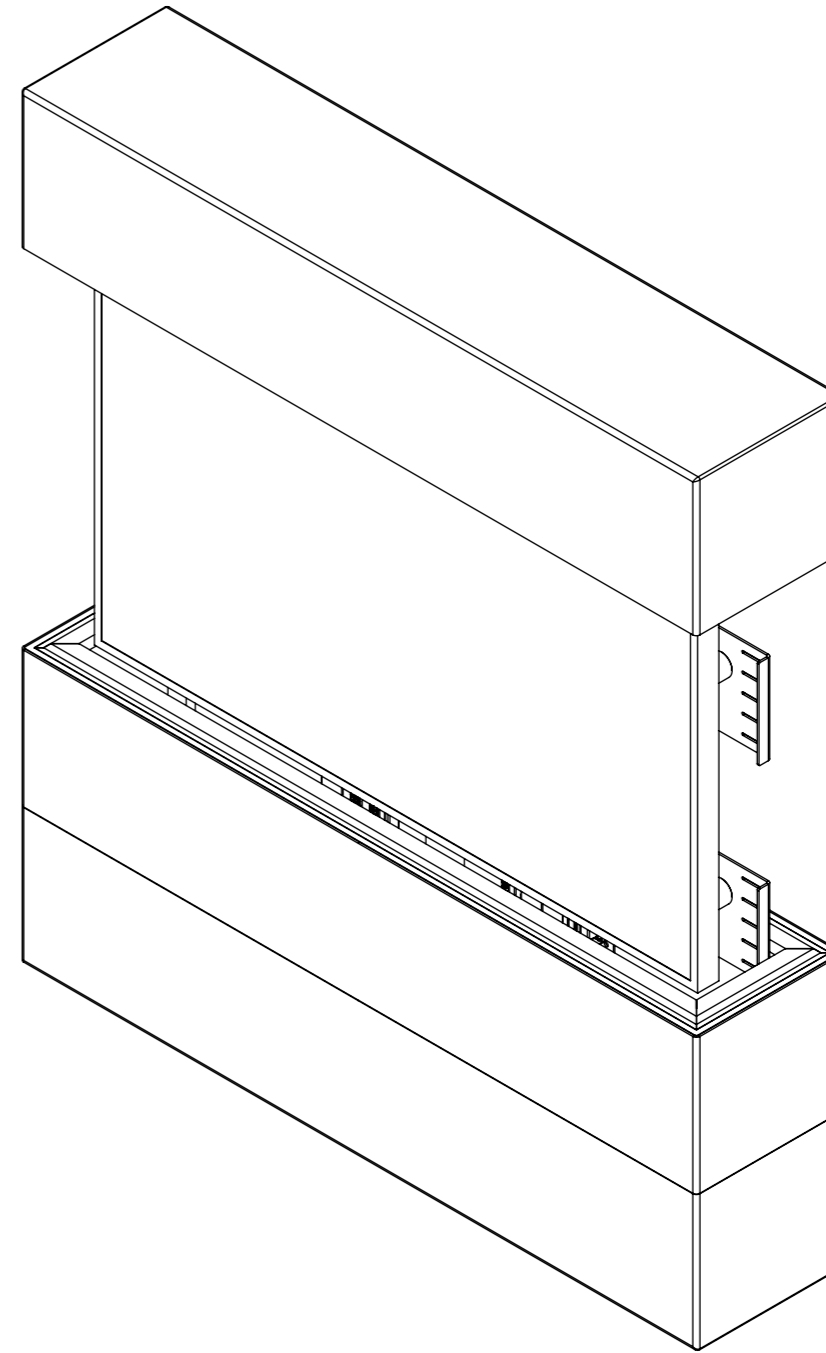
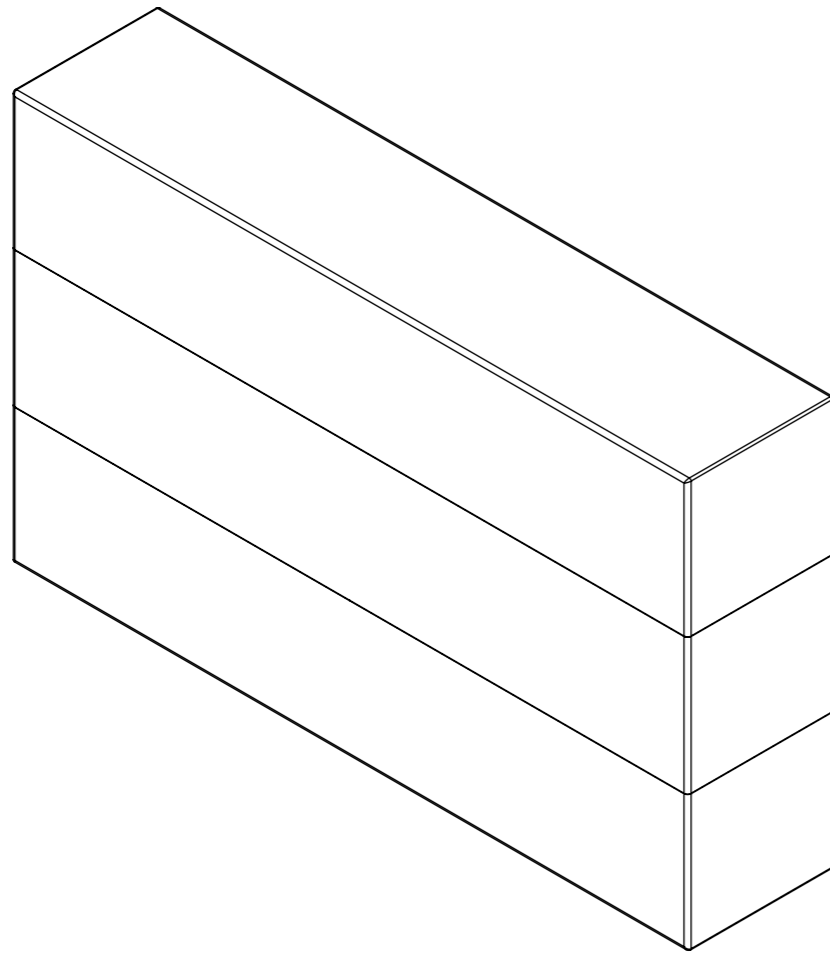


SBL-TERRACE 75

SPLITTING BOX LIFT



future automation



SBL-TERRACE 75

SPLITTING BOX LIFT



SPECIFICATION	MEASUREMENTS
Product Dimensions	642mm (25.3") x 443mm (17.4") x 80mm (3.1")
Maximum Screen Size	1100mm (43.3") W @ 90° - 1640mm (64.6") W @ 60°
Maximum Weight Capacity	100Kg (220lb) Screen + 50Kg (110lb) Upper Cabinet
Maximum Speed	100mm/s
Product Weight	TBC
Packaging Dimensions	TBC
Shipping Weight	TBC
Movement Type	Motorised
Power Supply Required	110V - 240V AC
Power Consumption Max.	120W
Power Consumption Standby	3W
Mounting Patterns Supported	VESA 600, 400, 300 W x 600, 400, 300 H
Control Options	IR Remote, RS232, Contact Closure, Schneider HMI touchscreen
Package Contents	Mechanism, Control Enclosure
Marine Suitable	Yes

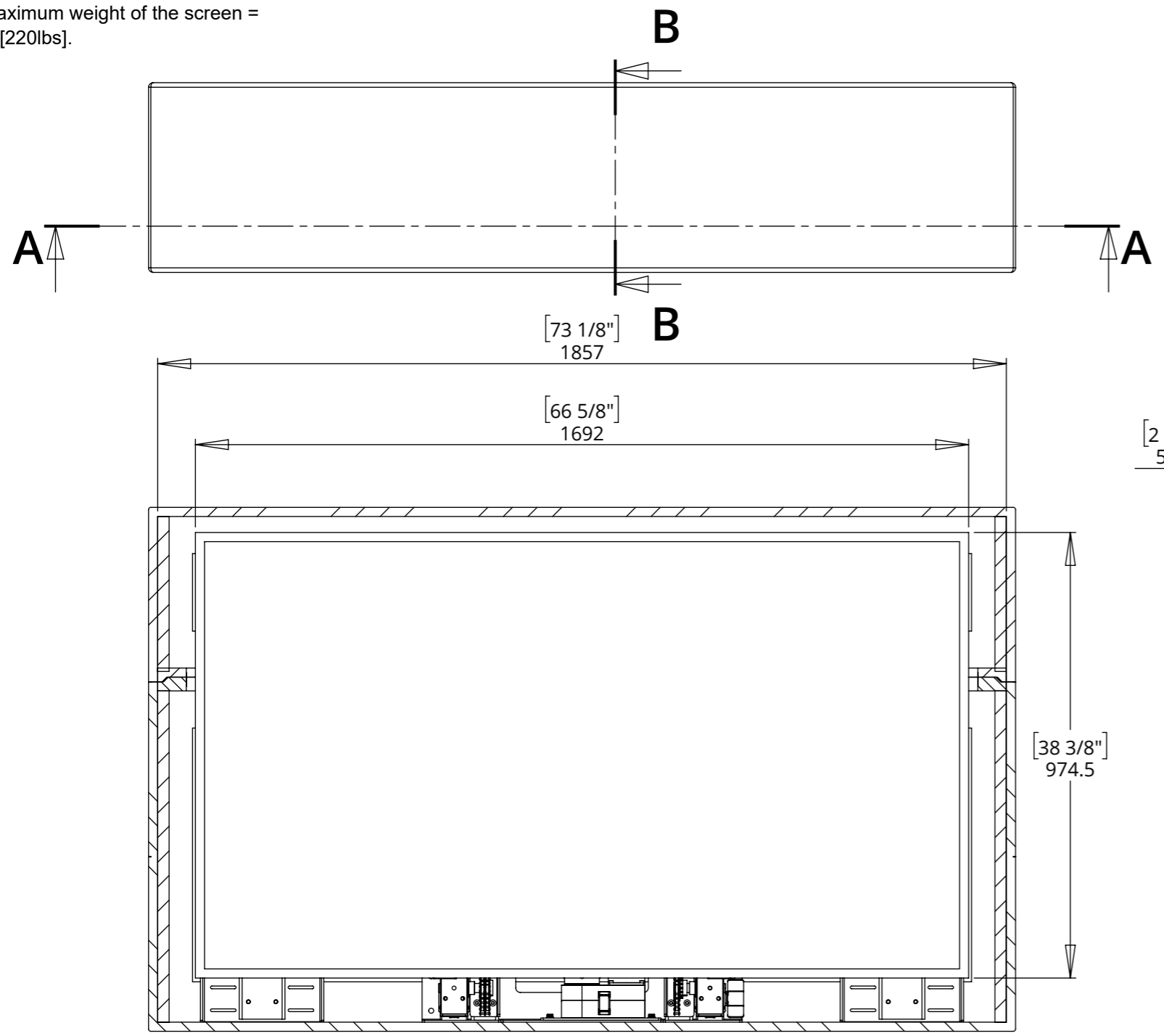
SBL-TERRACE 75

SPLITTING BOX LIFT

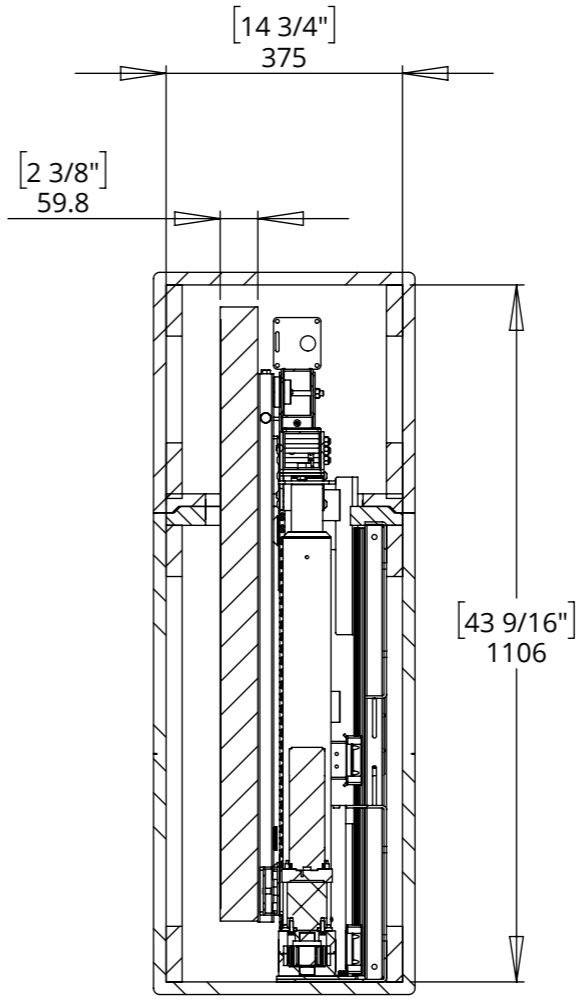


GENERAL DIMENSIONS

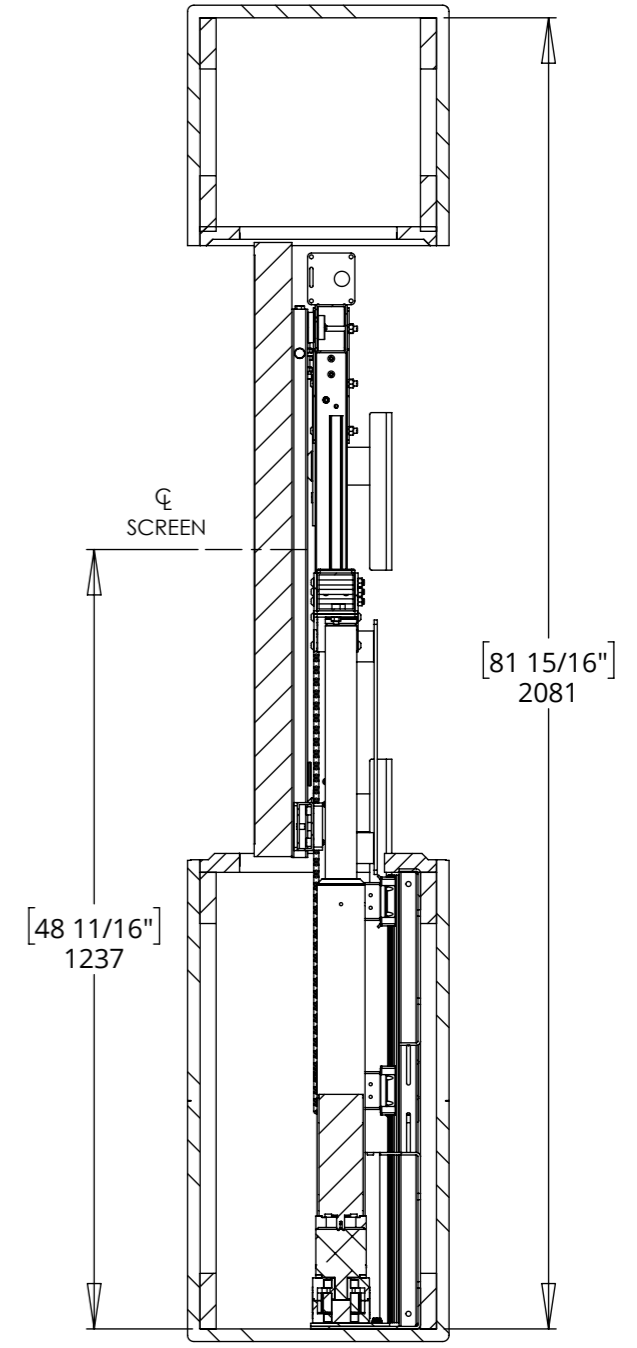
All cabinetwork shown is representative and must be supplied by others.
The maximum weight of the screen = 100kg [220lbs].



SECTION A-A



SECTION B-B



SECTION B-B

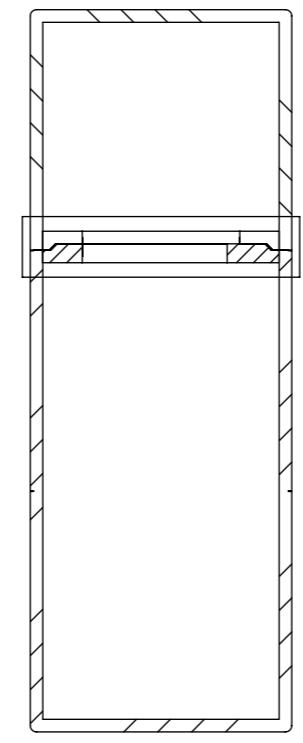
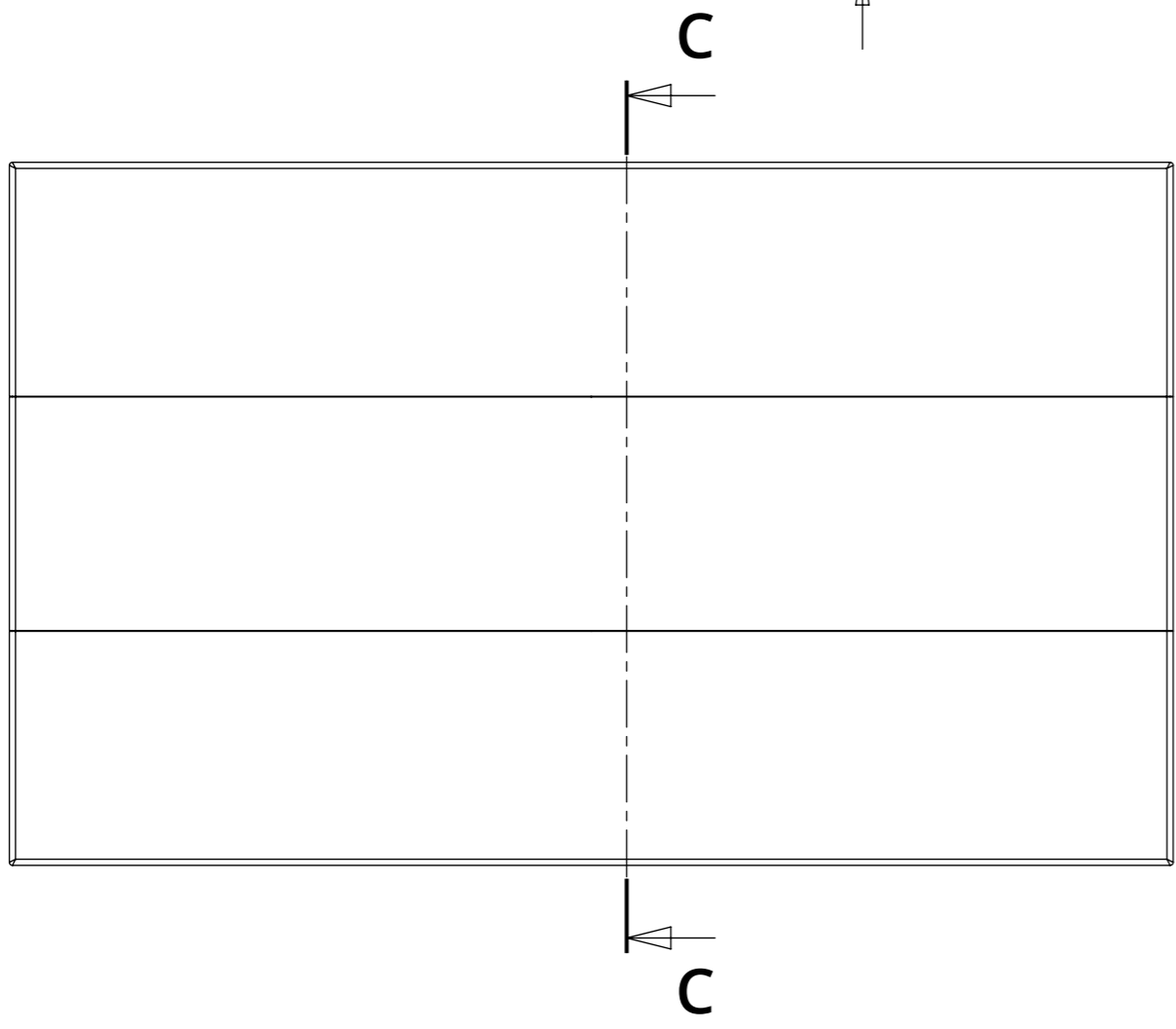
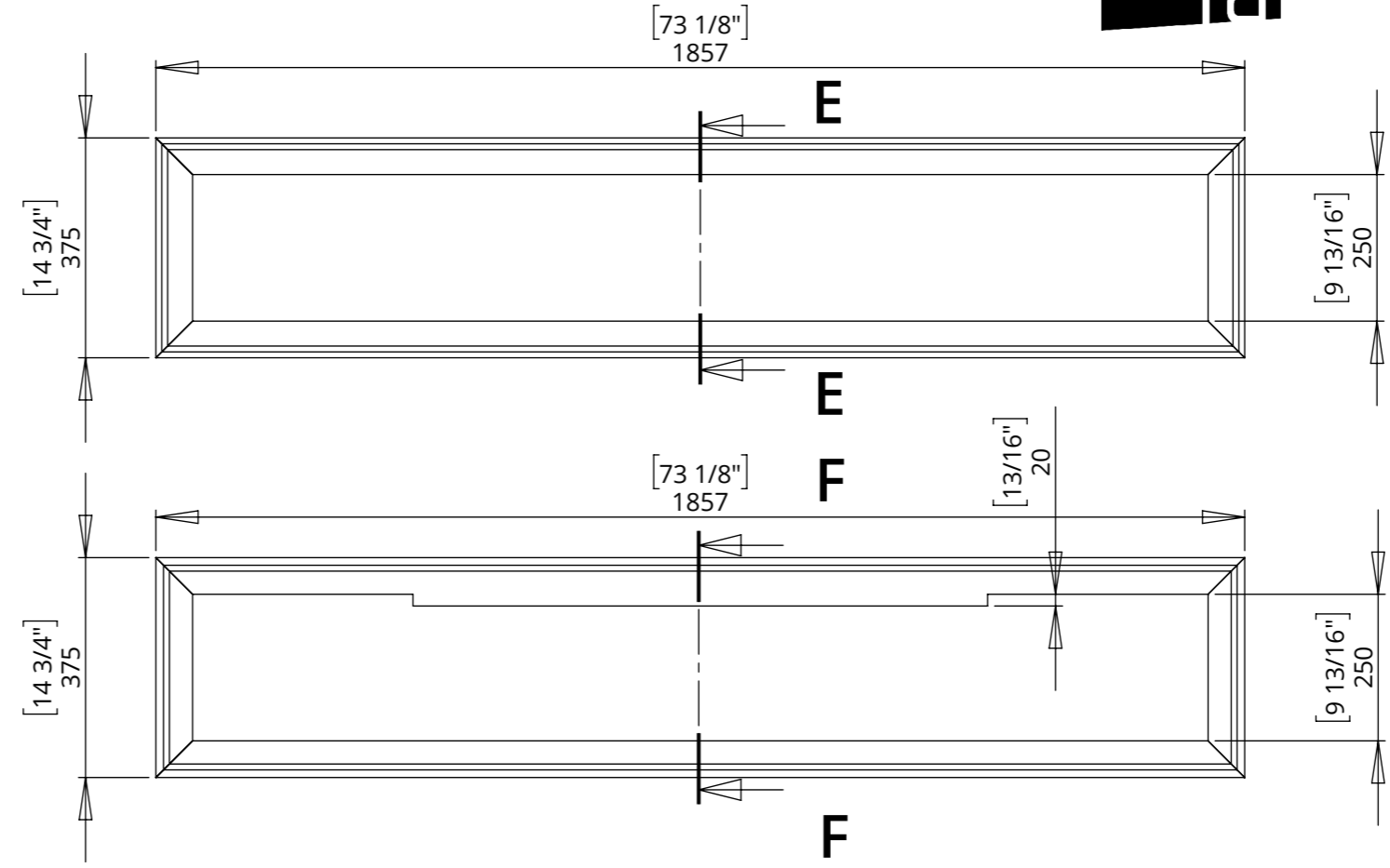
SBL-TERRACE 75 SPLITTING BOX LIFT



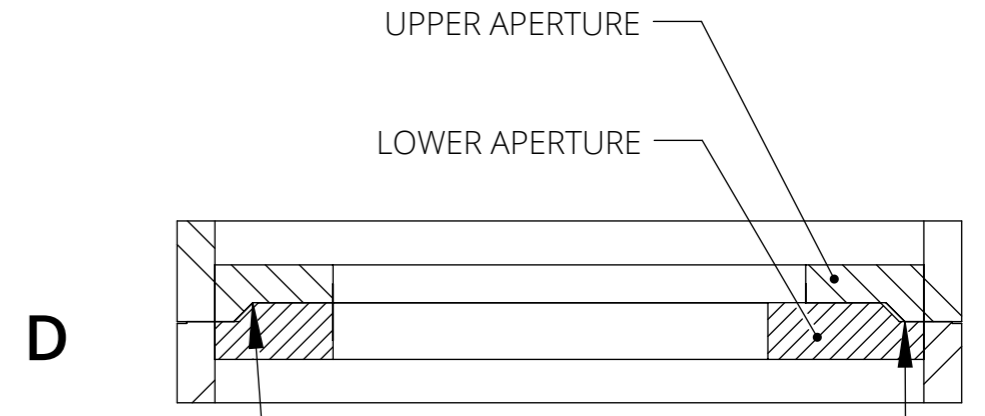
future automation

CABINET DETAILS

When the mechanism opens the upper 1/3 of the cabinet will raise up, leaving the lower 2/3 static. It is recommended that the cabinet is constructed from individual panels that can easily be removed. The front of the cabinet **MUST** be easily removable to gain access to the mechanism for installation and set up. **The maximum weight of the moving upper cabinet = 50kg [110lbs].** Aperture panels will be required on the underside of the upper cabinet and the top side of the lower cabinet. Details should be designed into these panels to aid alignment when the two sections meet in the closed position. Representative dimensions are shown



SECTION C-C



It is recommended that a chamfer detail is added to the perimeter of the upper and lower aperture panels to help align the two sections of cabinetwork as they meet in the CLOSED position.

SBL-TERRACE 75 SPLITTING BOX LIFT



CONTROL ENCLOSURE DETAILS

The control system for the mechanism will be housed in a metal enclosure with a reversible locking door - dimensions as shown.
This enclosure must be easily accessible and placed within 20m [66'] of the mechanism.
The control system will require a single 110 - 240VAC supply.

