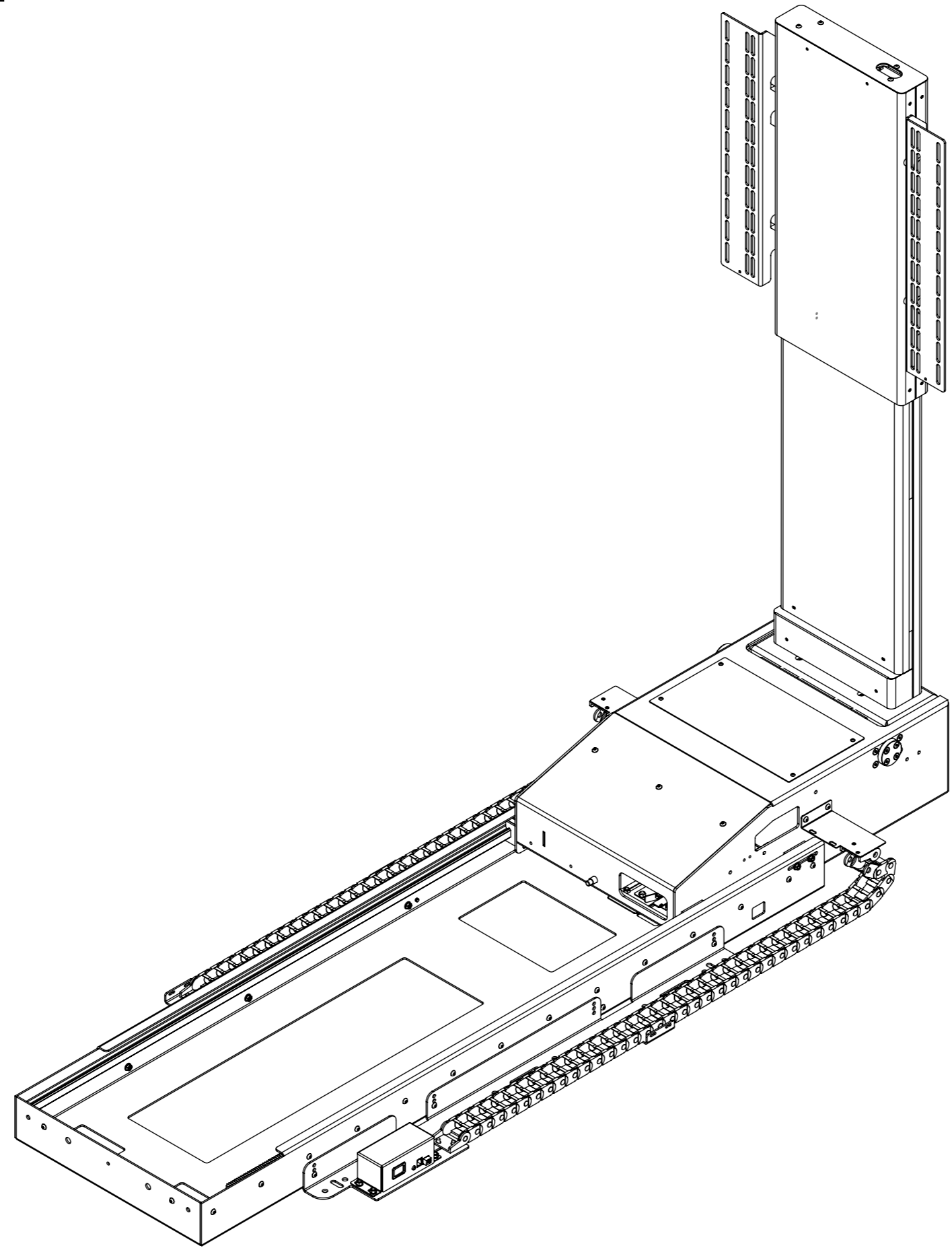


UBL UNDER BED LIFT



future automation



UBL UNDER BED LIFT



SPECIFICATION	MEASUREMENTS
Product Dimensions	1560mm (61.42") x 695mm (27.36") x 220mm (8.66")
Maximum Screen Size	1250mm (49.21") x 800mm (31.49") x 70mm (2.75")
Maximum Weight Capacity	40Kg (88lbs)
Minimum Height Required	255mm (10.03")
Minimum Length Required	1800mm (70.86")
Product Weight	80Kg (176lbs)
Packaging Dimensions	1660mm (65.35") x 810 (31.88") x 510mm (20.07")
Shipping Weight	114Kg (251lbs)
Movement Type	Motorised
Power Supply Required	110V - 240V AC
Power Consumption Max.	100W
Power Consumption Standby	1.5W
Mounting Patterns Supported	VESA 400, 300, 200 W x 400, 300, 200 H
Control Options	IR Remote, RS232
Product Options / Features	Specific B&O and Loewe mounts / adapters, Custom RAL paint finishes, Marine suitable version
Package Contents	Mechanism, IR remote control
Marine Suitable	No

UBL UNDER BED LIFT

Design Highlights

Sophisticated electronics allow for favourite viewing height to be programmed via the IR remote control.

Mechanism allows bottom of screen to be elevated up to 940mm [37"] above the floor.

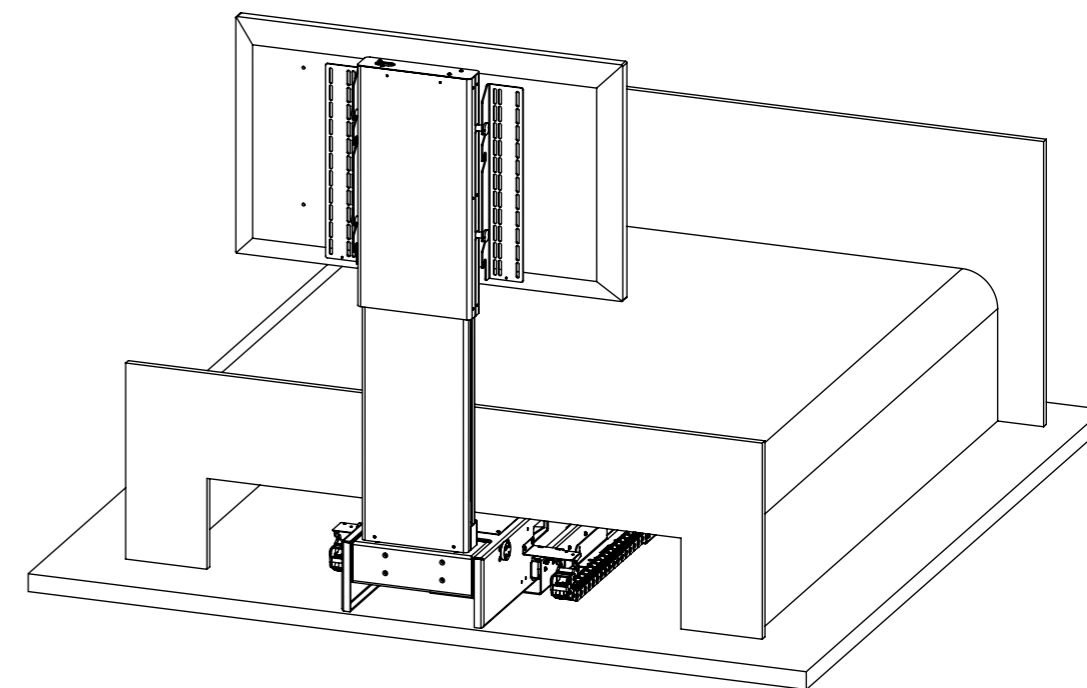
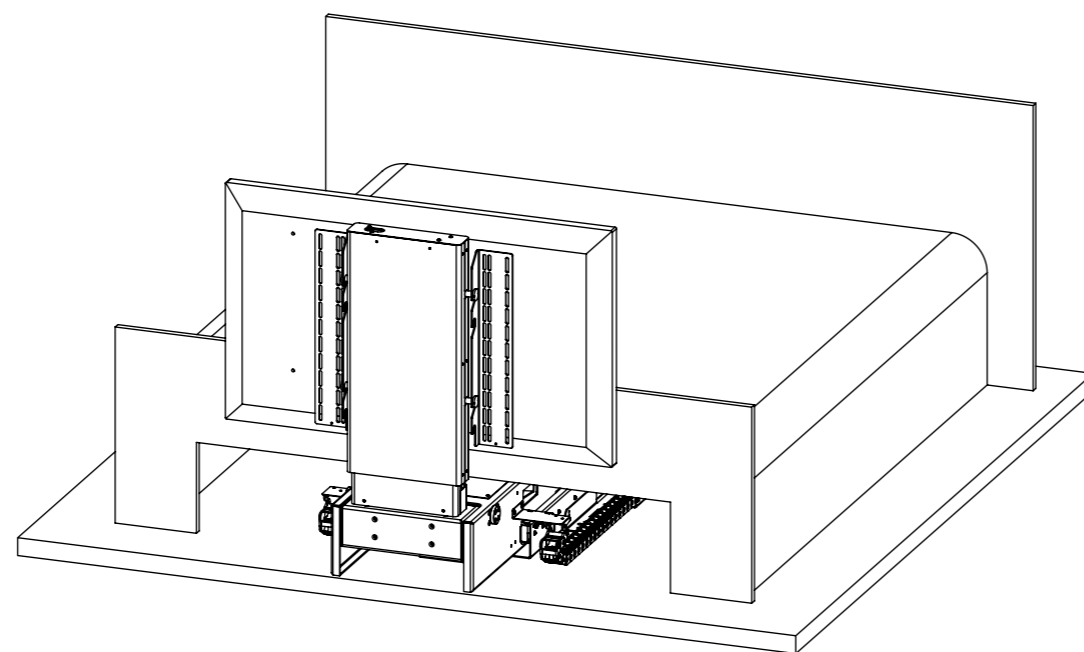
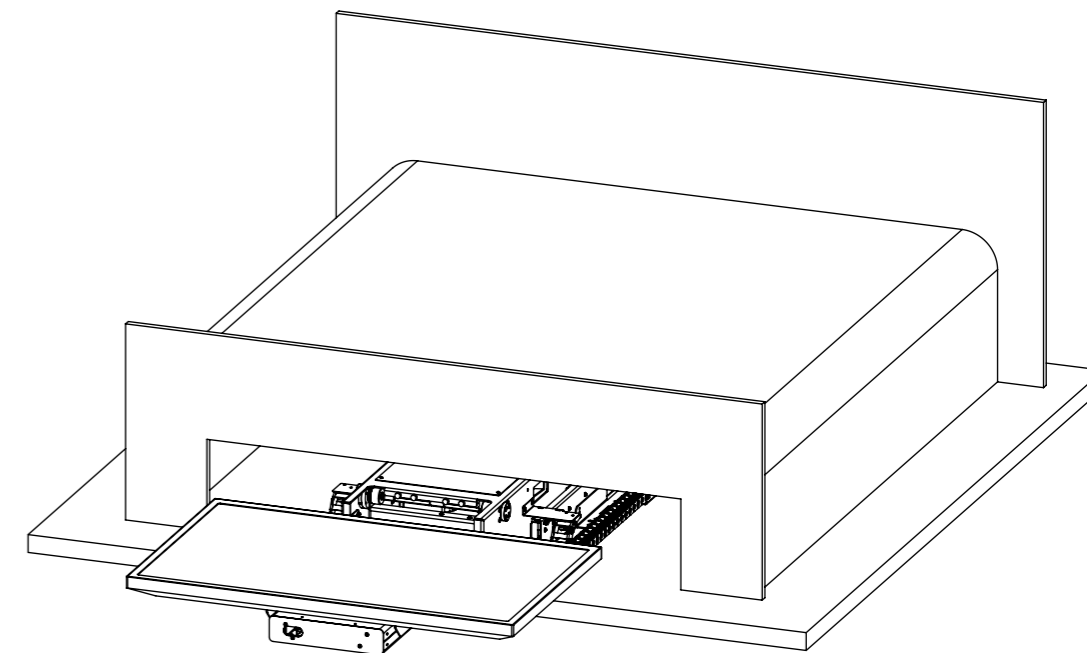
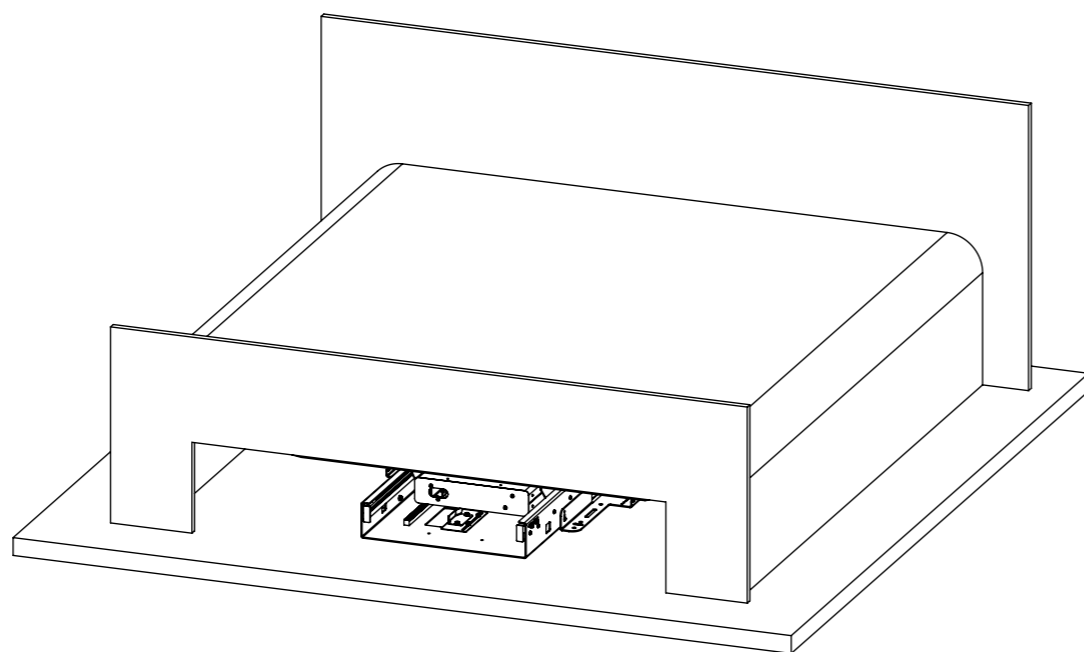
All the power and signal cables for screen and mechanism can be concealed within the mechanism

Quiet and smooth action from under bed to maximum movement.

Standard mechanism screen mount suitable for VESA 400x400, 400x300, 300x300, and 200x200 mounting.

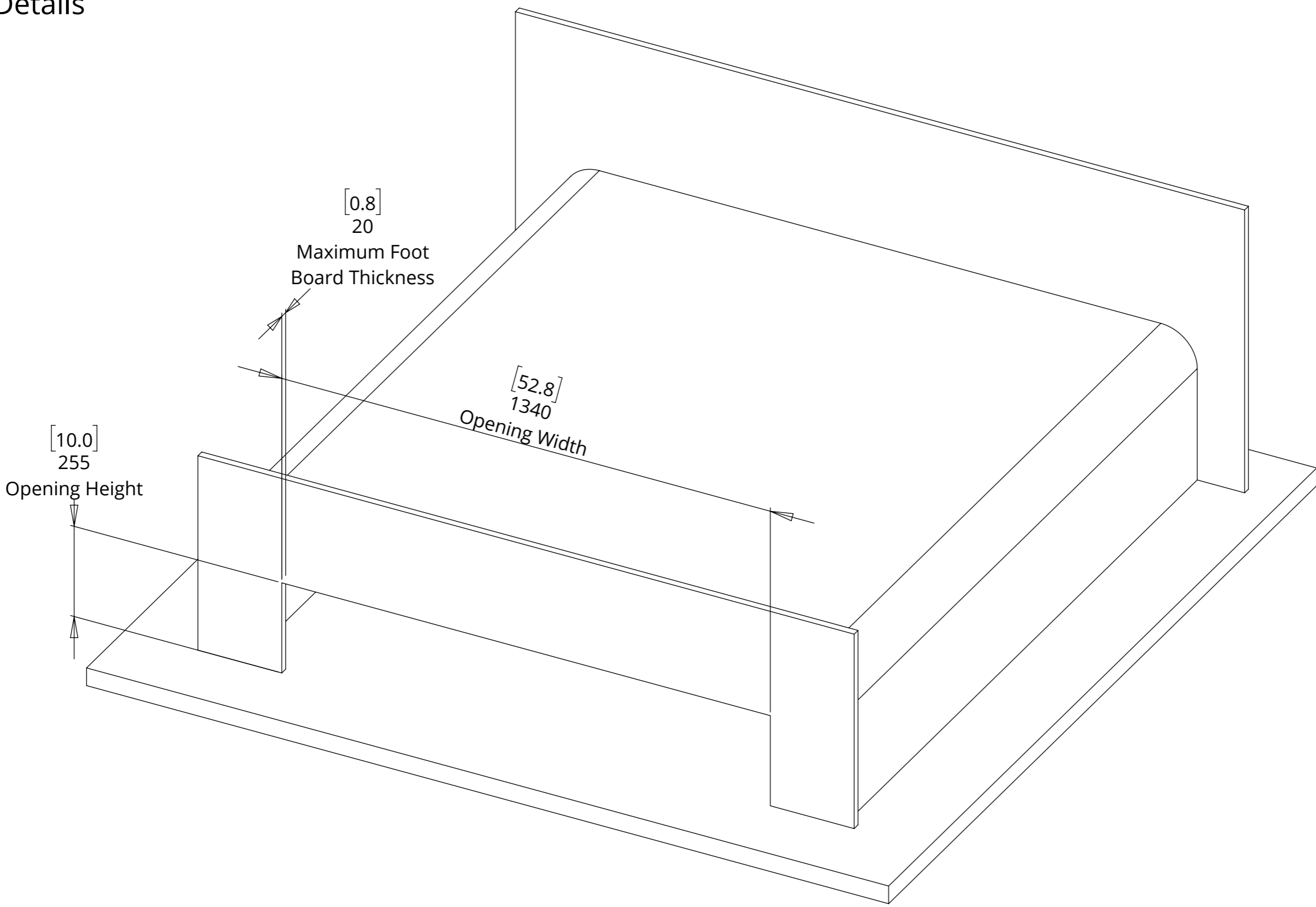
An advance control system allows the lift mechanism to be easily controlled via home automation systems such as Crestron and AMX. Two way communication is also possible via RS232.

Many mounting options available for Loewe and Bang & Olufsen screens.



UBL UNDER BED LIFT

Opening Details



UBL UNDER BED LIFT

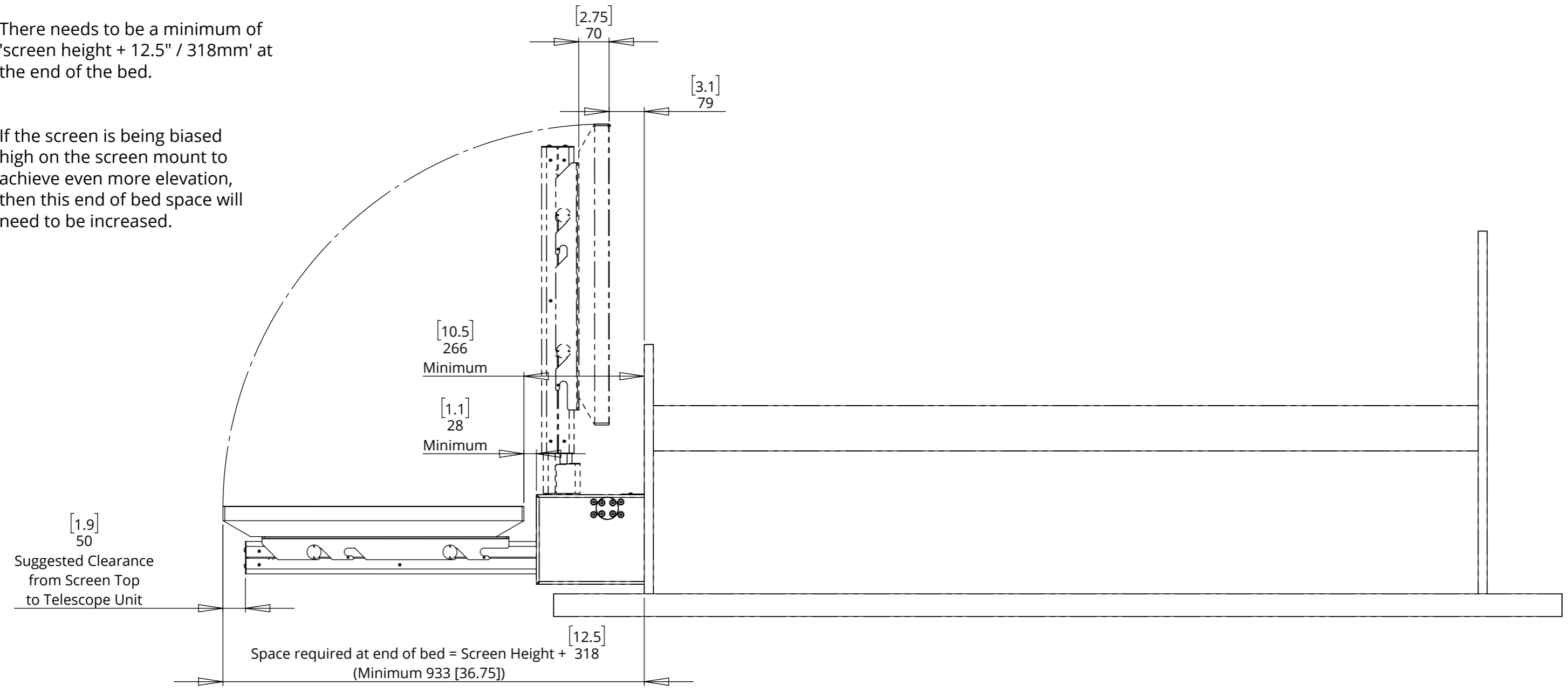


End of Bed Space Details

At the end of the bed there needs to be enough space for the mechanism to extend from under the bed.

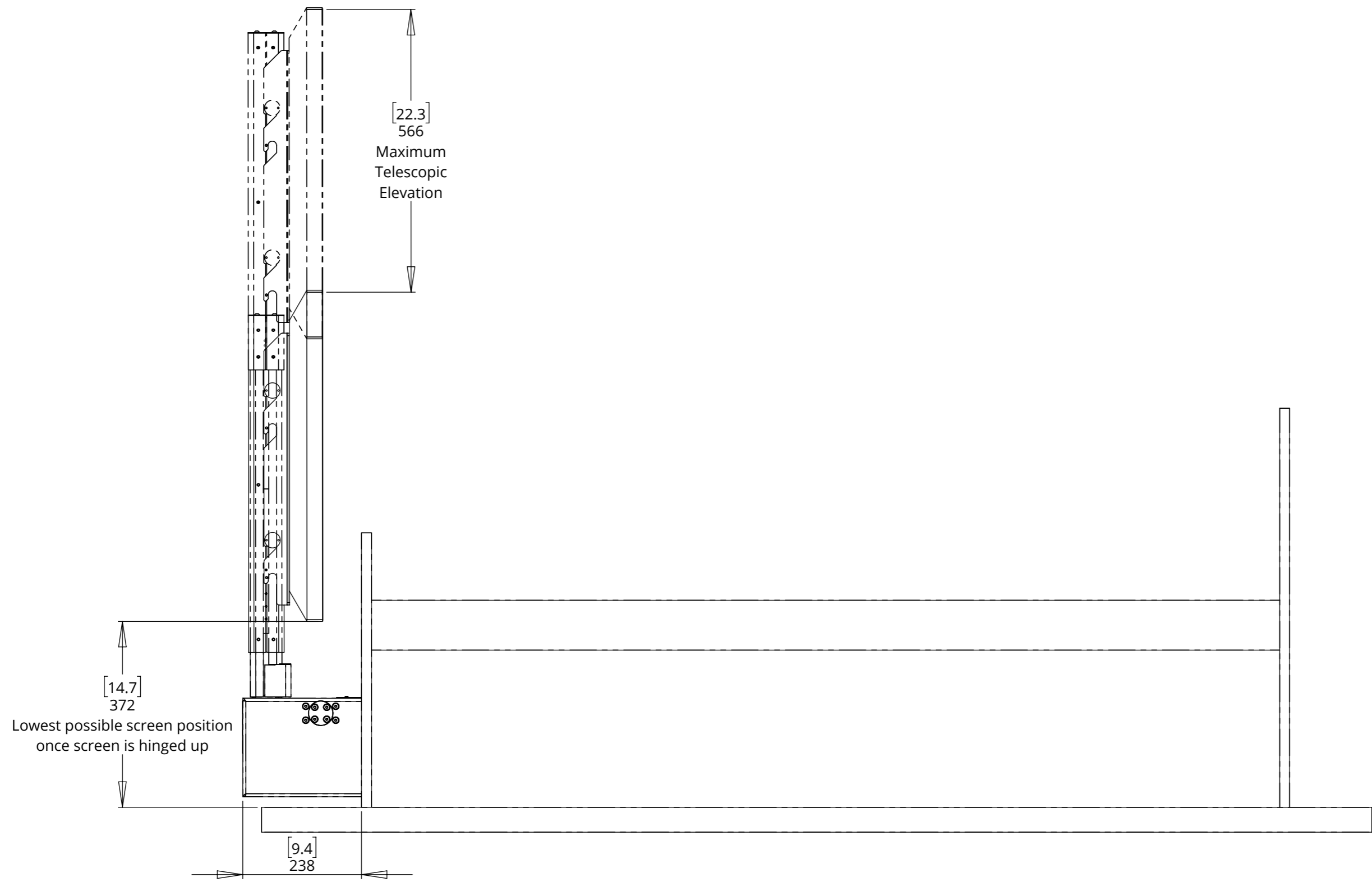
There needs to be a minimum of 'screen height + 12.5" / 318mm' at the end of the bed.

If the screen is being biased high on the screen mount to achieve even more elevation, then this end of bed space will need to be increased.



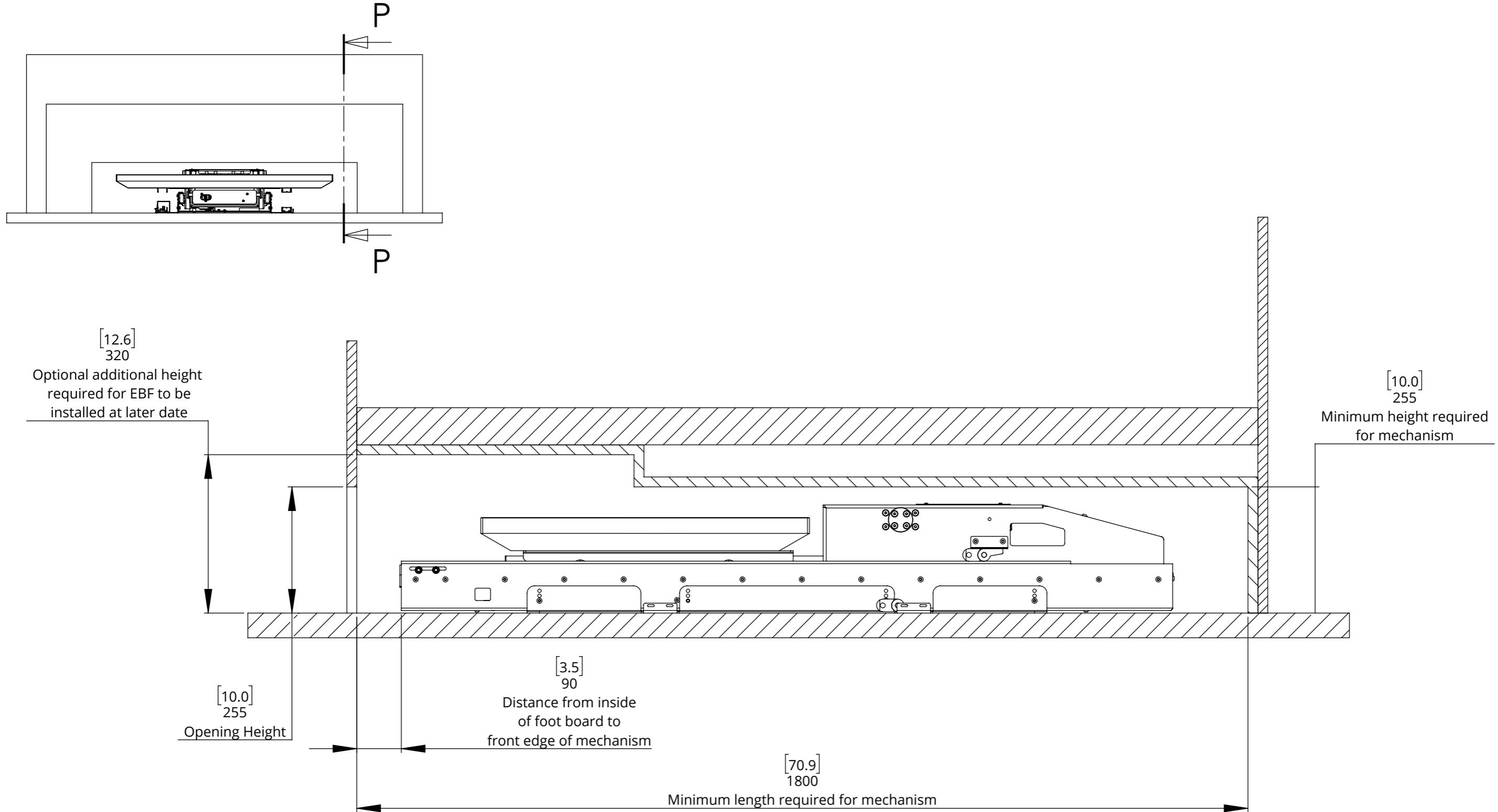
UBL UNDER BED LIFT

Telescope Elevation Details



UBL UNDER BED LIFT

Under Bed Space Details



UBL UNDER BED LIFT



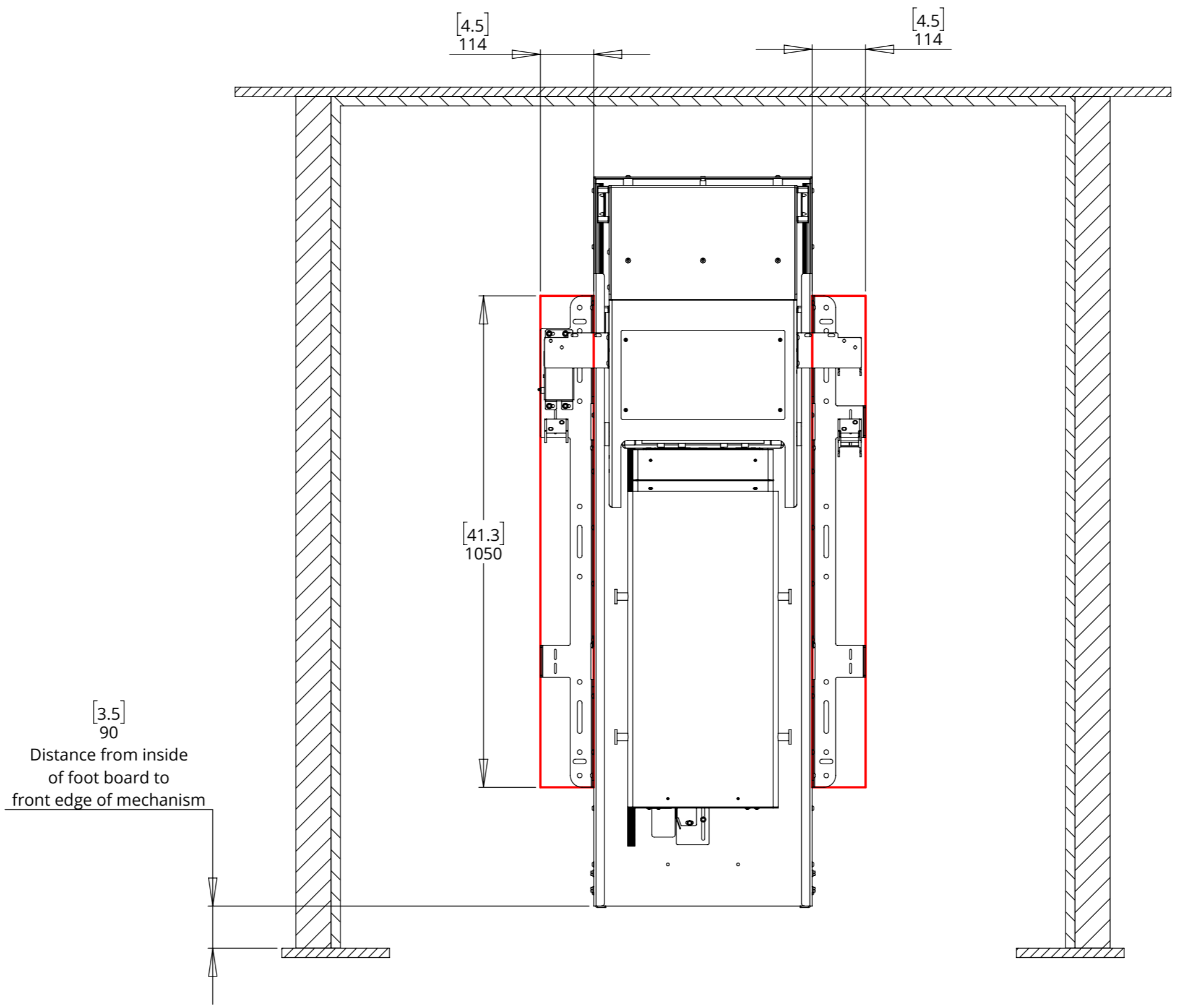
Fixing Location Details

Areas outlined in red show areas where fixings need to be made to the floor below.

These areas should ideally be wooden surfaces so that the mechanism components can be screwed down in place.

For instances where the mechanism can't be attached to the floor a rear wall fixing can be provided

These areas also need access from above in order to get the fixings in place.

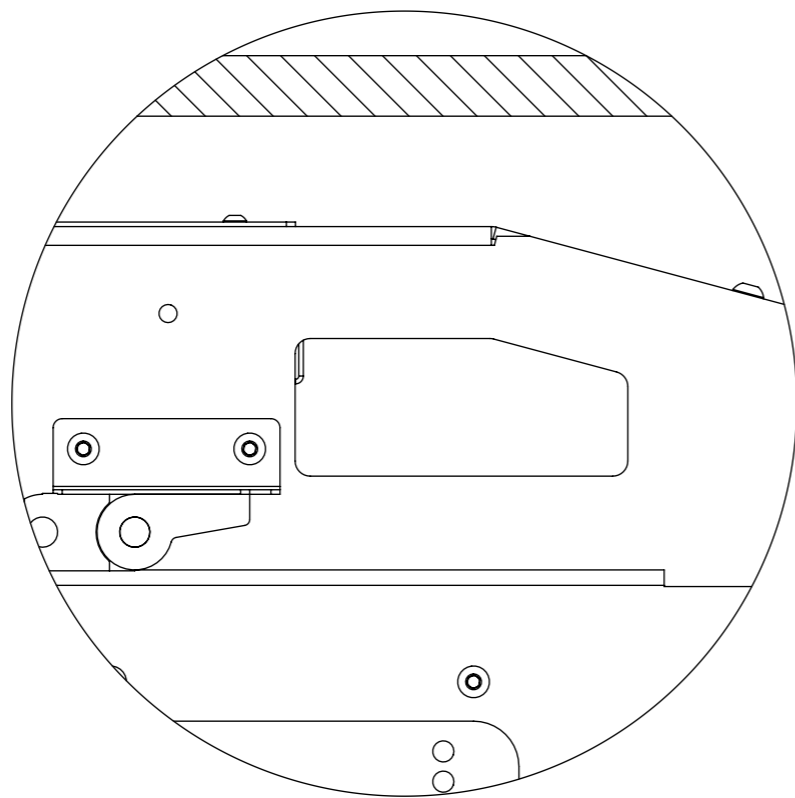
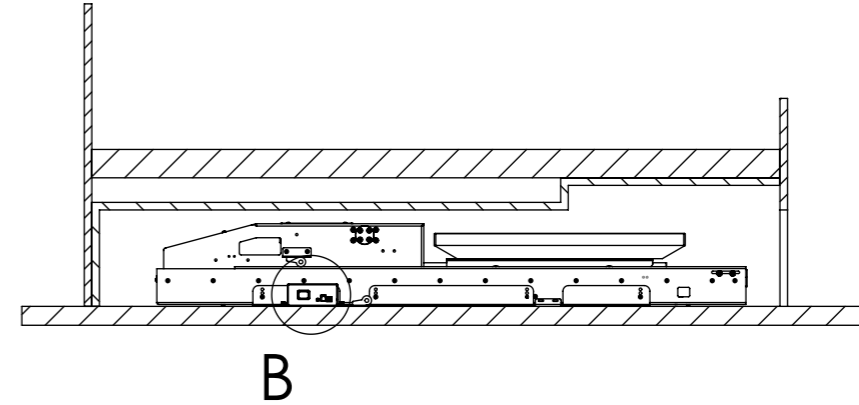
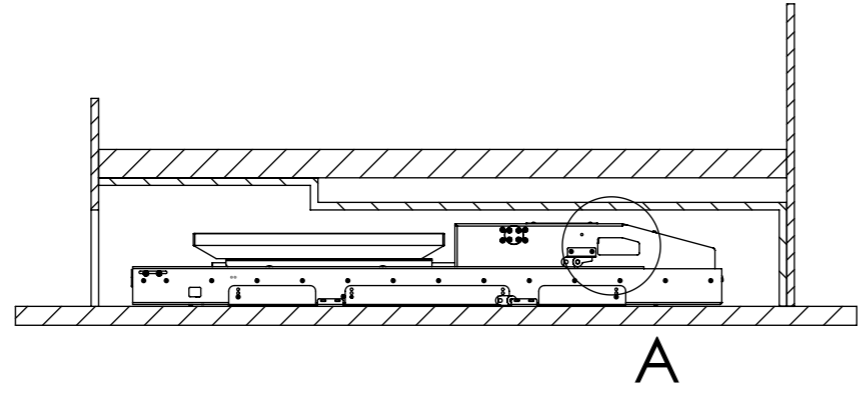


UBL UNDER BED LIFT

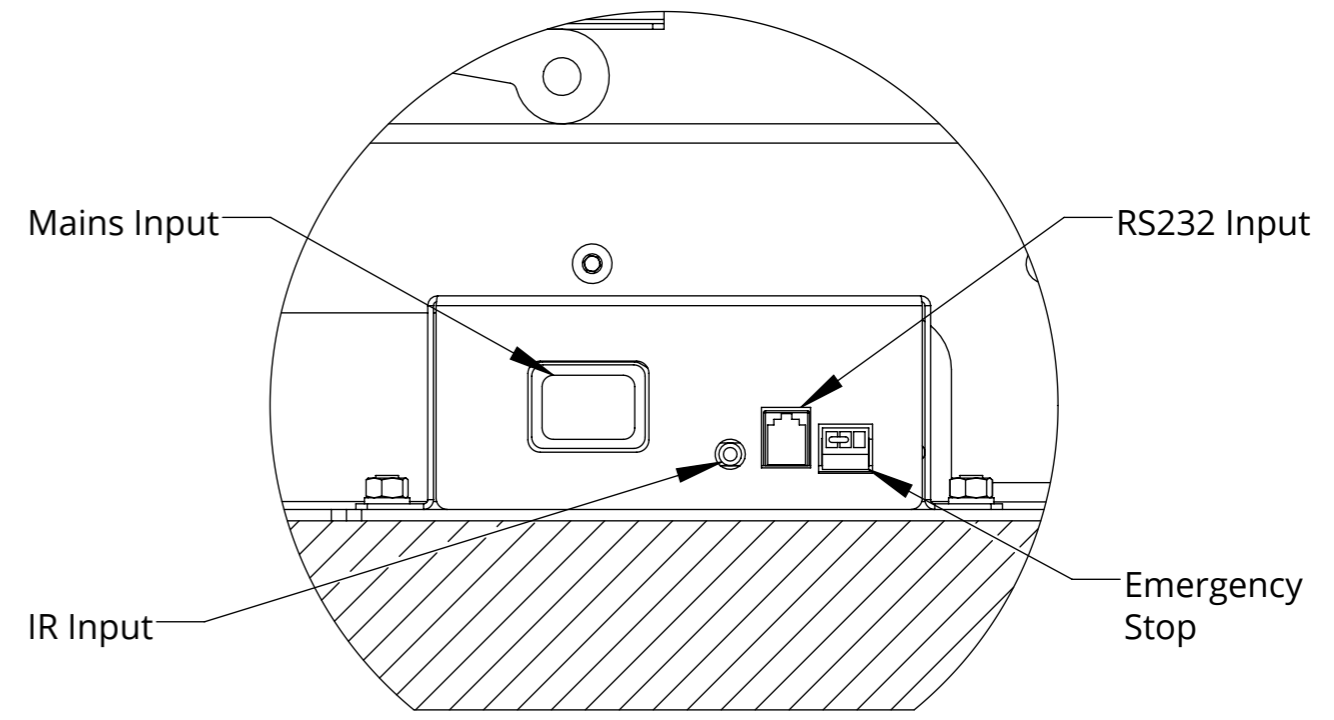
Cable Management

Detail A shows the hole in which the end customers cabling will enter the mechanism after being passed through the cable management track.

Detail B shows the where the mains power, IR and ethernet cables will need to be inserted.



DETAIL A



DETAIL B