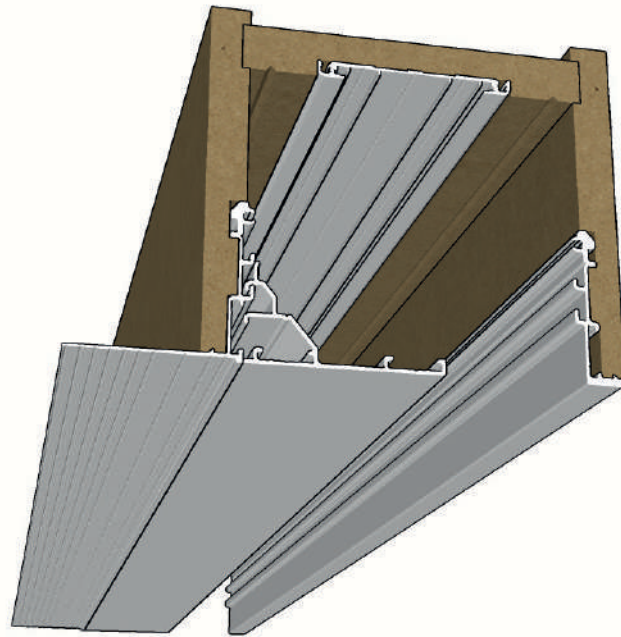




future automation

UCH

UNICHANNEL MODULAR IN-CEILING SHADE
CONCEALMENT SYSTEM



INSTALLATION INSTRUCTIONS

ISSUE 001

SAFETY DISCLAIMER

IMPORTANT SAFETY INSTRUCTIONS BELOW

WARNING: Failure to provide adequate structural strengthening, prior to installation can result in serious personal injury or damage to the equipment. It is the installer's responsibility to ensure the structure to which the component is affixed can support four times the weight of the component and any additional apparatus mounted to the component.

WARNING: Do not exceed the weight capacity for this product as listed below. This can result in serious personal injury or damage to the equipment. It is the installer's responsibility to ensure that the total combined weight of all attached components does not exceed that of the maximum figure stated.

WARNING: Risk of death or serious injury may occur when children climb on audio and/or video equipment or furniture. A remote control or toys placed on the furnishing may encourage a child to climb on the furnishing and as a result the furnishing may tip over on to the child.

WARNING: Risk of death or serious injury may occur. Relocating audio and/or video equipment to furniture not specifically designed to support audio and/or video equipment may result in death or serious injury due to the furnishing collapsing or over turning onto a child or adult.

ADDITIONAL WARNINGS:

1. Keep all documentation/instructions after fitting.
2. Read all technical instructions fully before installation and use. It is the installer's responsibility to ensure that all documentation is passed on to the end user and read fully before operation.
3. Do not use near water or outdoors unless the product has been specifically designed to do so.
4. Protect any cables or cords being used near this bracket from being walked on or pinched to prevent damage and risk of injury.
5. Use this product only for its intended purpose as described in the product instructions and only use attachments/accessories specified by the manufacturer.
6. Do not operate the product if it is damaged in any way, liquid has been spilled or objects have fallen into the apparatus, the apparatus has been exposed to rain or moisture, does not operate normally, or has been dropped. Contact the original installer/manufacturer to arrange repair or return.

WARNING - To reduce the risk of burns, fire, electric shock, or injury to persons:

1. Clean only with a dry cloth and always unplug any electrical items being used in conjunction with this product before cleaning.

Future Sound & Vision trading as Future Automation intend to make this and all documentation as accurate as possible. However, Future Automation makes no claim that the information contained herein covers all details, conditions or variations, nor does it provide for every possible contingency in connection with the installation or use of this product. The information contained in this document is subject to change without prior notice or obligation of any kind. Future Automation makes no representation of warranty, expressed or implied, regarding the information contained herein. Future Automation assumes no responsibility for accuracy, completeness or sufficiency of the information contained in this document.

PRODUCT WARRANTY & RISK ASSESSMENT

WARRANTY INFORMATION

WARNING - The warranty offered for this product shall be annulled if the product is used improperly or in a way that is in breach of our Terms of Service.

Future Automation provides warranty for the mechanism you purchased for the period of **24 months** from the date of purchase, provided that it isn't used for unintended purposes.

Under the warranty, Future Automation aims to either solve the issue remotely (via telephone or email support) or if the mechanism requires a part, arrange a visit to your premises by a Future Automation approved engineer or send replacement items where appropriate.

Warranty repairs will be carried out as quickly as possible, but subject to parts availability. This warranty period is respectively extended for the period of a repair.

A malfunctioning product must be cleaned and placed into suitable packaging to protect against transit damage before organising delivery to a repair workshop.

All the complaints about defects must be submitted to the vendor/installer that sold this product, rather than directly to the manufacturer.

Any part of your system that needs to be replaced during a warranty repair becomes the property of Future Automation.

The warranty does not cover the following:

- Damages resulting from improper product use or maintenance.
- Repairs carried out by unauthorized persons.
- Natural wear and tear during operation.
- Damages caused by the buyer.
- Accidental damages caused by a customer or damages caused as a result of careless attitude or usage, or damages caused by natural disasters (natural phenomena).
- Any electrical, or other environmental work external to your Future Automation mechanism including power cuts, surges etc.
- Additional items not supplied by Future Automation although they may have been supplied together by the retailer
- Any 3rd party software products controlling your mechanism
- Any transfer of ownership. Warranty is provided only to the initial purchaser.
- Compensation for loss of use of the product, and consequential loss of any kind.

A separate Safety and Servicing Information document is provided with these instructions (additional copies can be found at www.futureautomation.co.uk/safety), and this document **MUST** be filled out by the approved Future Automation Dealer who is installing the product. This Warranty Sheet must be held by the end user for the duration of the products life and will be referred to during servicing or warranty queries.

The Safety and Servicing Information document also contains two Service History Forms that must be filled in by the approved Future Automation dealer who is performing the first required yearly service of this product.

One copy of the Service History Form must be held by the customer (along with the Warranty Sheet) and a duplicate copy must be held by the approved Future Automation dealer that performed the service. Missing and/or mismatching documents may delay or invalidate warranty claims.

Additional Service History Forms can be found on the Future Automation website for further yearly services.

RISK ASSESSMENT INFORMATION

It is the installer's responsibility to perform a risk assessment of installed products. Future Automation can provide guidelines to installers/dealer about what should be included in a risk assessment, but due to the individual nuances of each location/site, Future Automation cannot provide a full list of areas to risk assess.

For full risk assessment and safety information please view our Safety and Servicing guide available at www.futureautomation.net/safety

PACKAGE CONTENTS

1 - UniChannel Pack

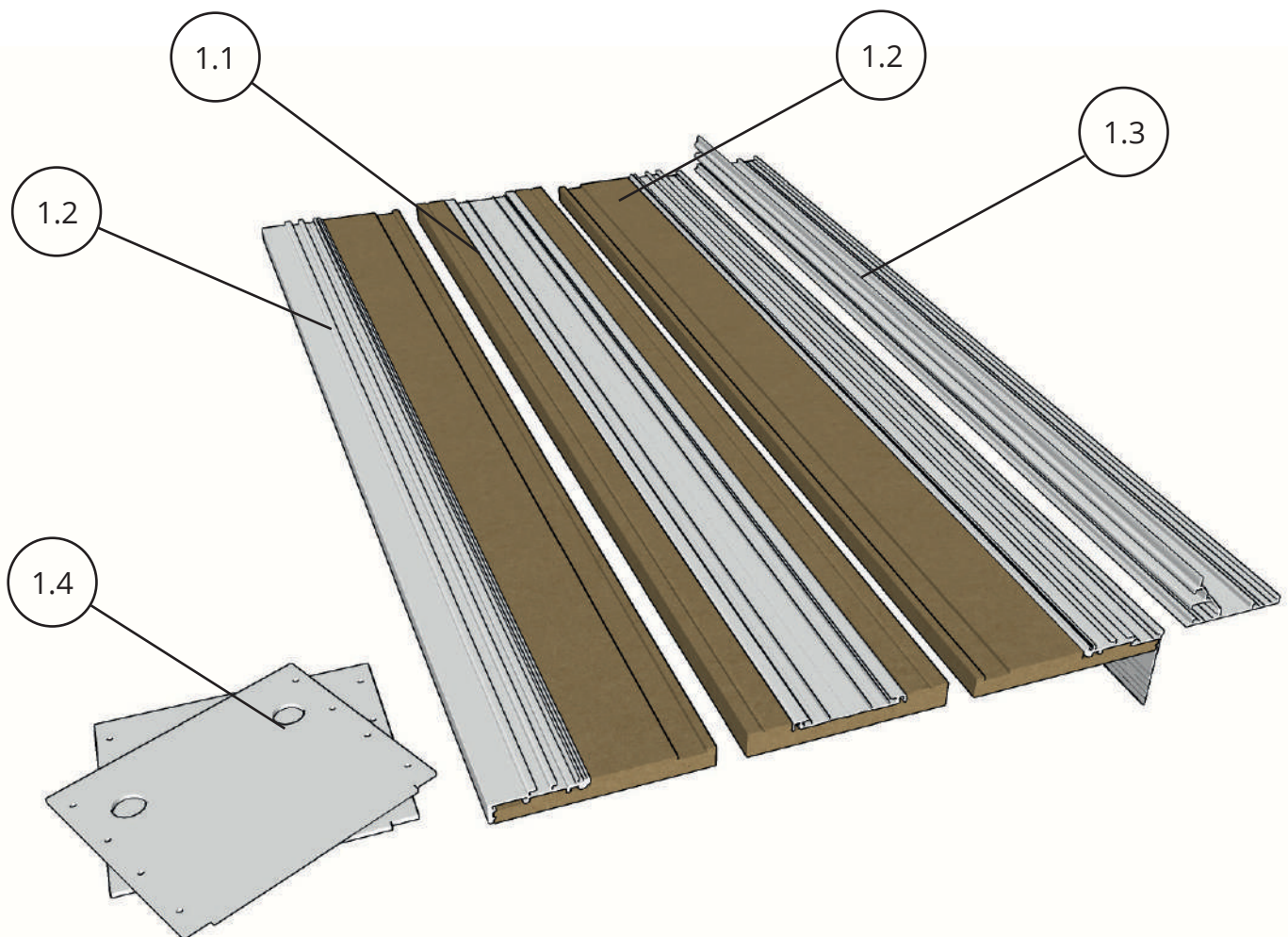
- 1.1 - Qty 1 - UniChannel Top
- 1.2 - Qty 2 - UniChannel Side*
- 1.3 - Qty 1 - UniChannel Hook In Flap*
- 1.4 - Qty 2 - Aluminium or MDF UniChannel End Plates* †
- 1.5 - UniChannel Packing Spacers (Not Shown)

2 - Accessories/Fixings Kit (Not Shown)†

- 2.1 - Qty 50 - 4mm x 40mm Countersunk Wood Screws
- 2.2 - Qty 1 - UniChannel Coupler
- 2.3 - Qty 8 - M5 x 6mm Nylon Grub/Set Screws
- 2.4 - Qty 4 - M5 x 6mm Metal Grub/Set Screws

**UniChannel Edge Trims, End Plates and Flap may differ from those shown, depending on specification of UniChannel ordered.*

†UniChannel End Plates and Accessories/Fixings Kit may be packaged separately, depending on quantity of UniChannel ordered.



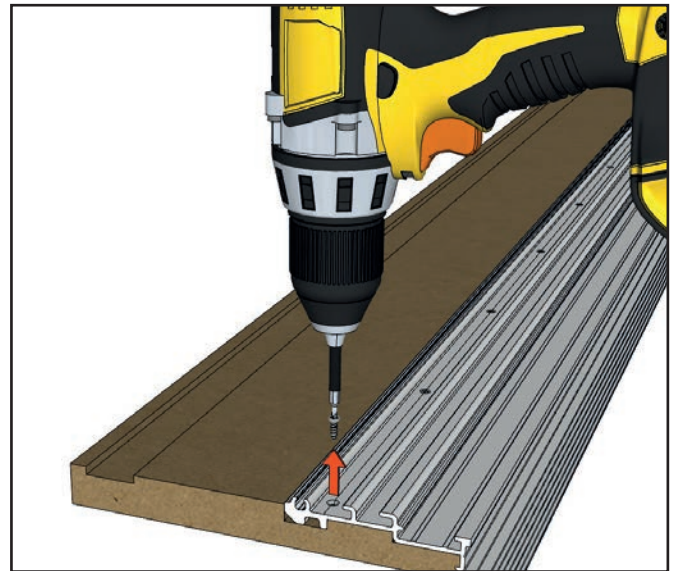
UNICHANNEL

(OPTIONAL) FITTING/REMOVING EDGE TRIMS

In certain situations or installation scenarios you may wish to remove and re-attach the aluminium edge trims from the from the UniChannel Sides.

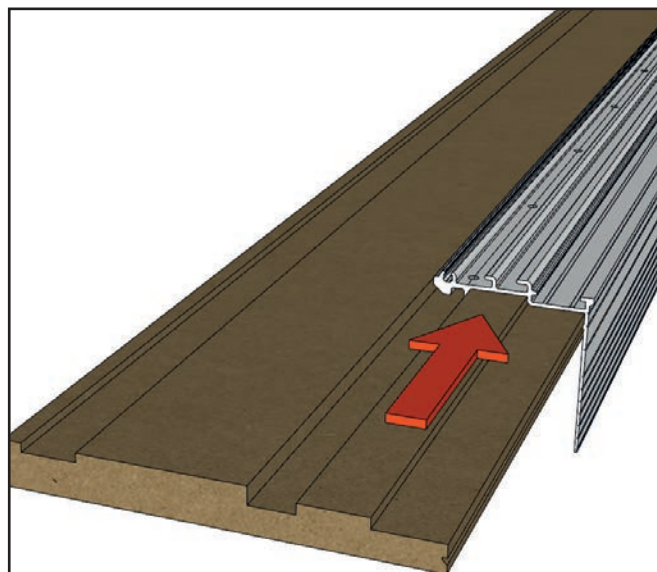
The aluminium trims can be removed from MDF sides by following the steps below;

- 1** UniChannel aluminium edge trims are factory fitted to the MDF sides using 3mm x 13mm countersunk wood screws. To detach an edge trim, remove all 3mm x 13mm screw using a screwdriver or drill fitted with a PZ1 bit.



- 2** Once all the 3mm x 13mm wood screws are removed, the aluminium edge trim can be removed from the MDF by sliding the trim along and off the end the MDF.

****Do not attempt to hinge or pry the trim off the MDF as this may result in damage to the MDF side.****



- 3** To reattach trims, slide the aluminium trim back on to the MDF side from one end and refit the 3mm x 13mm countersunk wood screws to secure the aluminium and MDF together.

****If using a battery/electric drill to refit the wood screws, make sure that a low torque setting is used to avoid overdriving the screws. ****

UNICHANNEL

(OPTIONAL) FIELD CUTTING UNICHANNEL

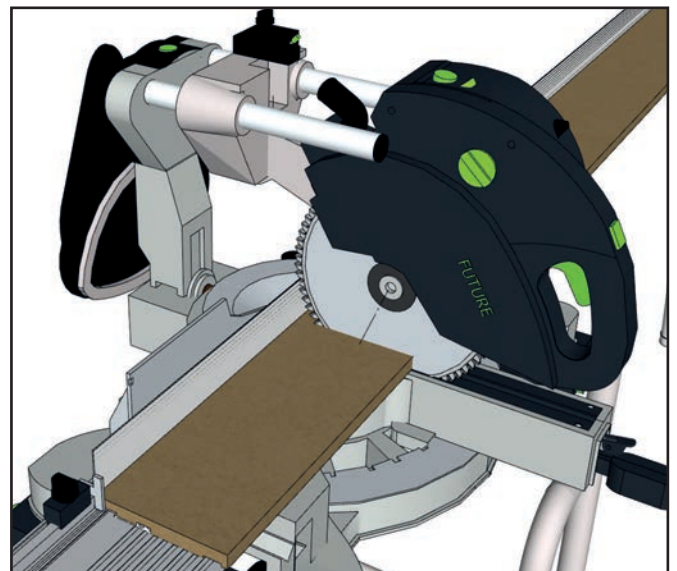
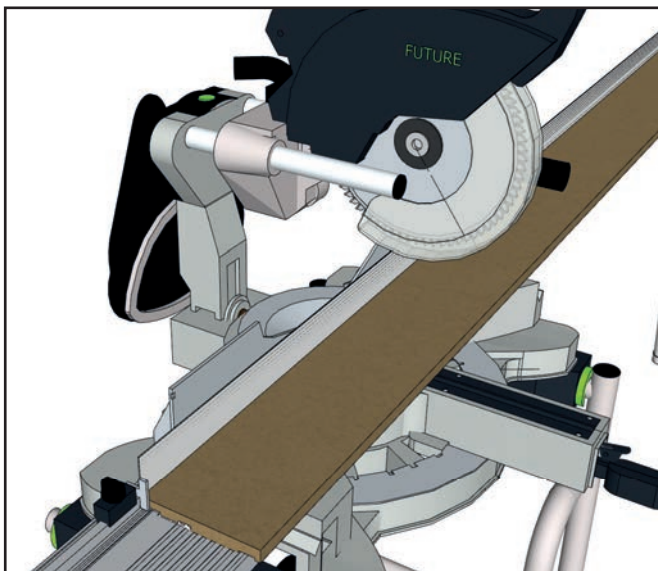
UniChannel is typically supplied in 2438mm/8ft long packs which can be cut down or joined together to form the final length pocket required. *For details on joining UniChannel please refer to the "(Optional) Joining UniChannel" section of the instructions.*

UniChannel can be field cut by following the steps below;

- 1** After unpacking and before assembling UniChannel, the MDF top and MDF sides can be cut down in length using a chop saw/mitre saw.

Calculate the required internal length of pocket that you require and cut both MDF sides and the MDF top to this length. The MDF sides and MDF top can be cut with the aluminium components still fitted as long as a suitable multi-material blade is being used.

****Make sure appropriate PPE is used while cutting and ensure that aluminium components are on the underside of the MDF, against a hard backstop while cutting for safety****



- 2** The length that the UniChannel MDF sides and MDF top are cut to will dictate the internal length of the assembled pocket.

During assembly you will fit metal or MDF end plates to each end of the pocket so the thickness of these end plates must be taken into account if you are trying to fit the pocket into an existing space.

- If fitting UniChannel Metal End Plates (Part Code: AEP) then the external length of the in ceiling part of the UniChannel pocket will be its **internal length + 5mm (0.2")**.

- If fitting UniChannel Horizontal MDF End Plates (Part Code: HMEP) then the external length of the in ceiling part of the UniChannel pocket will be its **internal length + 30mm (1.18")**.

- If fitting UniChannel Vertical MDF End Plates (Part Code: VMEP) then the external length of the in ceiling part of the UniChannel pocket will be its **internal length + 30mm (1.18")**.

- 3** When cutting down the Hook In Flap that is supplied with UniChannel, we recommended that the flap is cut approximately 2mm (0.1") shorter than the internal UniChannel length to allow an easier fit.

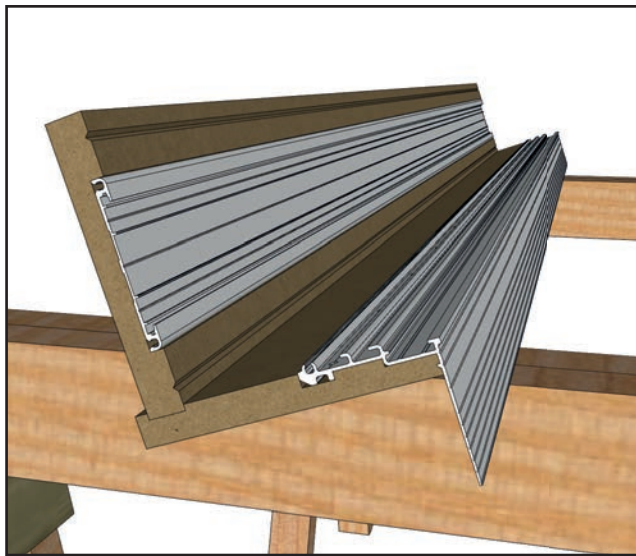
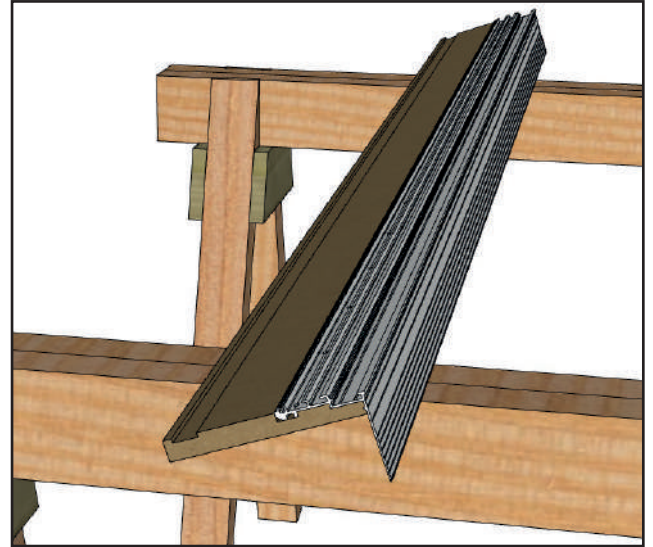
UNICHANNEL

STRAIGHT POCKET ASSEMBLY

UniChannel is supplied in a flat packed kit form to reduce shipping dimensions and reduce risk of shipping damage. The kit is designed to be assembled on site after cutting the individual pieces to final length (if required, see "Field Cutting UniChannel" section for more details).

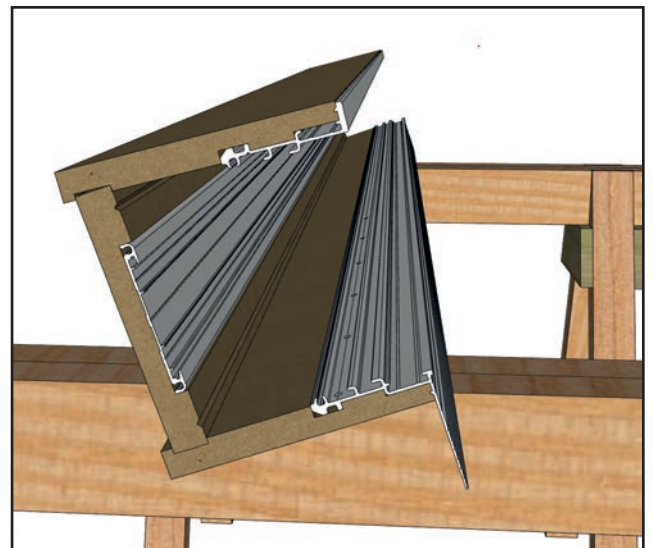
UniChannel is assembled by following the steps below;

- 1** Rest one of the UCH Sides on a flat work surface with the locating groove for the UCH Top facing upwards as shown.



- 2** Seat the UCH Top into the locating groove in the UCH Side, with the aluminium Bracket Mount Rail facing in the direction shown.

- 3** Place the second UCH Side on top of the other two pieces as shown, the locating groove should sit over the MDF Top and all three parts should hold themselves together loosely.



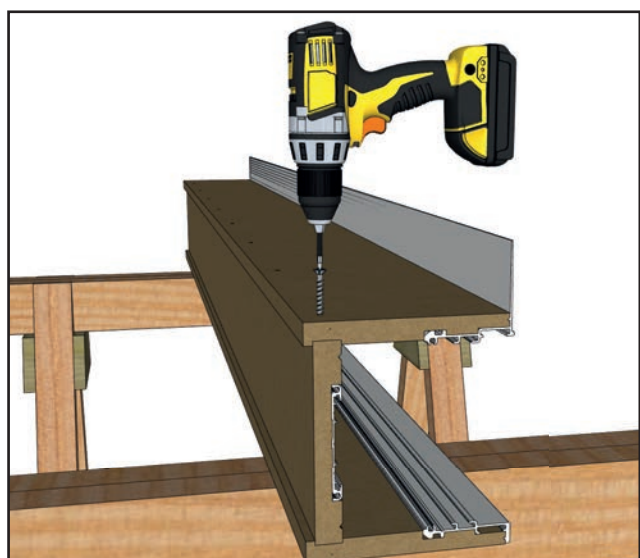
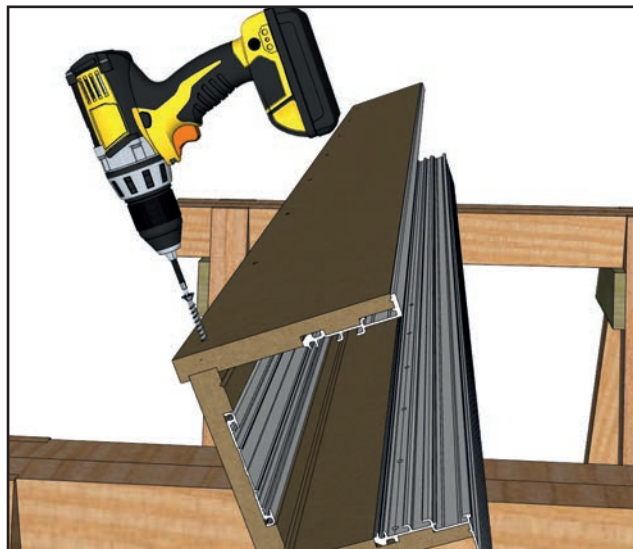
UNICHANNEL

STRAIGHT POCKET ASSEMBLY (CONT.)

Secure one of the MDF Sides to the MDF Top using the 4x40mm Countersunk Wood Screws from the UCH Fixings Packs. The UCH Side has predrilled holes along its length to locate these screws in the correct position.

4 Make sure that the ends of the MDF Top and MDF Sides are flush with each other before securing together.

The supplied wood screws will self countersink into the MDF side - Make sure they are driven in just far enough to sit flush with the surface of the MDF without over driving.



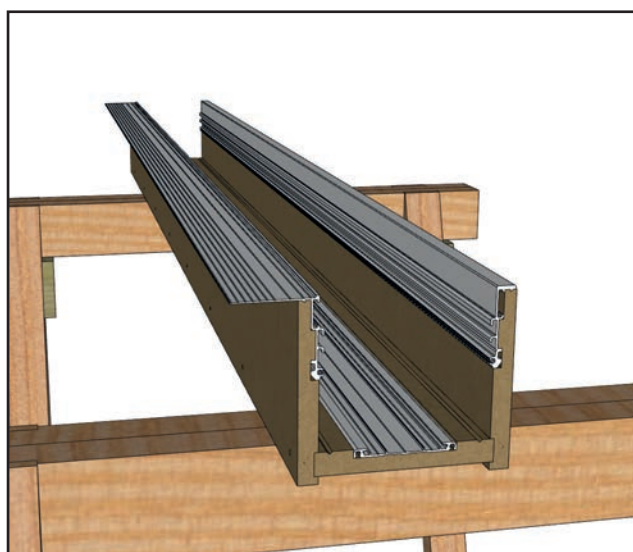
With one MDF Side fully attached to the MDF Top, turn the pocket over and attach the second MDF side to the MDF top using the 4x40mm Countersunk Wood Screws from the UCH Fixings Pack.

Make sure that the ends of the MDF Top and MDF Sides are flush with each other before securing together.

5

The supplied wood screws will self countersink into the MDF side - Make sure they are driven in just far enough to sit flush with the surface of the MDF without over driving.

6 Double check that all screws are correctly tightened along the full length of the pocket before either fitting the UniChannel End Plates or joining this section of UniChannel to another to form a longer pocket (See the "Fitting End Plates" or "Joining UniChannel" sections of the instructions for more details).



UNICHANNEL

(OPTIONAL) JOINING UNICHANNEL

Unichannel be easily joined on site during assembly to form pockets longer than the standard 2438mm (96.0") pack length, or to minimise wastage by making use of spare/offcut material

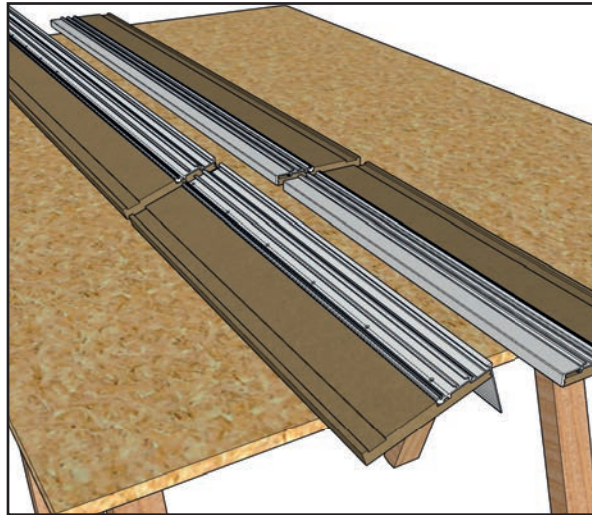
In this example we will form a 3048mm (120.0") long pocket by joining a full 2438mm (96.0") pack to a 610mm (24.0") cut length.

- 1** Cut to length any required UCH MDF Tops and MDF Sides, following the steps on page 6. *In this example we would use one full pack of UCH and cut down the MDF Top and MDF Sides (including their factory fitted aluminium trims) from a second pack to 610mm (24".0).*

The MDF sides and top can be cut with the aluminium components still fitted as long as a suitable multi-material blade is being used.

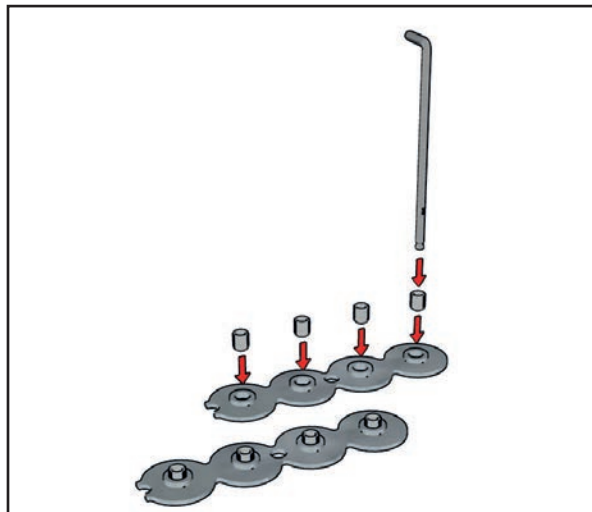
****Make sure appropriate PPE is used while cutting and ensure that aluminium components are on the underside of the MDF, against a hard backstop while cutting for safety****

- 2** Lay the UCH MDF Sides on a flat surface with the aluminium trims facing upwards for access.



- 3** Every pack of UniChannel is supplied with a metal coupler and a set of metal/nylon set screws. This metal coupler is used to join together the UCH aluminium edge trims and UCH MDF Sides.

Snap the metal coupler in half and install two of the supplied M5 x 6mm Metal Grub/Set Screws into each half in the locations shown with a 3mm allen key.



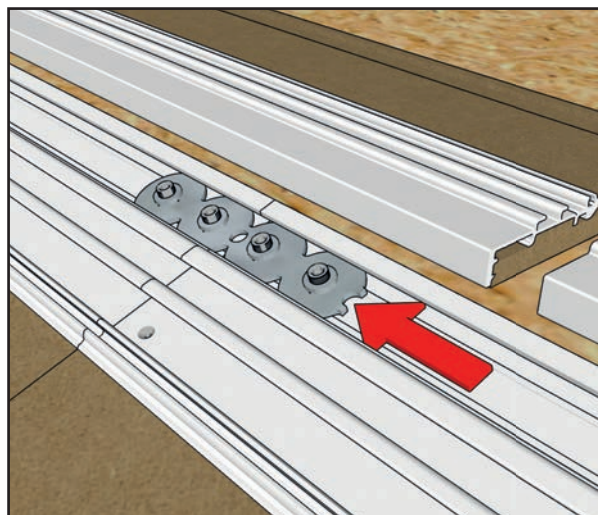
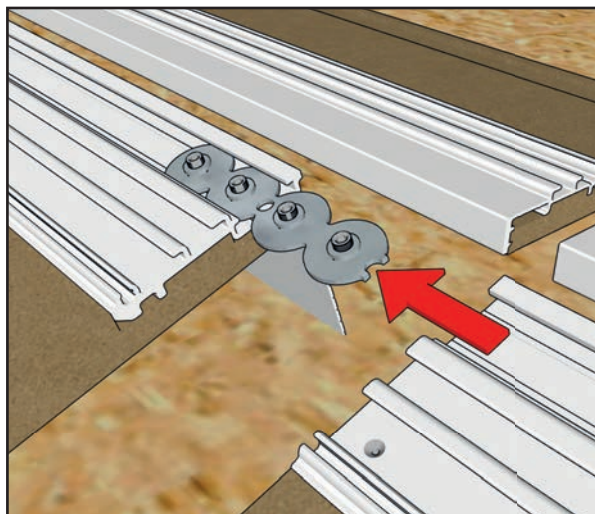
UNICHANNEL

(OPTIONAL) JOINING UNICHANNEL

1

Slide one half of the metal coupler into the dedicated channel in one of the the UCH aluminium trims as shown.

You may need to back off the set screws slightly to get the coupler to slide in easily.



Slide the other UCH MDF side and it's aluminium trim over the exposed end of the metal coupler.

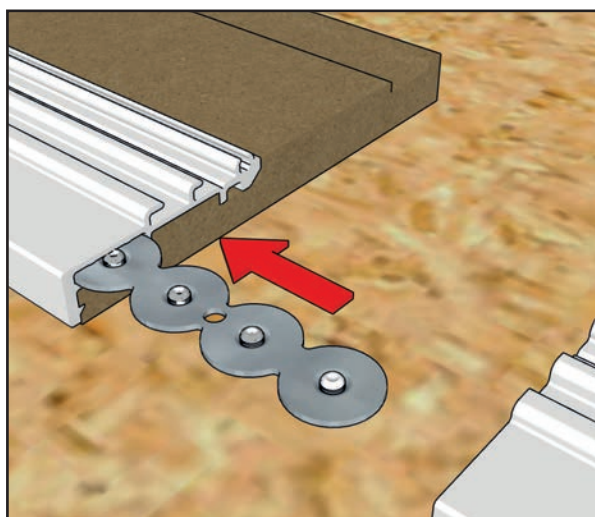
Once both sides are in place, the set screws in the metal coupler can be tightened up to grip the aluminium trims and hold them together.

2

3

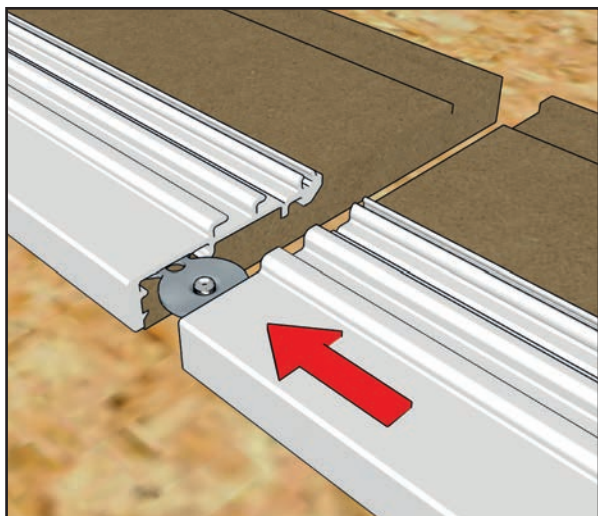
When joining together UCH Aluminium Flush Trims the coupler channel is on the back side against the MDF so we suggest fitting the M5 x 6mm Nylon Grub/Set Screws into the metal coupler (insted of the metal grub/set screws) and winding them through so they are partially exposed.

This should make the coupler a very tight fit when pushed into the coupler channel on the Flush Edge Trim as shown.



UNICHANNEL

(OPTIONAL) JOINING UNICHANNEL

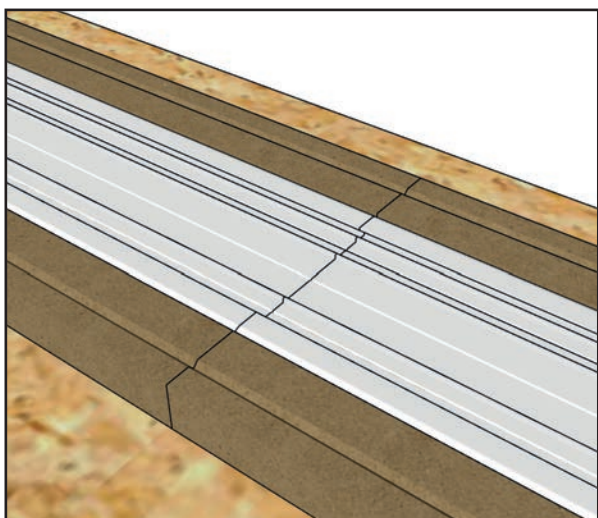


With the coupler pushed into one side of the Aluminium Flush Edge Trim, the other trim can be pushed over the coupler to join them together

4

Repeat this process with multiple UniChannel MDF sides if required until the desired length is reached.

- 5** For additional rigidity when joining UniChannel MDF Sides, the aluminium edge trims can be removed (as per instructions on page 5), slid along the MDF to overlap the butt joins in the MDF and then attached.

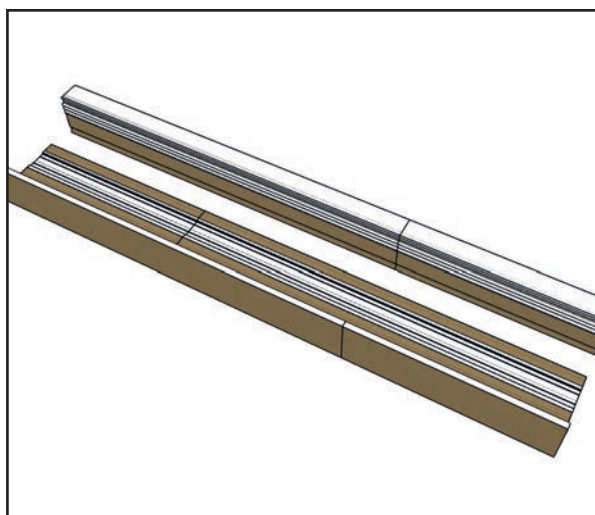


The UniChannel MDF Tops don't require coupling plates as they are screwed directly to the MDF sides during the pocket assembly process, so they will simply be butted up to each other.

6

- 7** Assemble the pockets as per the standard instructions on pages 7/8, using the joined together UniChannel MDF Sides and butted up UniChannel MDF Tops.

We suggest staggering the MDF Sides and MDF Tops so that the join lines of the MDF are offset from each other as shown.



11

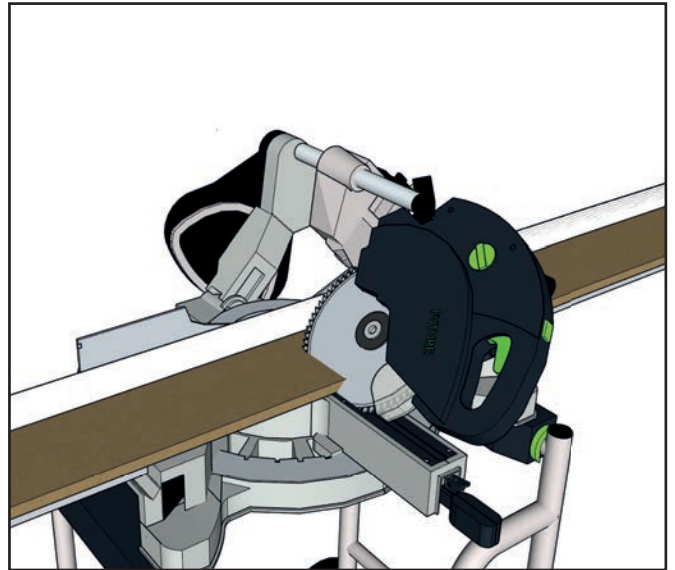
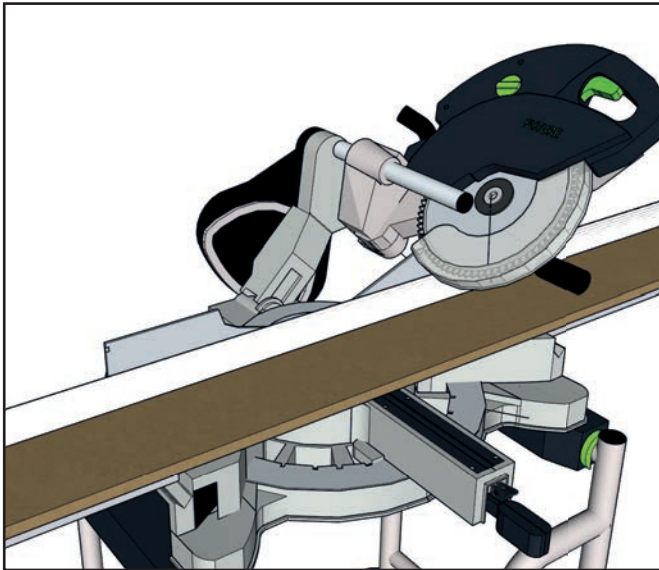
UNICHANNEL

(OPTIONAL) CORNER POCKET ASSEMBLY (90° CORNERS)

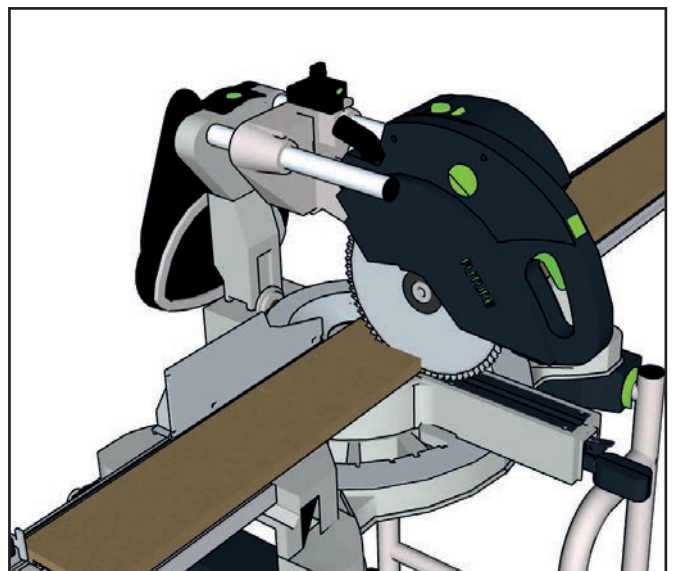
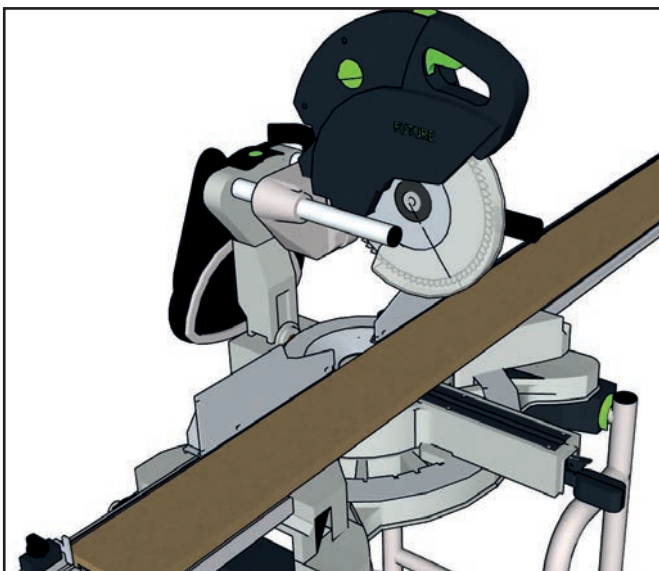
UniChannel can be used to create pockets around corners in one of two ways depending on the angle of the corner.

Method 1: 90° Corners

- 1** We advise that all angled cuts are made before cutting UniChannel to final length when fabricating corner pockets; This removes the need to calculate offset between the two UCH Sides and UCH Top.
- 2** Using a chop saw/mitre saw, make 45° **bevel cuts** to both sets of UCH MDF Sides.



- 3** Using a chop saw/mitre saw, make a **square cut** to both UCH MDF Tops (if required).



The MDF sides and top can be cut with the aluminium components still fitted as long as a suitable multi-material blade is being used.

****Make sure appropriate PPE is used while cutting and ensure that aluminium components are on the underside of the MDF, against a hard backstop while cutting for safety****

UNICHANNEL

(OPTIONAL) CORNER POCKET ASSEMBLY (90° CORNERS)

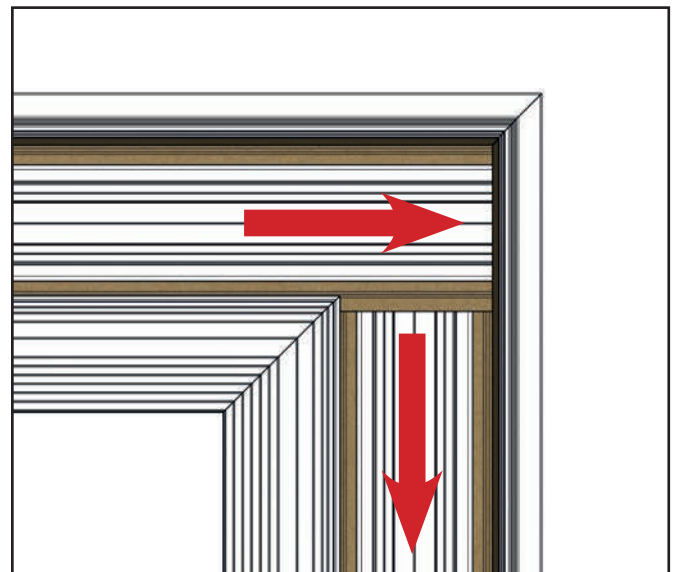
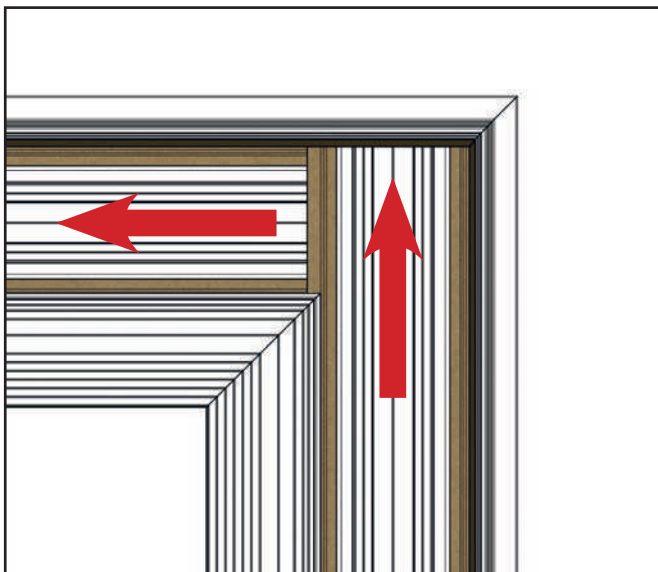
4

Loosely assemble the UCH Sides and UCH Top together as shown with the UCH Tops offset and check that the two pockets meet at a clean 90° angle.



5

When assembling the two pockets, one of the UCH Tops will extend further into the corner of the pocket, allowing one shade to extend further into the corner as well. Make sure to take this in account depending on which shade you wish to be wider



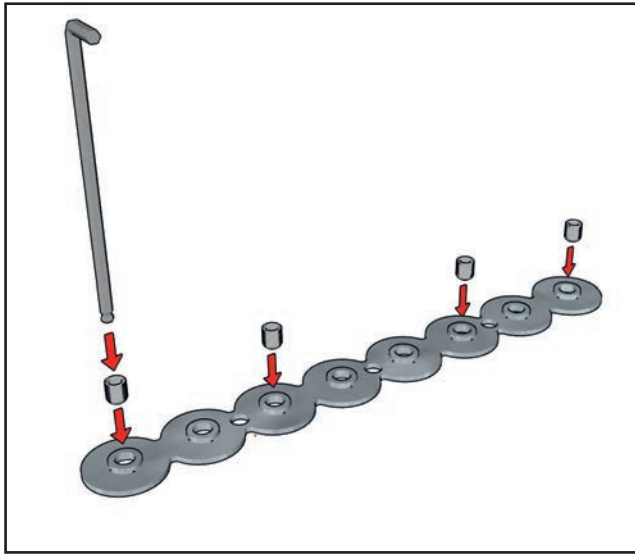
6

Once you are happy that the layout of the UCH Tops suits the layout of your shades, the UCH Sides and UCH Tops can be cut to final length using square cuts.

You can then attach together the UCH Sides and UCH Tops as per the steps on pages 7 and 8.

UNICHANNEL

(OPTIONAL) CORNER POCKET ASSEMBLY (90° CORNERS)



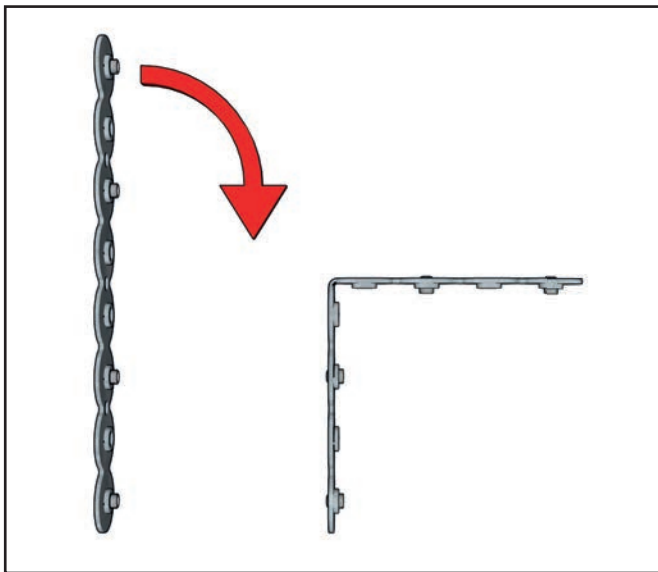
To assemble corner joins, multiple UCH Couplers will be required. Each pack of UCH is supplied with one coupler, but additional couplers can be purchased on request.

7

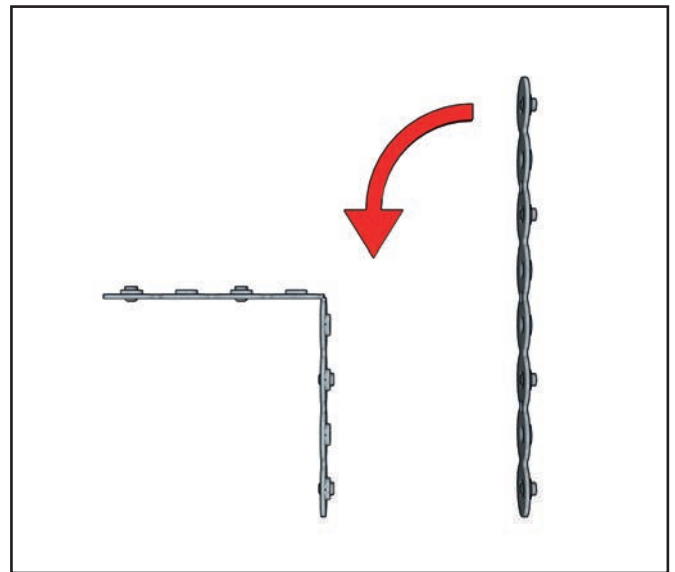
Take two UCH Couplers and install the four supplied M5 x 6mm Metal Grub/Set Screws into each coupler in the locations shown with a 3mm allen key.

8 For internal corners, bend both couplers outwards around the centre line to the required angle as shown. For external corners, bend both couplers inwards around the centre line to the required angle as shown;

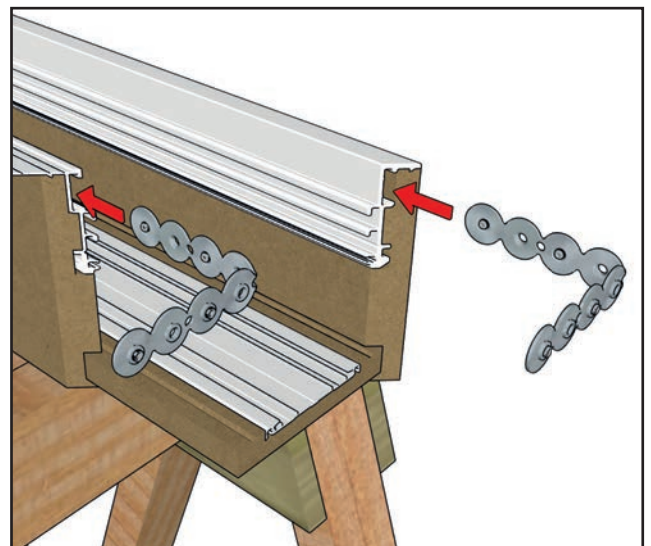
Internal Corner:



External Corner:

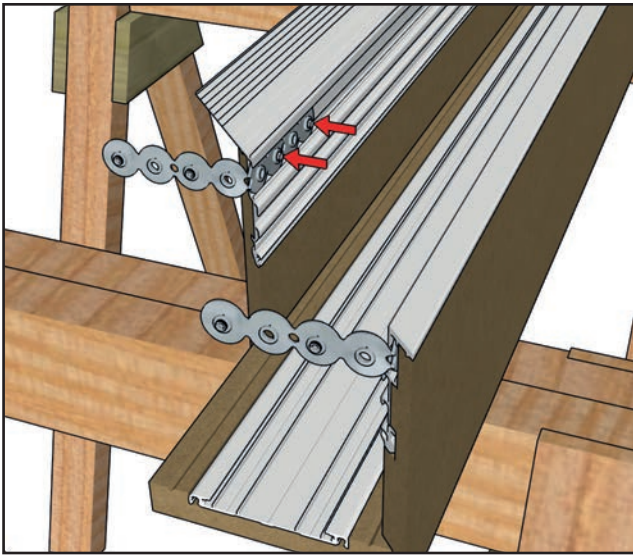


9 Slide the UCH Couplers into the slots on the UCH aluminium trims on one half of the UCH corner as shown.



UNICHANNEL

(OPTIONAL) CORNER POCKET ASSEMBLY (90° CORNERS)

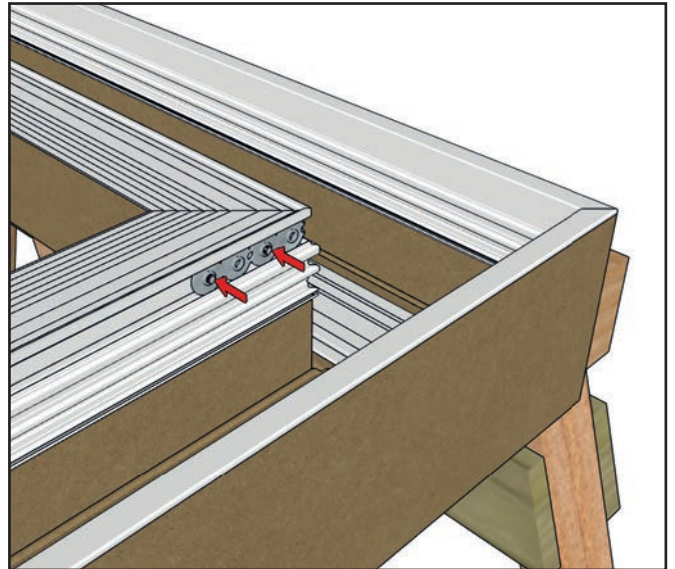
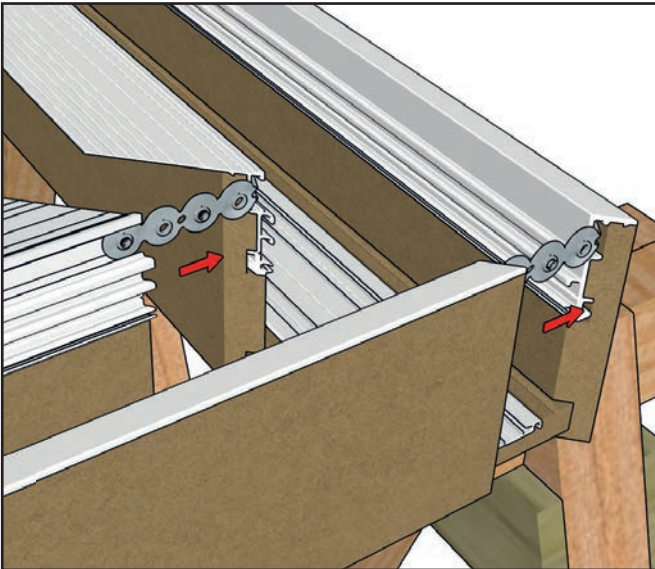


Tighten the M5 x 6mm Grub/Set Screws on the UCH couplers to secure them into the aluminium trims.

If your UCH specification has a Flush Trim then access to the grub/set screws will be blocked. The grub/set screws will need to be adjusted in or out before sliding the UCH Coupler into the slot in the Flush Trim. They should be adjusted so that the coupler is a very tight fit in the slot.

10

- 11** Slide the second half of the UCH corner onto the exposed ends of the two UCH Couplers as shown and tighten up the M5 x 6mm Grub/Set Screws using a 3mm allen key to secure the two halves of the corner together.



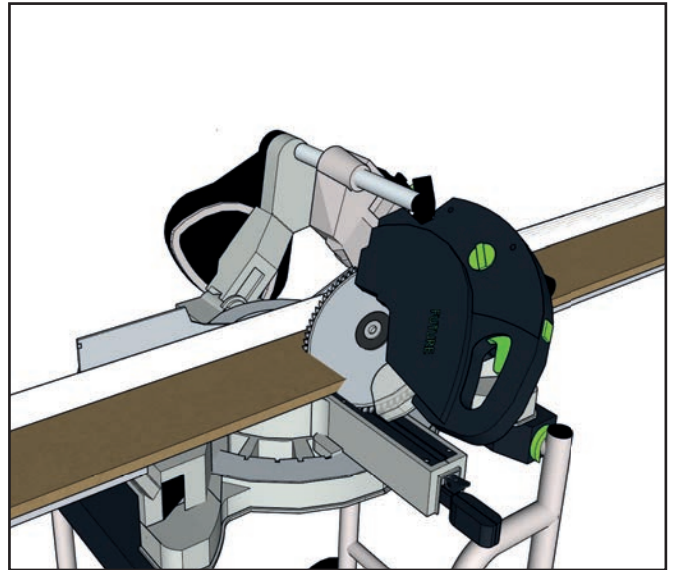
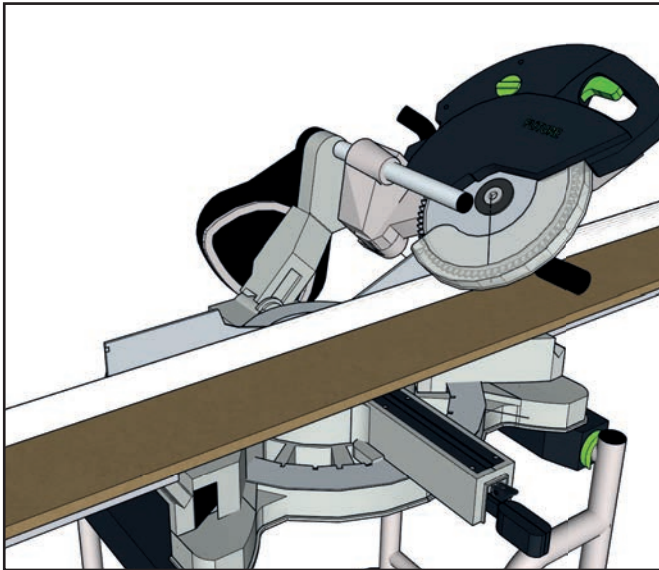
UNICHANNEL

(OPTIONAL) CORNER POCKET ASSEMBLY (NON-90° CORNERS)

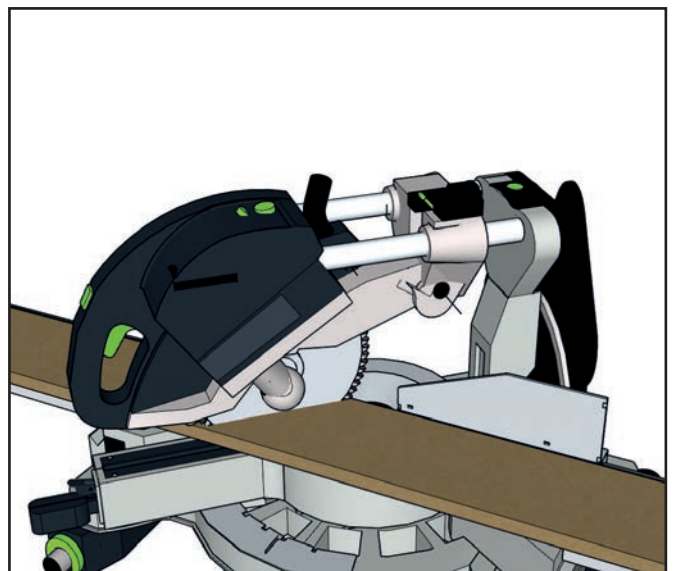
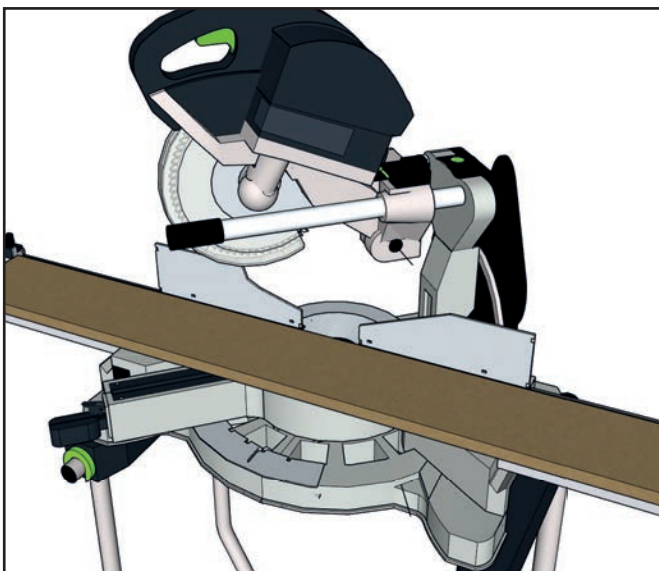
UniChannel can be used to create pockets around corners in one of two ways depending on the angle of the corner.

Method 2: Non-90° Corners

- 1** We advise that all angled cuts are made before cutting UniChannel to final length when fabricating corner pockets; This removes the need to calculate different lengths of UCH Sides and UCH Top.
- 2** Using a chop saw/mitre saw, make **bevel cuts** to both sets of UCH MDF Sides at the desired angle.



- 3** Using a chop saw/mitre saw, make a **mitre cut** to both UCH MDF Top at the desired angle.



The MDF sides and top can be cut with the aluminium components still fitted as long as a suitable multi-material blade is being used.

****Make sure appropriate PPE is used while cutting and ensure that aluminium components are on the underside of the MDF, against a hard backstop while cutting****

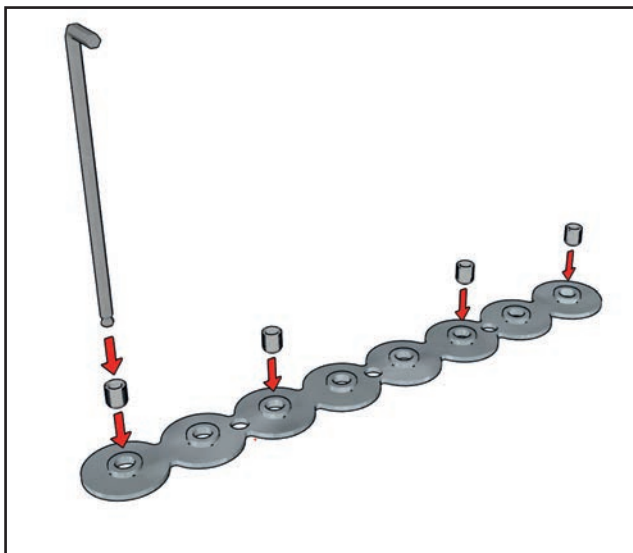
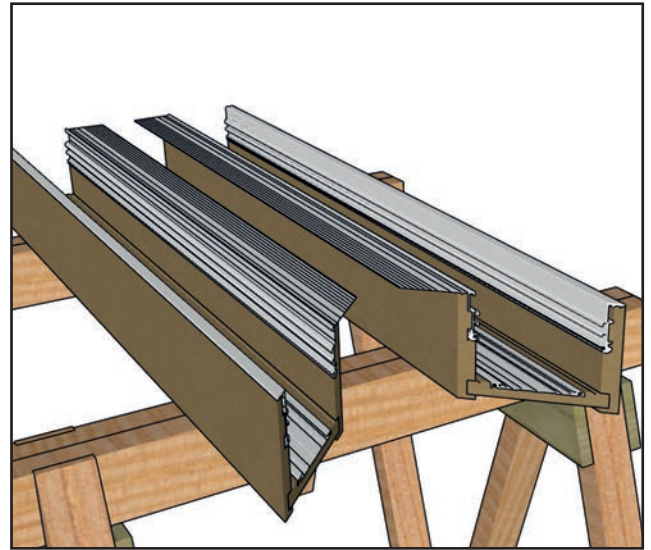
UNICHANNEL

(OPTIONAL) CORNER POCKET ASSEMBLY (NON-90° CORNERS)

4

Loosely assemble the UCH Sides and UCH Top together and then check that the two pockets meet at the desired angle. The UCH Sides and UCH Top can then be cut to final length using square cuts on the opposite ends to angled cuts.

Once you are happy with the length, attach together the UCH Sides and UCH Tops as per the steps on pages 7 and 8.



To assemble corner joins, multiple UCH Couplers will be required. Each pack of UCH is supplied with one coupler, but additional couplers can be purchased on request.

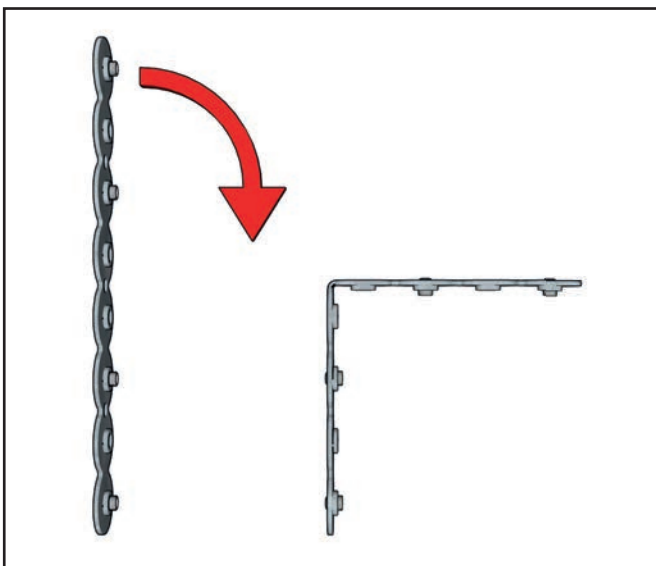
5

Take two UCH Couplers and install the four supplied M5 x 6mm Metal Grub/Set Screws into each coupler in the locations shown with a 3mm allen key.

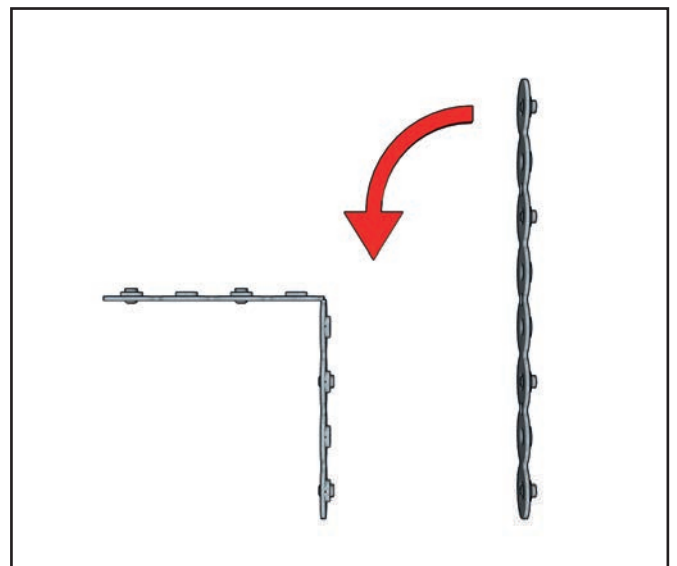
6

For internal corners, bend both couplers outwards around the centre line to the required angle as shown. For external corners, bend both couplers inwards around the centre line to the required angle as shown;

Internal Corner:



External Corner:

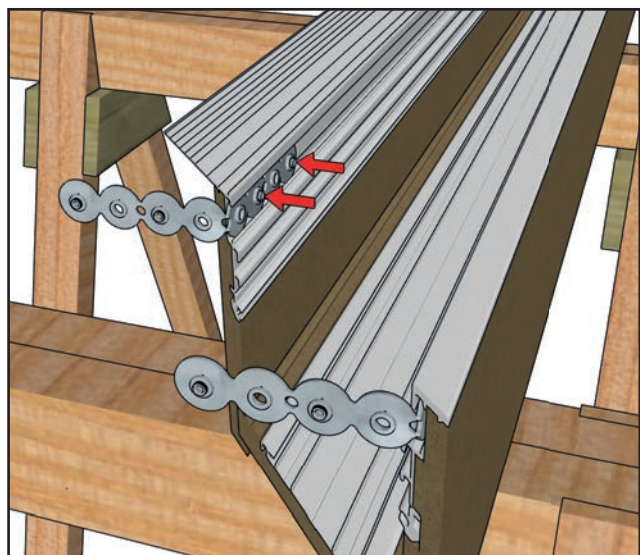
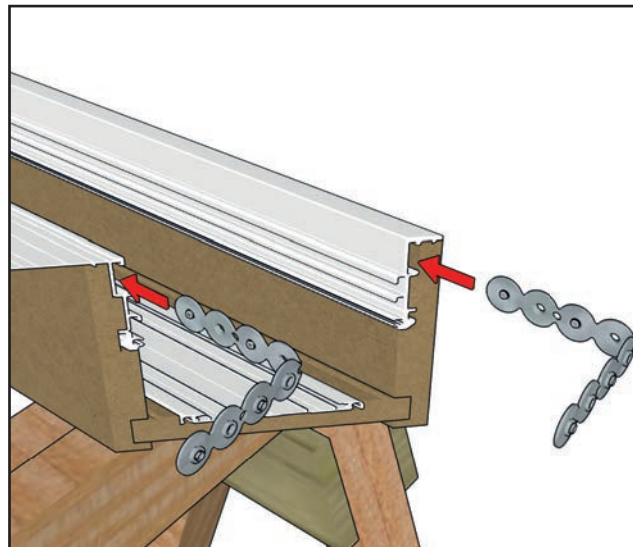


UNICHANNEL

(OPTIONAL) CORNER POCKET ASSEMBLY (NON-90° CORNERS)

7

Slide the UCH Couplers into the slots on the UCH aluminium trims on one half of the UCH corner as shown.



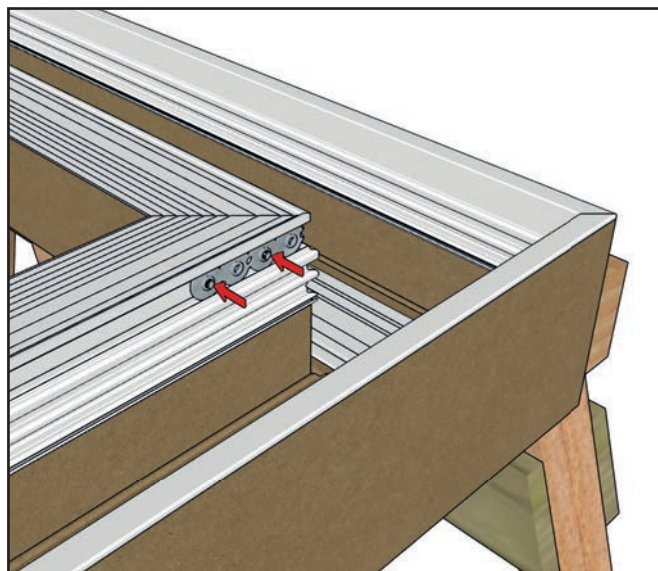
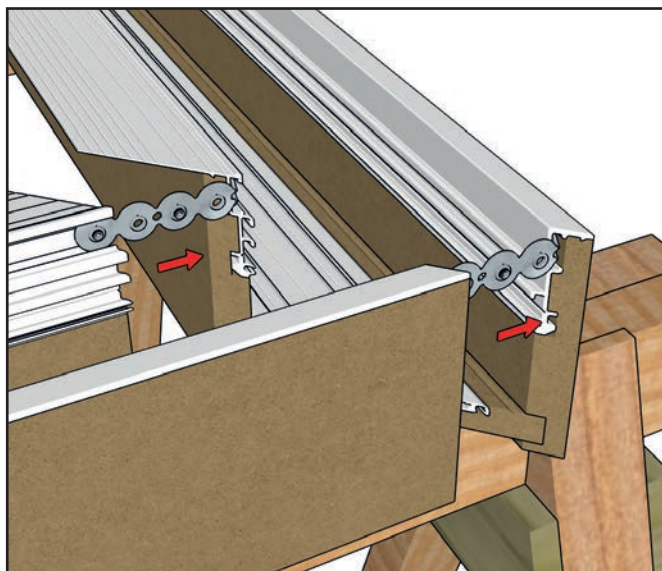
Tighten the M5 x 6mm Grub/Set Screws on the UCH couplers to secure them into the aluminium trims.

8

If your UCH specification has a Flush Trim then access to the grub/set screws will be blocked. The grub/set screws will need to be adjusted in or out before sliding the UCH Coupler into the slot in the Flush Trim. They should be adjusted so that the coupler is a very tight fit in the slot.

9

Slide the second half of the UCH corner onto the exposed ends of the two UCH Couplers as shown and tighten up the M5 x 6mm Grub/Set Screws using a 3mm allen key to secure the two halves of the corner together. The corner pocket can then be installed into the ceiling, see the "Installing Unichannel"





EUROPEAN OFFICE

Address:
Unit 6-8
Brunel Road
Bedford
Bedfordshire
MK41 9TG

Phone: +44 (0) 1438 833577
Email: info@futureautomation.co.uk

Office Hours:
Mon - Fri 8:00 to 17:30 GMT
Saturday & Sunday - Closed

NORTH AMERICAN OFFICE

Address:
Enterprise Park
127 Venture Drive
Dover
NH
03820

Phone: +1 (603) 742 9181
Email: info@futureautomation.net

Office Hours:
Mon - Fri 7:00 to 17:00 EST
Saturday & Sunday - Closed