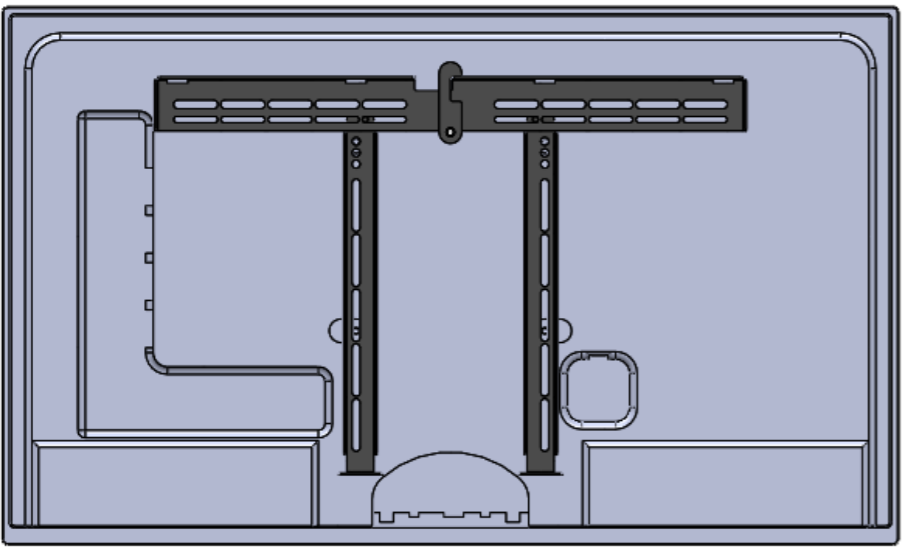


Simple Wall Mounting

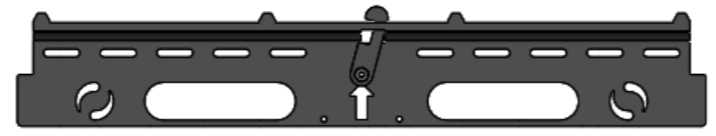
STEP 1

Fix uprights to back of screen and add top bar.



STEP 2

Fix wall plate to wall with suitable fixings .



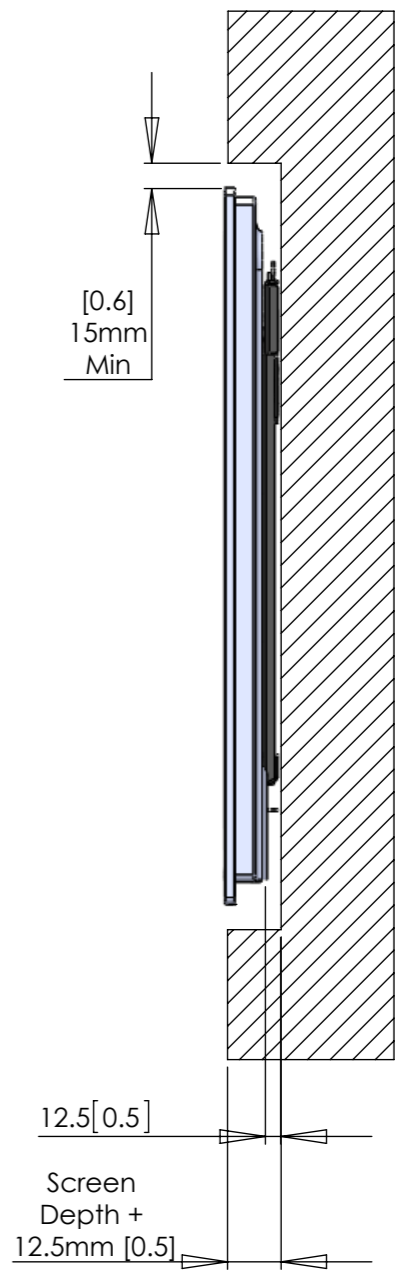
STEP 3

Hook the top beam onto the wall plate and slide over lock tab to secure.

Recess Mounting

Any recess should incorporate a minimum 15mm boarder around the screen so that it can be hooked onto the wall plate.

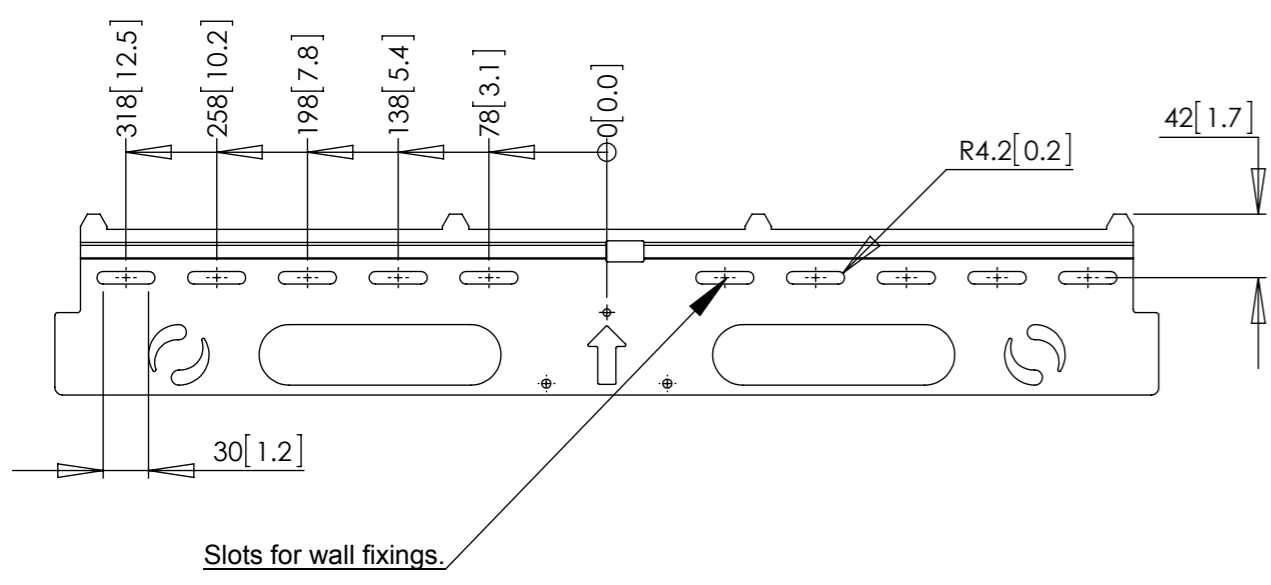
The screen will drop down 10mm when hooked onto the wall plate.



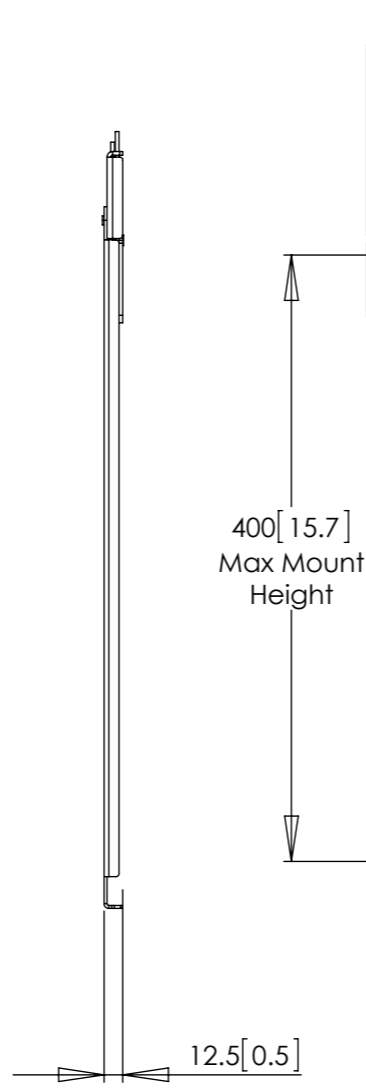
In order to have the screen face flush with the wall the recess will need a depth of 12.5mm plus the depth of the screen.

V74 - Dimensions

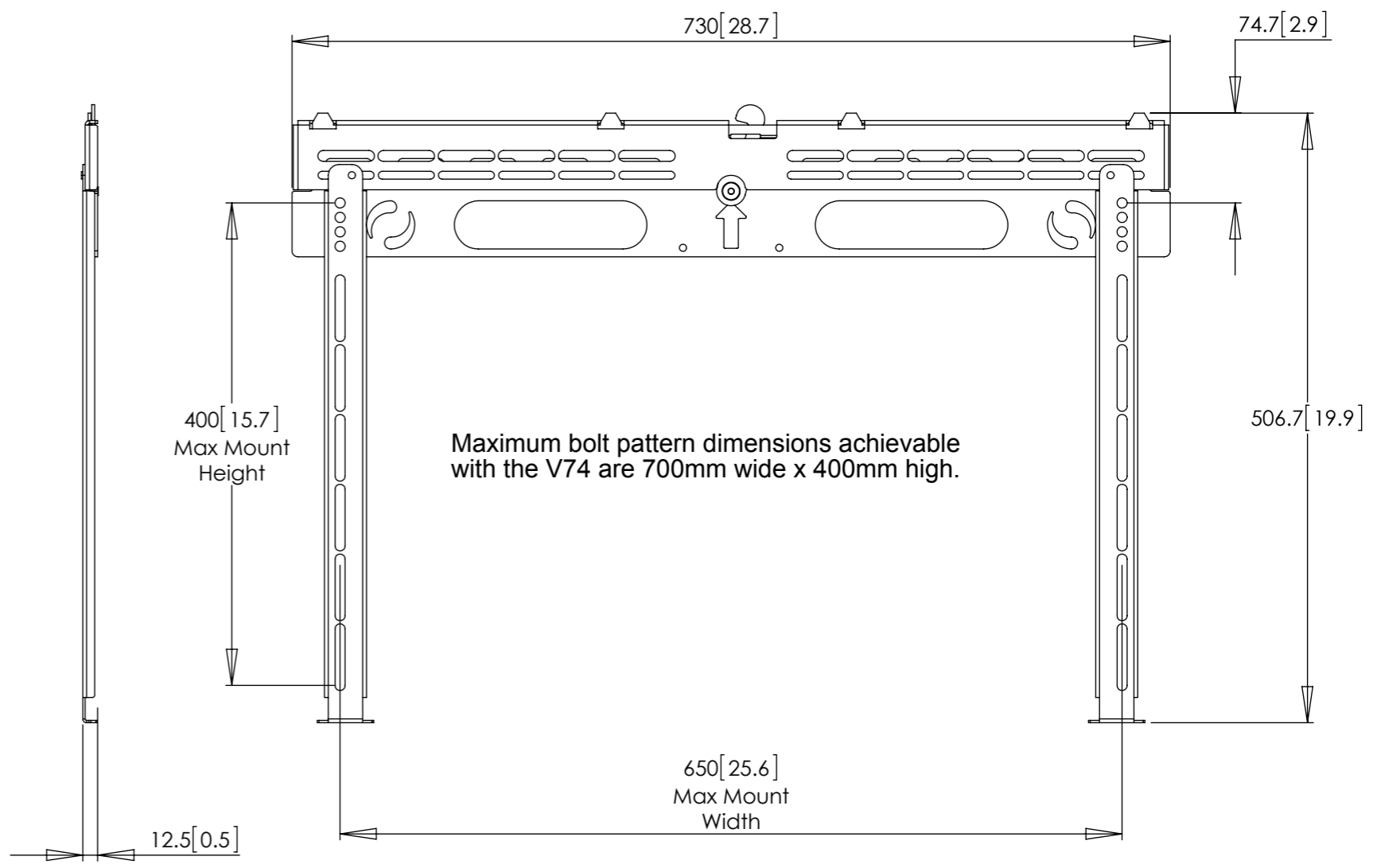
WALL PLATE DIMENSIONS - FRONT



SIDE PROFILE



MOUNT DIMENSIONS - FRONT



This bracket supports all VESA formats up to VESA400:

- VESA 100 x 100
- VESA 200 x 100
- VESA 300 x 200
- VESA 300 x 300
- VESA 400 x 400