

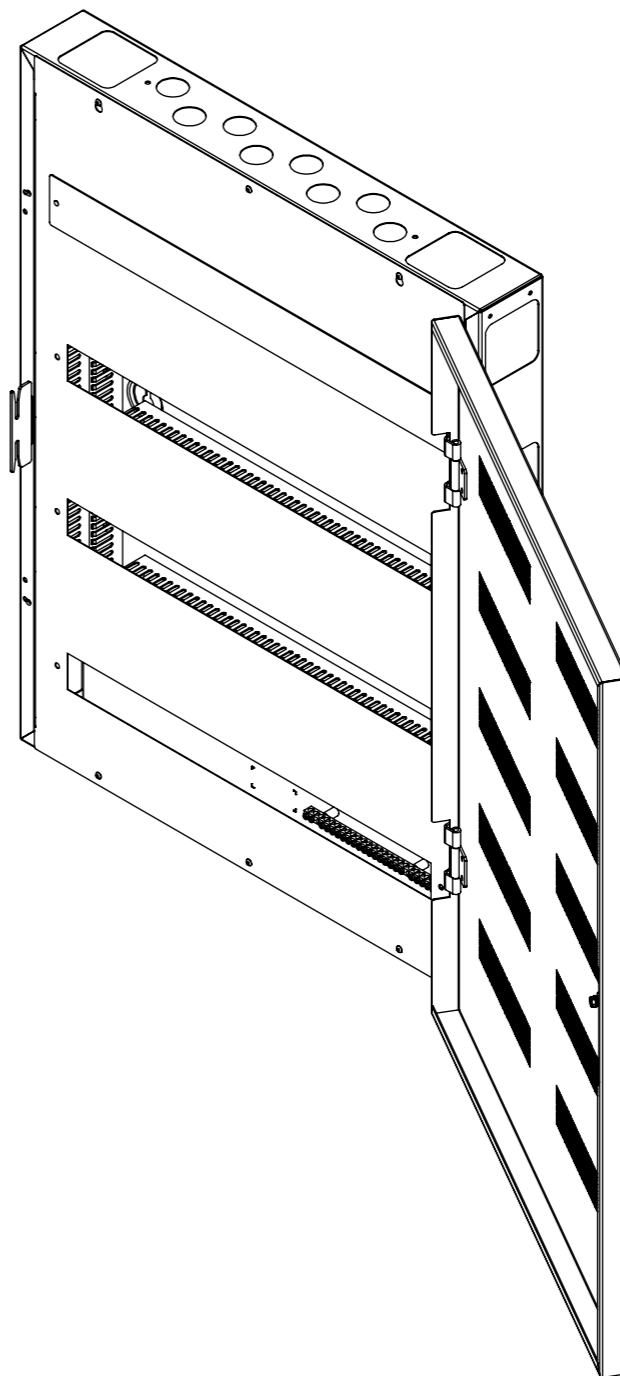
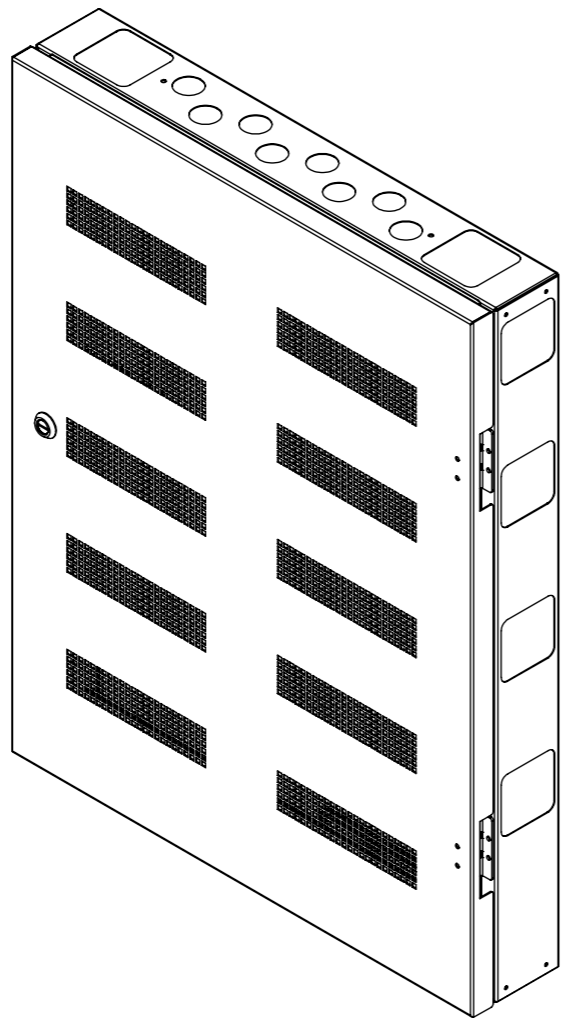


DESIGN HIGHLIGHTS

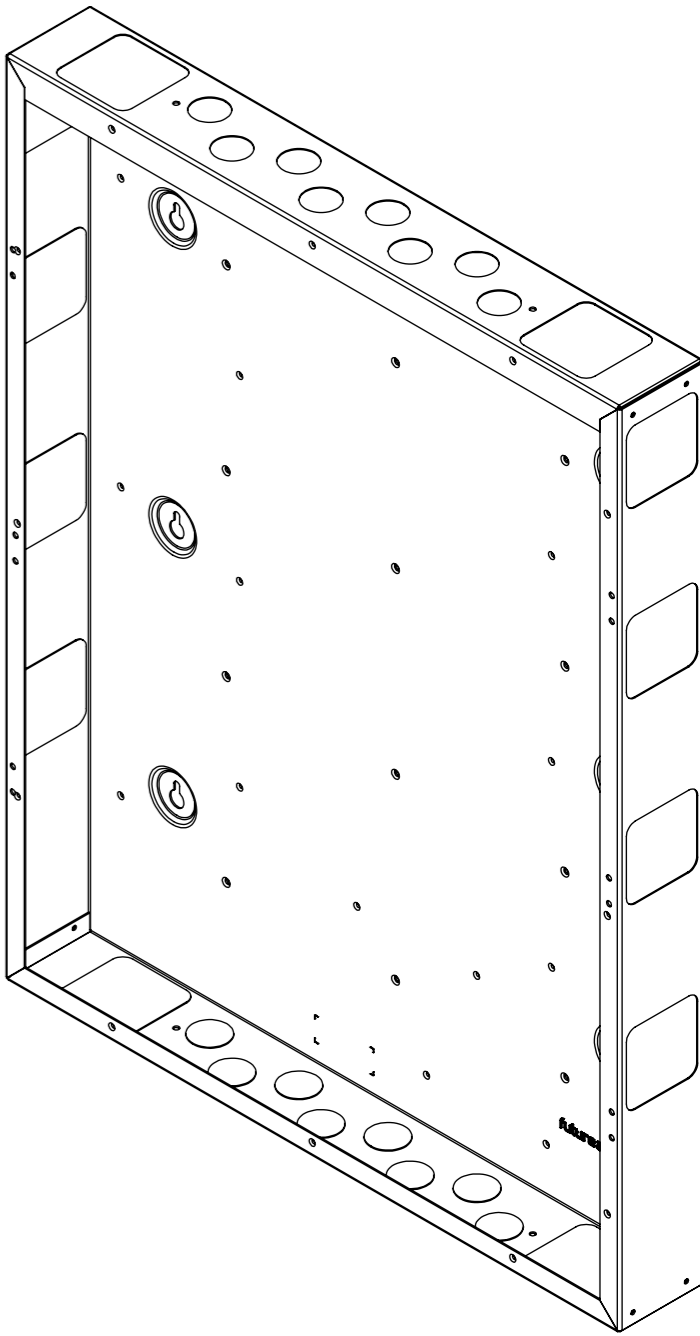
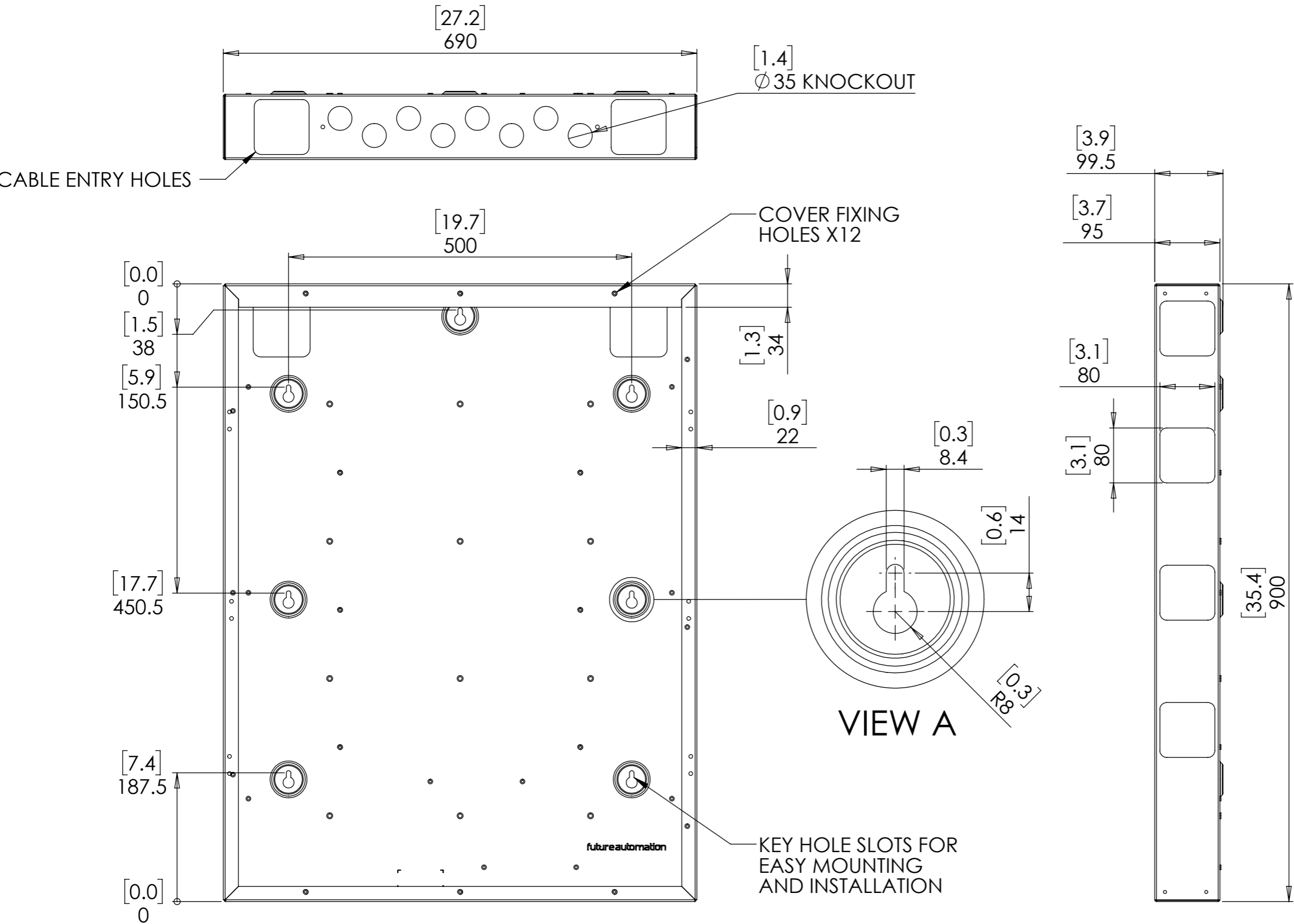
- Full Cable Managing Trunking
- Easy Installation / Mounting
- Removable Front Cover
- Reversible Locking Vented Door

OPTIONS

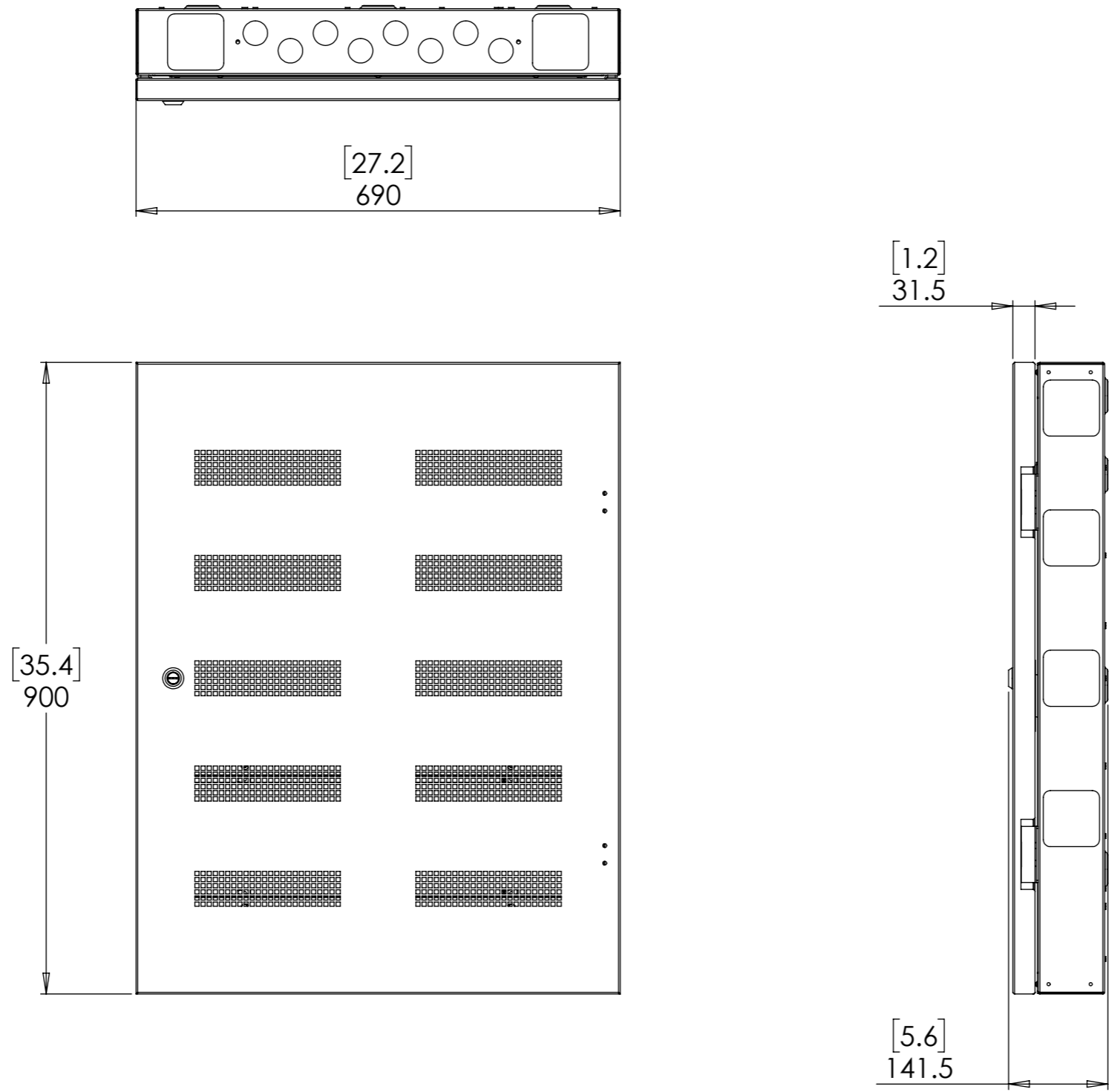
- 3 Standard Size Options
- VIT3 - 3 DIN RAILS
- VIT4 - 4 DIN RAILS
- VIT5 - 5 DIN RAILS



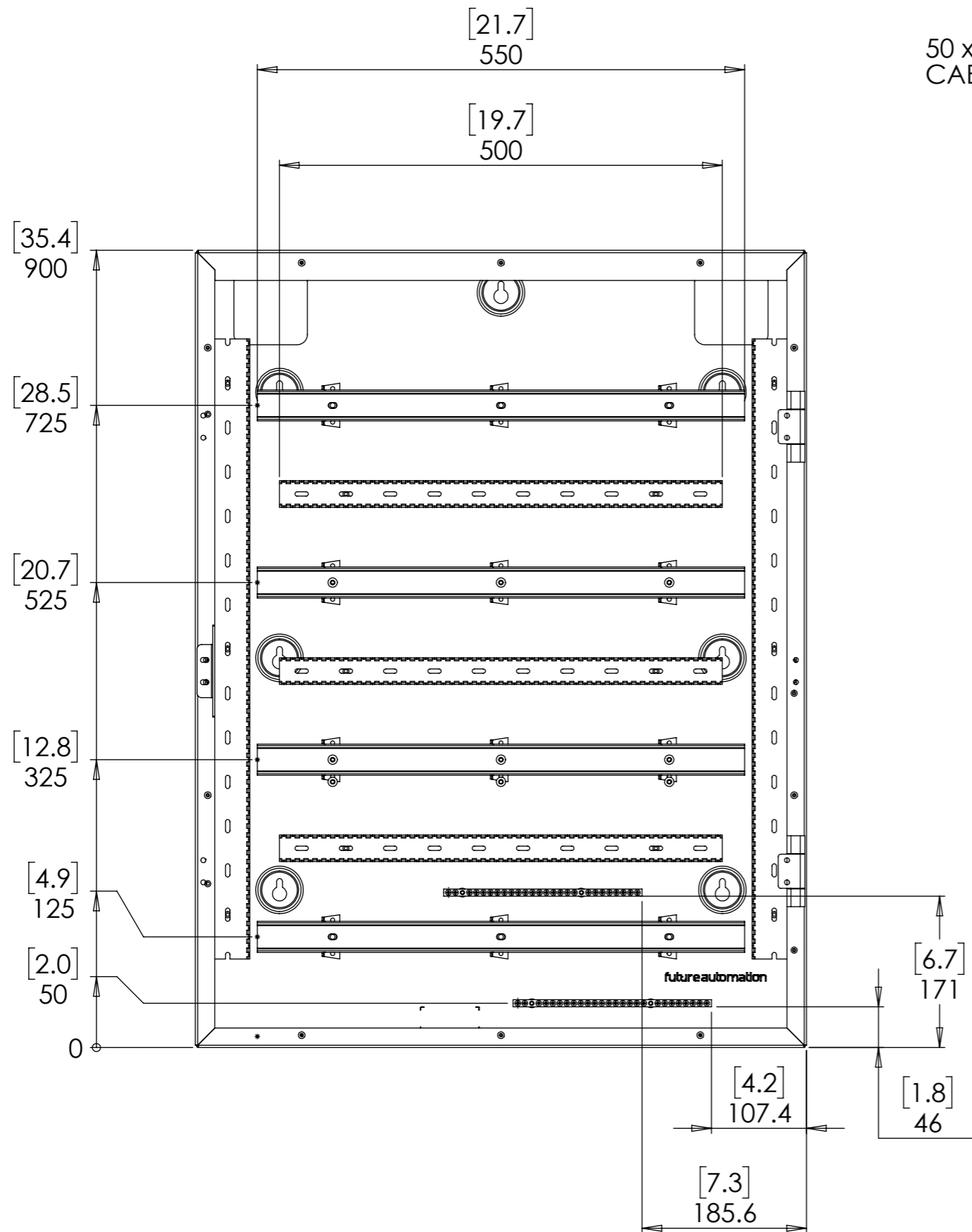
ENCLOSURE DIMENSIONS



OVERALL DIMENSIONS



ENCLOSURE LAYOUT



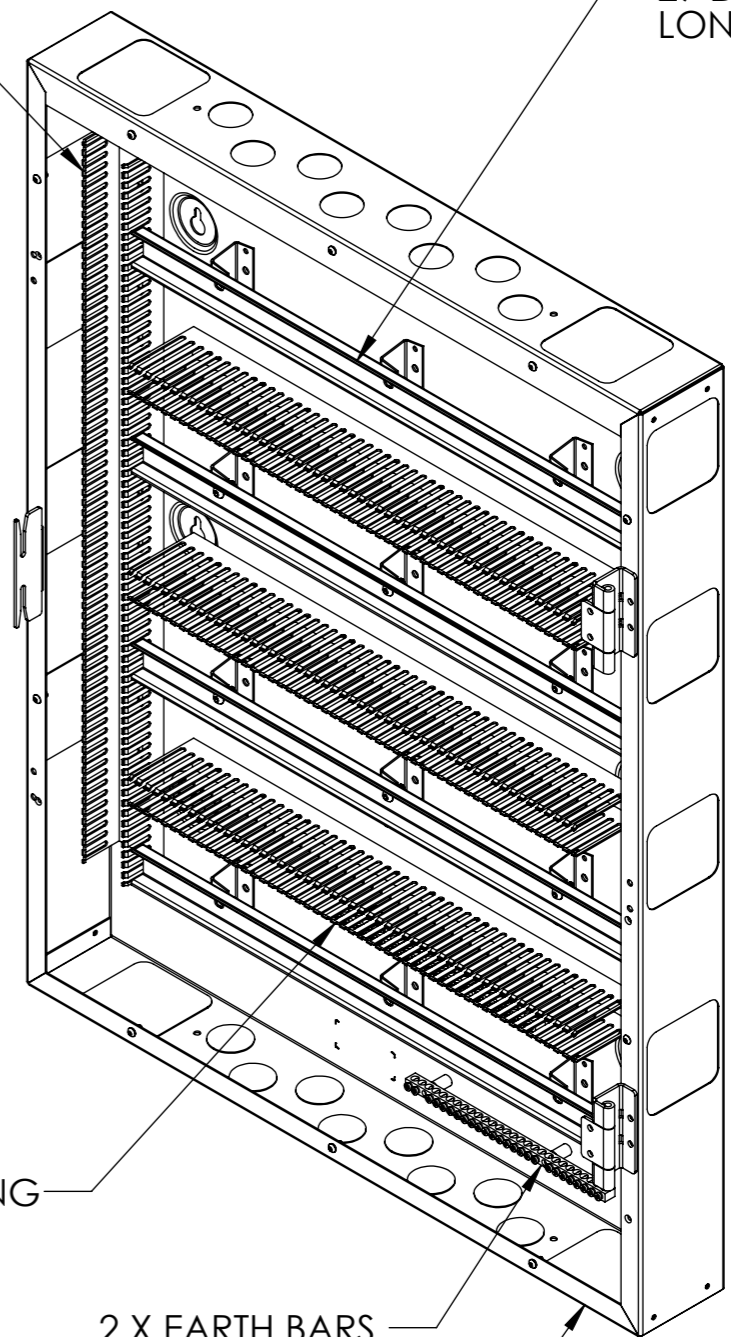
50 x 75mm
CABLE TRUNKING

29 DIN
LONG RAILS

30 x 75mm
CABLE TRUNKING

2 X EARTH BARS

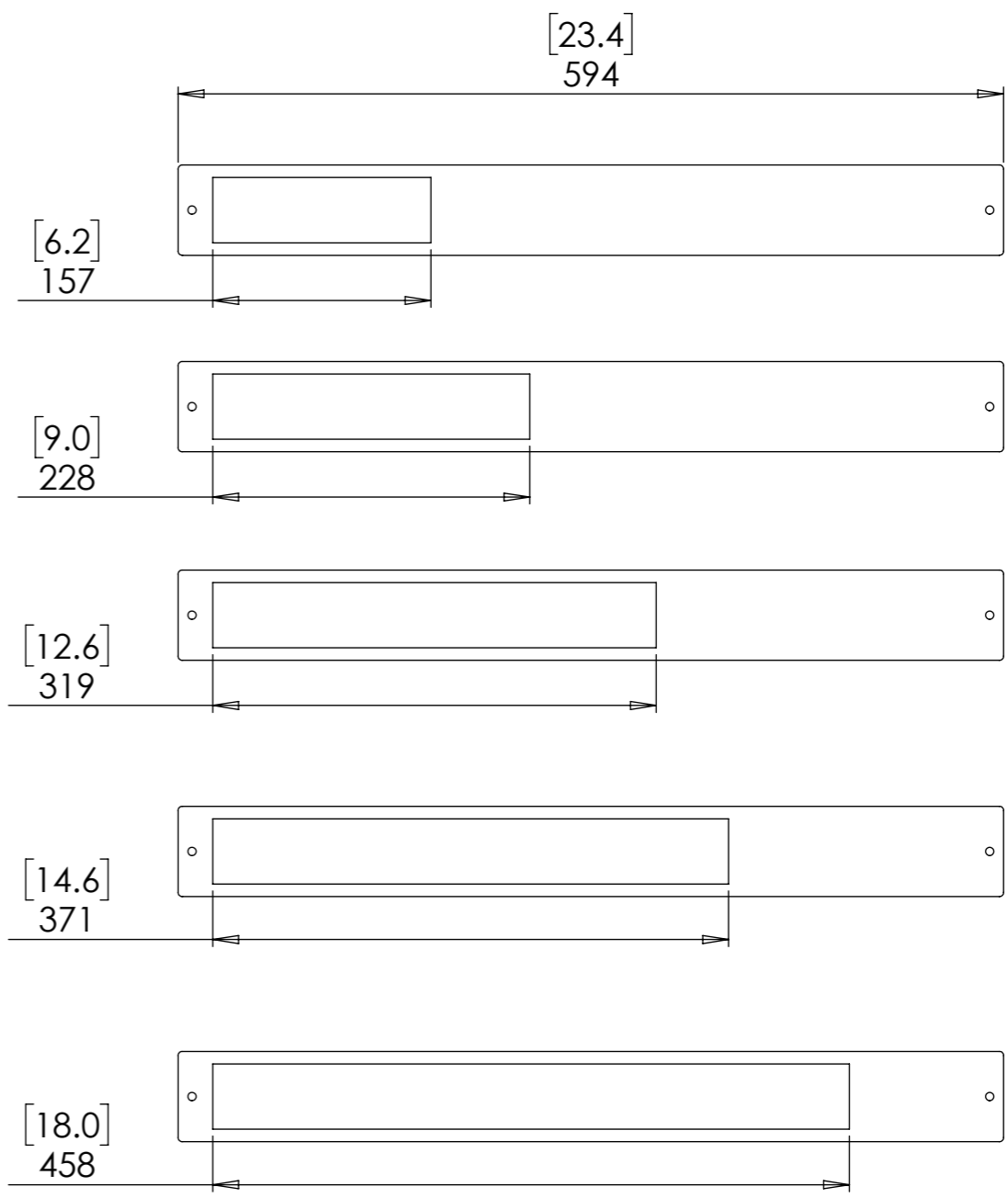
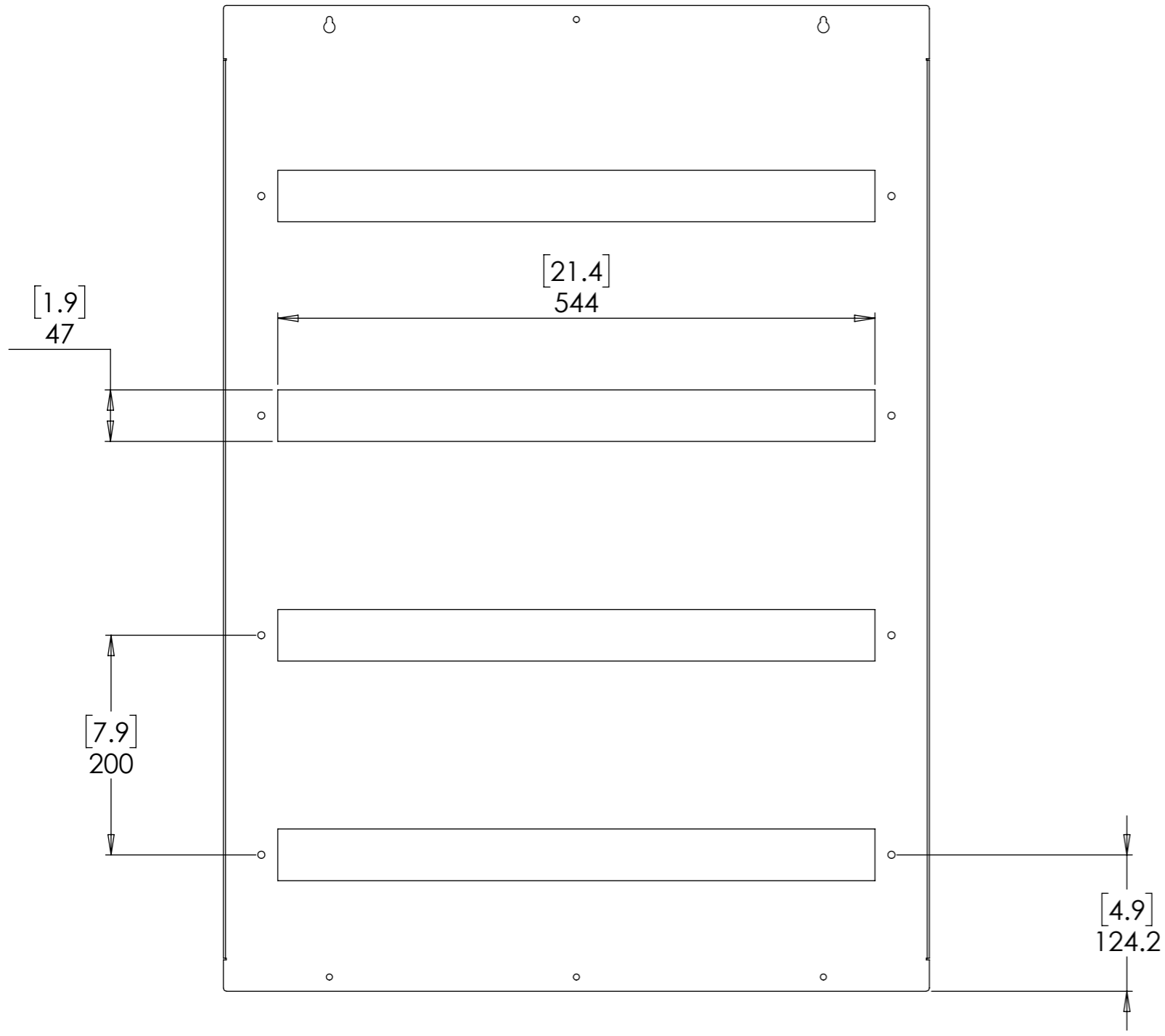
METAL ENCLOSURE



FRONT COVER AND PANEL COVERS

Front cover and panel cover options to suit different set ups

COVER PANEL CONFIGURATIONS SLOT SIZES 157, 228, 319, 371 & 458mm. ALLOWS FOR NEAT FINISHING WITH DIFFERENT SET UPS OF BREAKER AND MODULES



REVERSIBLE DOOR OVERVIEW

Door shown opening towards right hand side

In order to switch to left hand side opening, simply remove front cover panel and swap latch bracket and hinge outers over

