

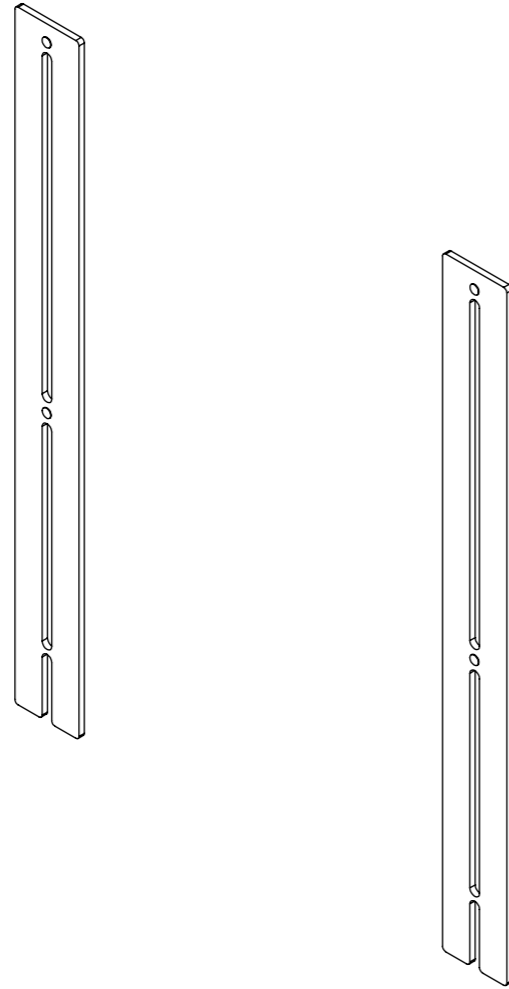
VOA

VERTICAL OFFSET ADAPTER

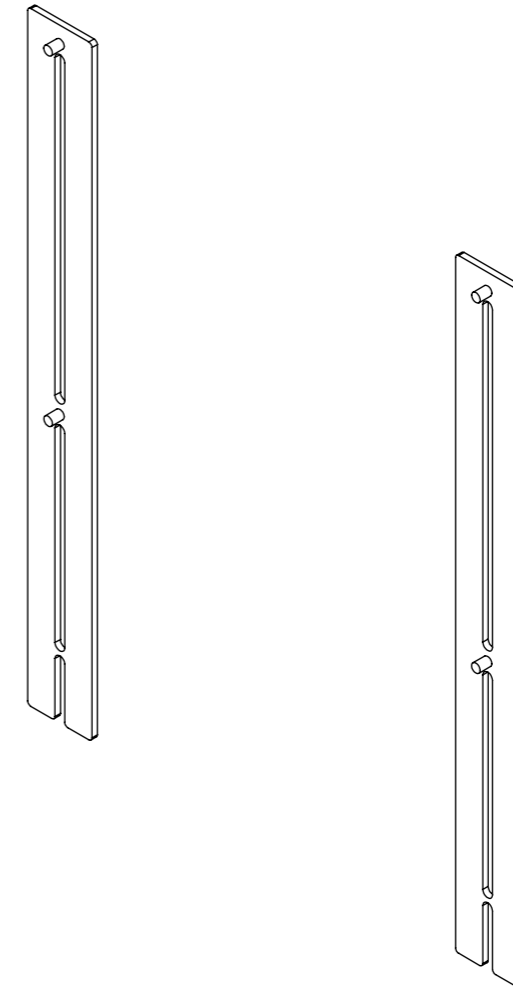


future automation

FRONT



REAR



VOA

VERTICAL OFFSET ADAPTER



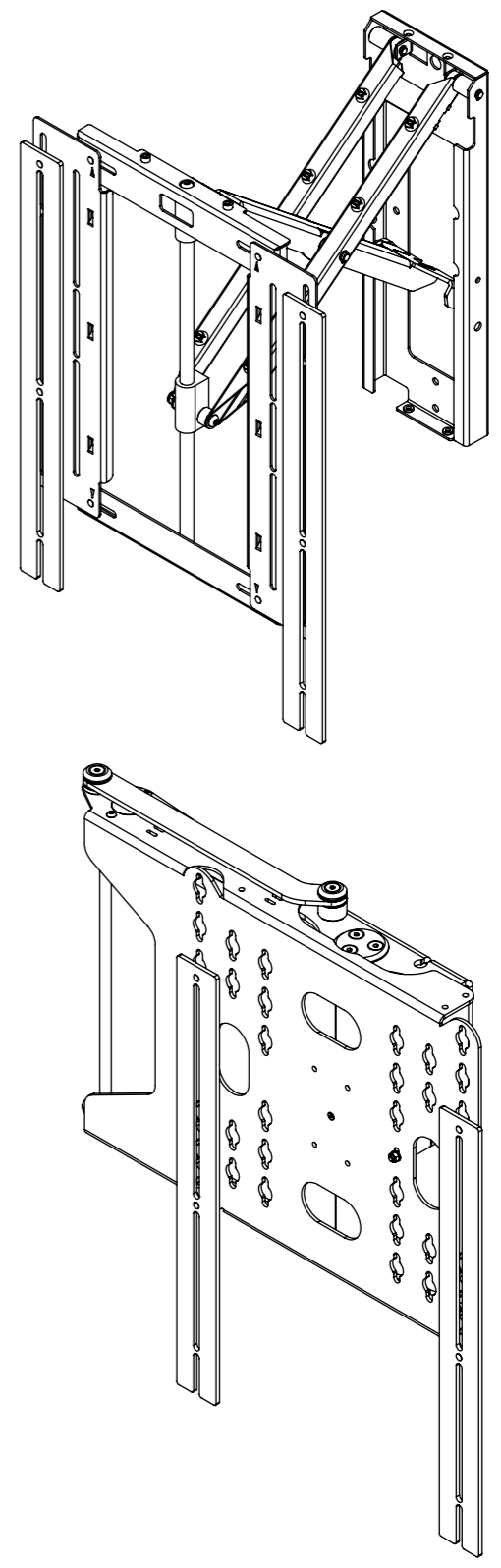
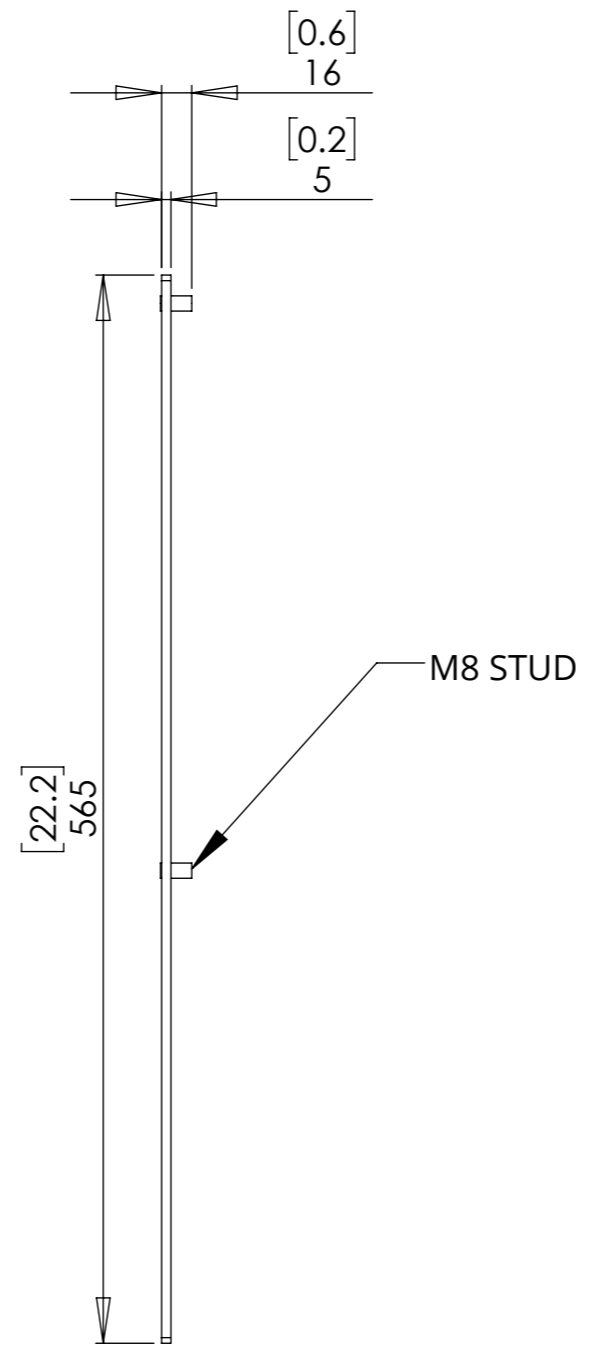
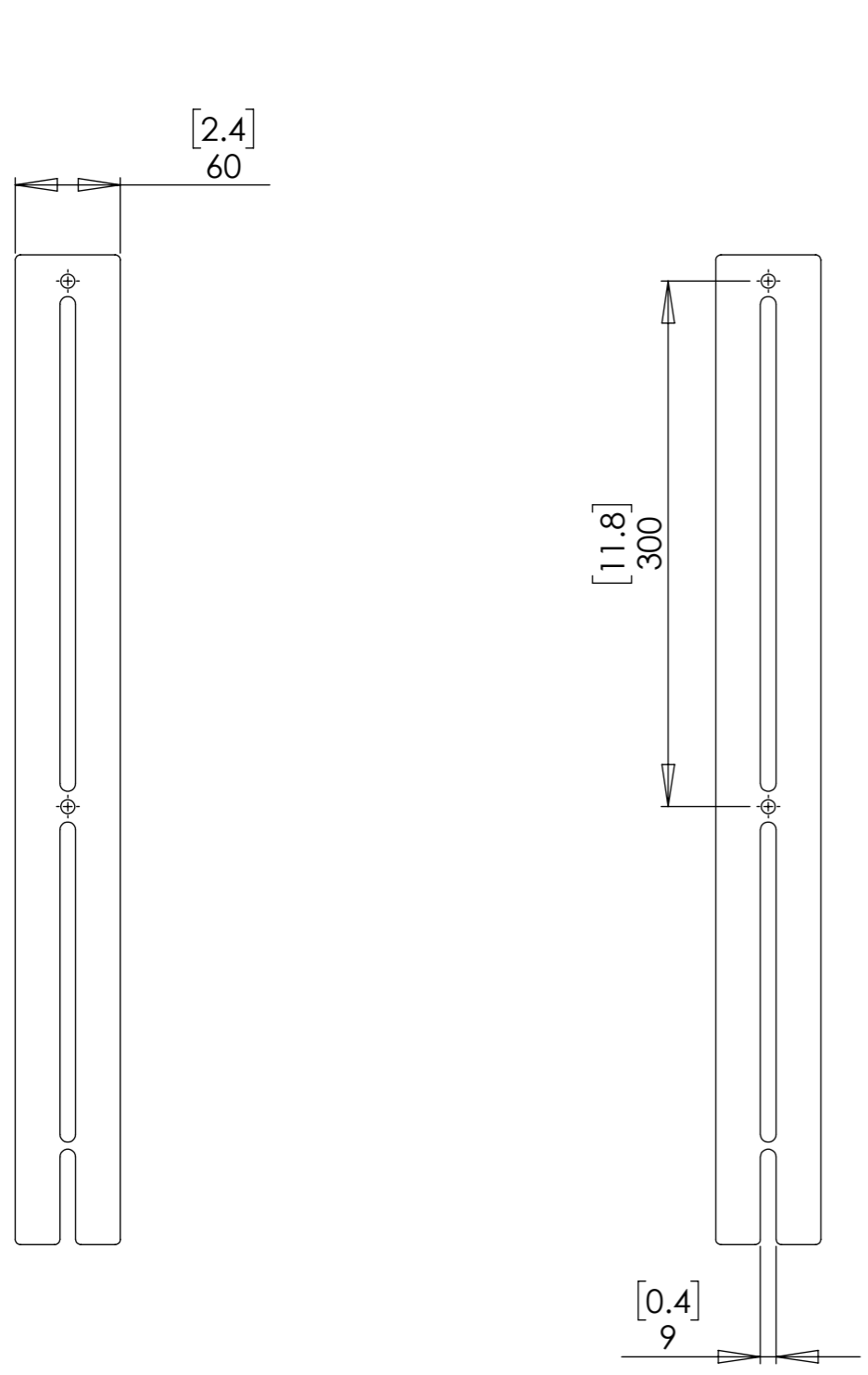
future automation

SPECIFICATION	MEASUREMENTS
Product Dimensions WxHxD	565mm (22.2") x 60mm (2.4") x 16mm (0.6")
Product Weight	1.2Kg (2.6lb)
Packaging Dimensions	600mm (23.6") x 80mm (3.1") x 40mm (1.5")
Shipping Weight	4Kg (8.8lb)
Package Contents	Mechanism
Marine Suitable	Yes (Indoors)

VOA

VERTICAL OFFSET ADAPTER

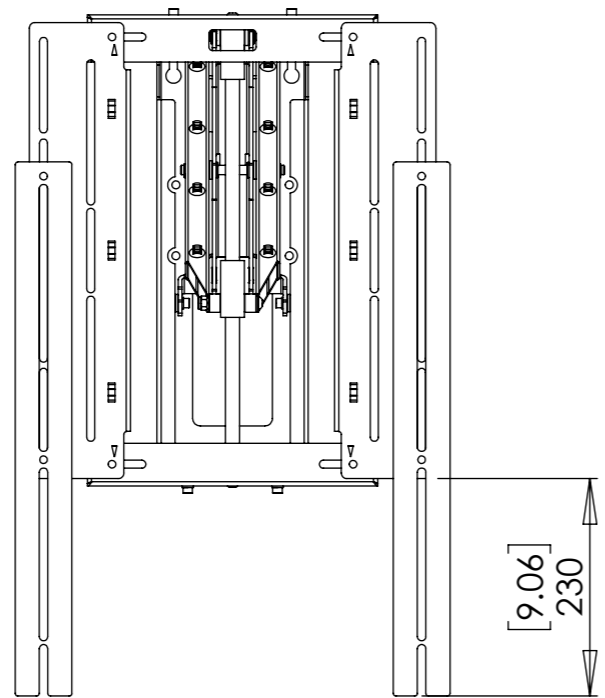
DIMENSIONS



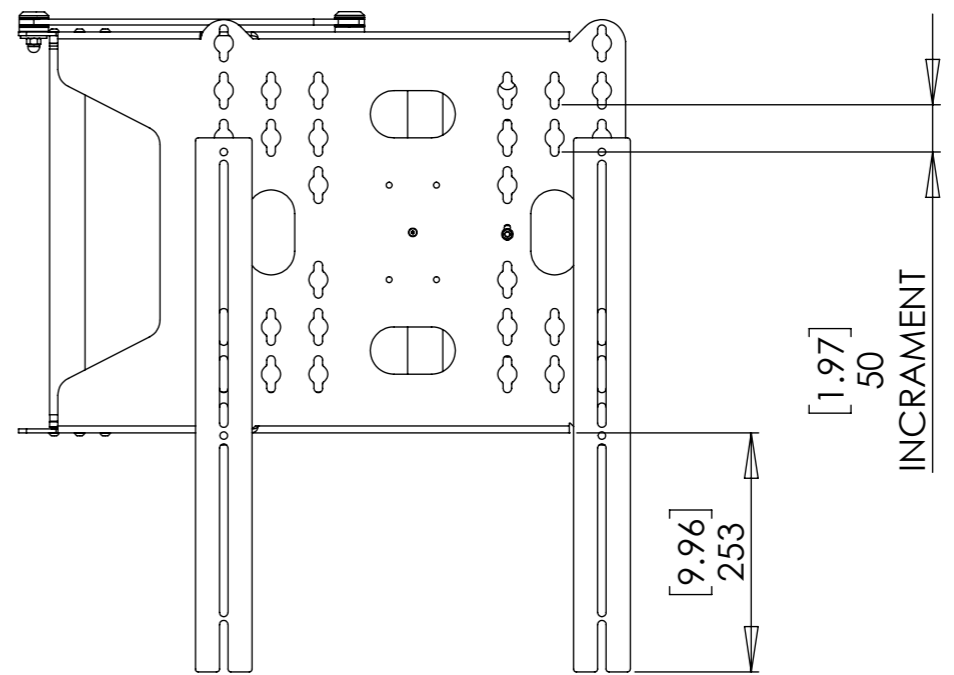
VOA VERTICAL OFFSET ADAPTER

EXAMPLE MOUNTING

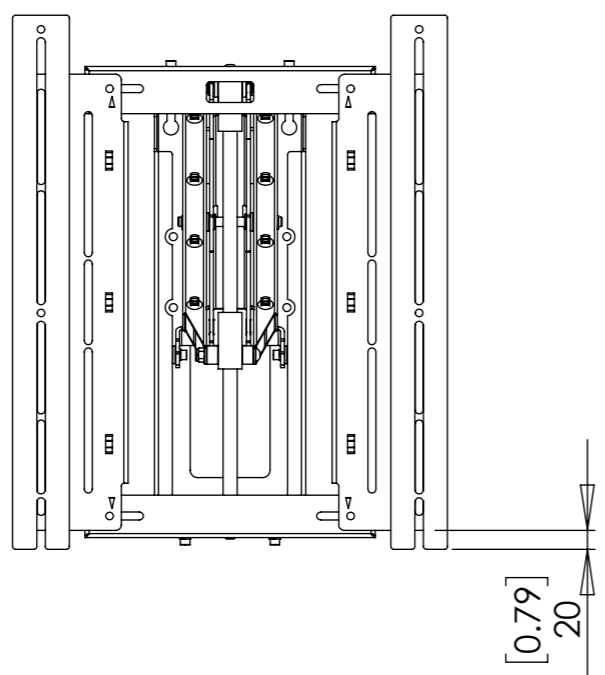
PS40 BRACKET MAXIMUM OFFSET



PSE90 BRACKET MAXIMUM OFFSET (AT 50MM [1.97] INCRAMENT)



PS40 BRACKET MINIMUM OFFSET



PSE90 BRACKET MINIMUM OFFSET (AT 50MM [1.97] INCRAMENT)

