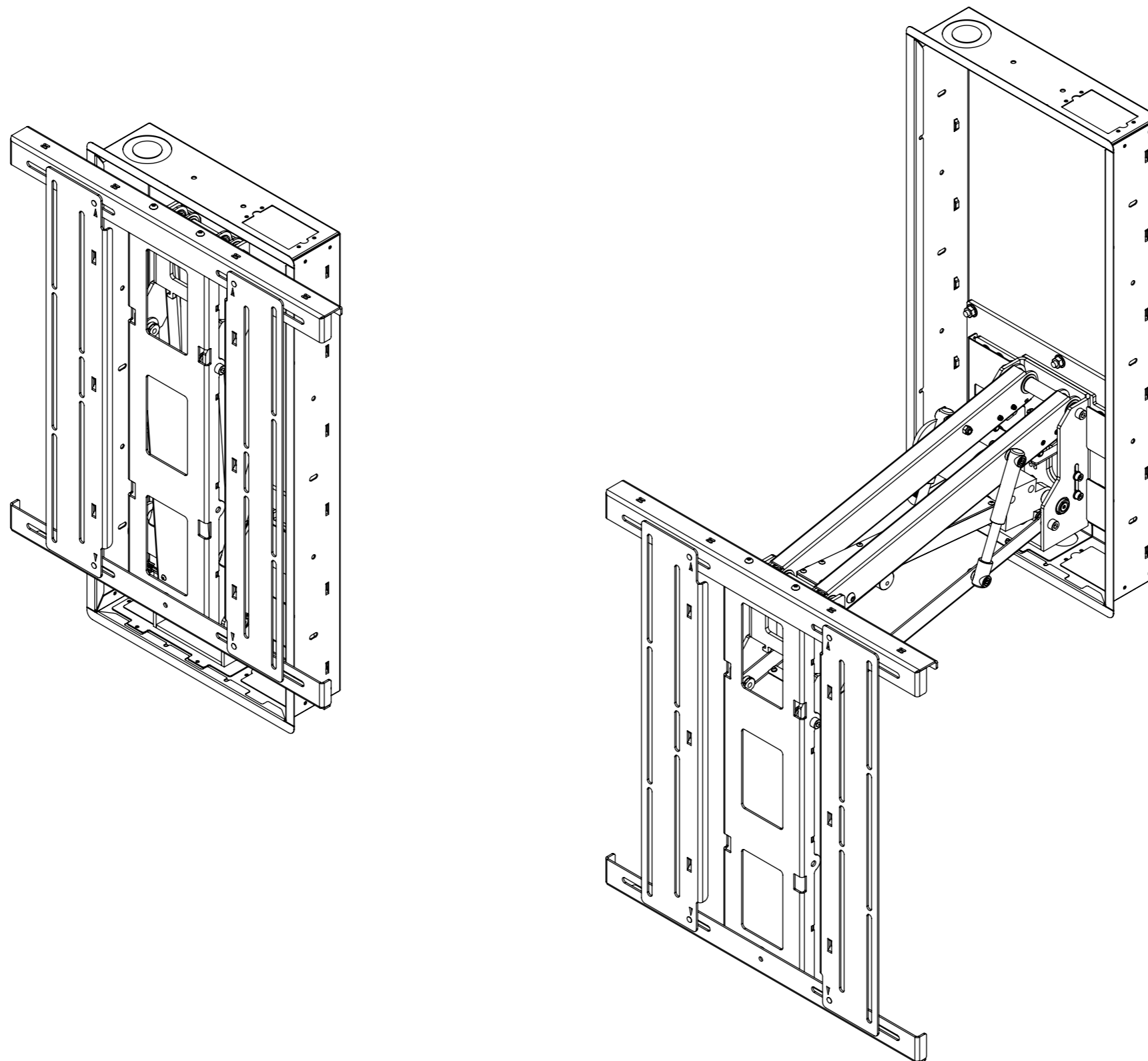


WB-EAD

WALL BOX FOR ELECTRIC ADVANCE & DROP



future automation



WB-EAD

WALL BOX FOR ELECTRIC ADVANCE & DROP



future automation

SPECIFICATION	MEASUREMENTS
Product Dimensions	752 x 377 x 99.5mm (29.6 x 14.8 x 3.9")
Screen Size	50" and above
Maximum Weight Capacity	60Kg (132.3lbs)
Maximum Extension from Wall	456mm (17.9")
Depth from Wall	47mm (1.8")
Minimum Screen Height	755mm (27.9)
Packaging Dimensions	420 x 810 x 190mm (16.53 x 31.88 x 7.48")
Shipping Weight	11kg (24lbs)
Product Options / Features	Custom RAL paint finishes
Package Contents	1 x Wall box, 2 x Horizontal trim strips, 2 x Vertical trim strips
Marine Suitable	No

WB-EAD

WALL BOX FOR ELECTRIC ADVANCE & DROP



Design Highlights

The Electric Advance and Drop TV Wall Mount is a one of a kind bracket designed to move a large flat screen vertically to a more desirable viewing height.

The down and out movement make this ideal for mounting a TV over a fireplace as the EAD moves forward to clear a mantle piece and then drops down for a more favourable viewing position. A truly unique and creative solution for larger screens.

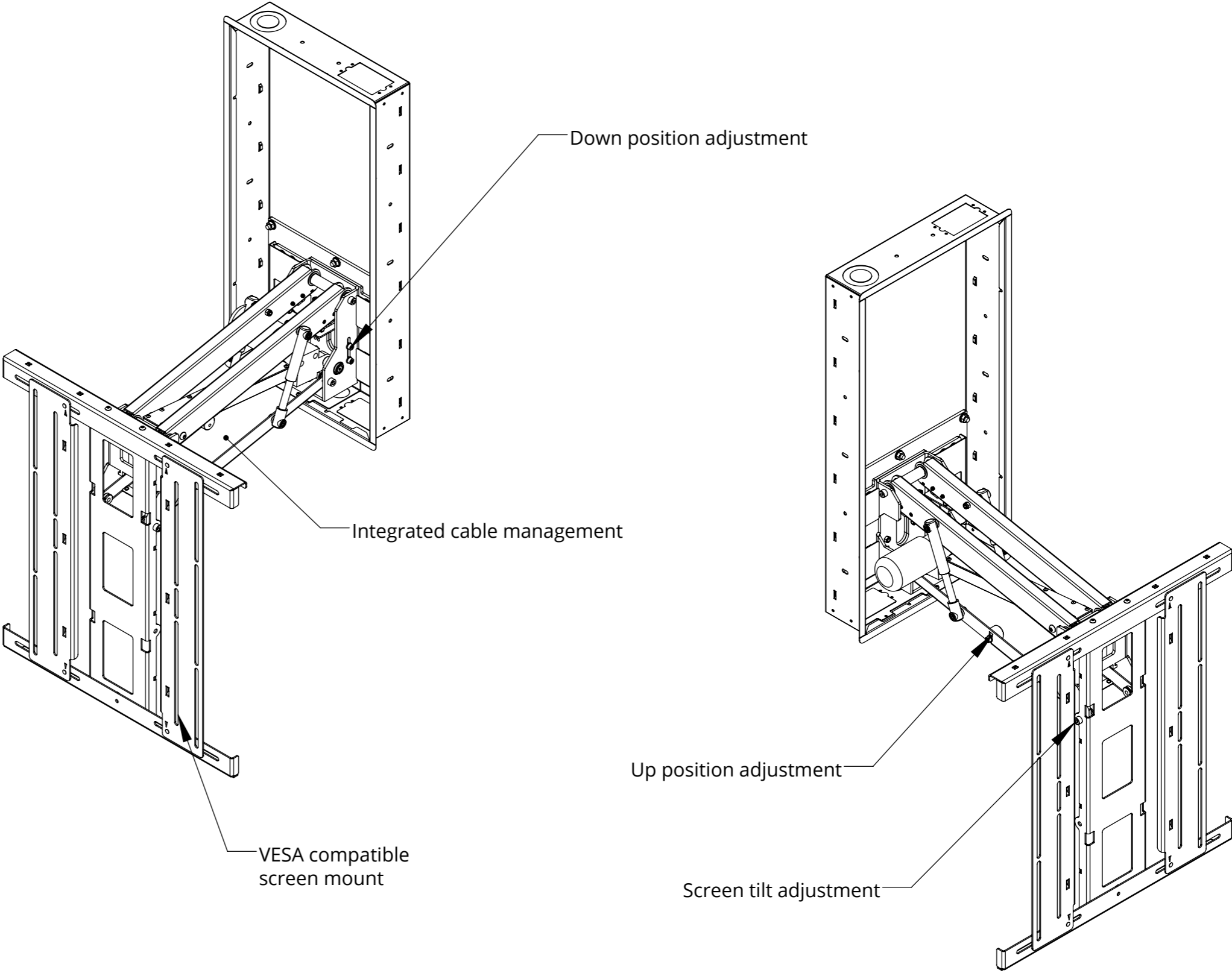
The EAD features a VESA compatible screen mount that can tilt up to $\pm 3^\circ$.

Quiet, smooth and fast DC motor drive system.

Screen mounting method similar to Future Automation PS bracket range. Easy, single person installation due to hook on screen mount design.

Integrated cable management ensures cables can be installed neatly and securely.

Adjustable switches allow end positions to be fine tuned to optimize viewing.



WB-EAD

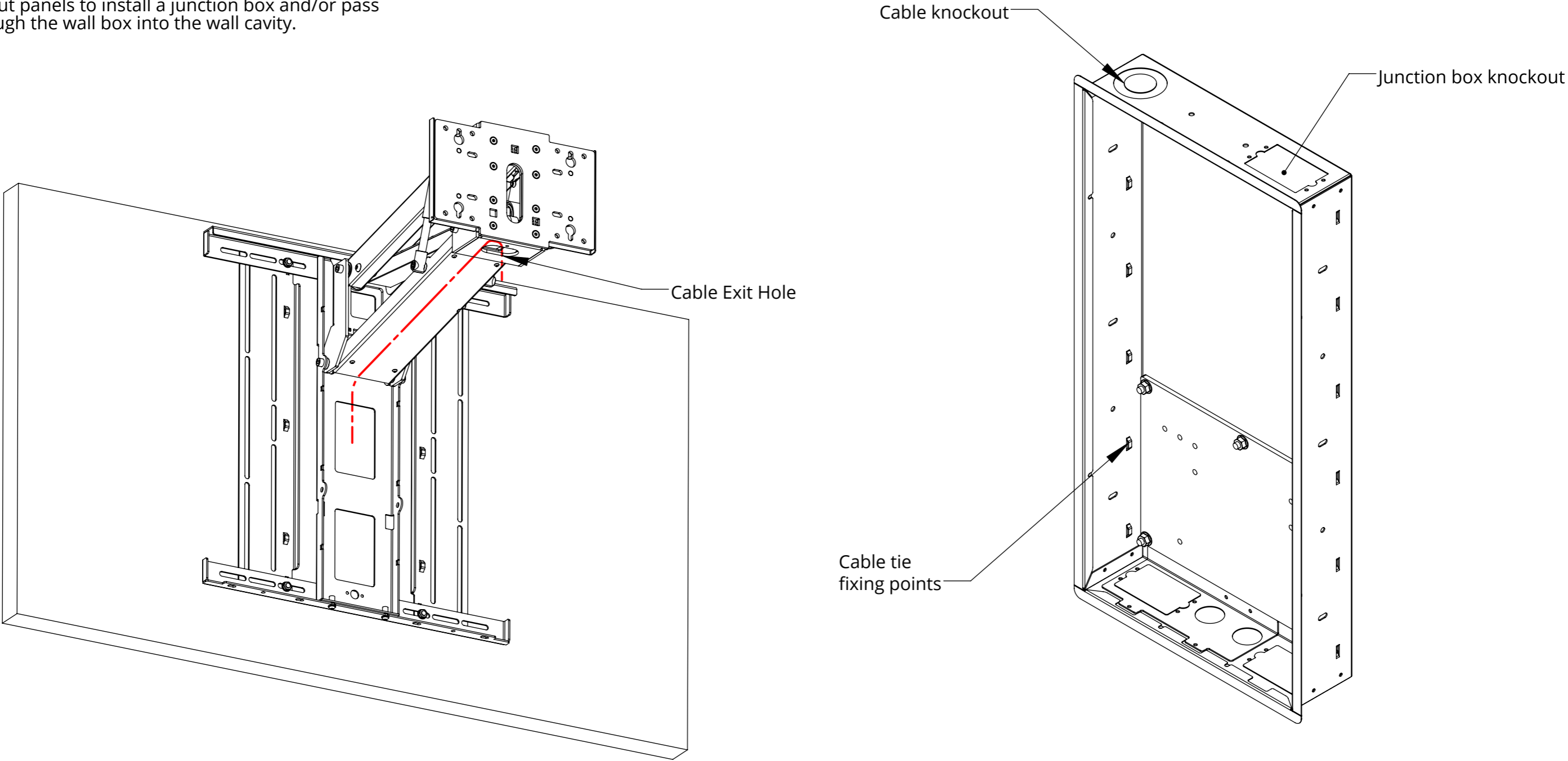
WALL BOX FOR ELECTRIC ADVANCE & DROP



Cable Routing

Using the integrated cable management on the EAD mount route the cable as shown ensuring sufficient slack at moving points.

Use the knockout panels to install a junction box and/or pass the cables through the wall box into the wall cavity.



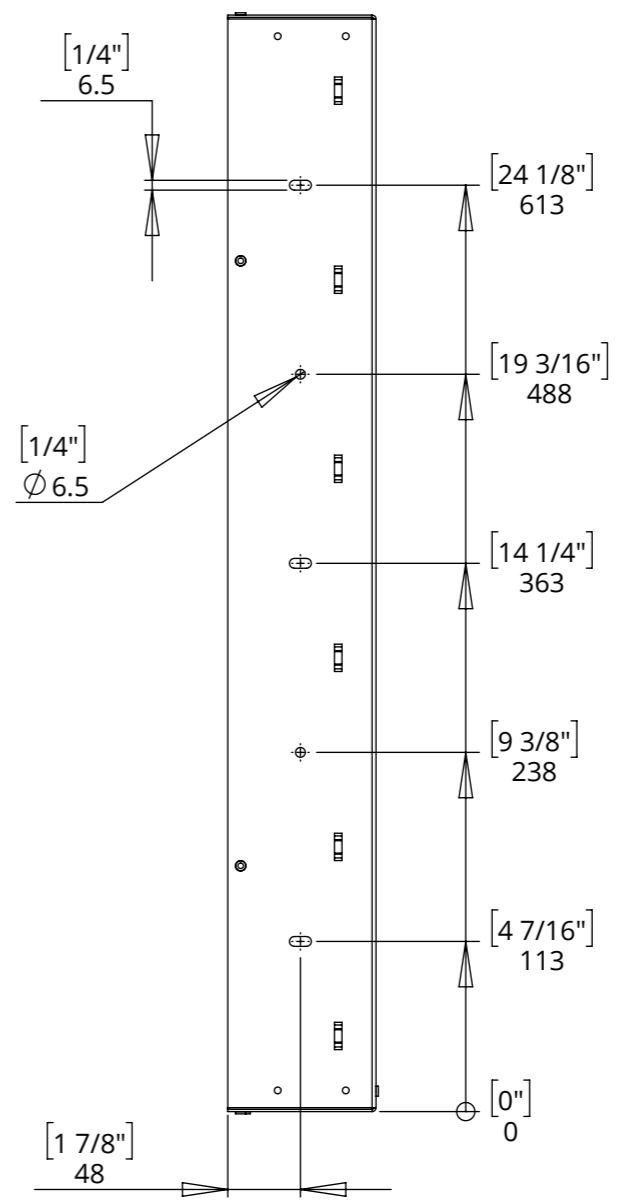
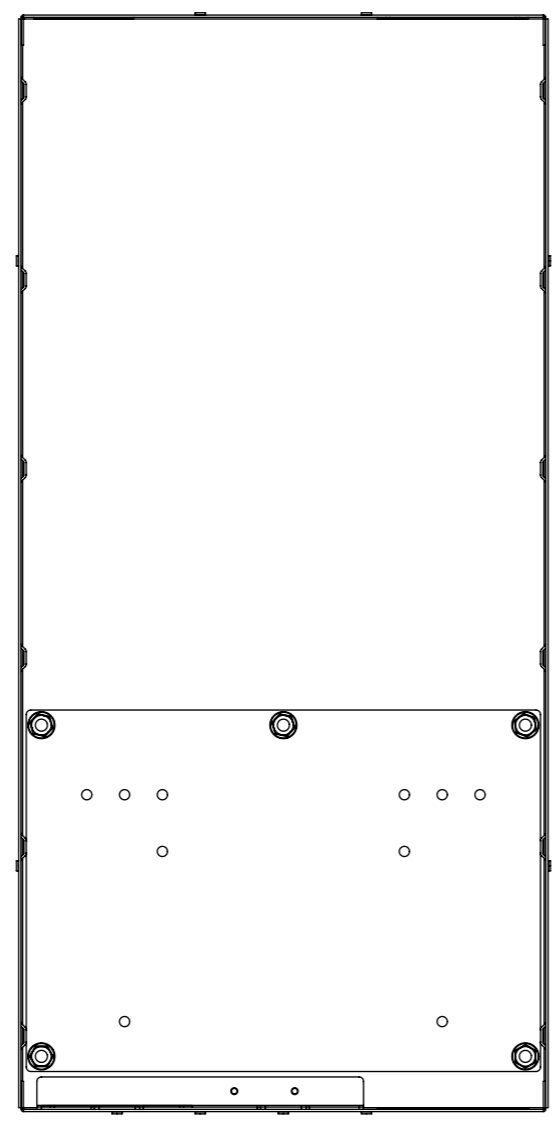
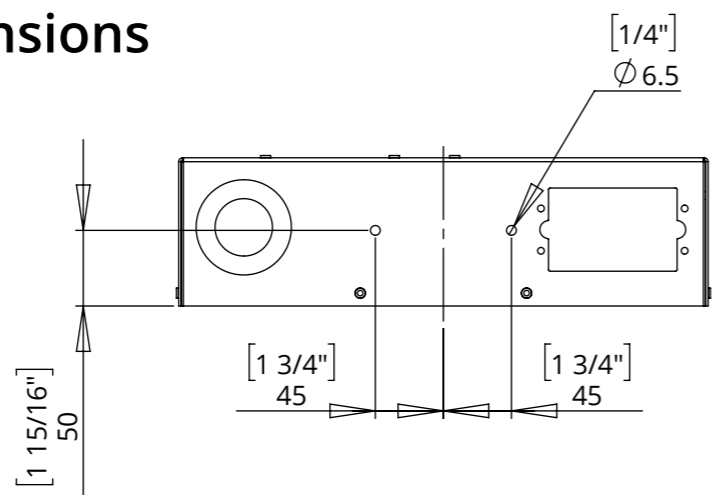
WB-EAD



future automation

WALL BOX FOR ELECTRIC ADVANCE & DROP

Wall Box Mounting Dimensions



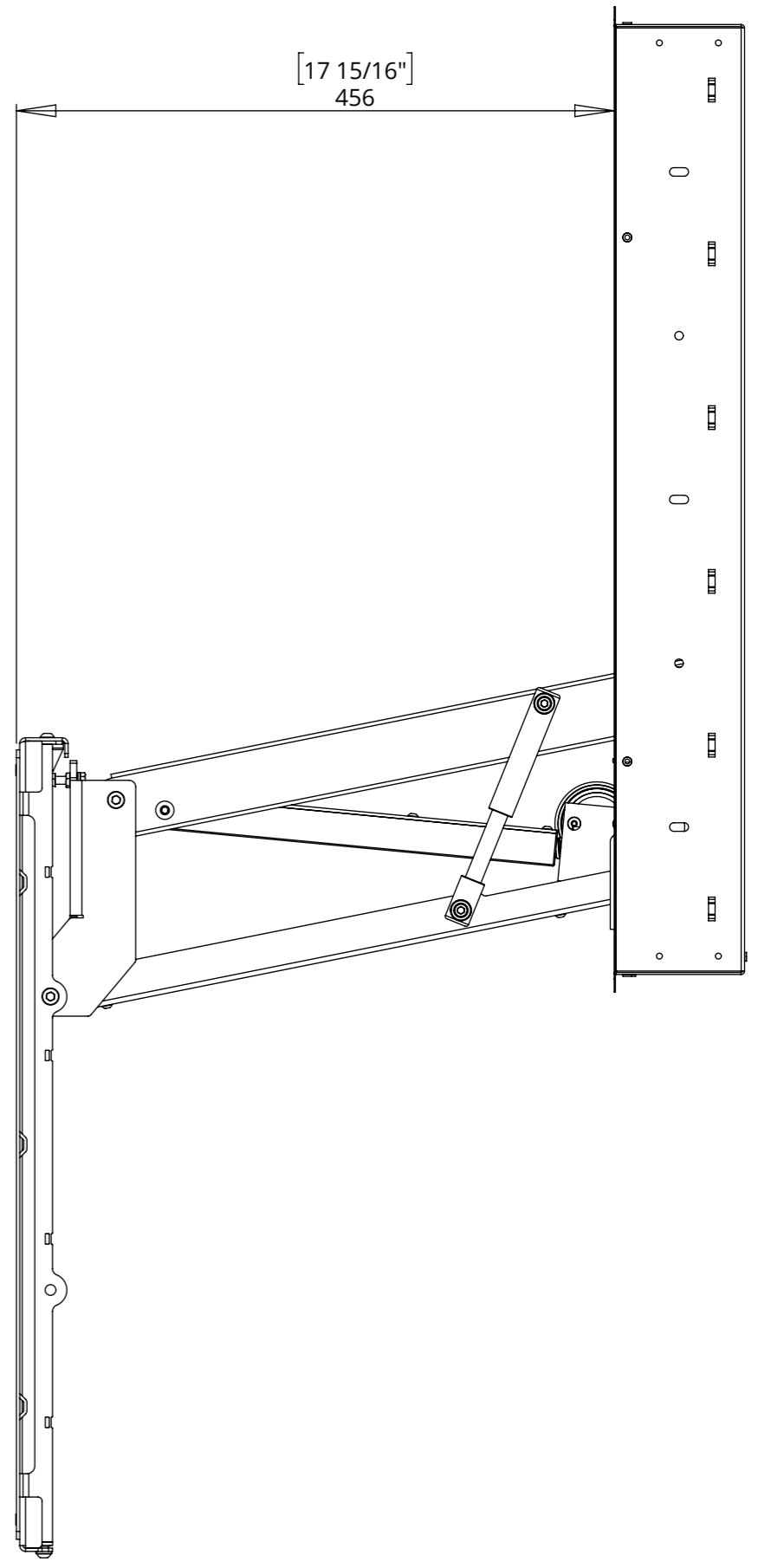
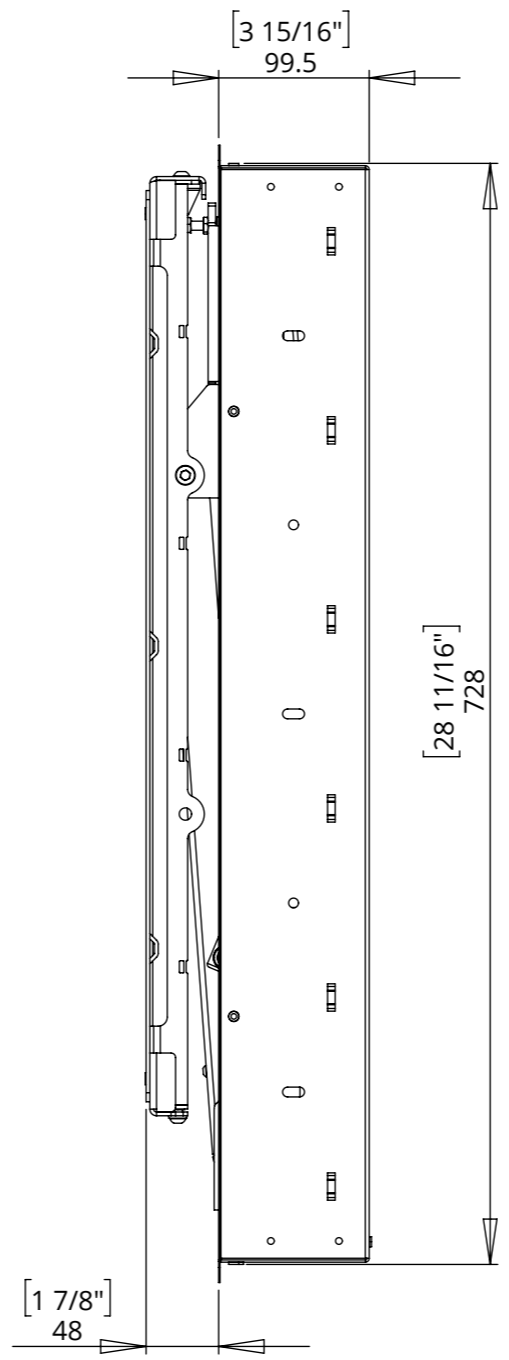
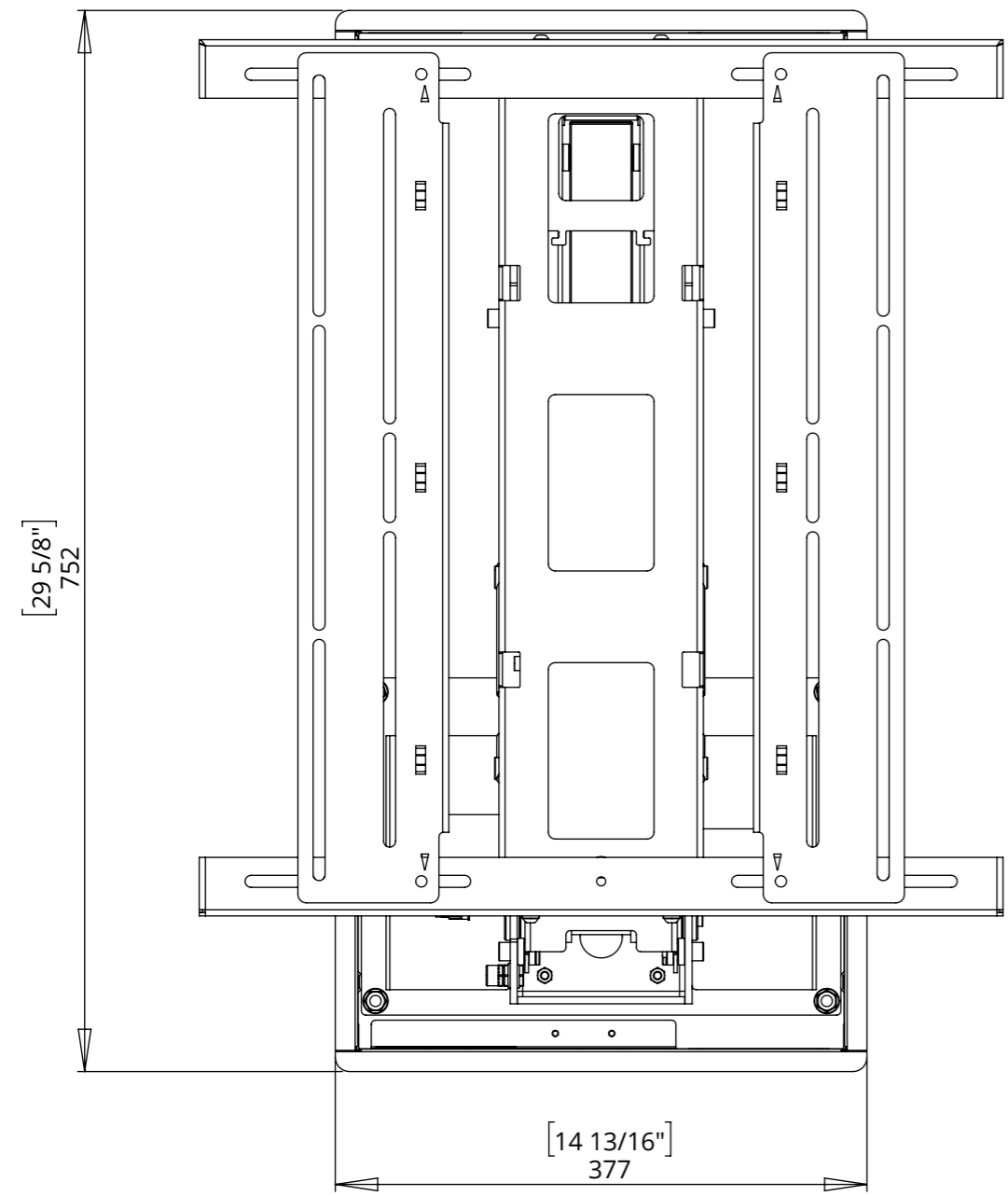
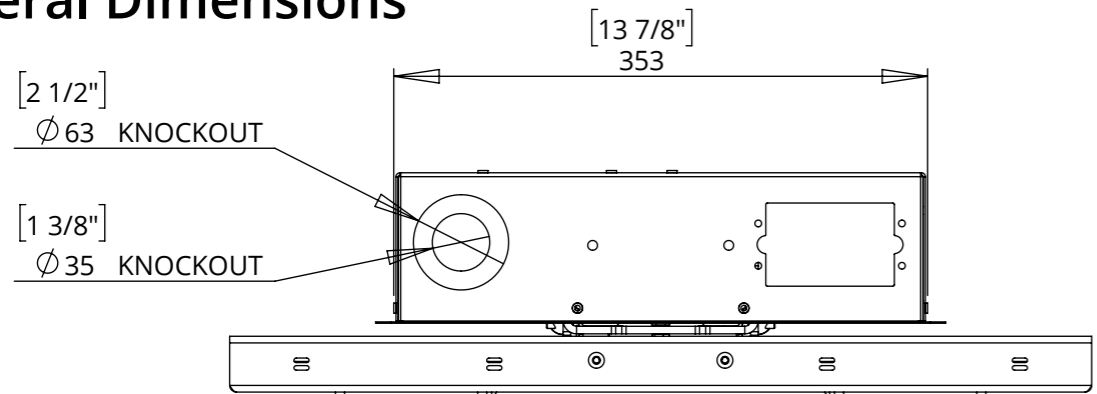
WB-EAD

WALL BOX FOR ELECTRIC ADVANCE & DROP



future automation

General Dimensions

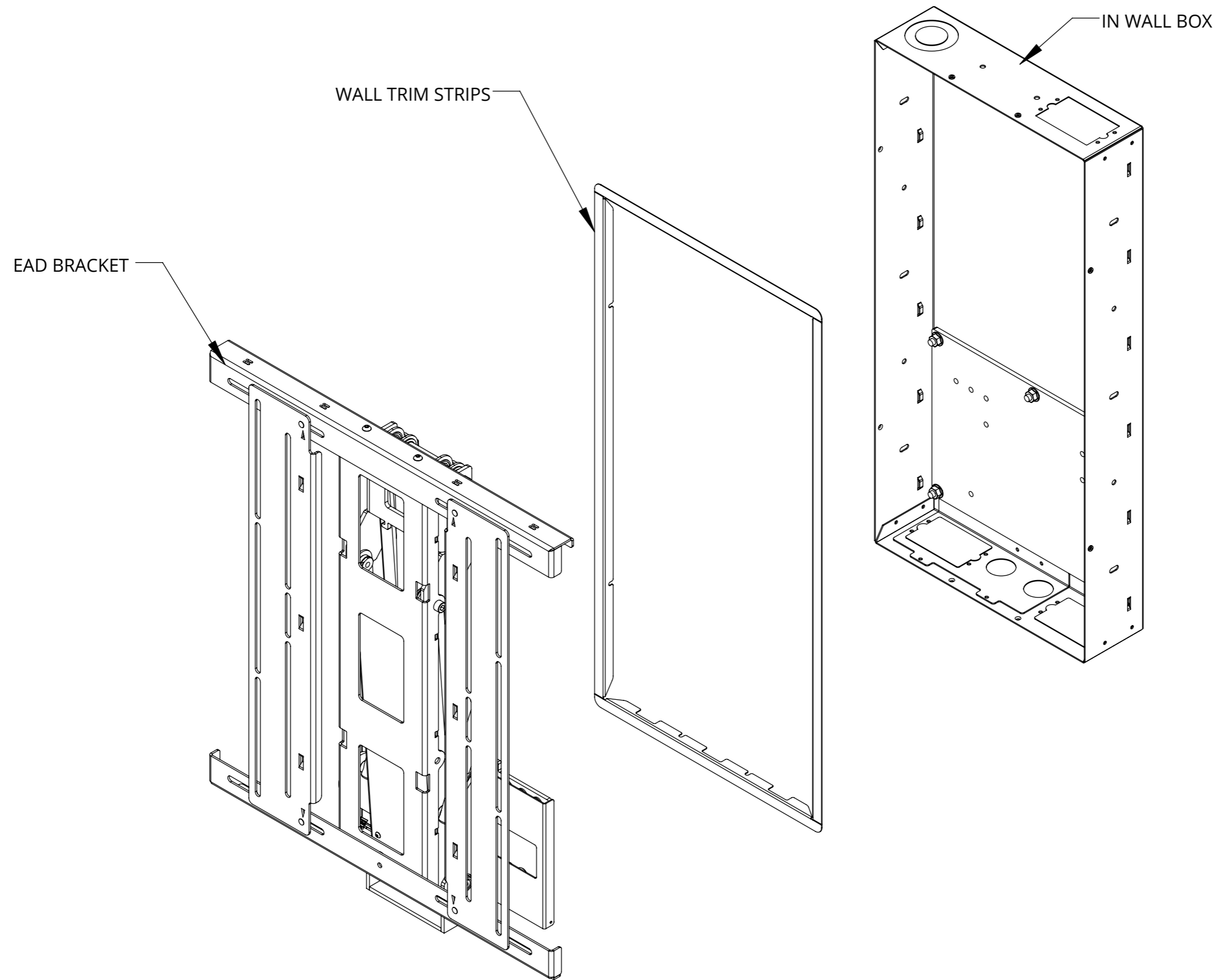


WB-EAD

WALL BOX FOR ELECTRIC ADVANCE & DROP

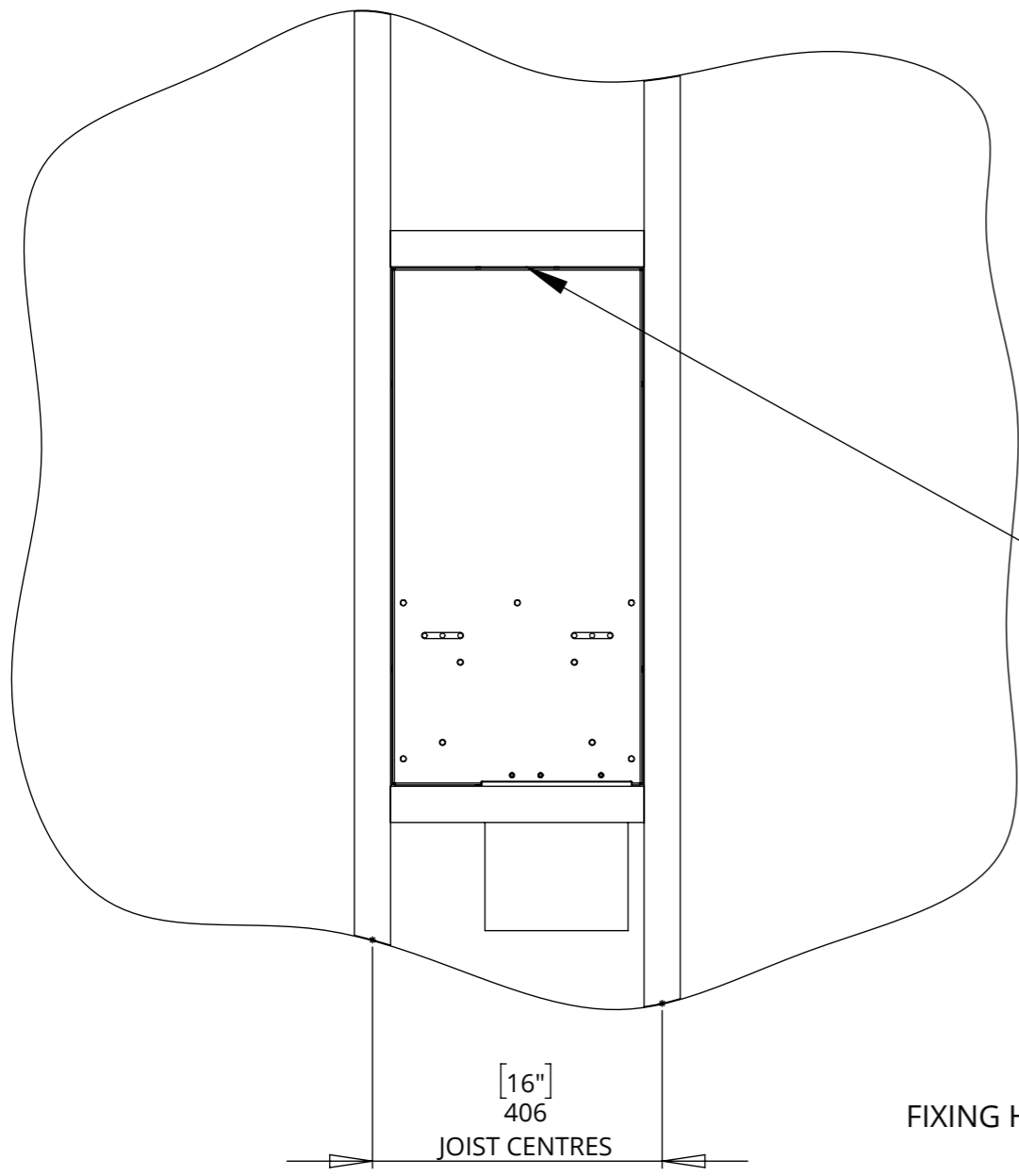


future automation



WB-EAD

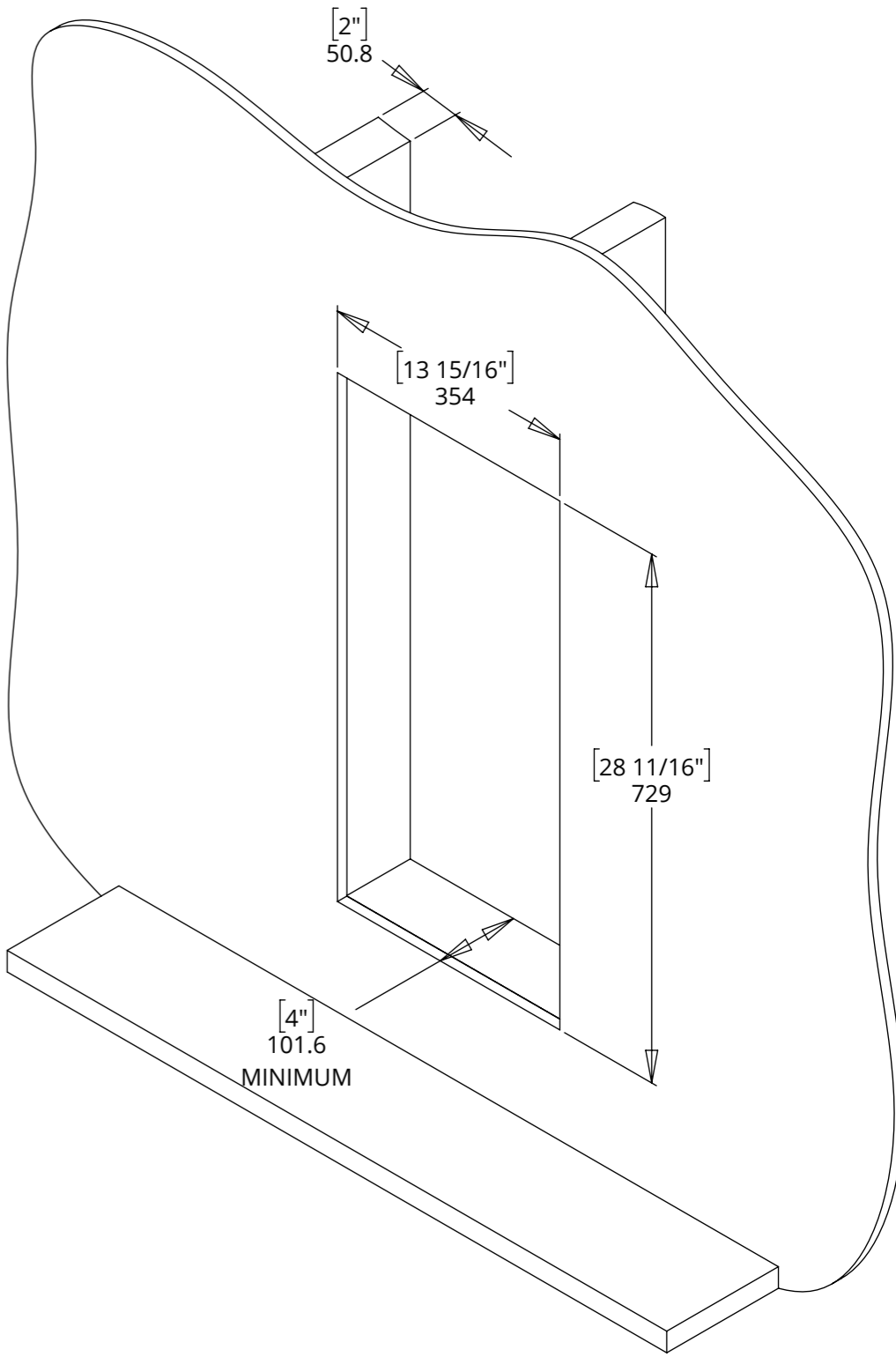
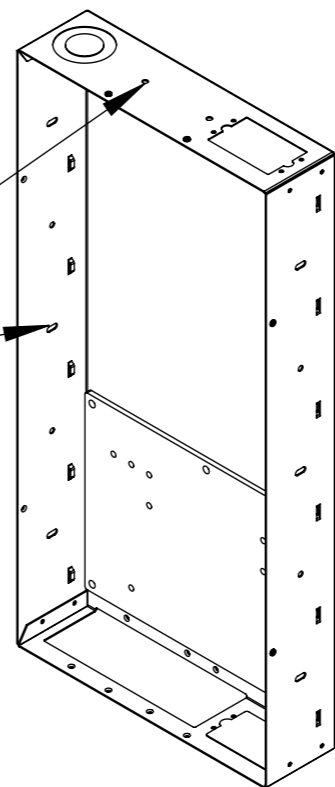
WALL BOX FOR ELECTRIC ADVANCE & DROP



HORIZONTAL JOISTS
TO SECURE WALL BOX TO

[16"]
406
JOIST CENTRES

FIXING HOLES



INSERT WALL BOX INTO THE VOID AS SHOWN
AND SECURE THROUGH SIDE FIXING HOLES