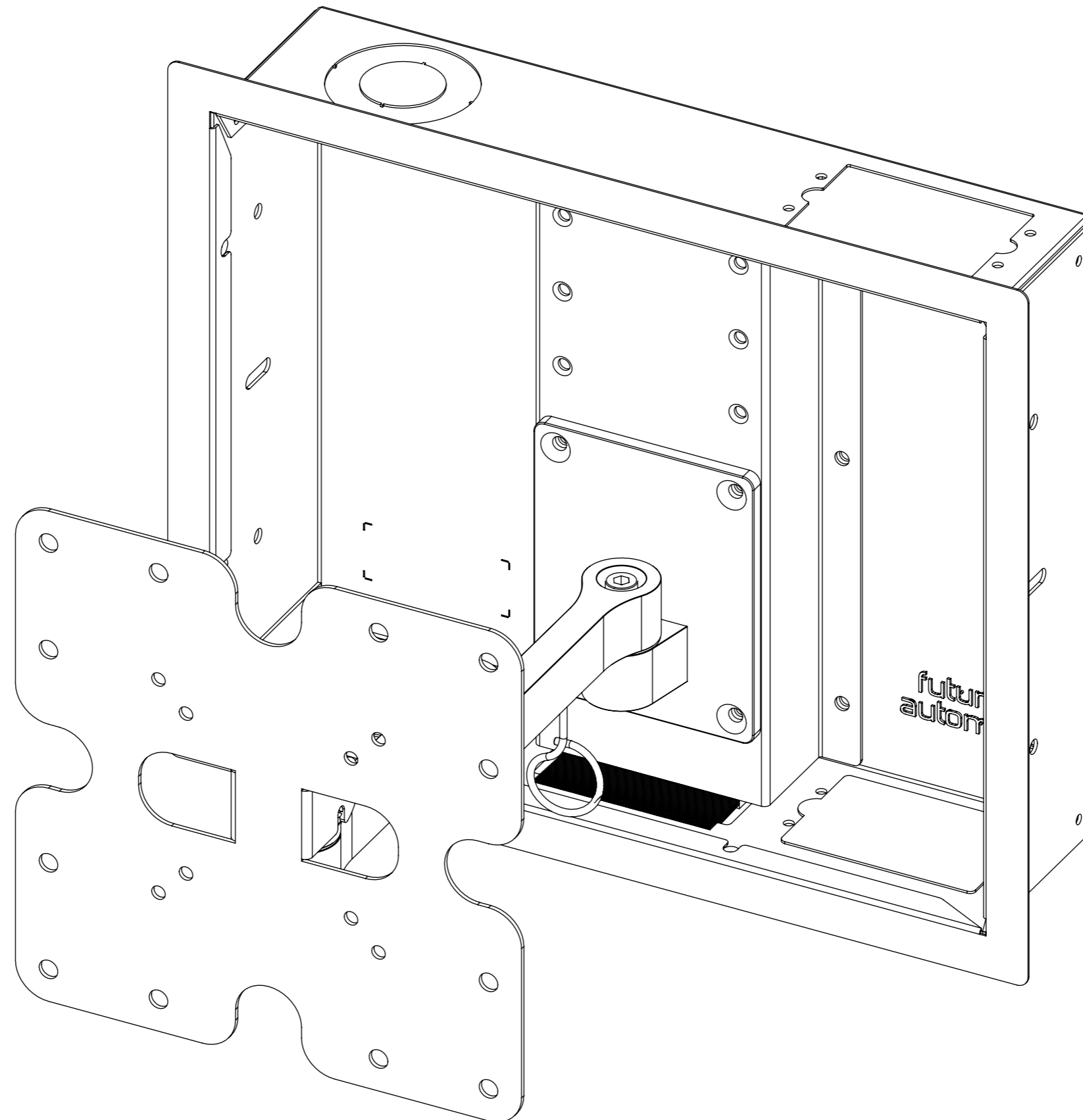


# WB-FSA1

## WALL BOX FOR FSA1



future automation



# WB-FSA1

## WALL BOX FOR FSA1

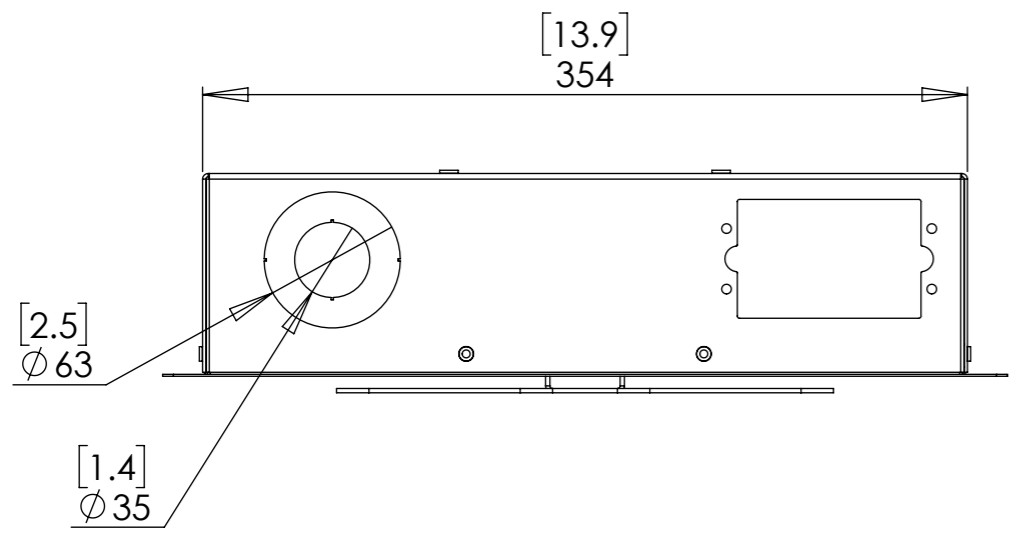


future automation

SPECIFICATION	MEASUREMENTS
Product Dimensions	391mm (15.4") x 326mm (12.8") x 95mm (3.75")
Screen Size	15" - 26"
Maximum Weight Capacity	10Kg (22lb)
Maximum Extension From Wall	285mm (11.2")
Depth From Wall	9mm (0.3")
Maximum Rotation	180° - Both ways
Movement Type	Manual
Mounting Patterns Supported	VESA 200, 100, 75 W x 200, 100, 75 H
Product Options / Features	Custom RAL paint finishes
Package Contents	Wall Box, Trim Panels, Upright, Brush Seal
Marine Suitable	No

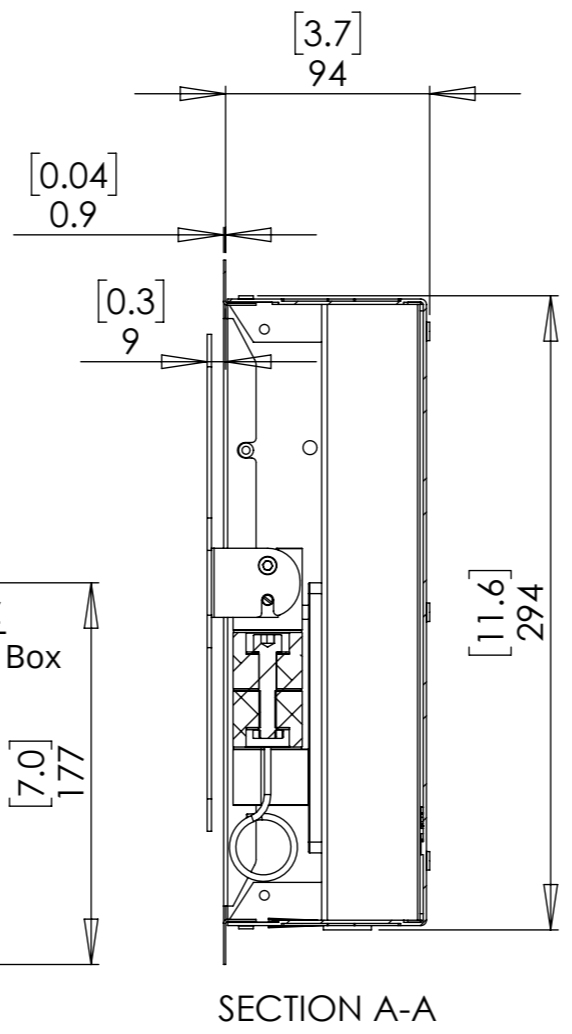
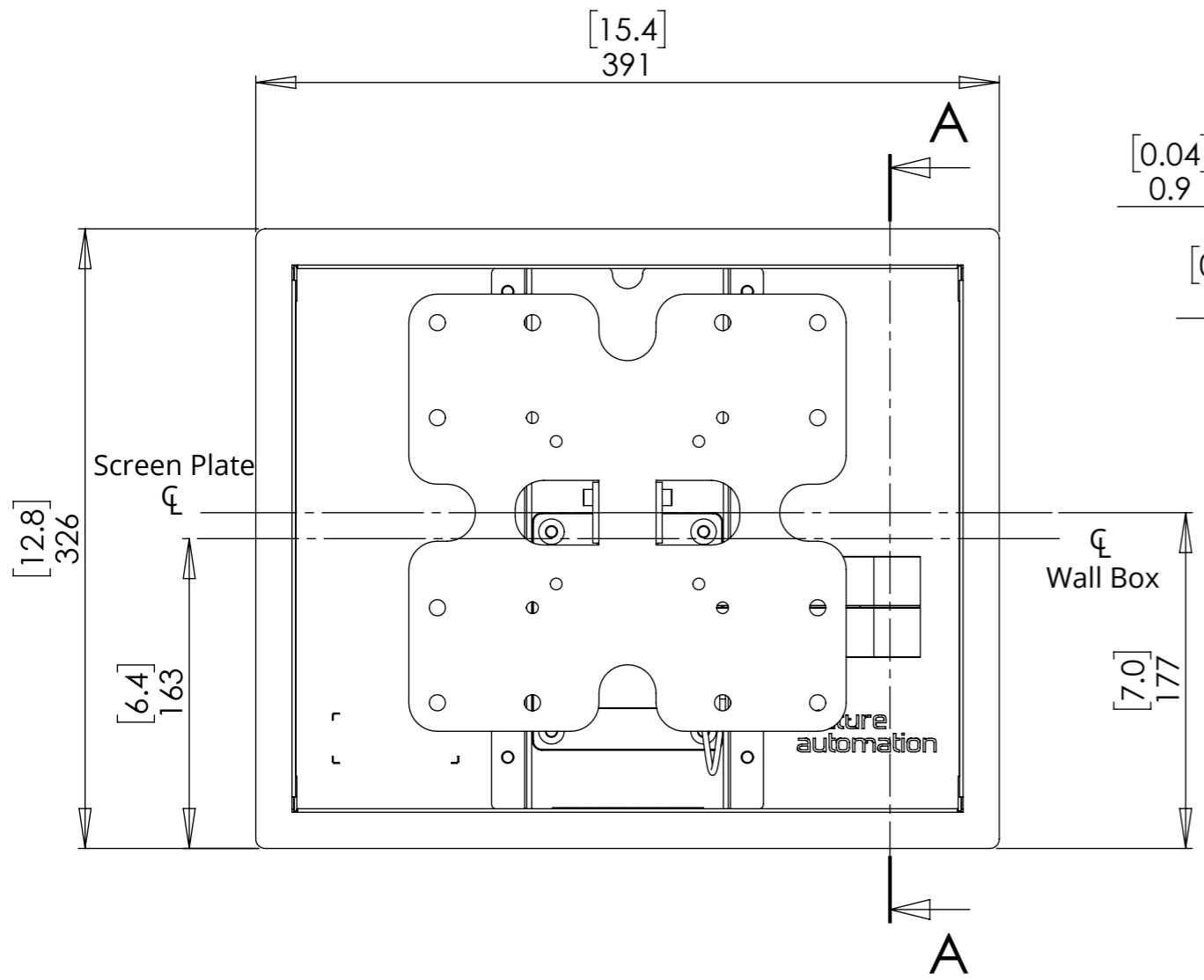
# WB-FSA1

## WALL BOX FOR FSA1

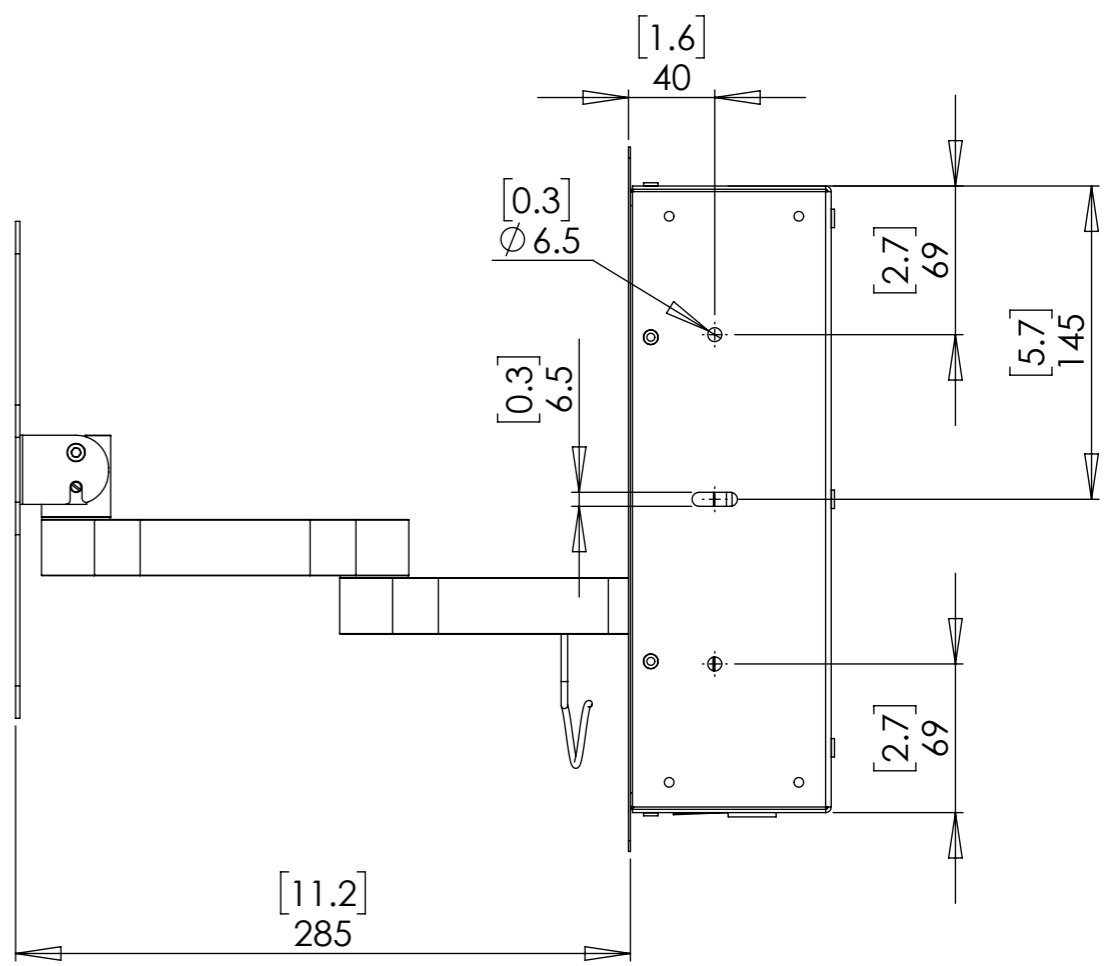


Supports Vesa Patterns:  
 VESA 75x75  
 VESA 100x100  
 VESA 100x200  
 VESA 200x100  
 VESA 200x200

MOUNT SHOWN IN LOWEST POSITION



MAXIMUM SCREEN EXTENSION 285 [11.2]



CAN BE RAISED IN 35mm [1.4]  
 INCREMENTS A TOTAL OF 105mm [4.1]

# WB-FSA1

## WALL BOX FOR FSA1

