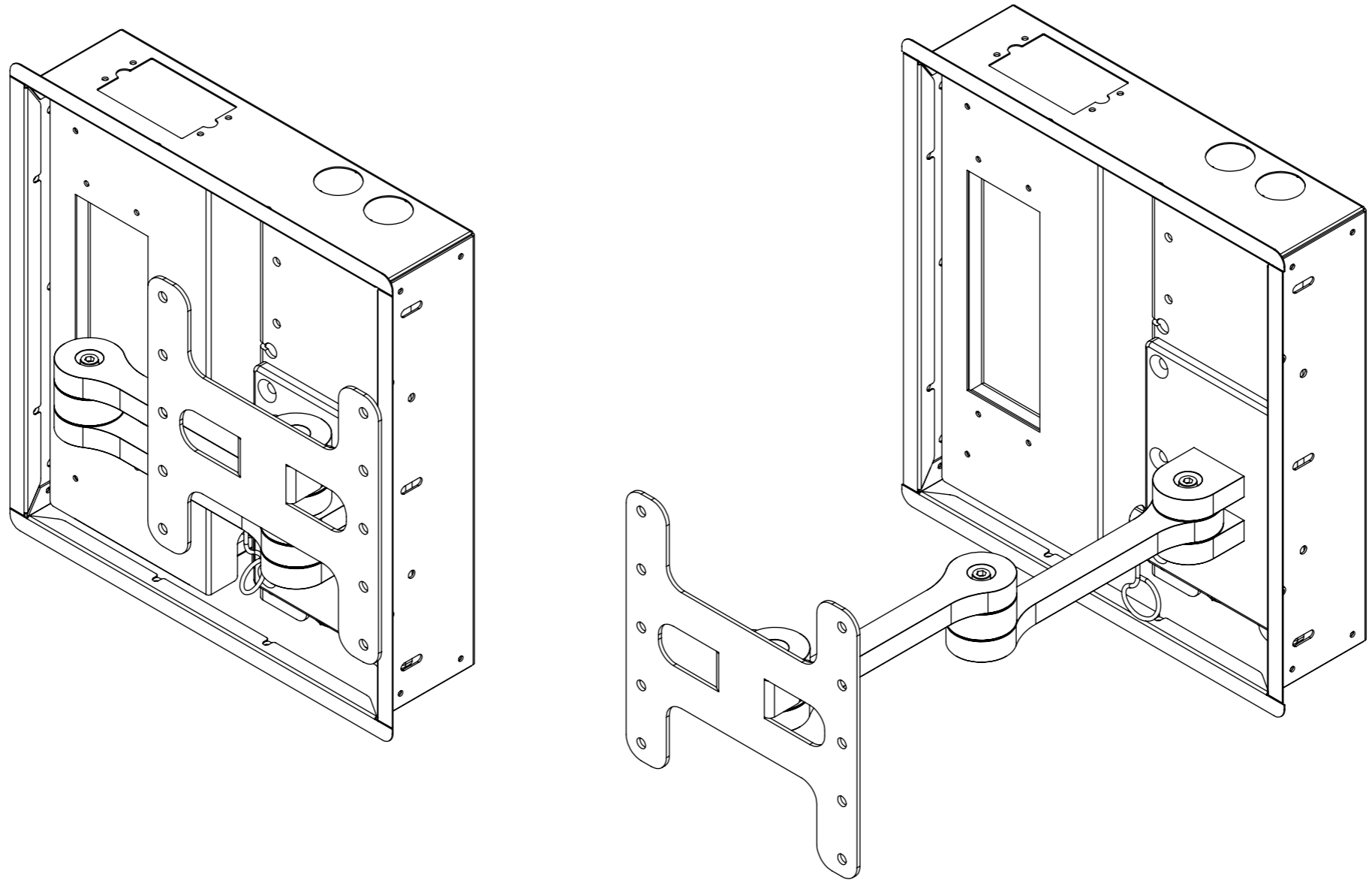




### DESIGN HIGHLIGHTS

- Adjustable tilt function
- Bi-directional swivel motion up to 90°
- Stylish look and finish
- Outer trim panel for neat finish
- Cable knockout holes
- Integrated cable management



### FUNCTION

A wall box for mounting the FSA2 Mount in a recess to allow for an ultra slim installation

### SUITABILITY

The WB FSA2 is suitable for installation in 16" stud walls

The FSA2 mount is suitable for screens with VESA 200 mount pattern.

The FSA3 mount is suitable for screens from 26" up to 37" with a max weight of 15kg.

### SPECIFYING

Check wall makeup to decide on fixings to be used.

Check viewing angles and position for feasibility.

Check screen details for mounting possibilities.

### CONTROL

Manual operation.

### WARNING IMPORTANT

It is the responsibility of the installer to make sure the product is safely secured to the wall or ceiling.

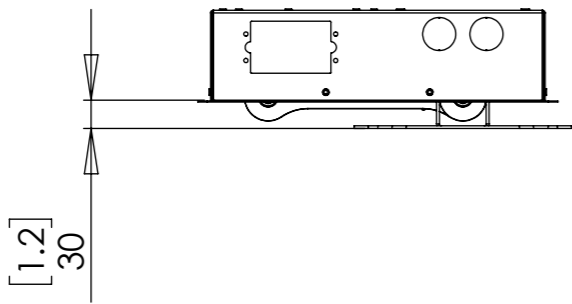
Cable management is neatly organised and will not be obstructed or pinched by the bracket.

### FSA 2 DESIGN HIGHLIGHTS

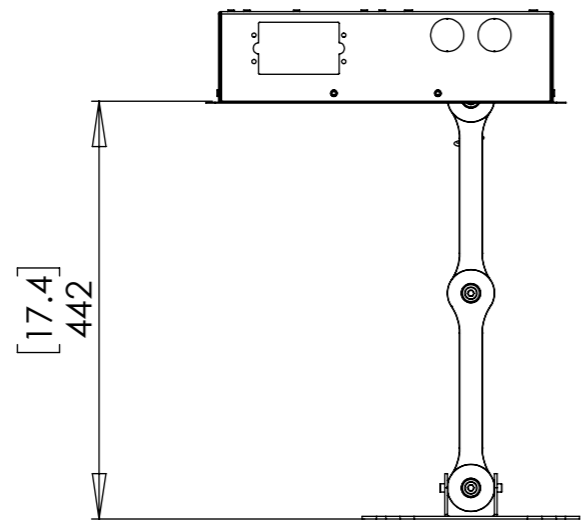
The double arm design allows the screen to be fully moved away from the wall and rotated in both directions for multiple viewing angles.

Ideal for installations in kitchens and bedrooms.

**IN POSITION WHEN INSTALLED IN WALL BOX**

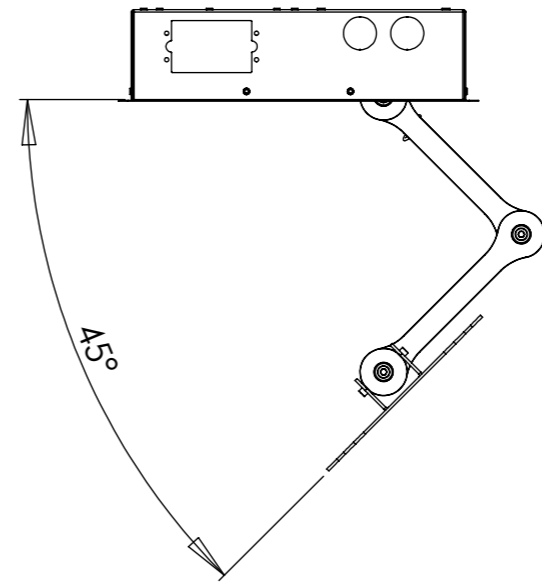


**MAXIMUM EXTENSION**



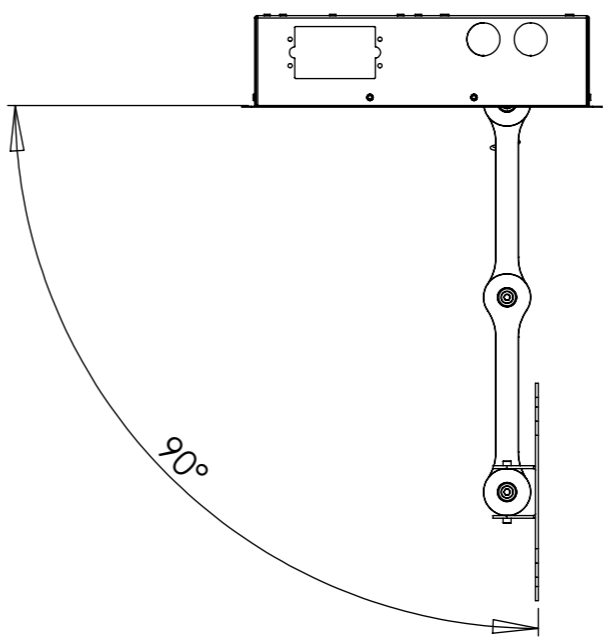
**ANGLED AT 45°**

**NOTE: LARGER SCREENS MAY NOT ACHIEVE THIS ANGLE**



**ANGLED AT 90°**

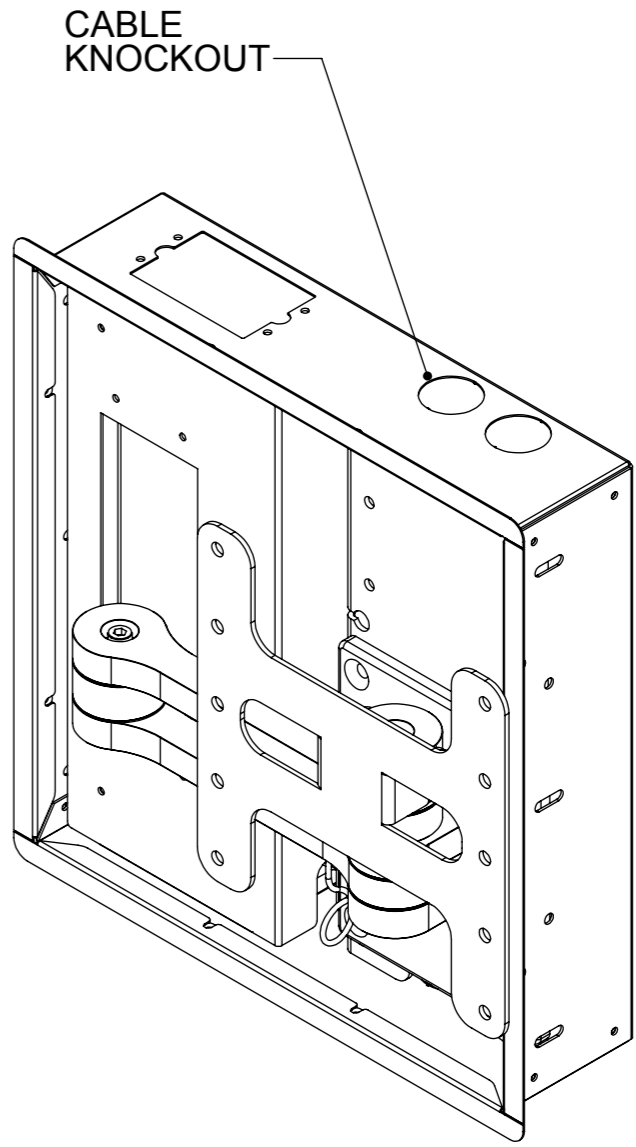
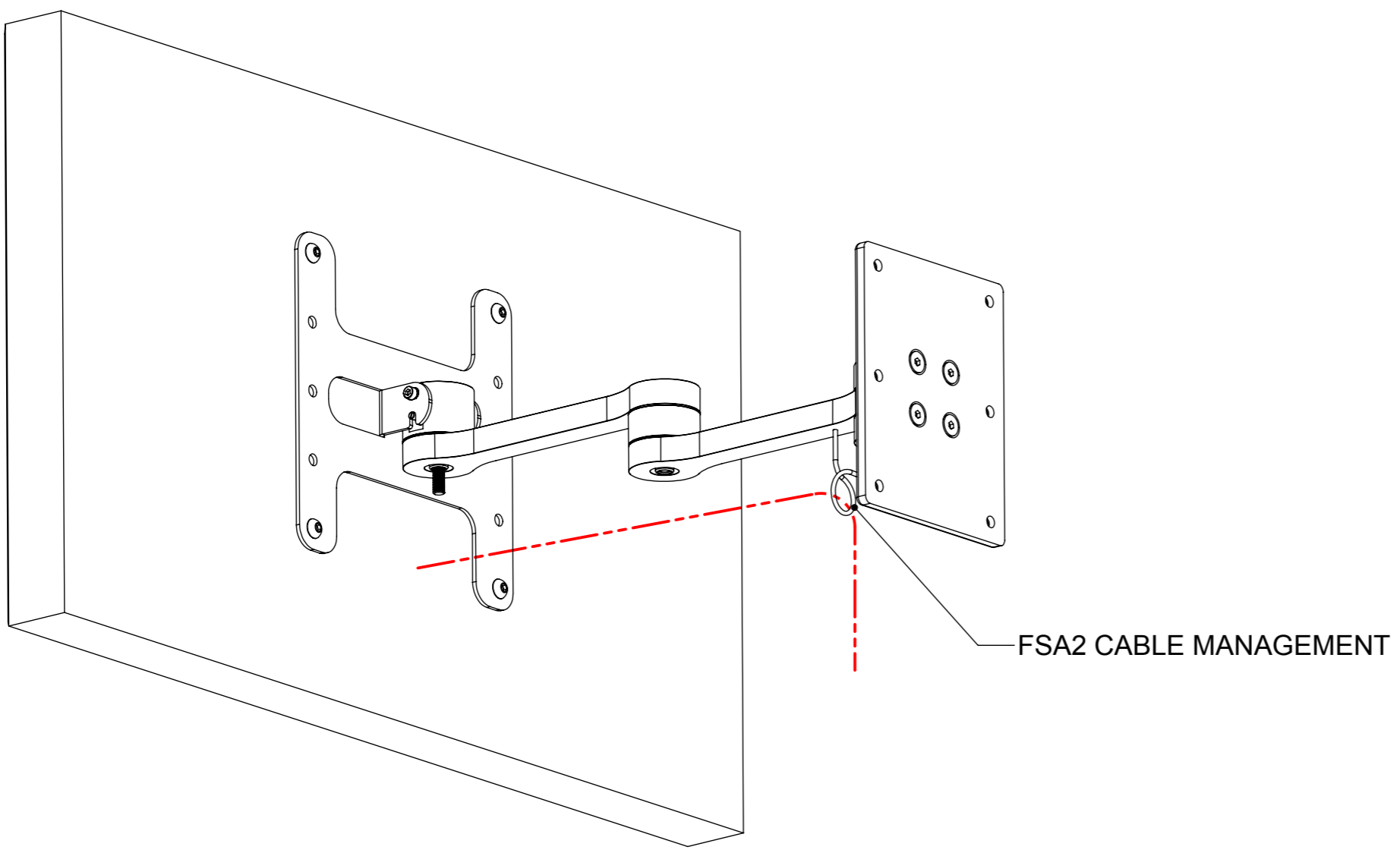
**NOTE: LARGER SCREENS MAY NOT ACHIEVE THIS ANGLE**



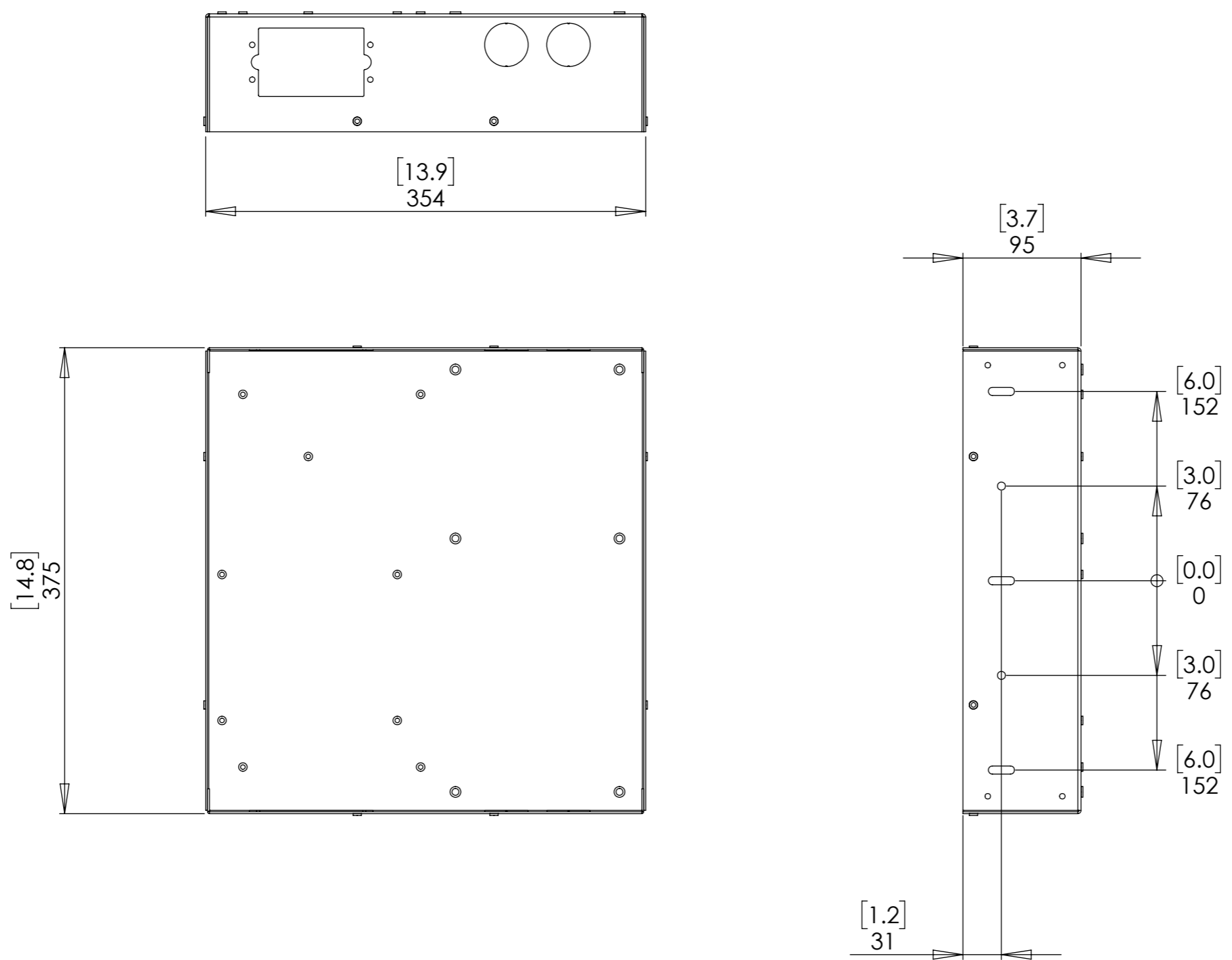
## Cable Routing

Using the integrated cable management on the FSA2 mount route the cable as shown ensuring sufficient slack at moving points.

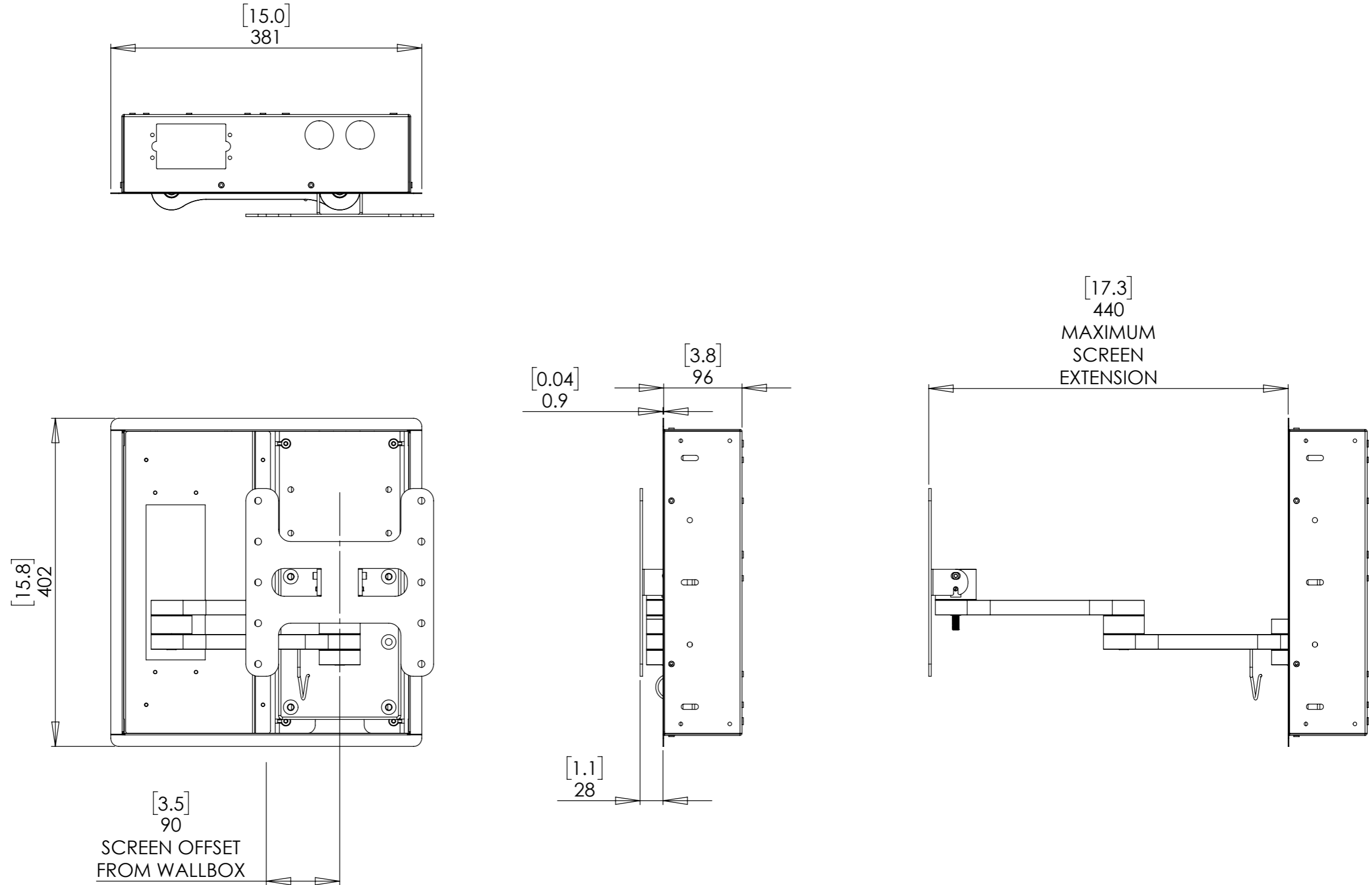
Use the knockout panels to pass the cables through the wall box into the wall cavity.

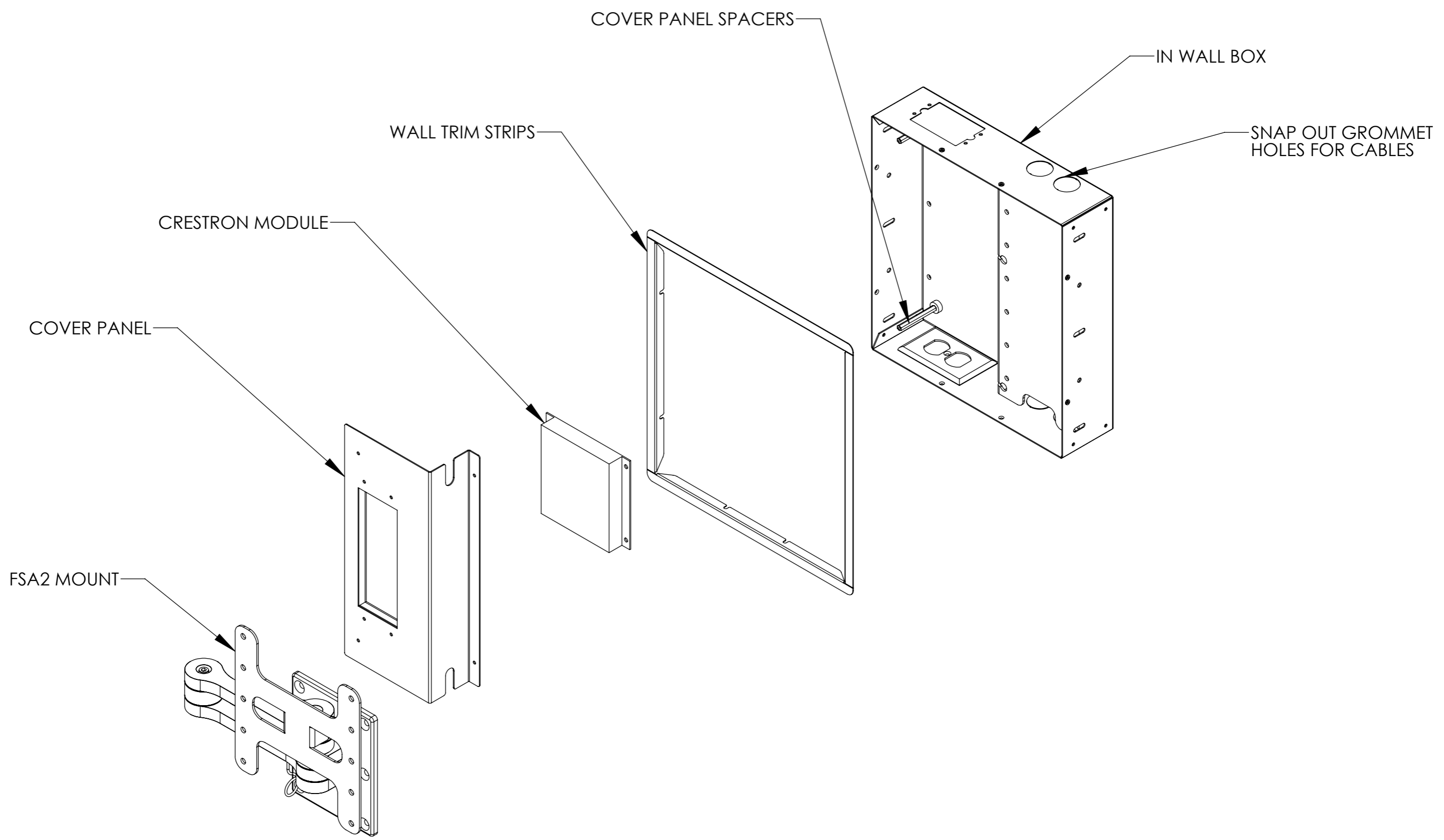


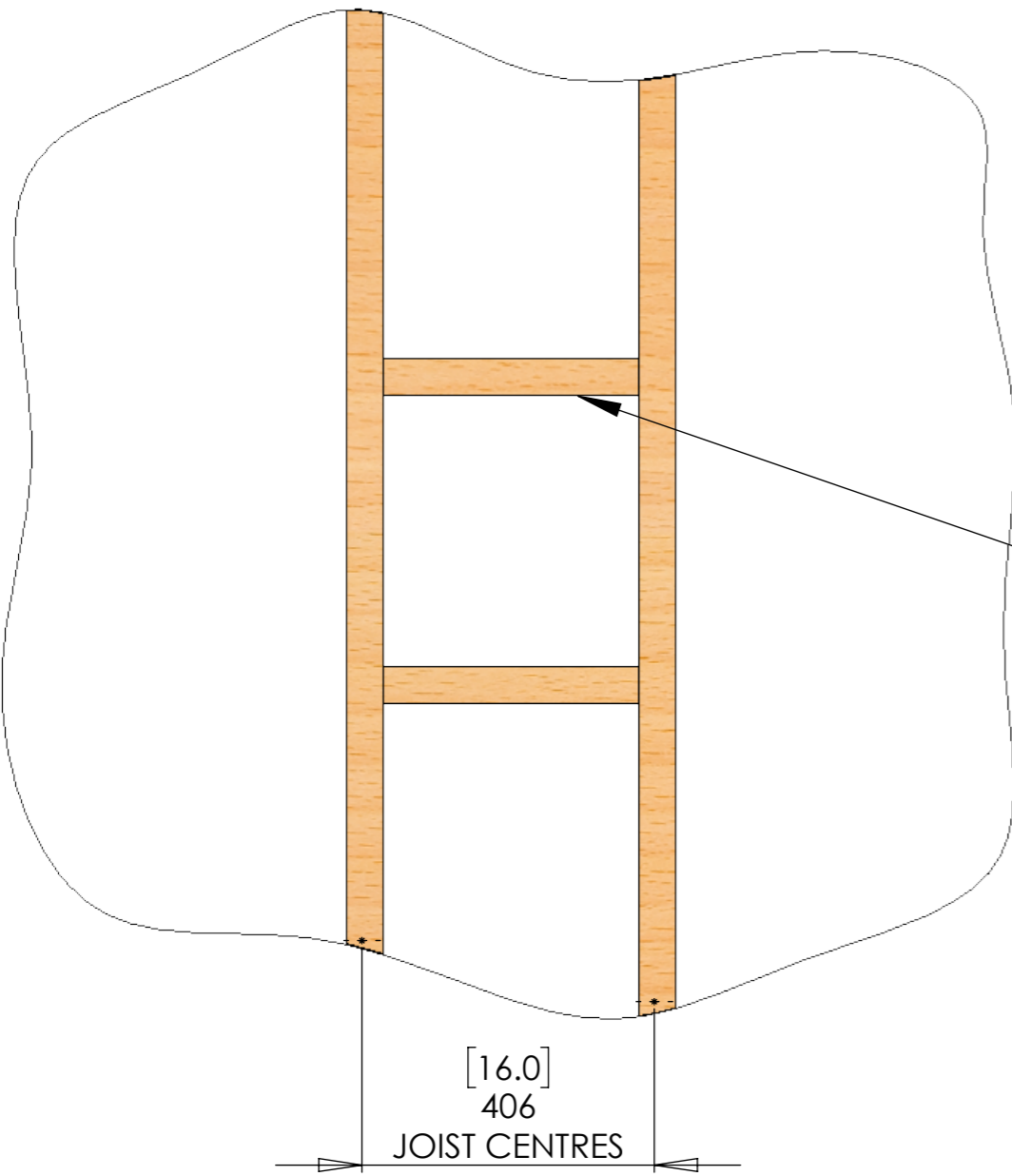
### Wall Box Mounting Dimensions



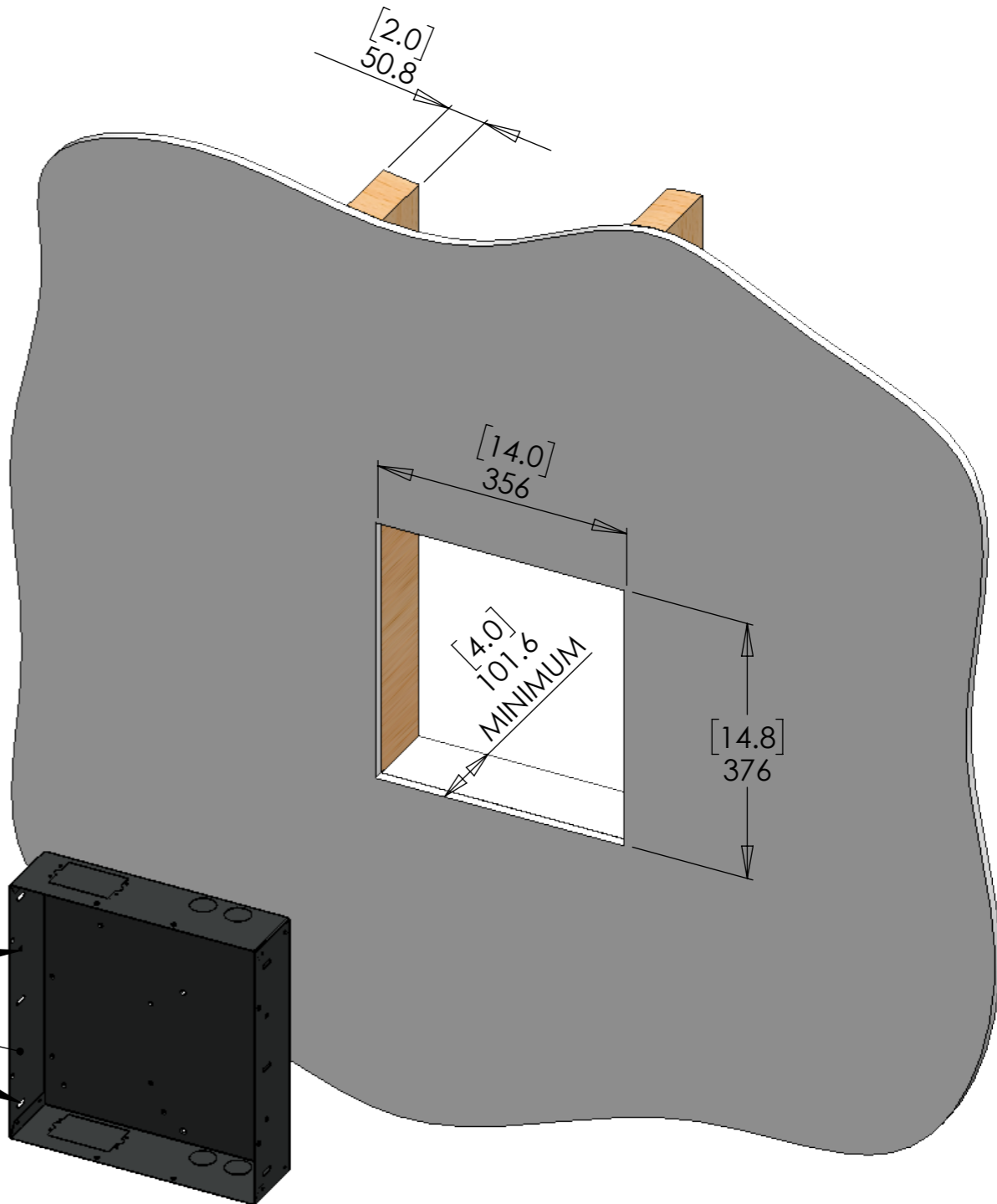
### General Dimensions







HORIZONTAL JOISTS  
TO SECURE WALL BOX TO



FIXING HOLES

INSERT WALL BOX INTO THE VOID AS SHOWN  
AND SECURE THROUGH SIDE FIXING HOLES