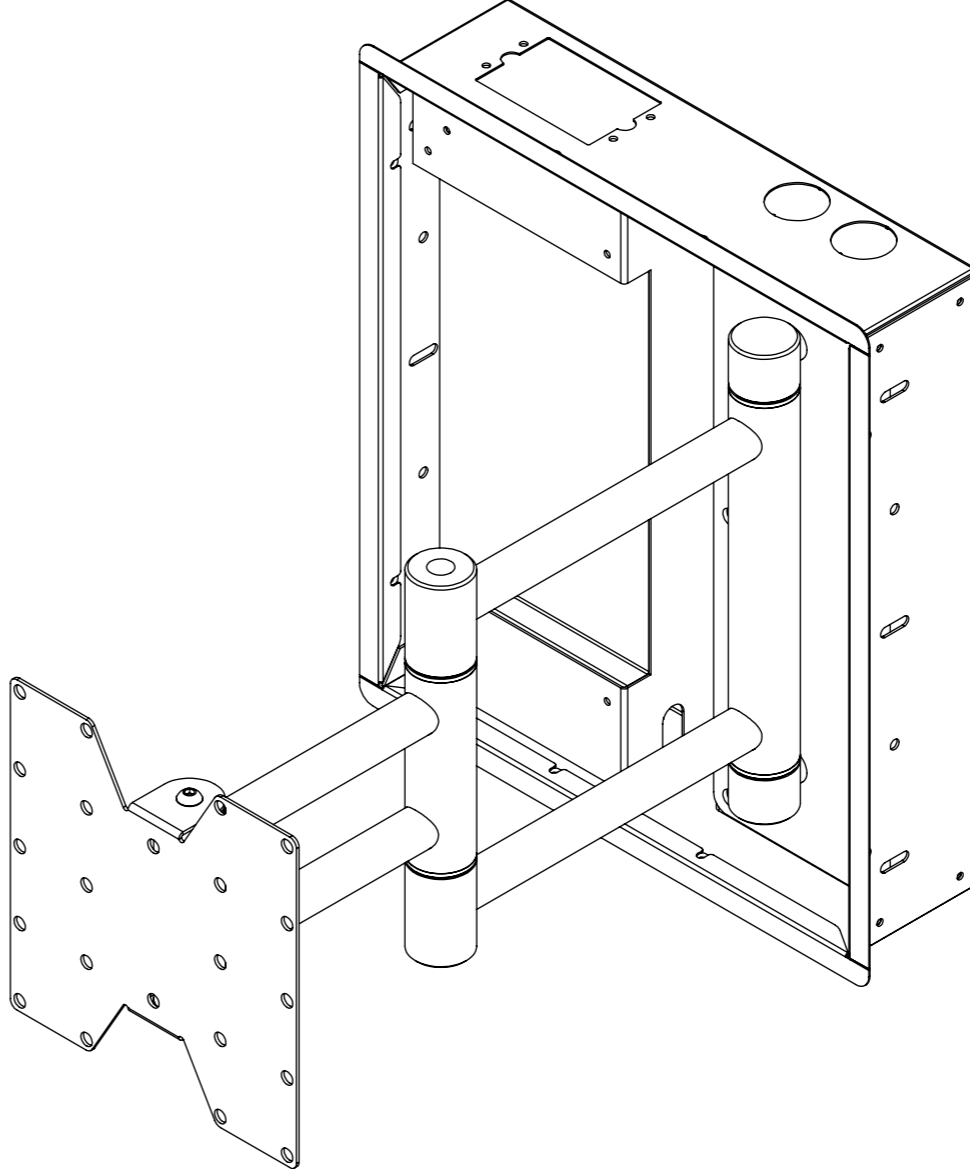
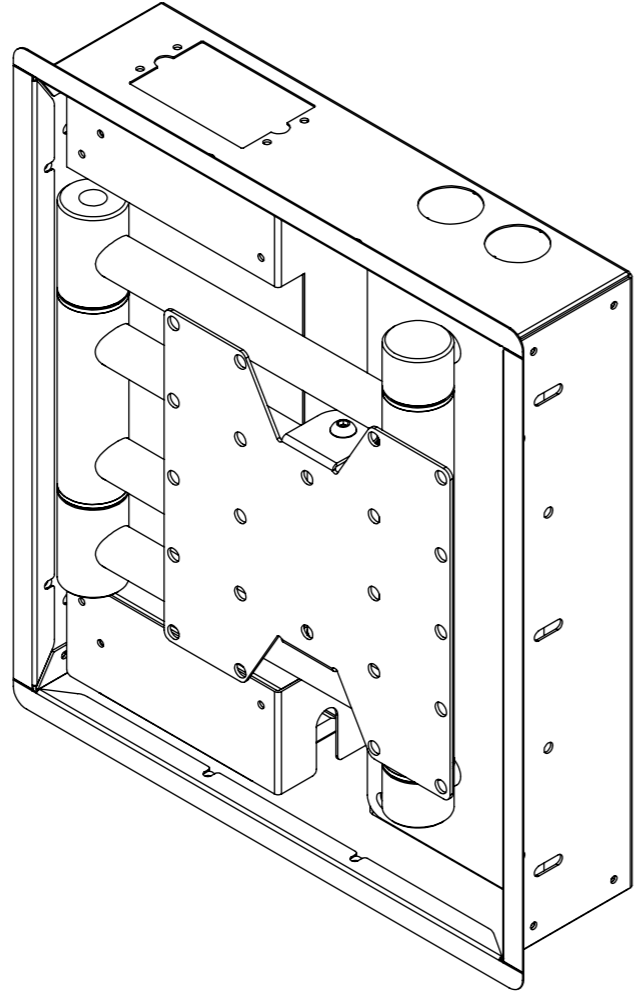


DESIGN HIGHLIGHTS

- Bi-directional swivel motion up to 50°
- Stylish look and finish
- Outer trim panel for neat finish
- Cable knockout holes



FUNCTION

A wall box for mounting the FSH Mount in a recess to allow for an ultra slim installation

SUITABILITY

The WB FSH is suitable for installation in 16"stud walls

The FSH mount is suitable for screens with up to VESA 200 mount pattern.

The FSH mount is suitable for screens from 26" up to 55" with a max weight of 25kg [55 lbs]

SPECIFYING

Check wall makeup to decide on fixings to be used.

Check viewing angles and position for feasibility.

Check screen details for mounting possibilities.

CONTROL

Manual operation.

WARNING IMPORTANT

It is the responsibility of the installer to make sure the product is safely secured to the wall or ceiling.

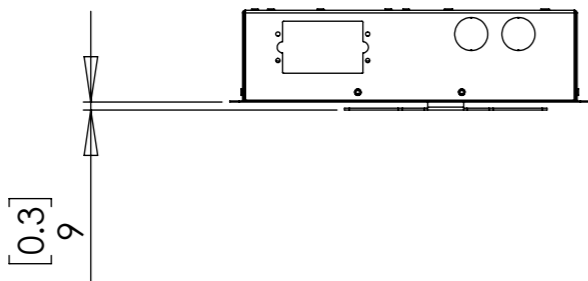
Cable management is neatly organised and will not be obstructed or pinched by the bracket.

FSH DESIGN HIGHLIGHTS

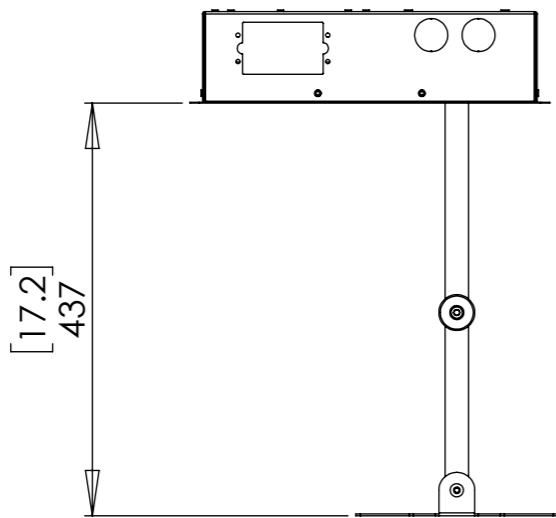
The double arm design allows the screen to be fully moved away from the wall and rotated in both directions for multiple viewing angles.

Ideal for installations in kitchens and bedrooms.

IN POSITION WHEN INSTALLED IN WALL BOX

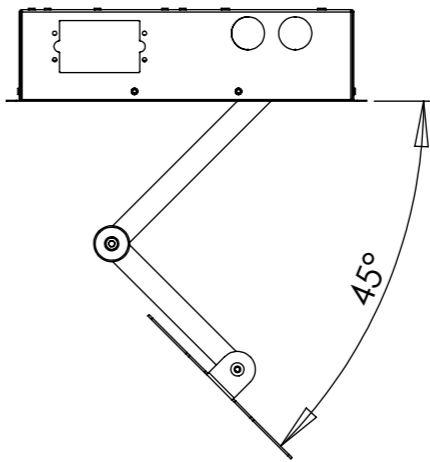


MAXIMUM EXTENSION



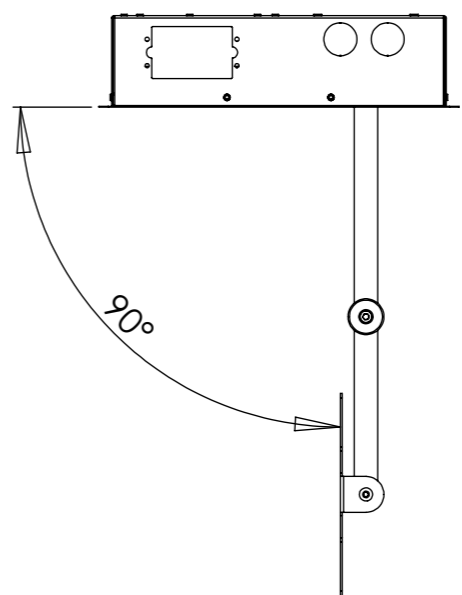
ANGLED AT 45°

NOTE: LARGER SCREENS MAY NOT ACHIEVE THIS ANGLE



ANGLED AT 90°

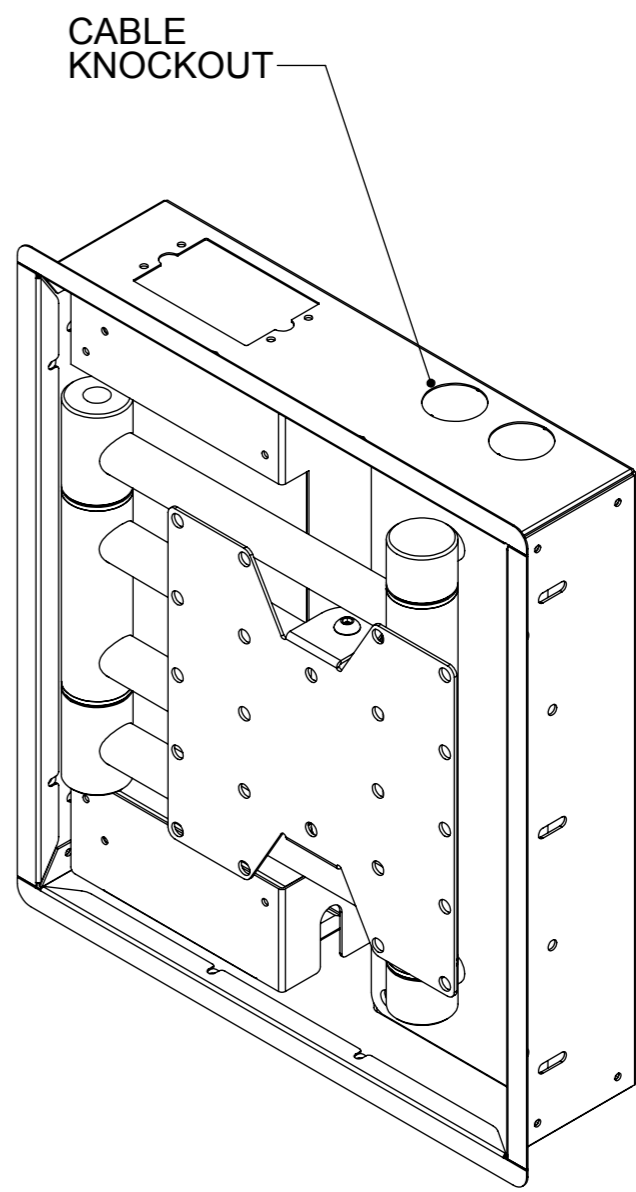
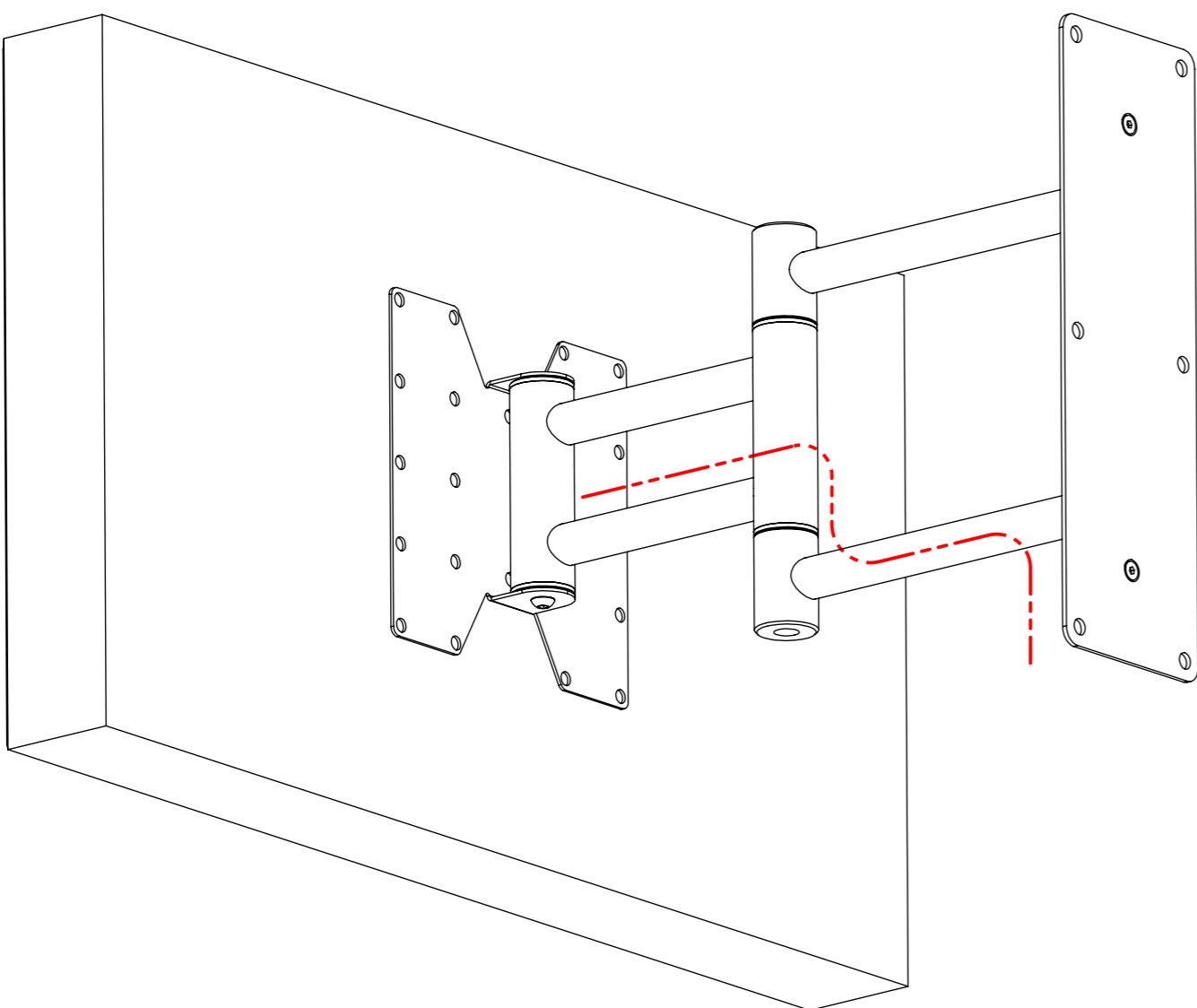
NOTE: LARGER SCREENS MAY NOT ACHIEVE THIS ANGLE



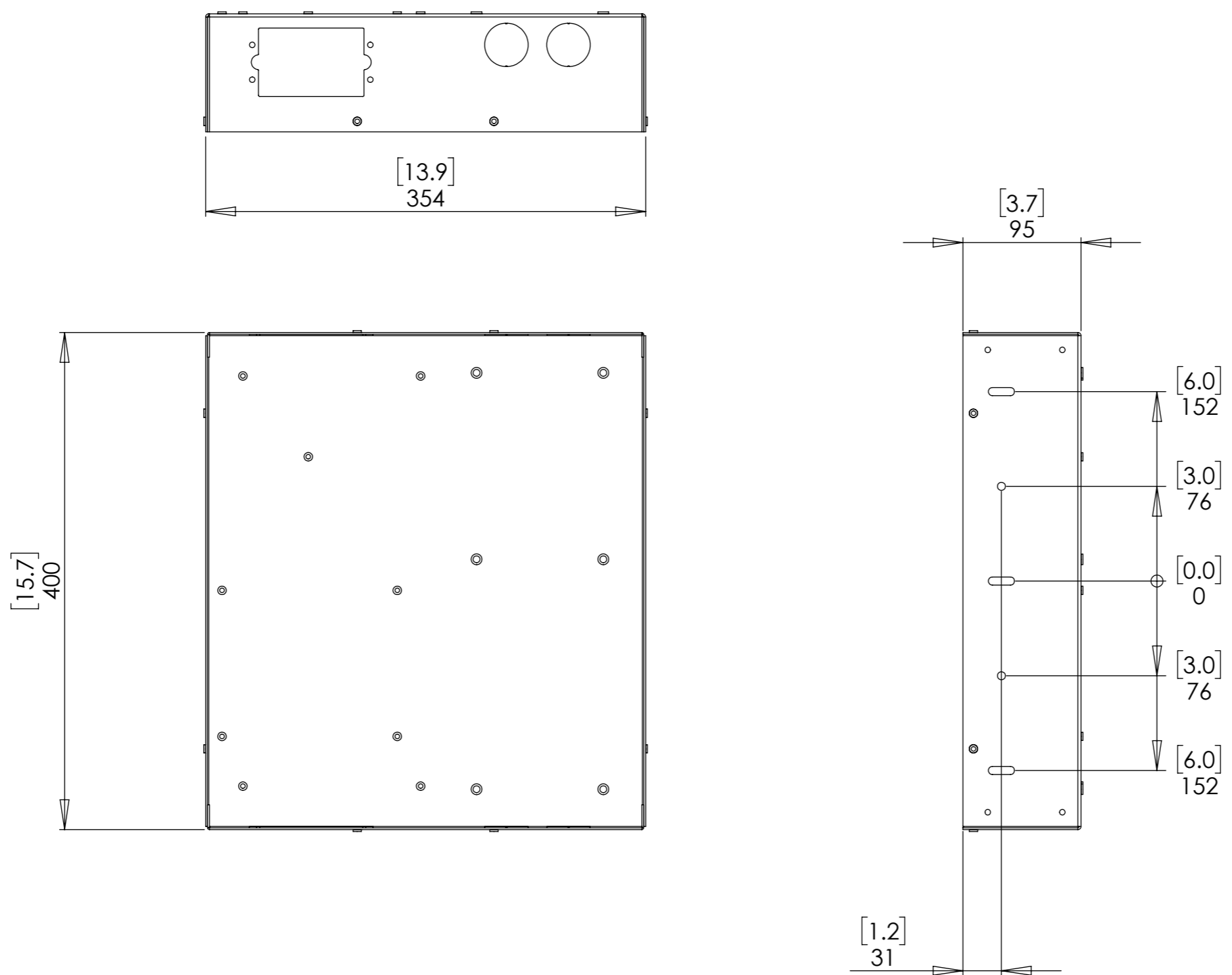
Cable Routing

Route the cable as shown along the arms ensuring sufficient slack at moving points.

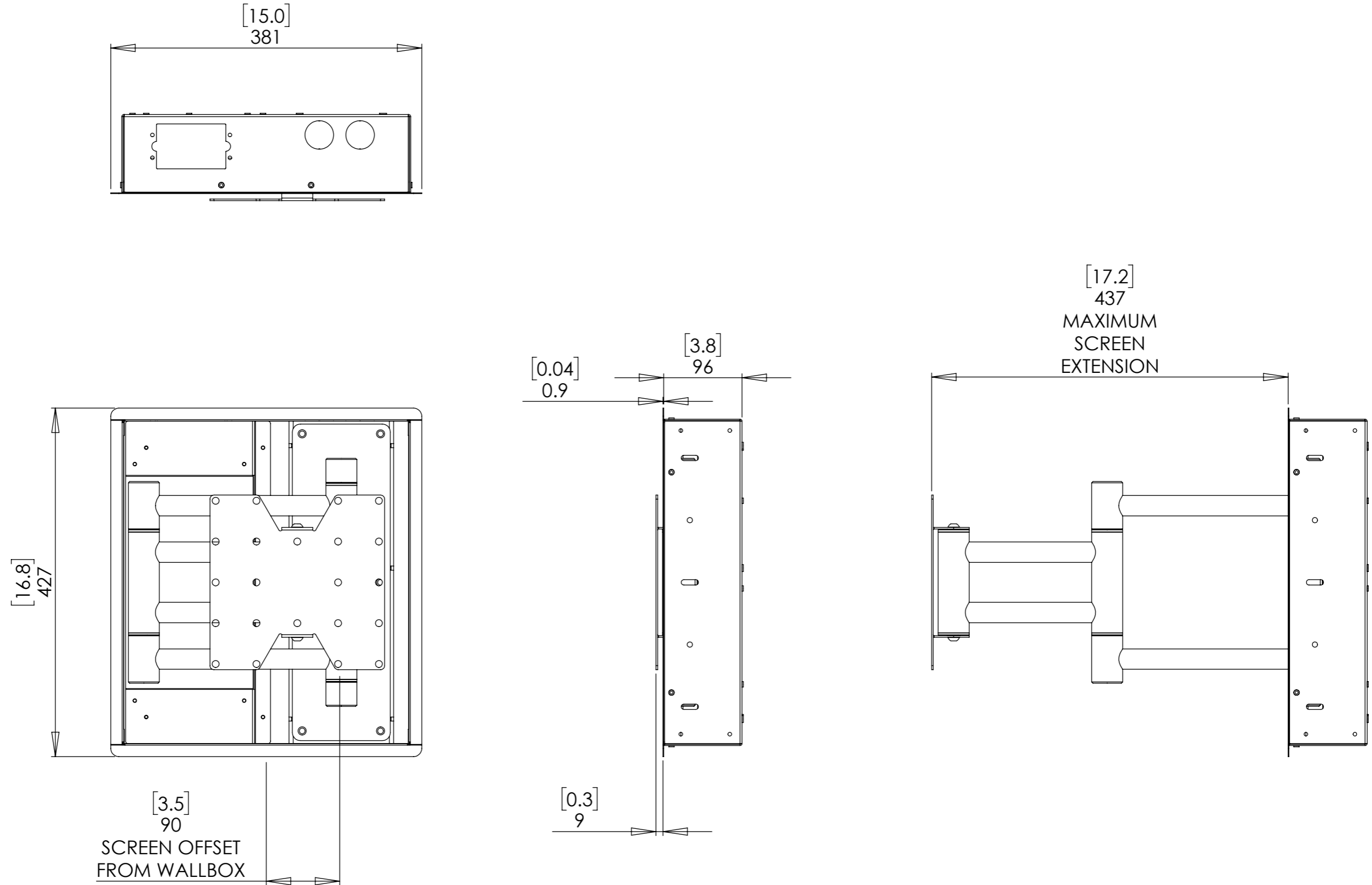
Use the knockout panels to pass the cables through the wall box into the wall cavity.

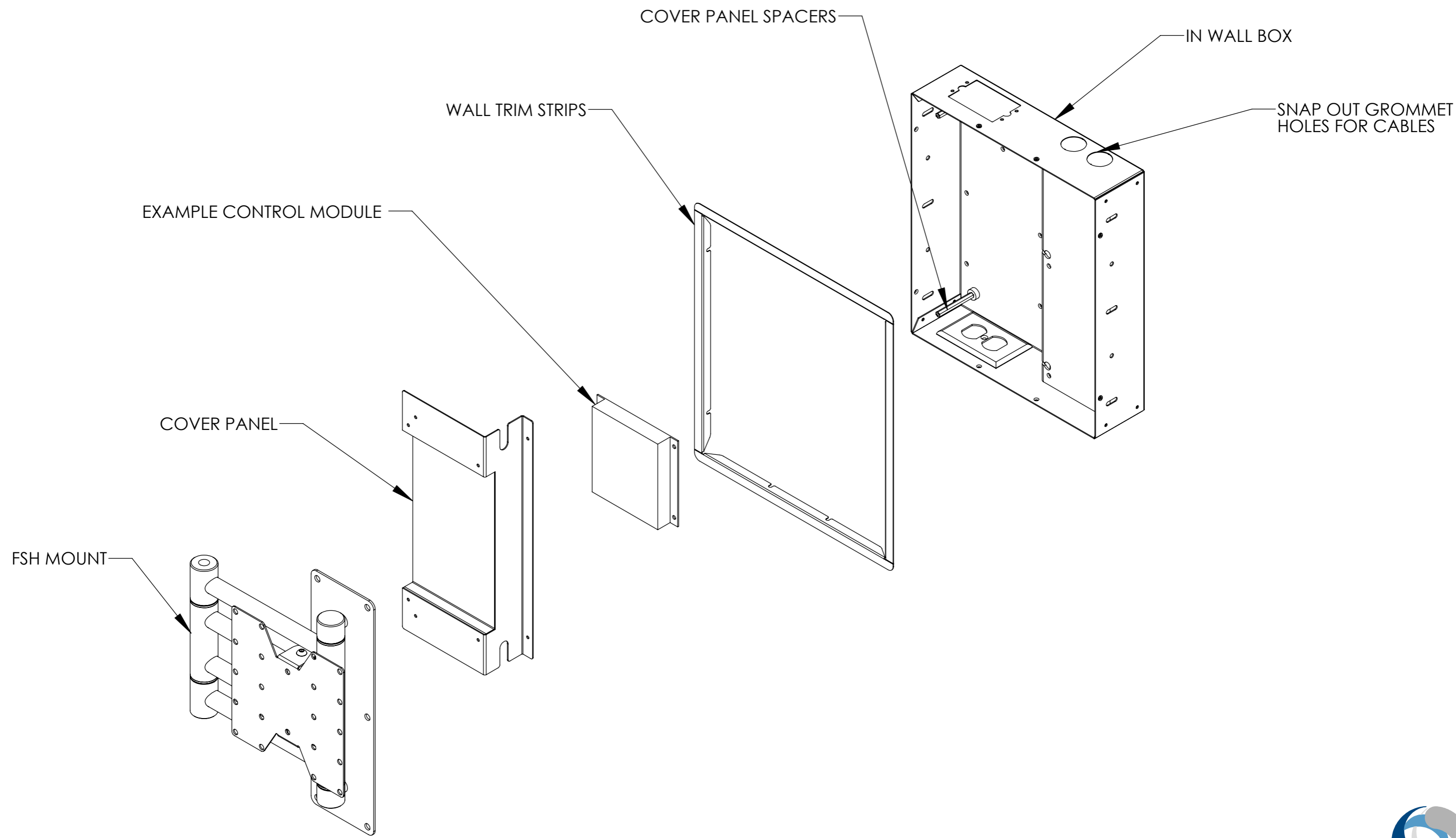


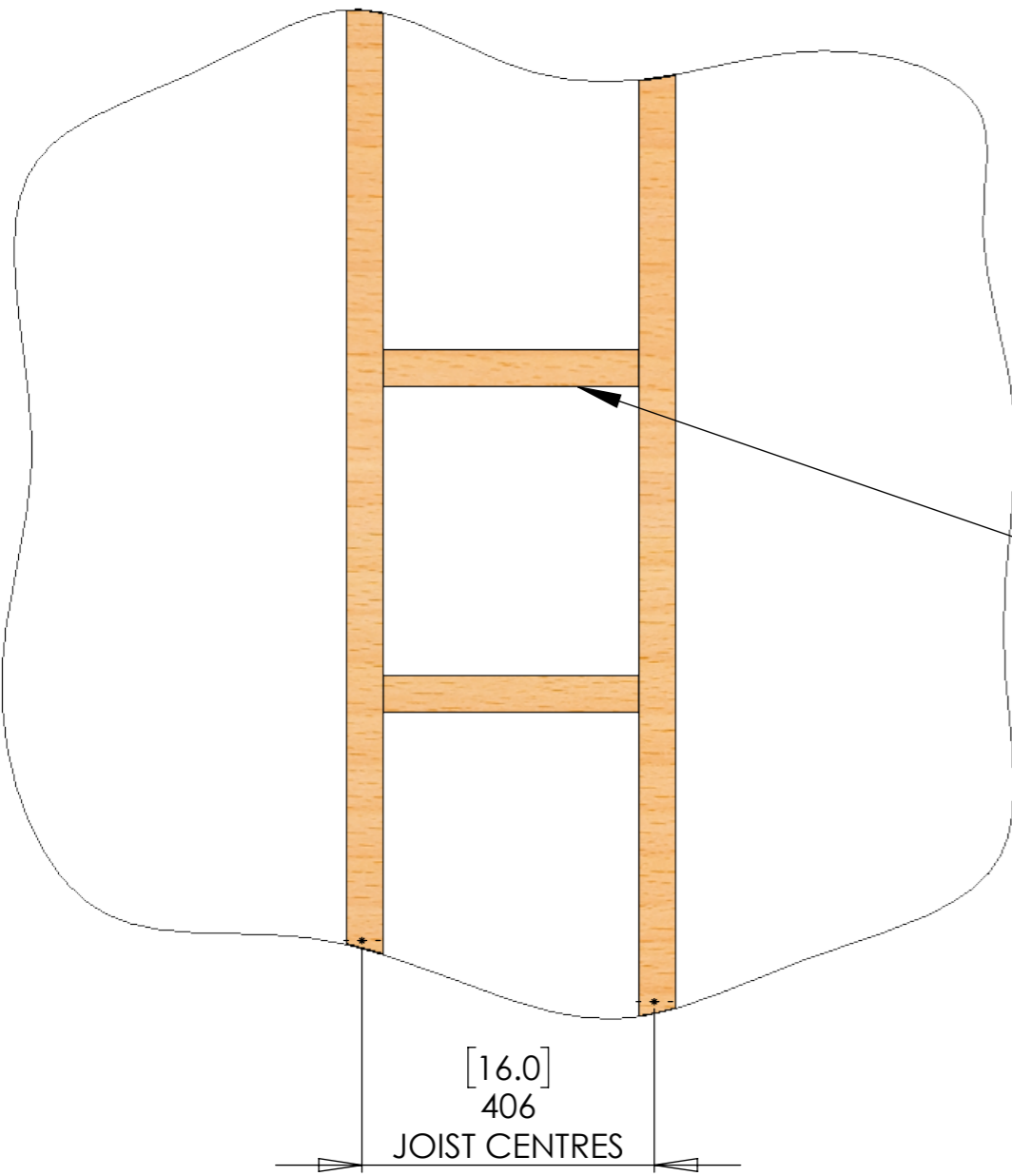
Wall Box Mounting Dimensions



General Dimensions

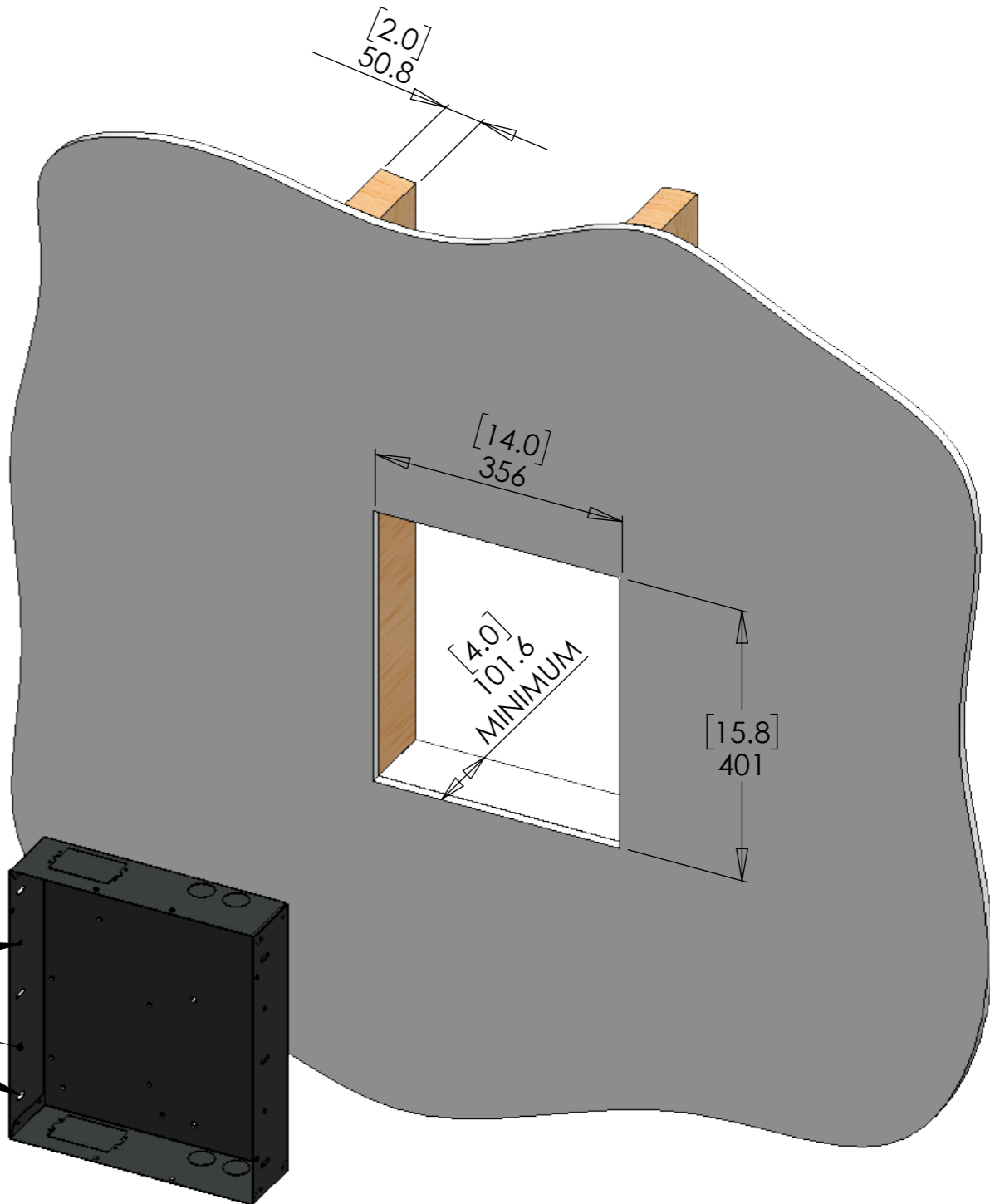






HORIZONTAL JOISTS
TO SECURE WALL BOX TO

FIXING HOLES



INSERT WALL BOX INTO THE VOID AS SHOWN
AND SECURE THROUGH SIDE FIXING HOLES