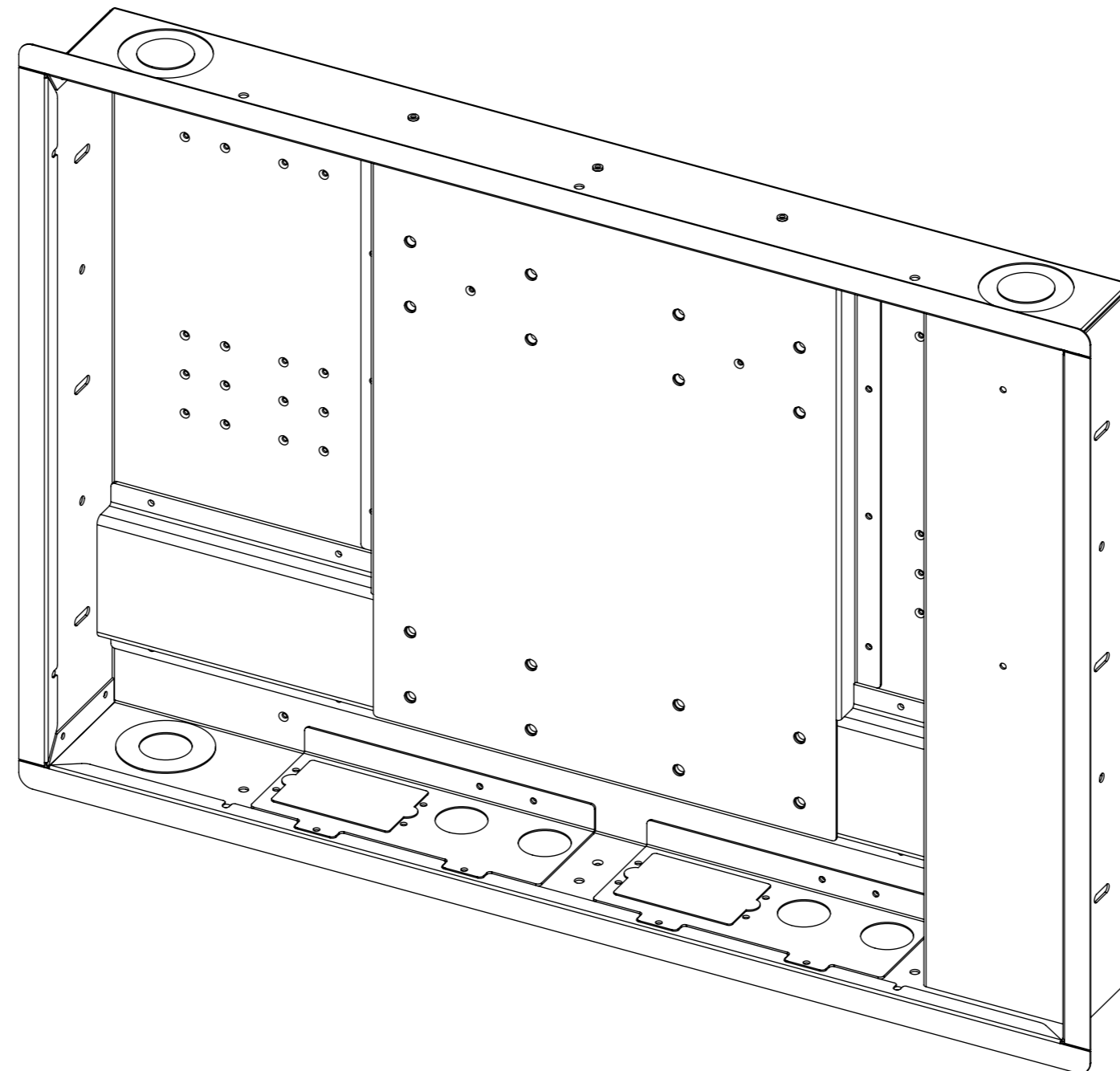


# WB PSE90

## WALL BOX FOR PSE90



future automation



# WB PSE90

## WALL BOX FOR PSE90



future automation

SPECIFICATION	MEASUREMENTS
Product Dimensions WxHxD	798mm (31.4") x 527mm (22.5") x 98mm (3.9")
Maximum Weight Capacity	TBC
Product Weight	15.2Kg (33.5lbs)
Packaging Dimensions	TBC
Shipping Weight	TBC
Mounting Patterns Supported	VESA 400, 300, 200 W x 400, 300, 200 H
Package Contents	Mechanism
Marine Suitable	No

# WB PSE90

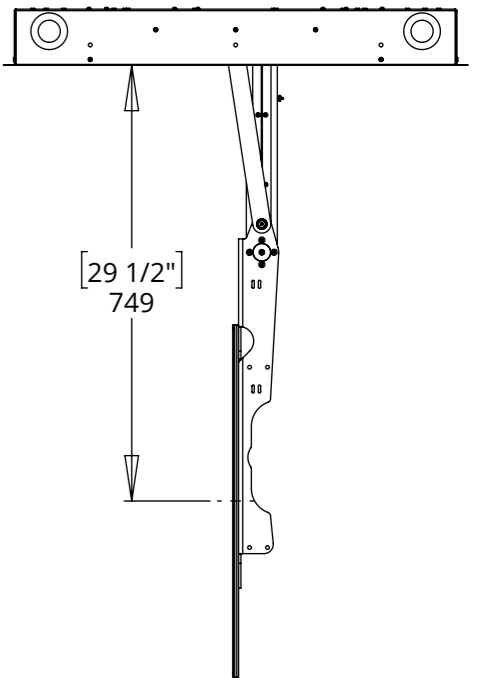
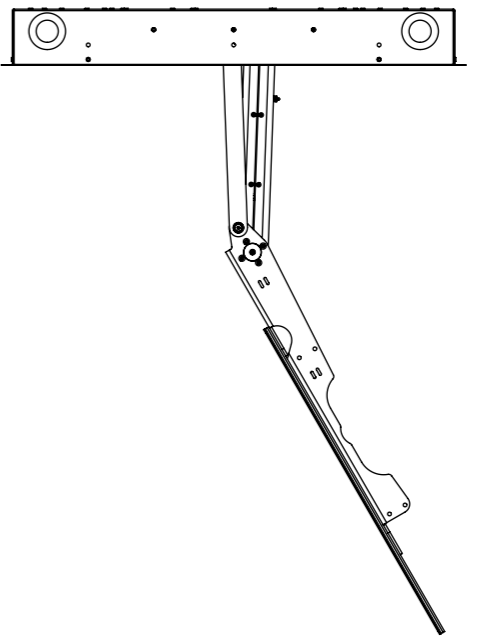
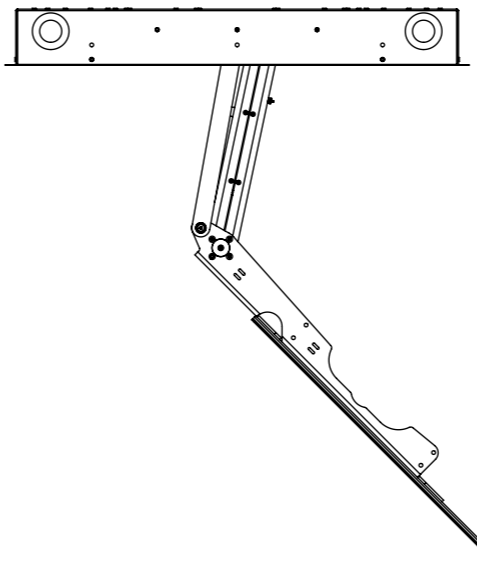
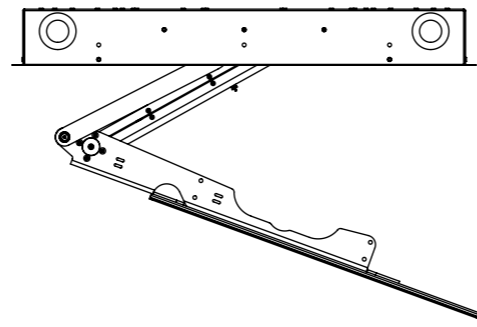
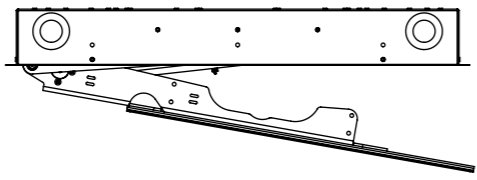
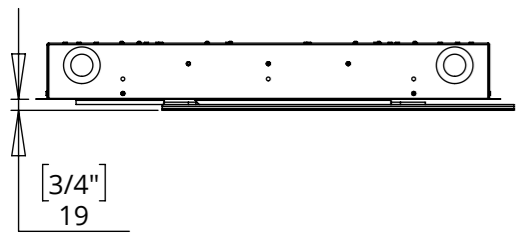
## WALL BOX FOR PSE90

### PSE90 DESIGN HIGHLIGHTS

Sophisticated electronics allow for a favourite viewing position to be programmed via the IR remote control. The arm of the bracket conceals all power and signal cables.

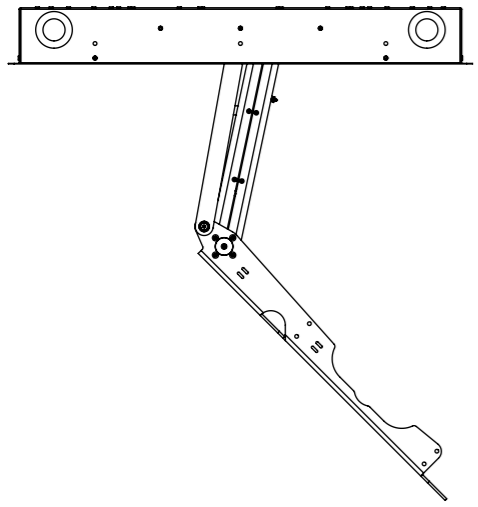
The mechanism allows up to 749mm extension of screen centre from wall. Adjustable offset plates allow the bracket to take a wide variety of screens.

PSE90 IN WALL BOX

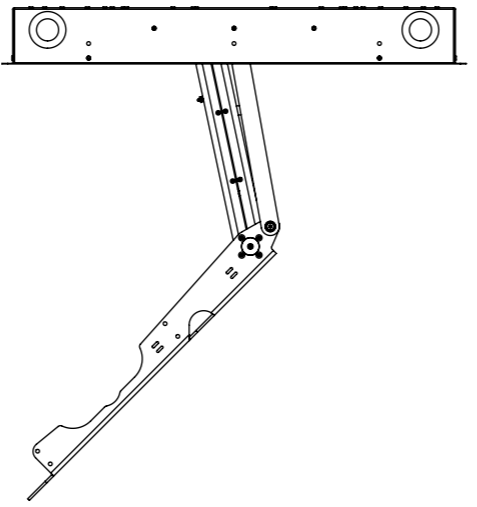


PSE90 OUT -  
MAXIMUM CENTRE OF  
SCREEN EXTENSION,  
WITH OFFSET PLATES

PSE90 OUT 45 - CLOCKWISE



PSE90 OUT 45- COUNTER-CLOCK WISE



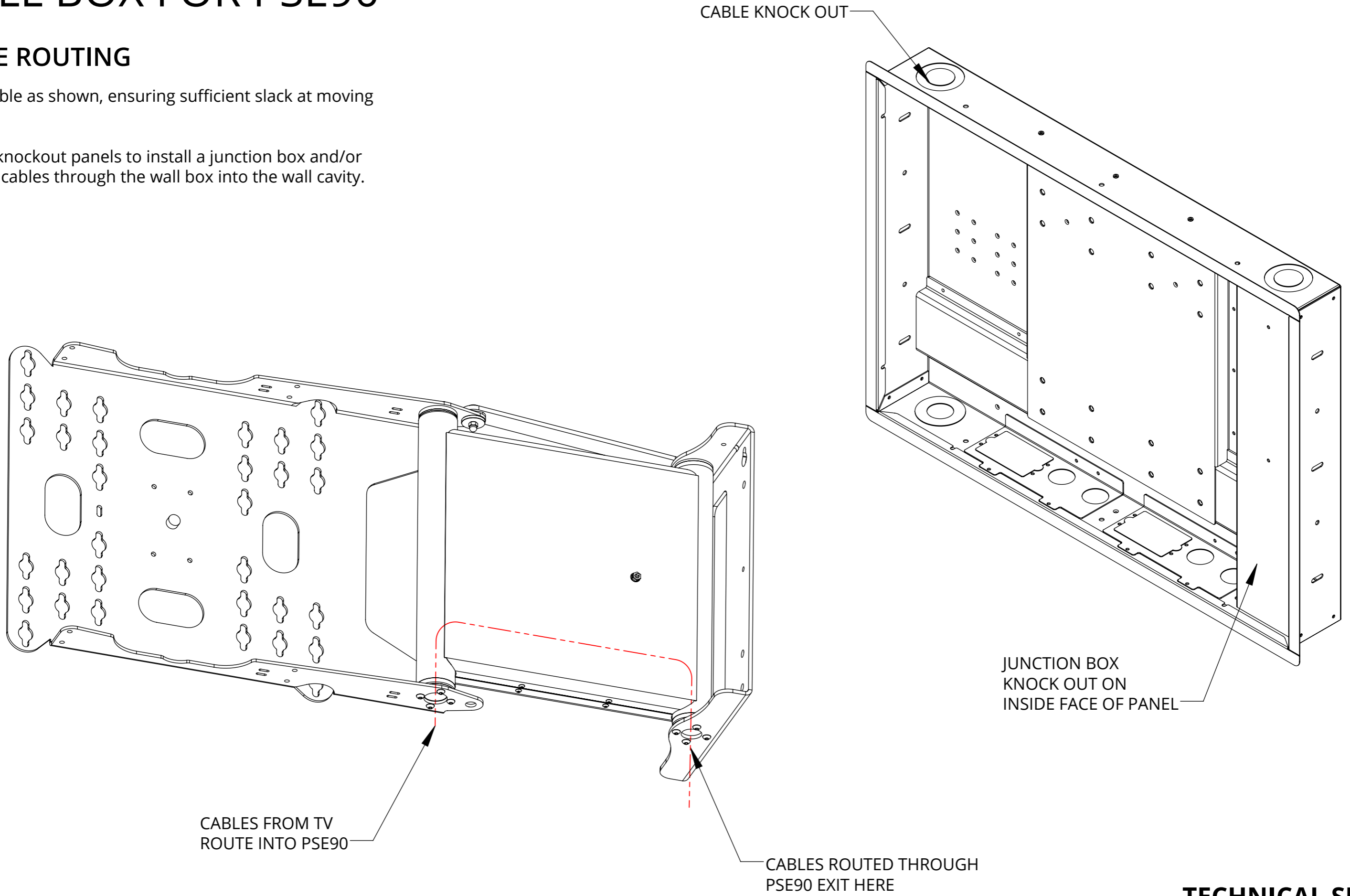
The bracket moves in one sweeping motion, shown above; rotating the screen clockwise or anticlockwise depending on which mechanism you have ordered.

# WB PSE90 WALL BOX FOR PSE90

## CABLE ROUTING

Route cable as shown, ensuring sufficient slack at moving points.

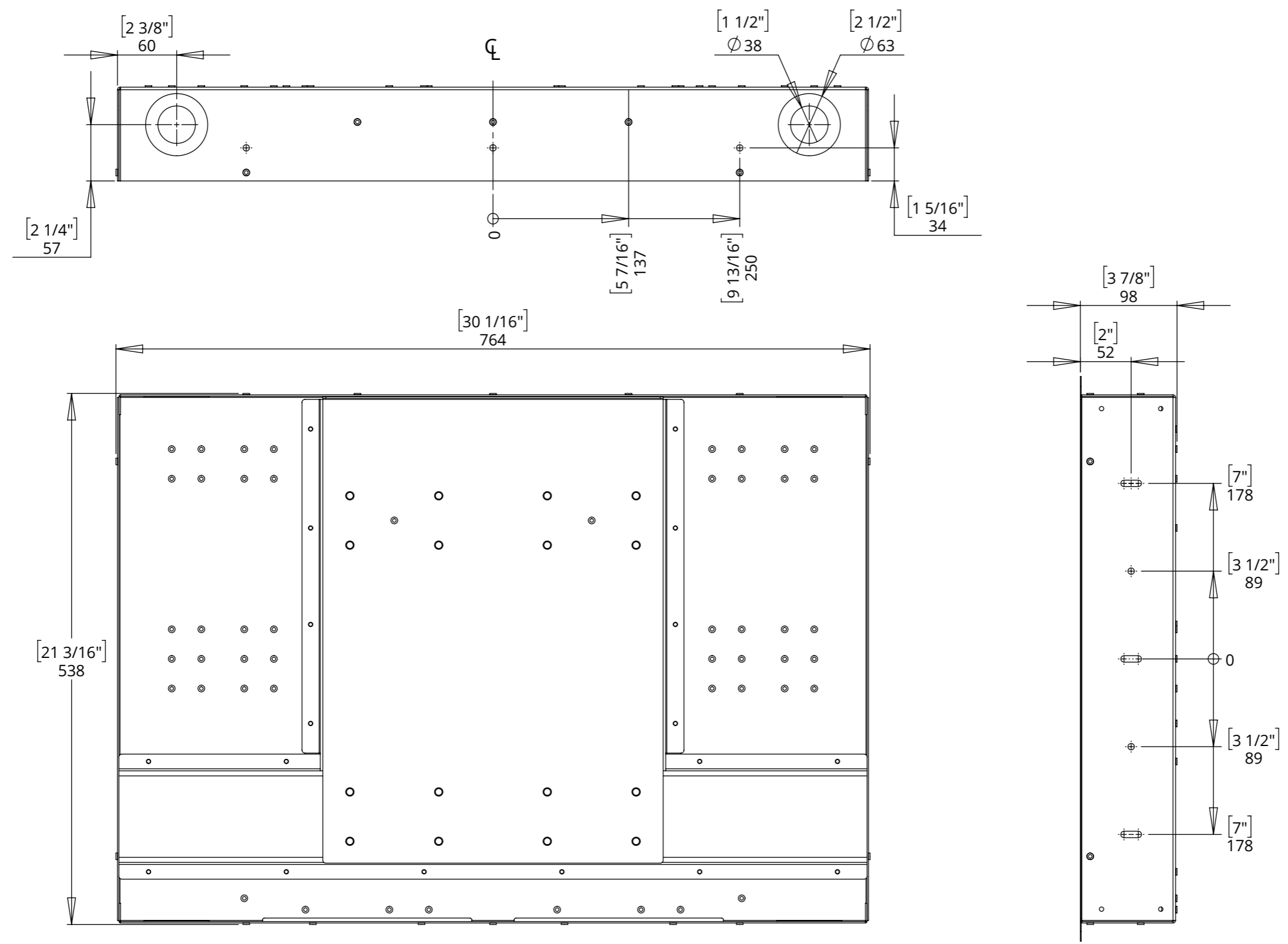
Use the knockout panels to install a junction box and/or pass the cables through the wall box into the wall cavity.



# WB PSE90

## WALL BOX FOR PSE90

### WALL BOX MOUNTING DIMENSIONS



# WB PSE90

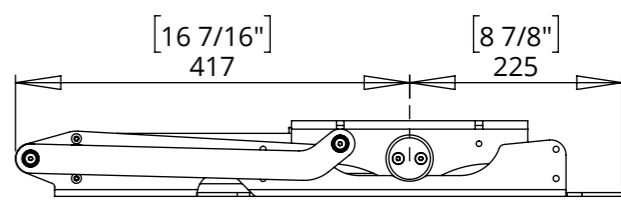
## WALL BOX FOR PSE90

### PSE90 MOUNTING

The PSE90 wall plate is not central of the mechanism, shown right. This results in the mechanism needing to be mounted off centre within the Wall Box.

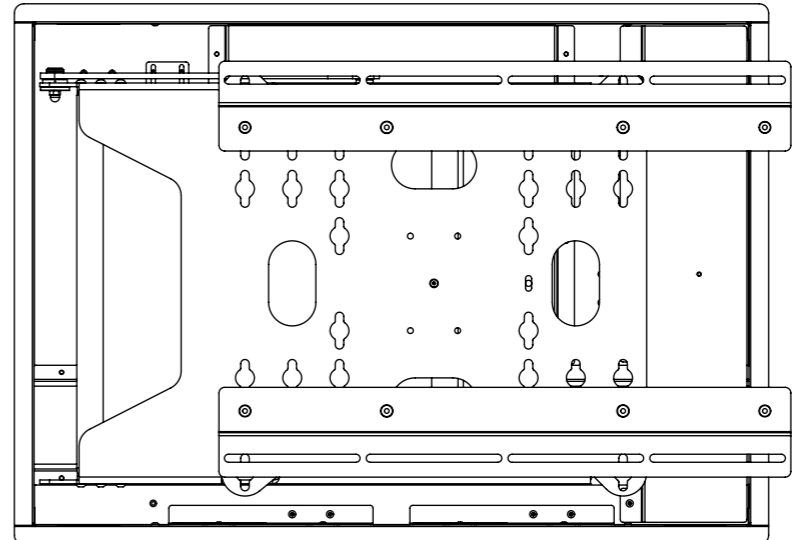
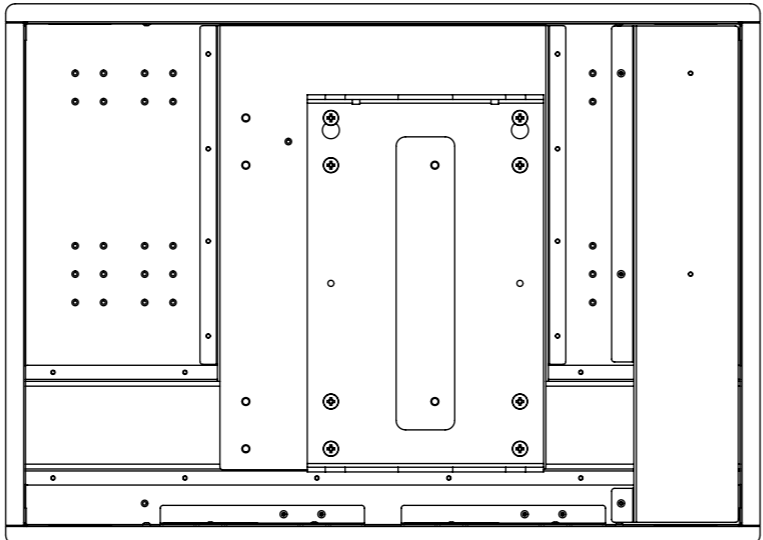
The Wall Box has eight M8 mounting holes for the PSE90 wall plate. Depending if you are mounting a PSE90-CW or PSE90-CCW, depends on whether you mount the mechanism using the left or right set of holes.

PSE90-CW Top View



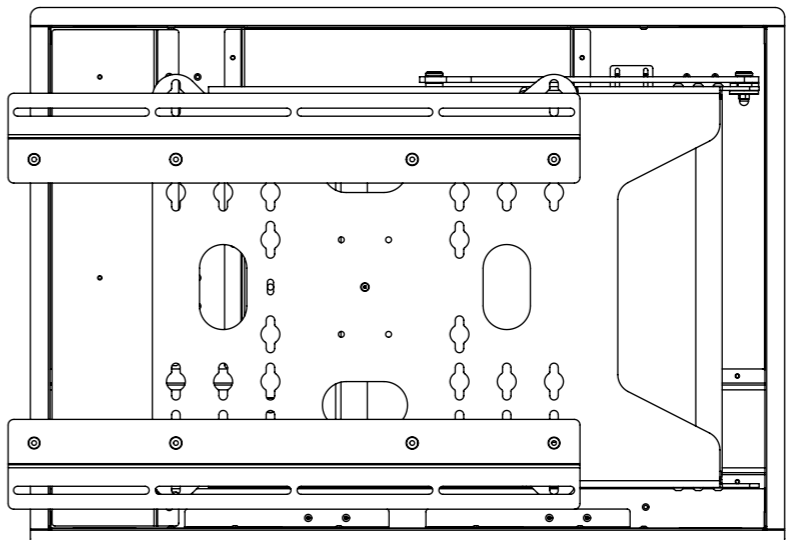
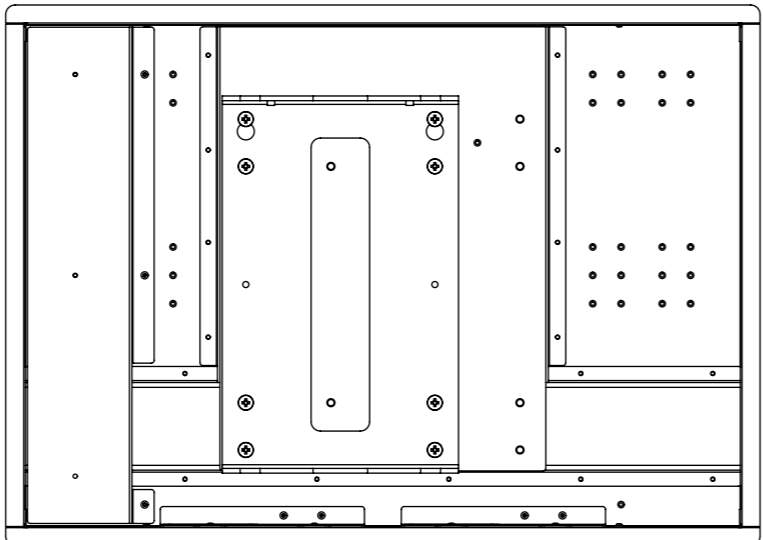
#### PSE90-CW

Clockwise Movement uses right set of holes and right Inner Panel.



#### PSE90-CCW

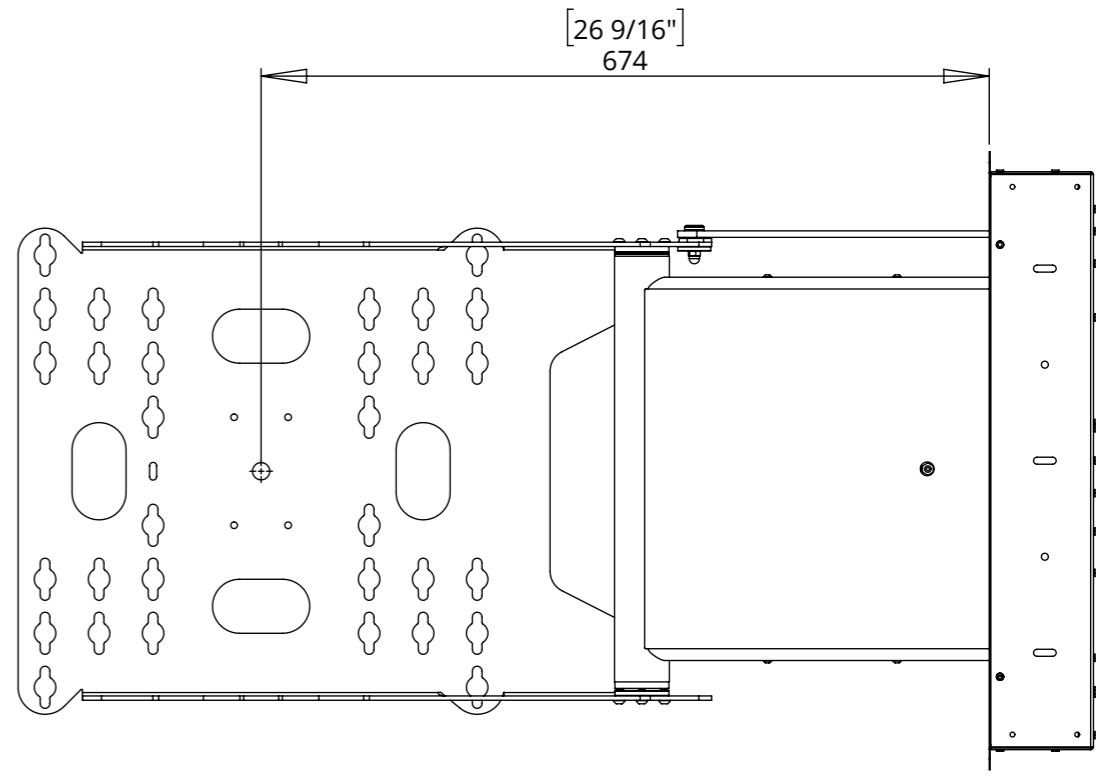
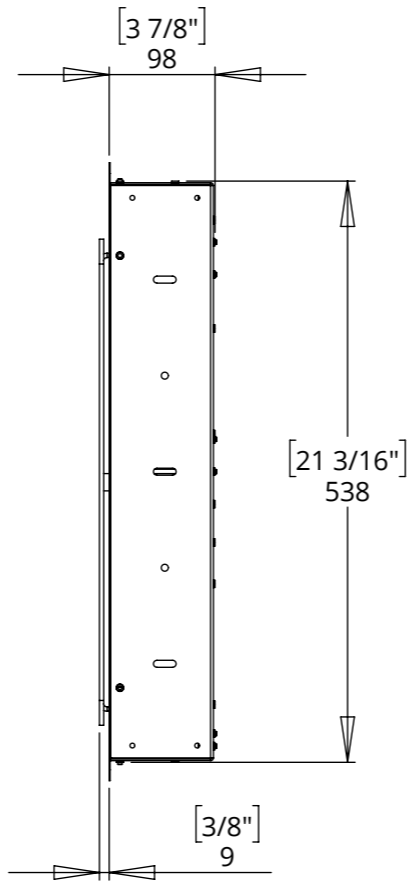
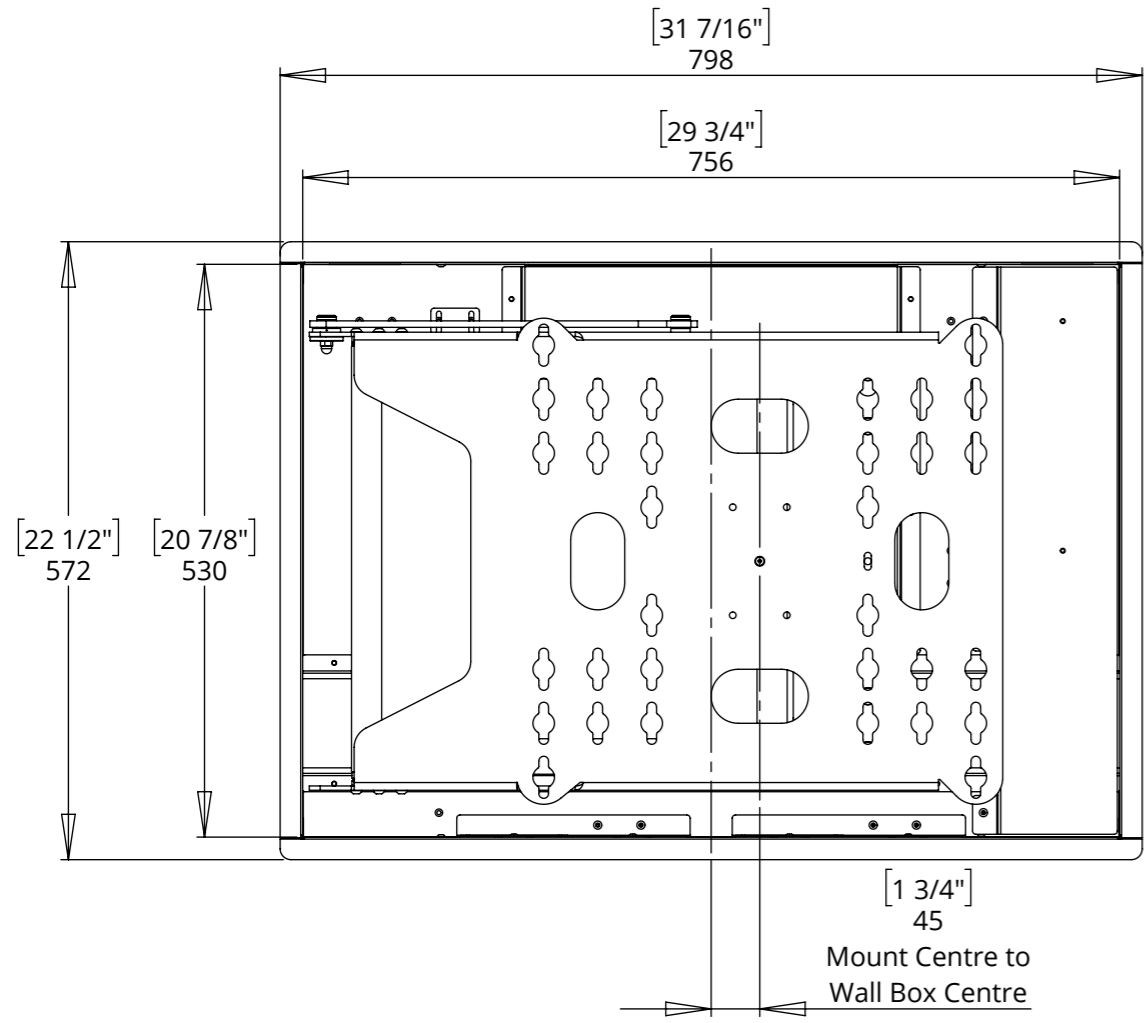
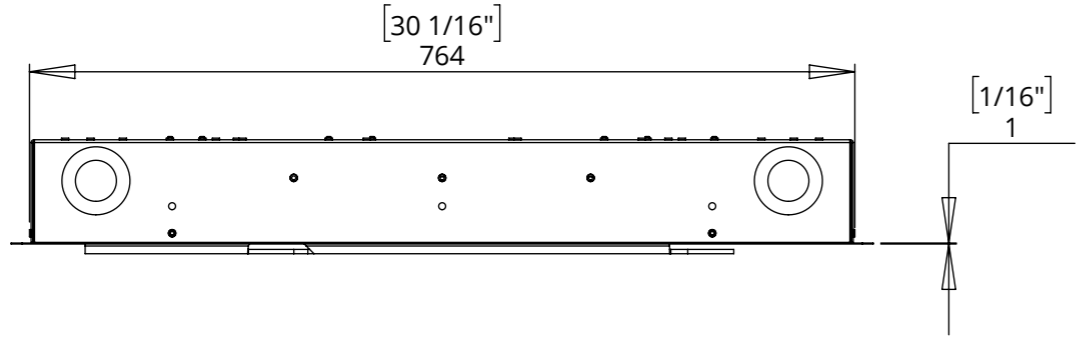
Counter Clockwise Movement use left set of holes and left Inner Panel.



# WB PSE90

## WALL BOX FOR PSE90

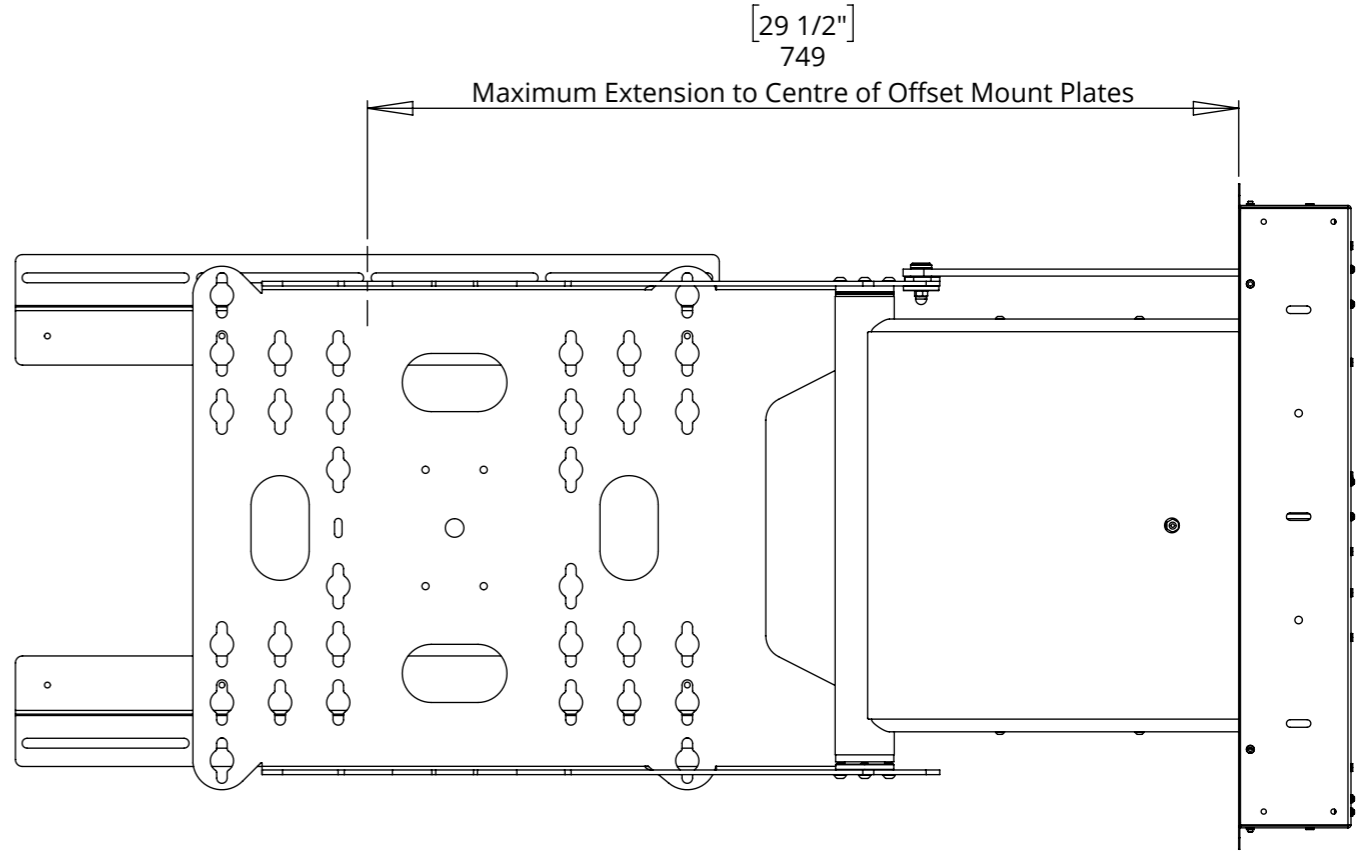
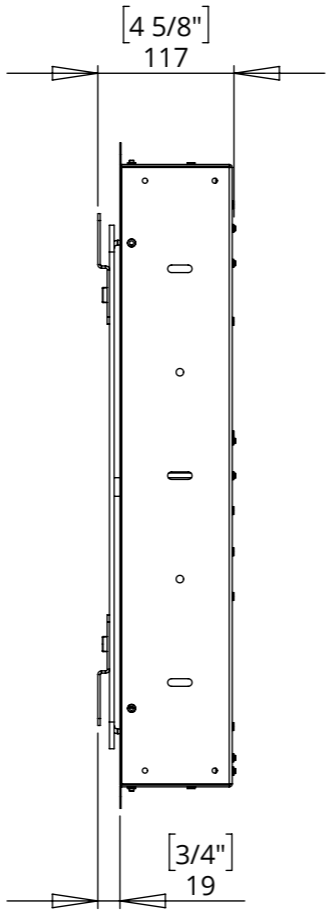
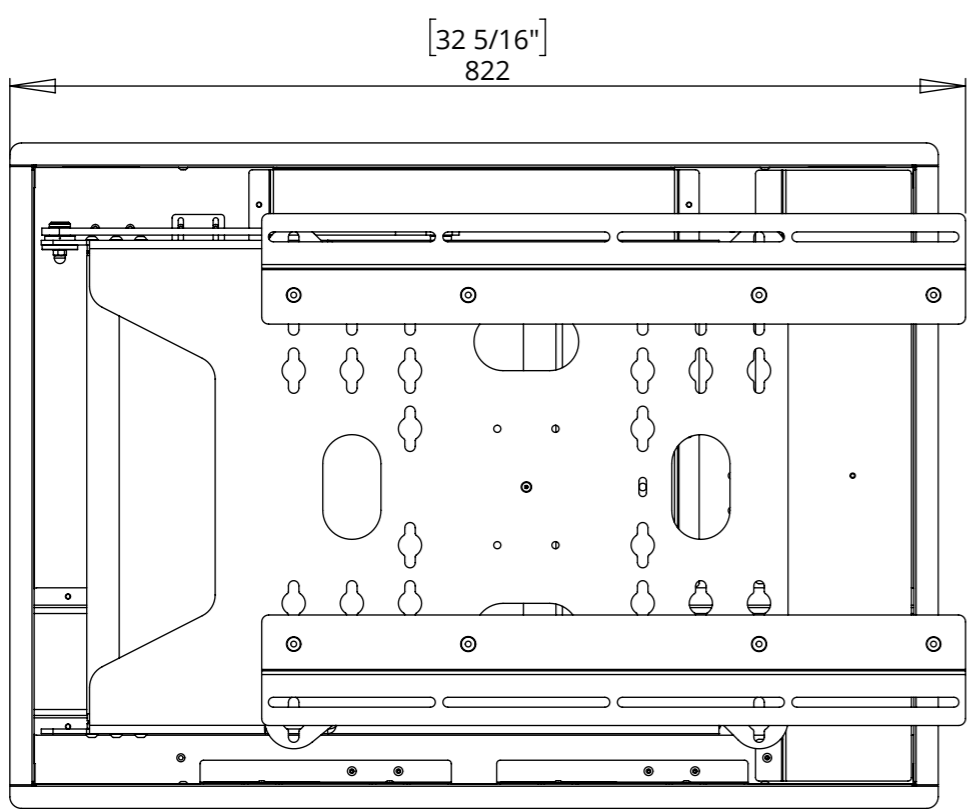
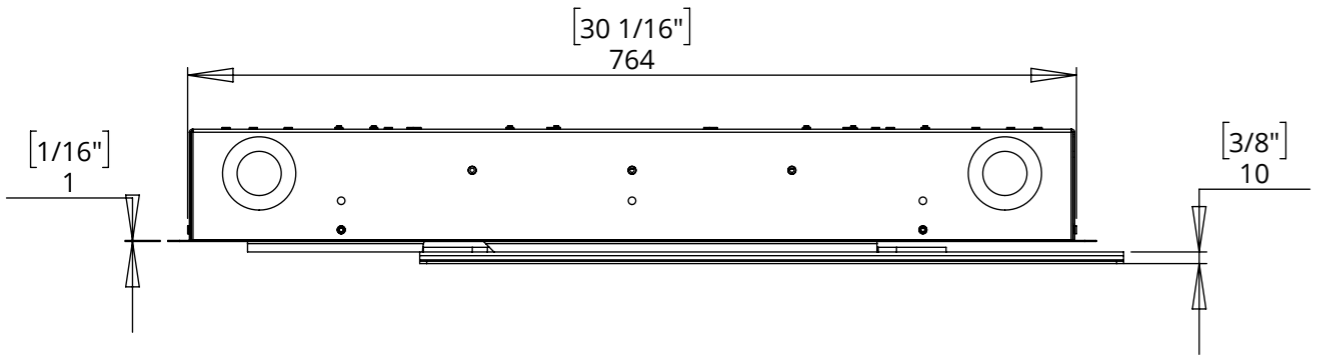
### GENERAL DIMENSIONS - WITHOUT OFFSET MOUNT PLATES



# WB PSE90

## WALL BOX FOR PSE90

### GENERAL DIMENSIONS - WITH OFFSET MOUNT PLATES





# WB PSE90 WALL BOX FOR PSE90

## SCREEN OFFSET

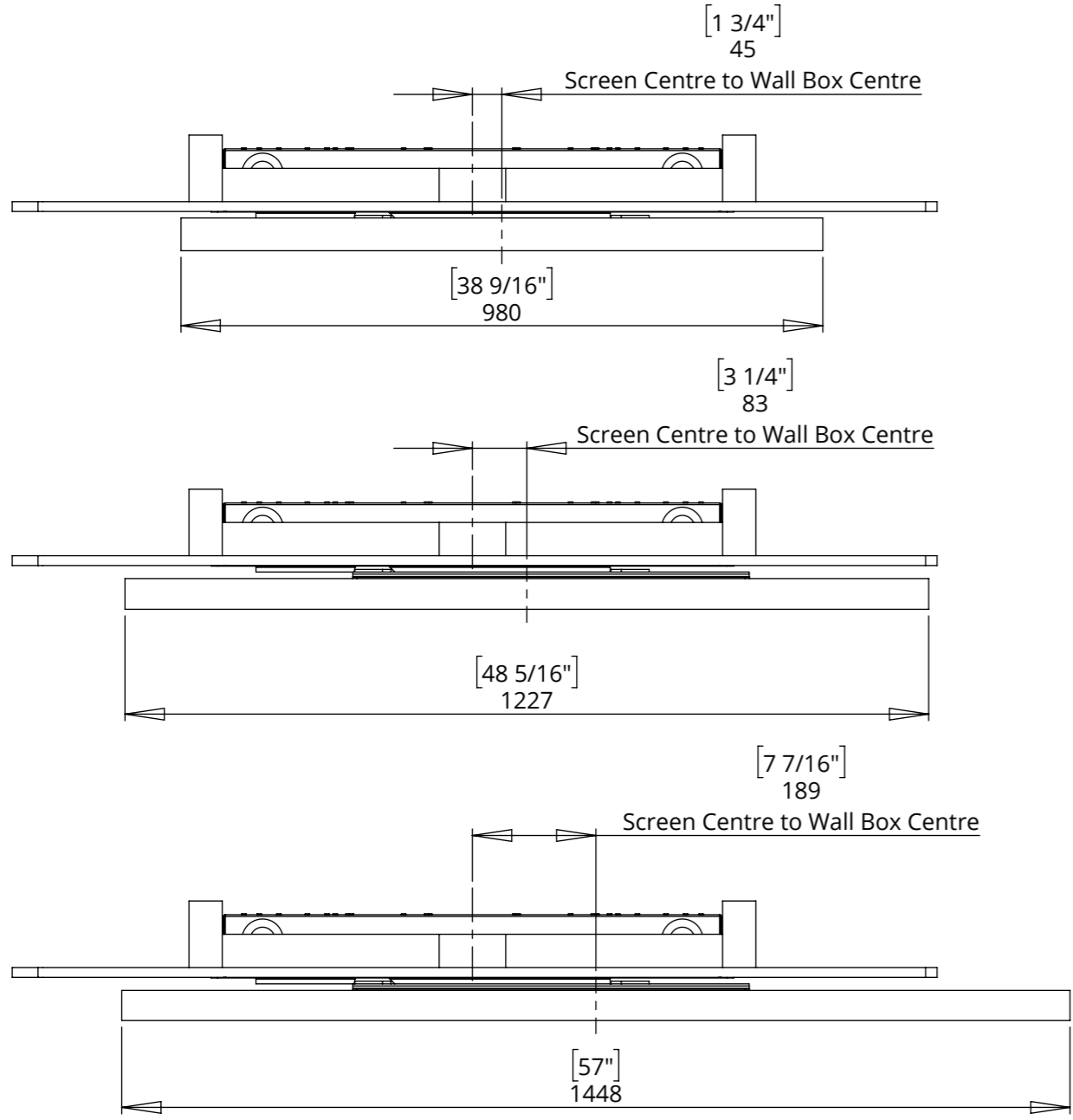
With the installation of the Wall Box, the PSE90 wall plate is recessed back into the wall by 71mm [2.8"]. In turn this may call for the screen to be offset to allow for clearance between the tv and the wall when the mechanism is in operation.

When the mechanism opens to approximately 6 degrees, the screen edge is at its closest to the wall. This can be used to determine the amount offset needed for a screen. Typically the screen edge should be at a minimum of 10mm away from the wall when at 6 degrees.

**NOTE:**

A screens mounting hole location may effect the ability to offset the screen.

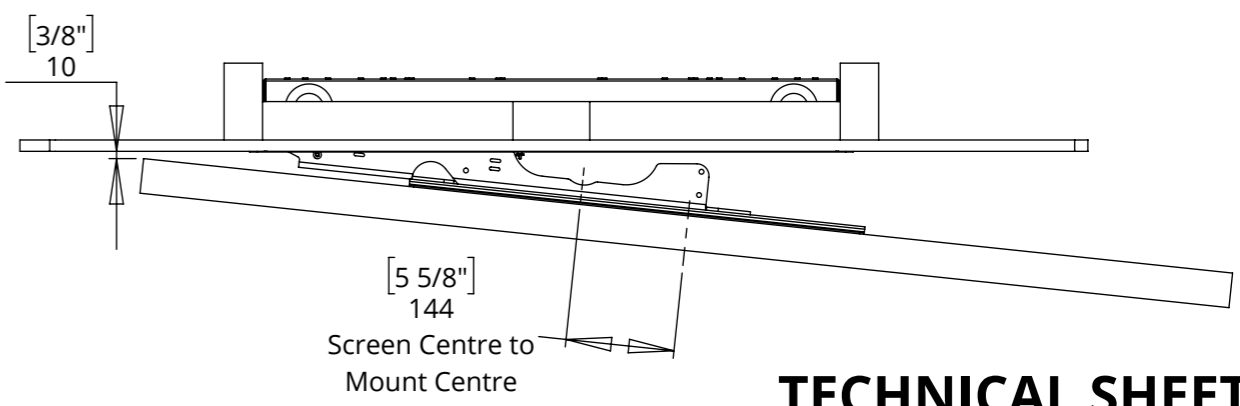
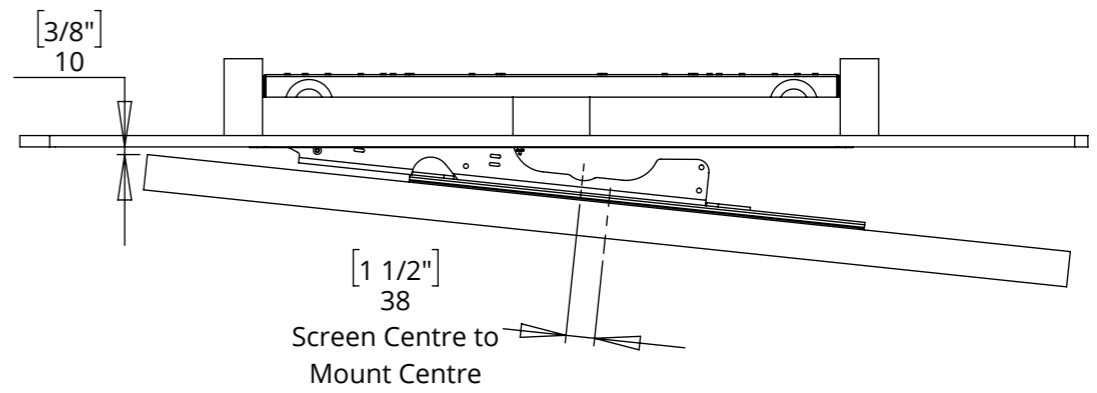
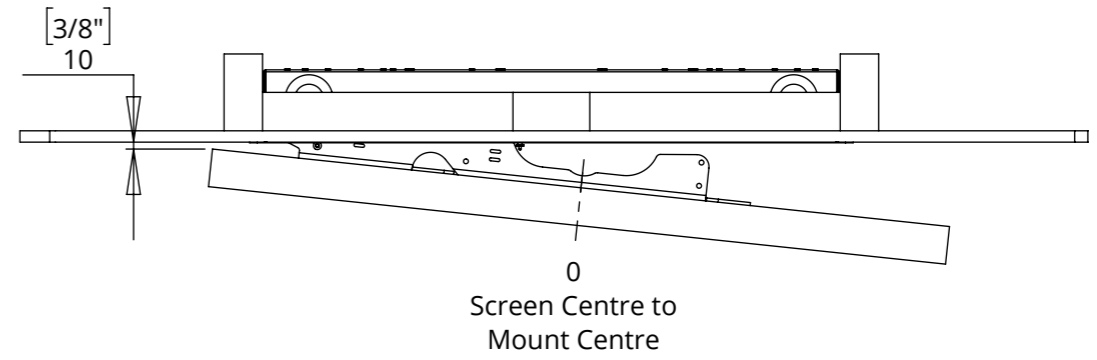
A screens offset is dependent on its width, therefore smaller screens will not need as great offset as large screens



TYPICAL 46" SCREEN

TYPICAL 55" SCREEN

TYPICAL 65" SCREEN



# WB PSE90

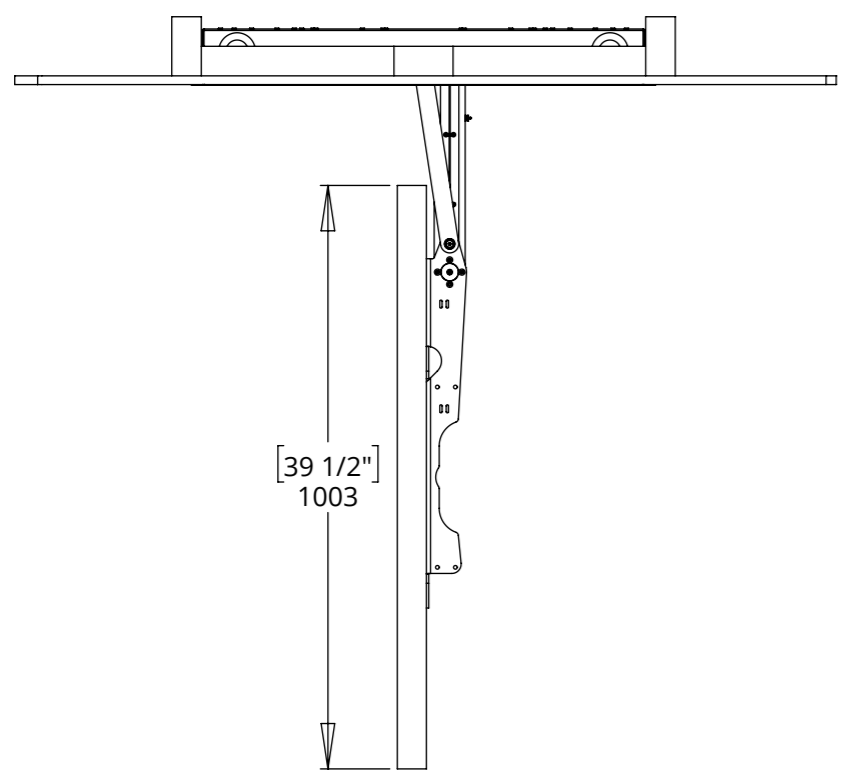
## WALL BOX FOR PSE90

### ROTATION ANGLE

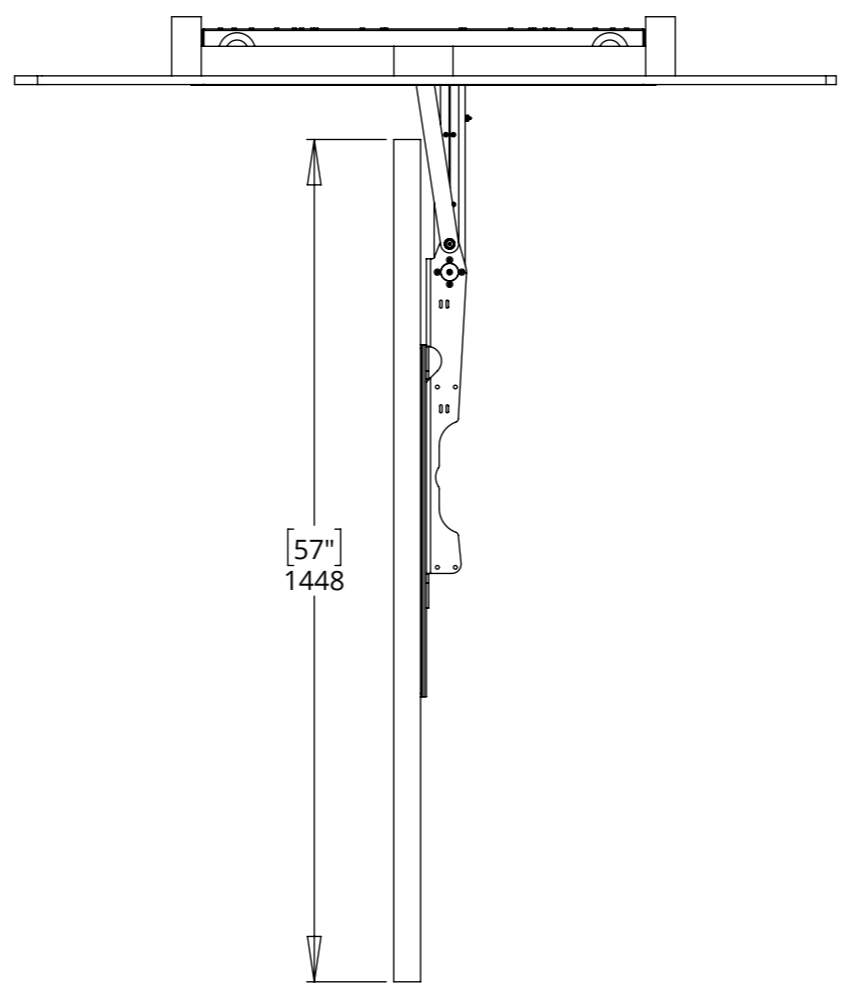
Below shows the maximum possible screen widths in the 60 degree and 90 degree viewing angles.

With the installation of the Wall Box, the PSE90 wall plate is recessed back into the wall by 71mm [2.8"]. This decreases the maximum viewing angle rotation for varying sized screens. The screen size and its offset should be considered as this limits the screen size at various angles, for example shown below at 60 degrees.

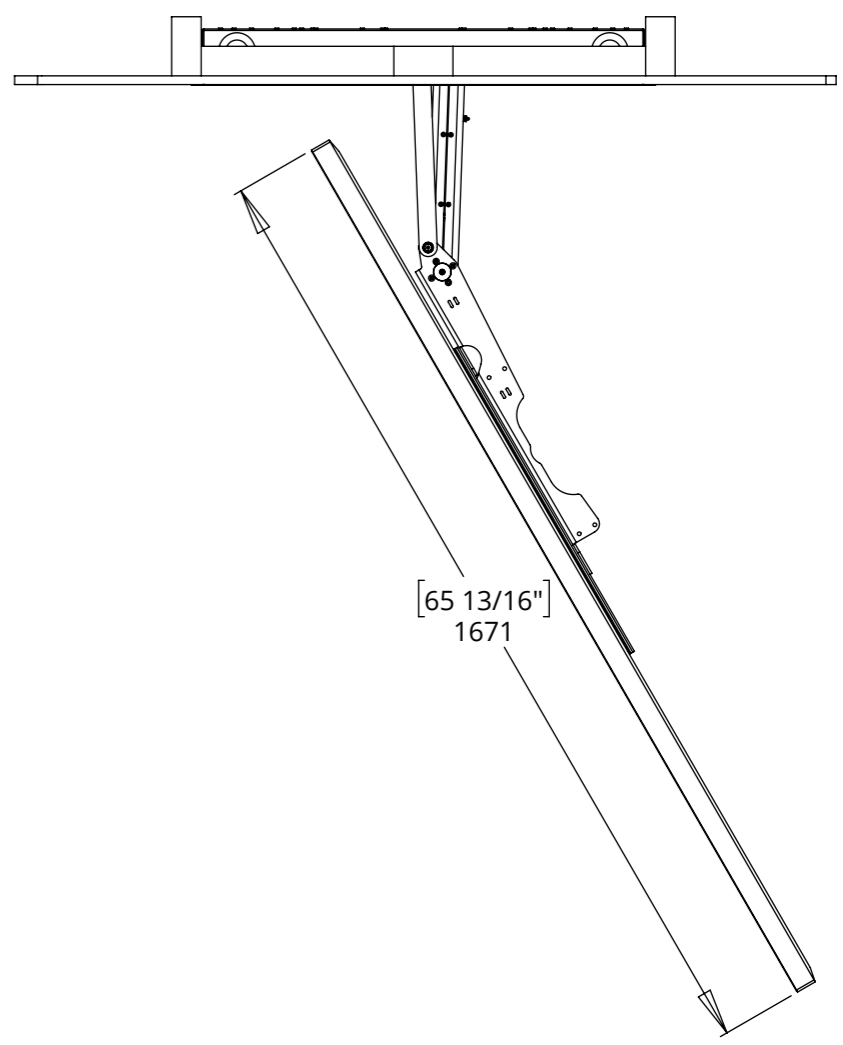
90 DEGREES - NO OFFSET PLATES



90 DEGREES - WITH OFFSET PLATES



60 DEGREES - WITH OFFSET PLATES



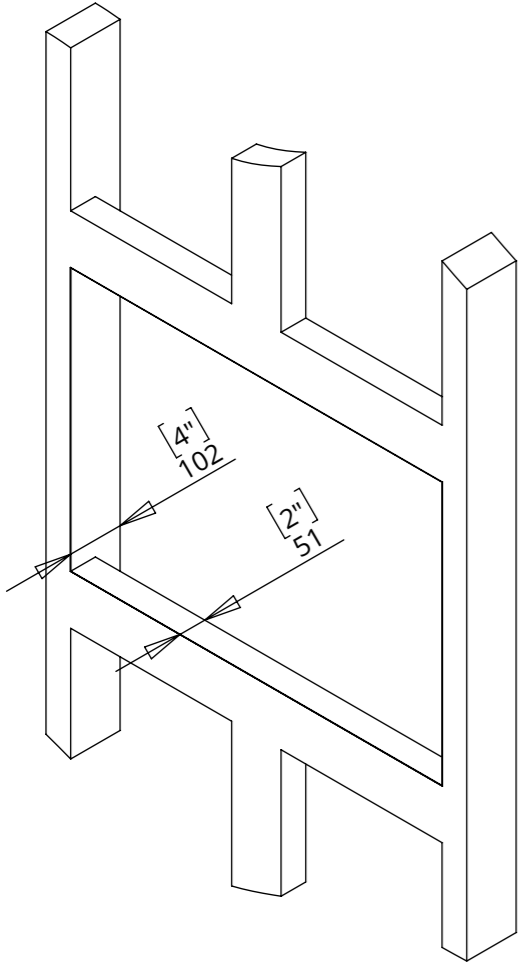
# WB PSE90 WALL BOX FOR PSE90



## FRAMING DETAILS

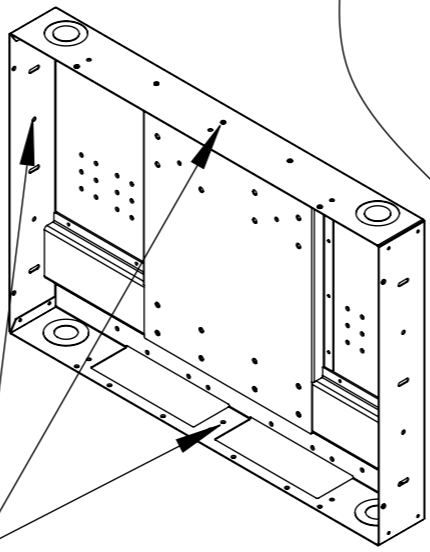
Shallow horizontal studding should be used when framing the Wall Box. This allows for cables and a watt box to be fitted within the wall, and pass through both the grommet holes and the panel cut outs in the box - shown on the Section View.

The studding either side of the wall box should be deeper to allow for secure fixing of the wall box.

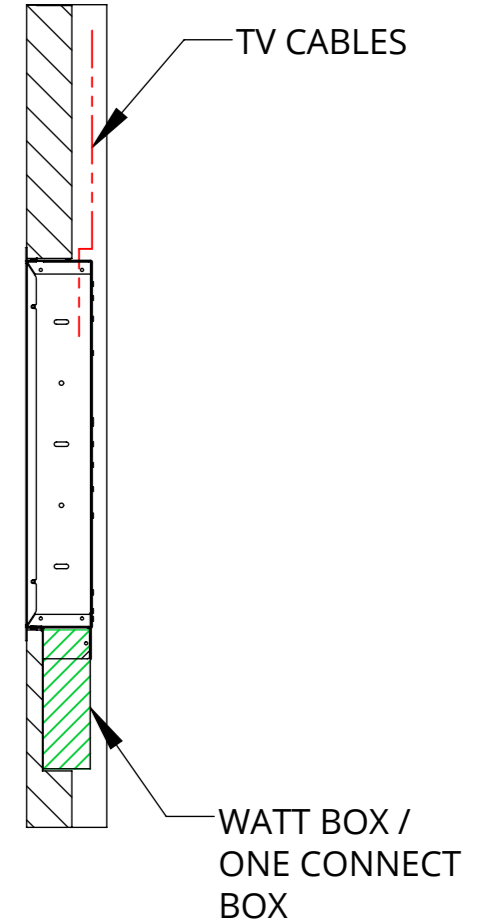
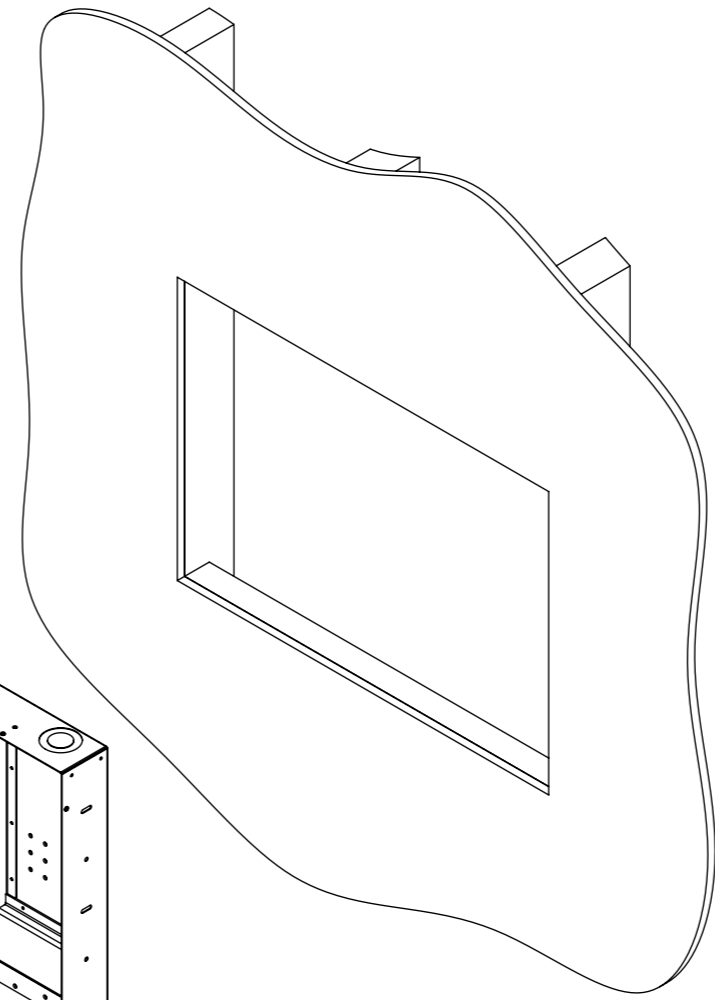


WALL STUDDING

WALL STUDDING WITH PLASTER BOARD



INSERT WALL BOX INTO RECESS AND SECURE THROUGH FIXING HOLES



SECTION VIEW

# WB PSE90 WALL BOX FOR PSE90

