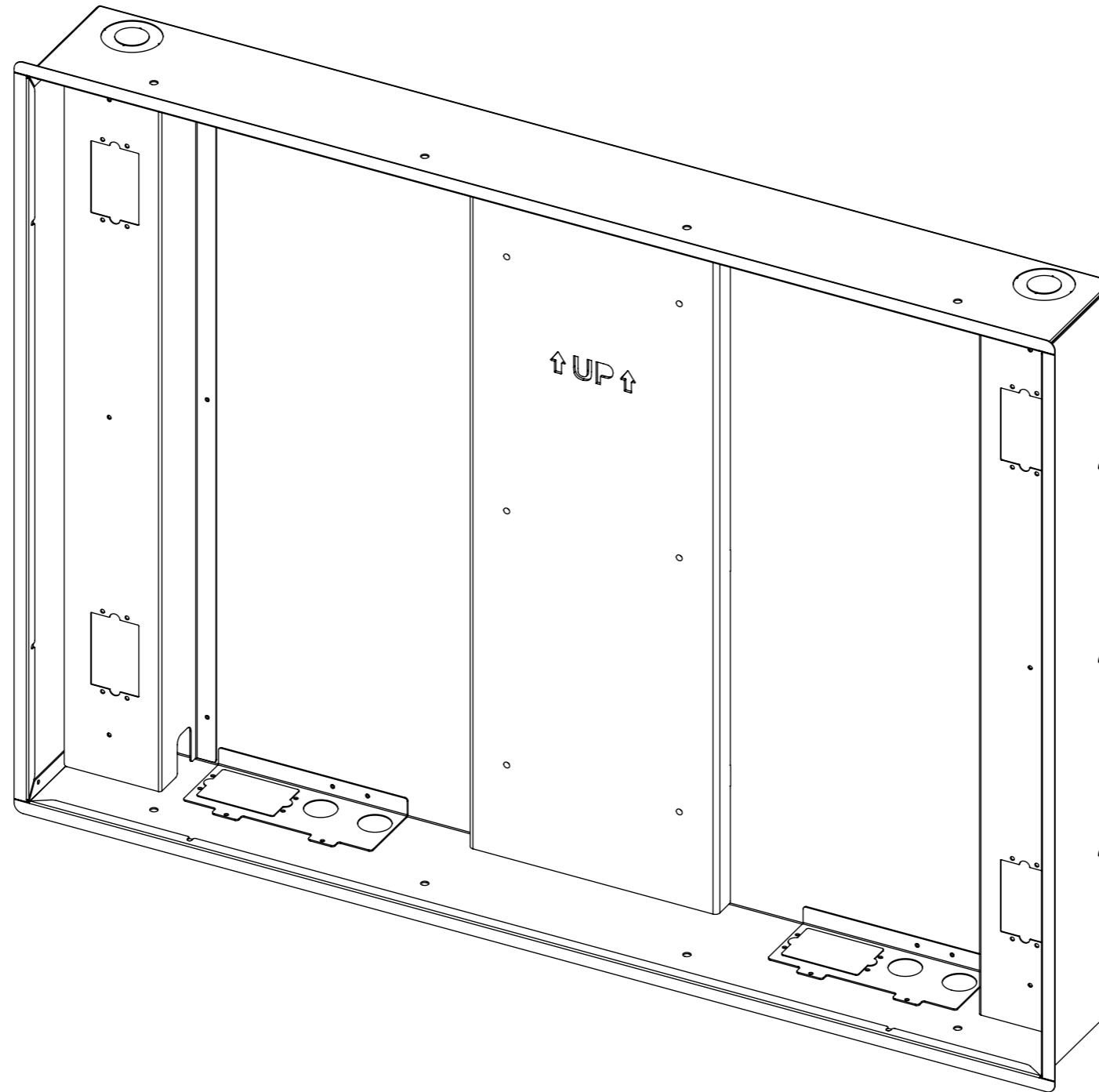


WB QA2-60

WALL BOX FOR QA2-60



future automation



WB QA2-60

WALL BOX FOR QA2-60



future automation

SPECIFICATION	MEASUREMENTS
Product Dimensions	1191mm (46.9") x 887mm (34.9") x 157mm (6.2")
Maximum Screen Size	60"-90" Screens
Maximum Weight Capacity	80Kg (176.4lb)
Product Weight	30.4kg (67lbs)
Packaging Dimensions	1310 x 1030 x 250mm (51.57 x 40.55 x 9.84")
Shipping Weight	38kg (84lbs)
Product Options / Features	Marine suitable version
Package Contents	Mechanism
Marine Suitable	No

WB QA2-60

WALL BOX FOR QA2-60

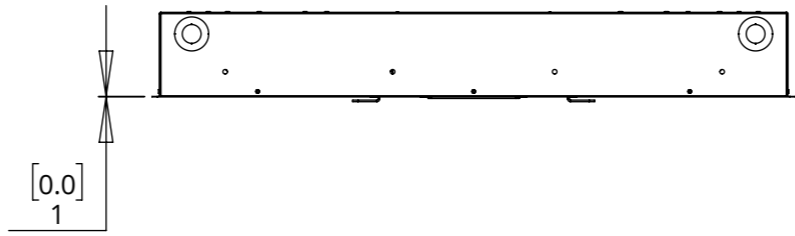
QA2-60 DESIGN HIGHLIGHTS

Sophisticated electronics allow for a favourite viewing position to be programmed via the IR remote control.

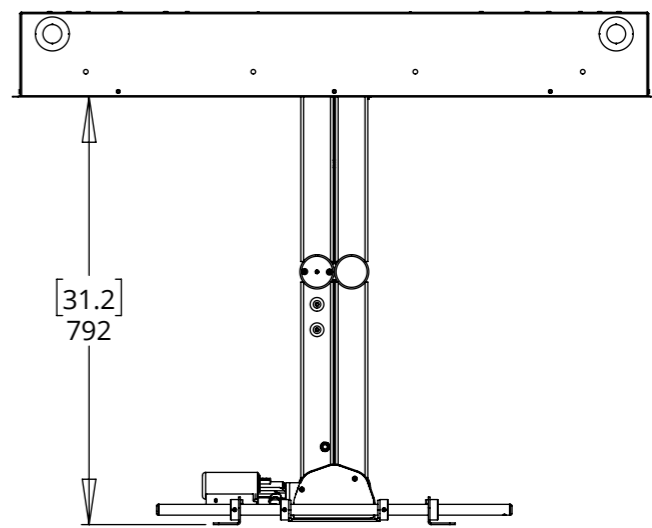
The mechanism allows up to 792mm extension of screen centre from wall. Hook on removable uprights allow the bracket to take a wide variety of screens.

The arms on the right-hand side of the bracket conceal all power and signal cables.

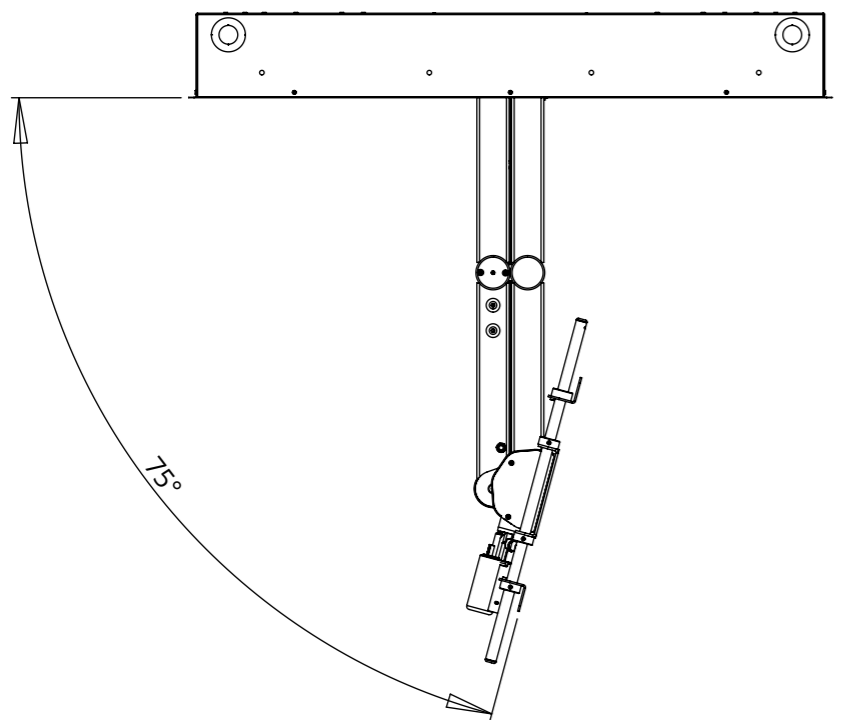
QA2-60 IN WALL BOX



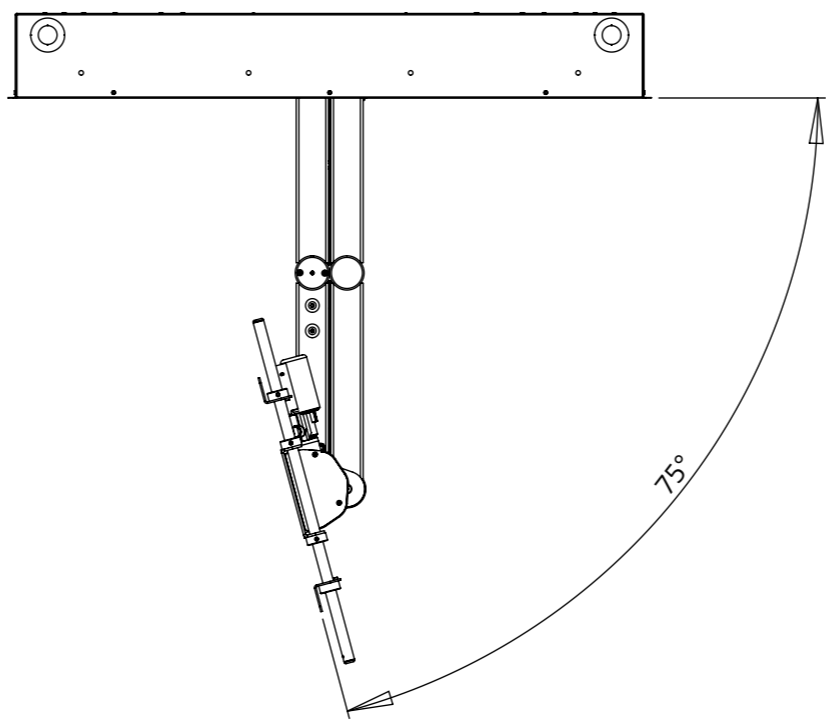
QA2-60 OUT - MAXIMUM EXTENSION



QA2-60 MAX RIGHT SWIVEL



QA2-60 MAX LEFT SWIVEL



The bracket can move parallel to the wall to initially take the screen out of a tight recess before turning to the appropriate side.

WB QA2-60

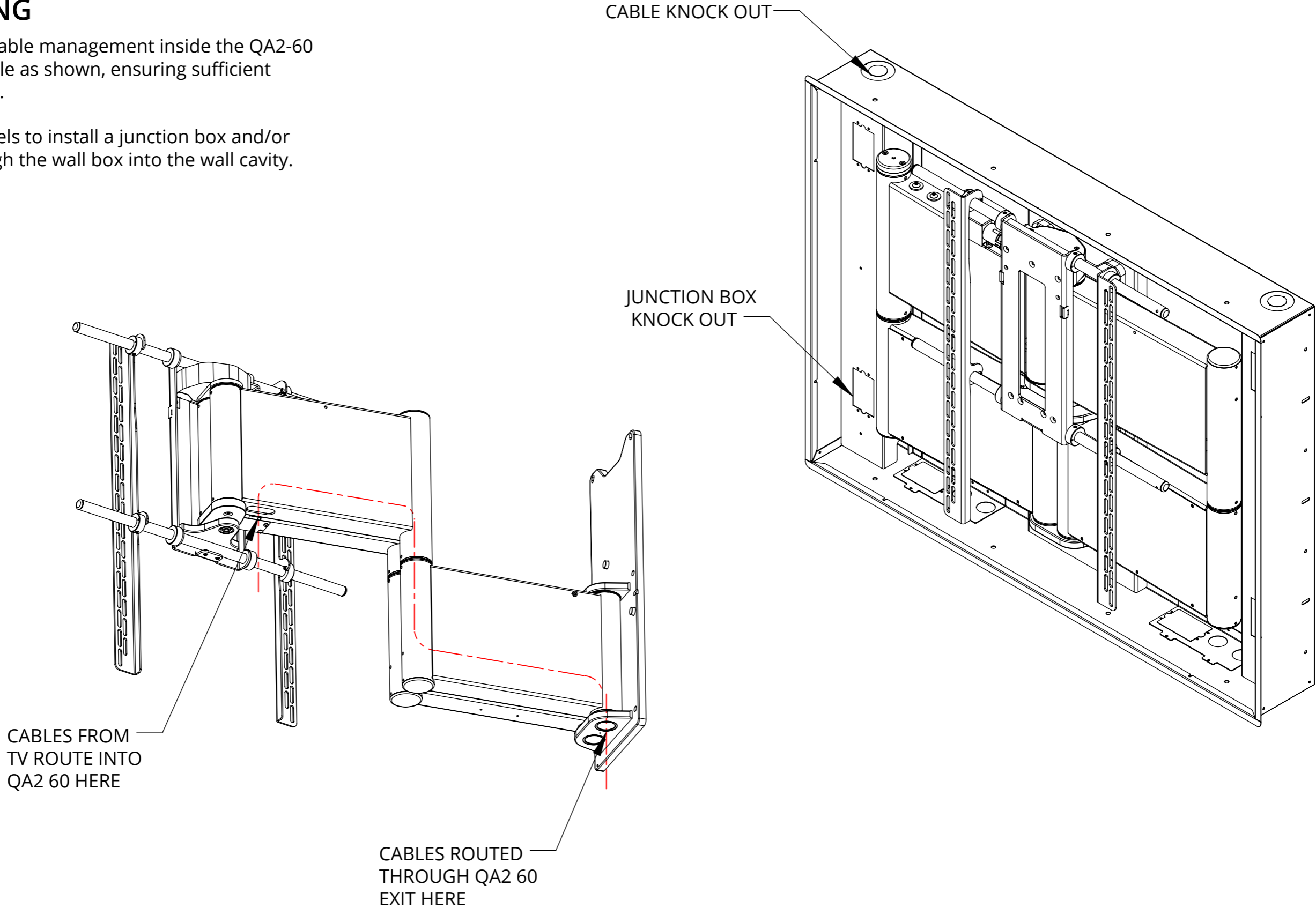
WALL BOX FOR QA2-60



CABLE ROUTING

Using the integrated cable management inside the QA2-60 mechanism, route cable as shown, ensuring sufficient slack at moving points.

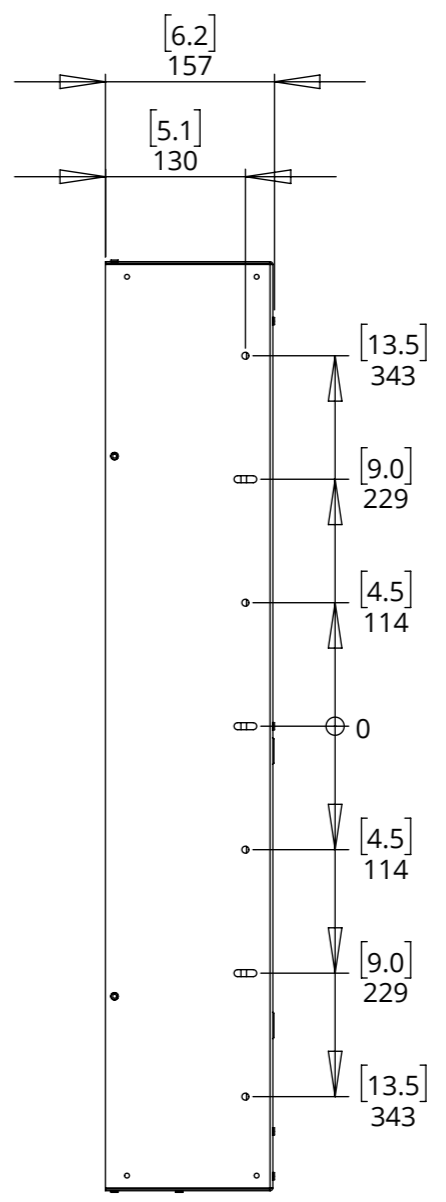
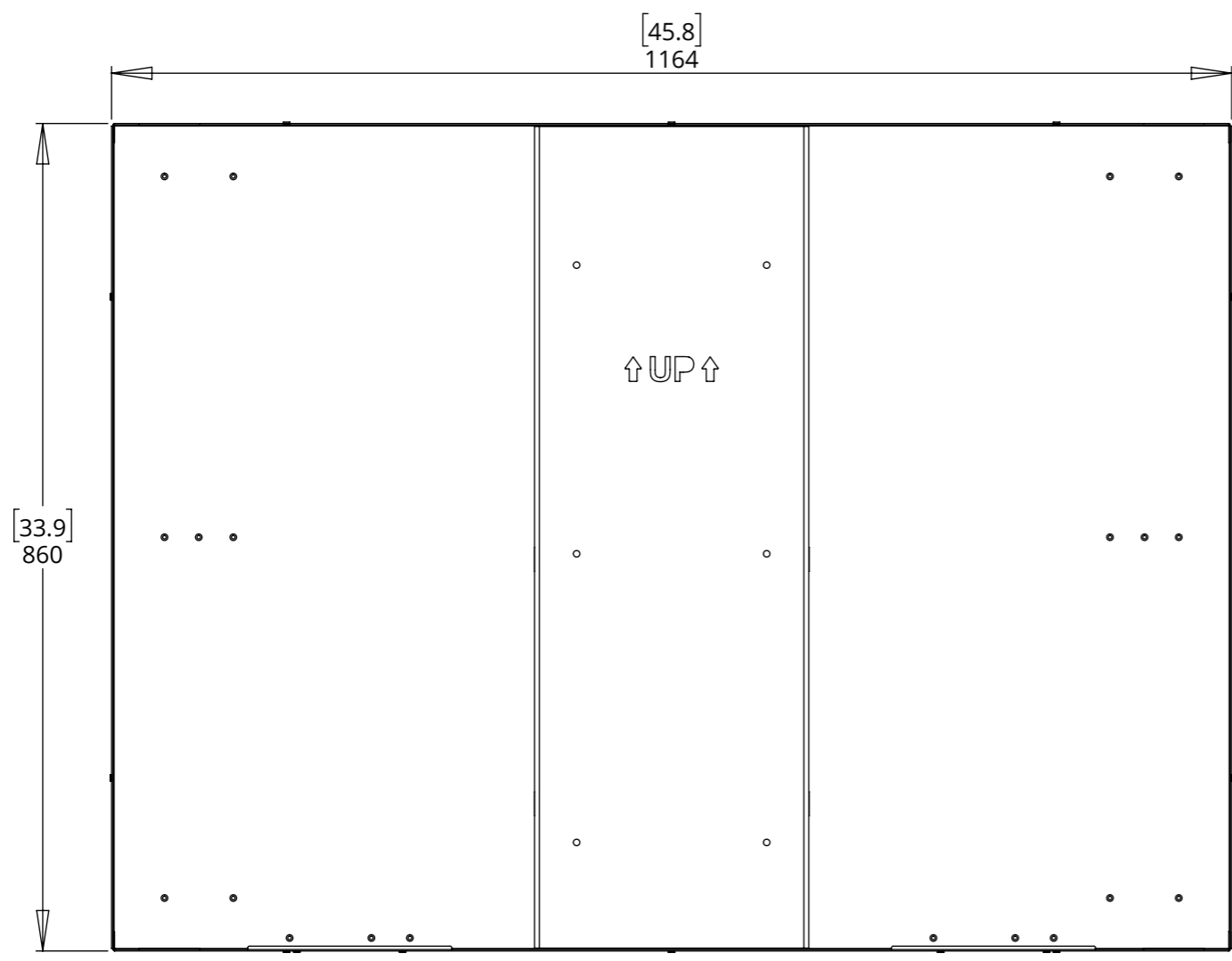
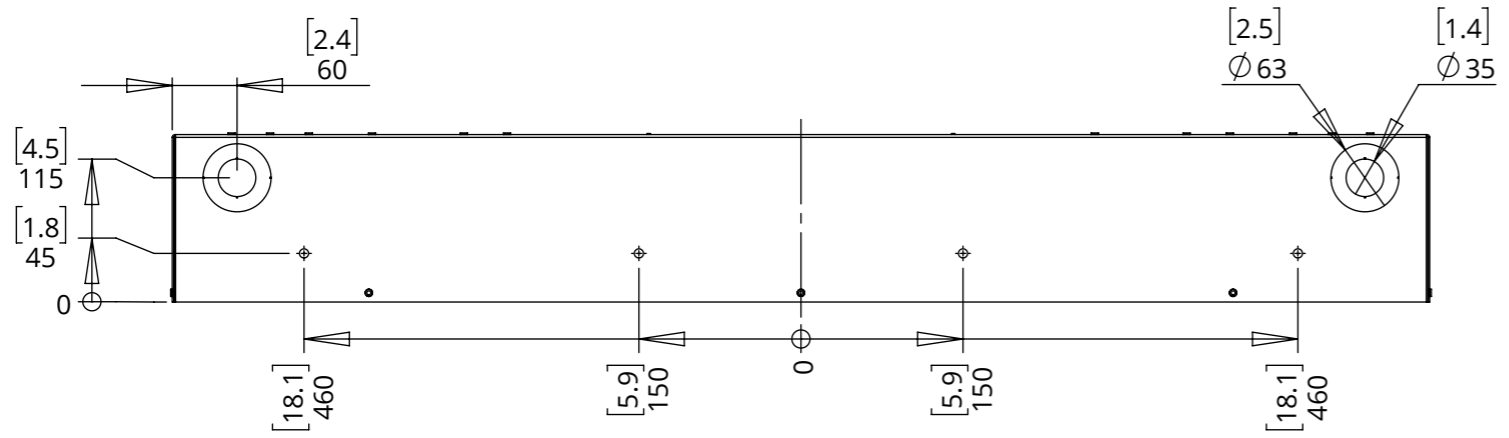
Use the knockout panels to install a junction box and/or pass the cables through the wall box into the wall cavity.



WB QA2-60

WALL BOX FOR QA2-60

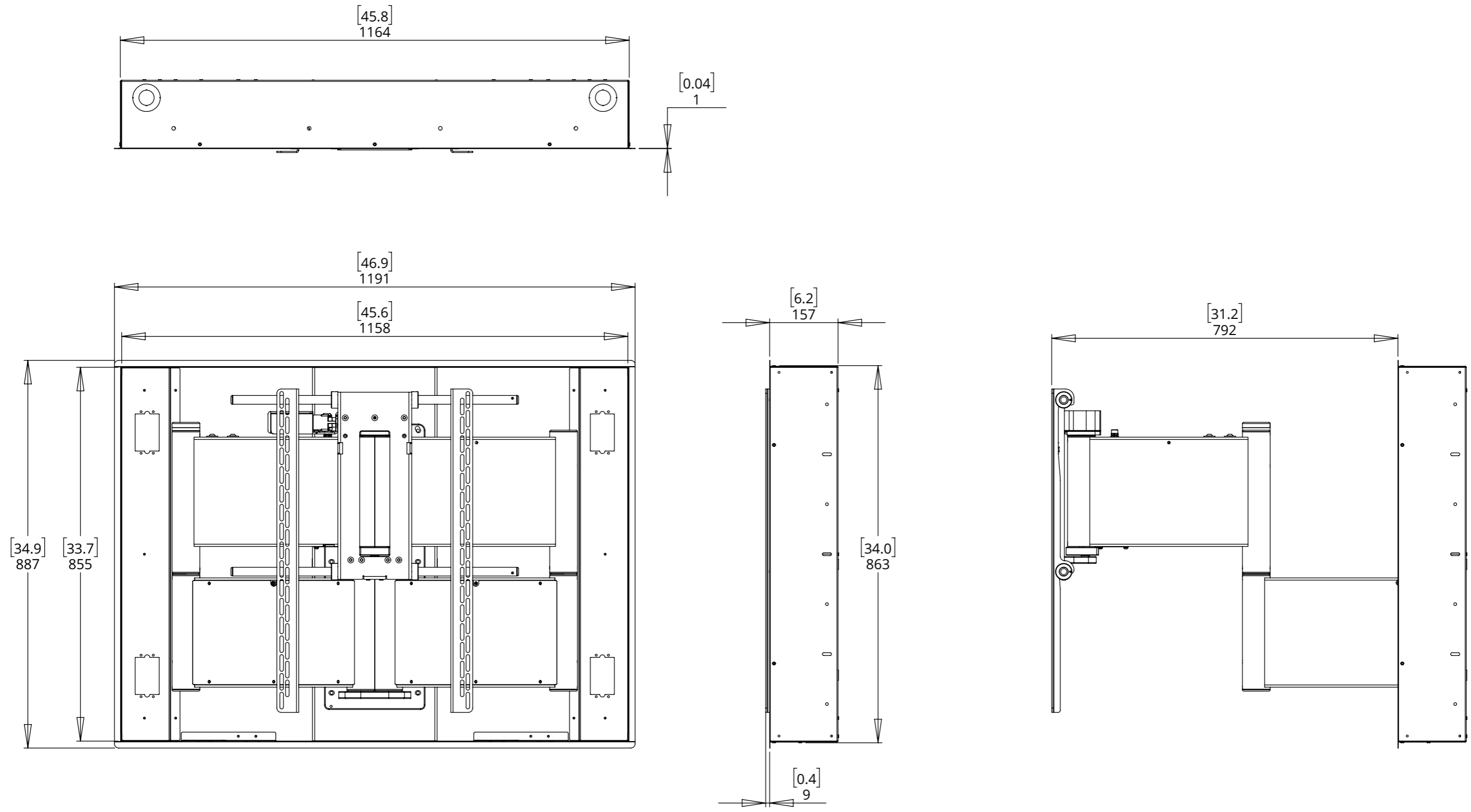
WALL BOX MOUNTING DIMENSIONS



WB QA2-60

WALL BOX FOR QA2-60

GENERAL DIMENSIONS



WB QA2-60

WALL BOX FOR QA2-60

ROTATION ANGLE

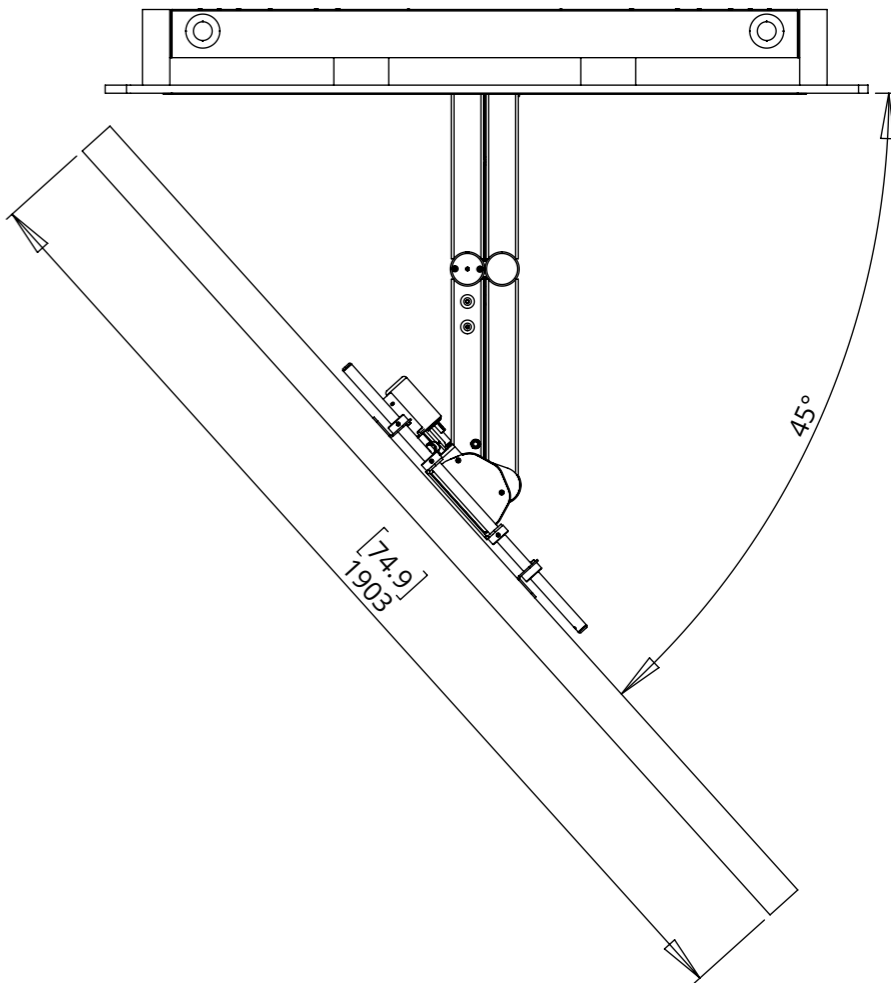
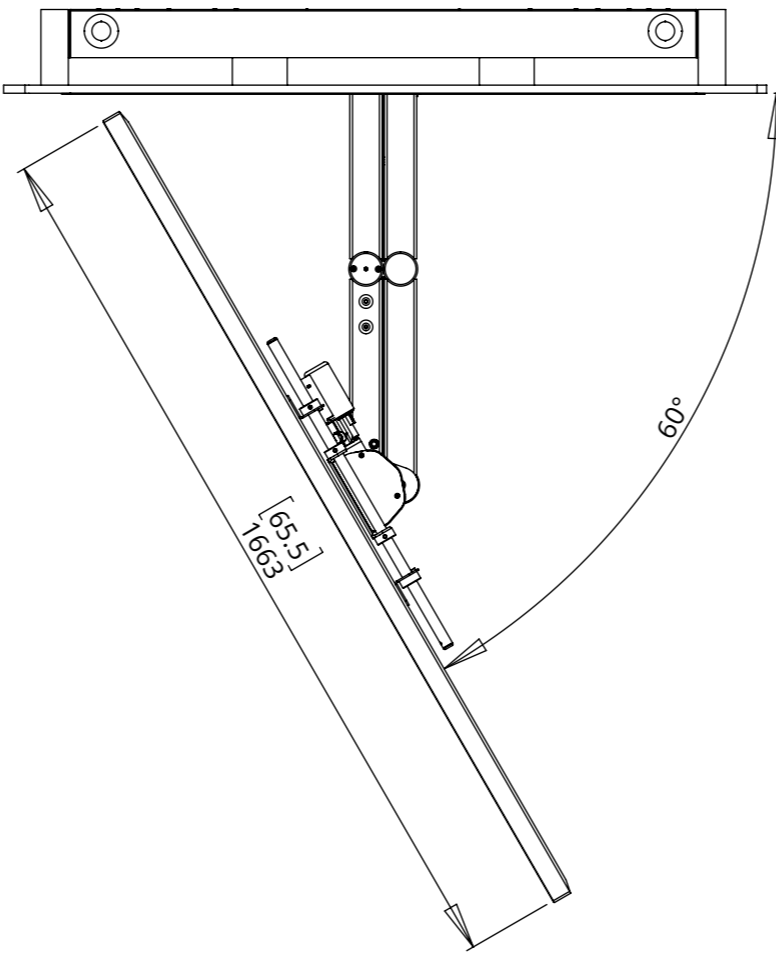
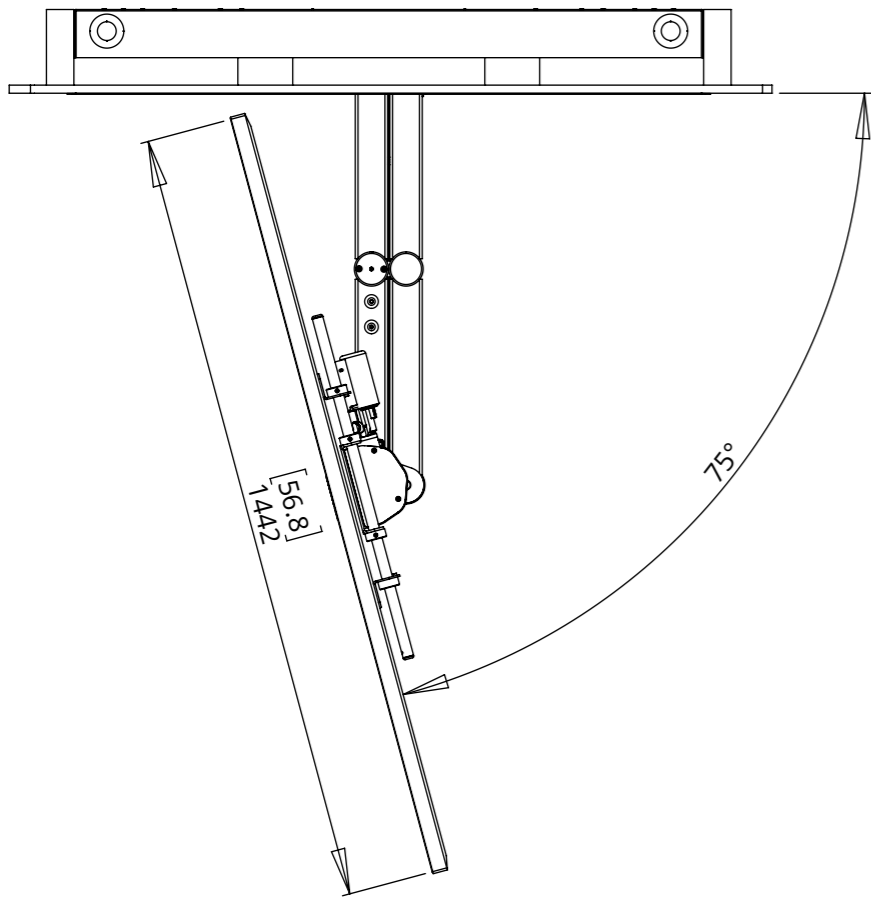
With the installation of the Wall Box, the QA2-60 wall plate is recessed back into the wall by 125mm [4.9"]. In turn this decreases the maximum viewing angle rotation for varying sized screens.

Below is a guide to the viewing angle achieved with different screen sizes, shown with the wall.

65" SCREEN

75" SCREEN

85" SCREEN



WB QA2-60

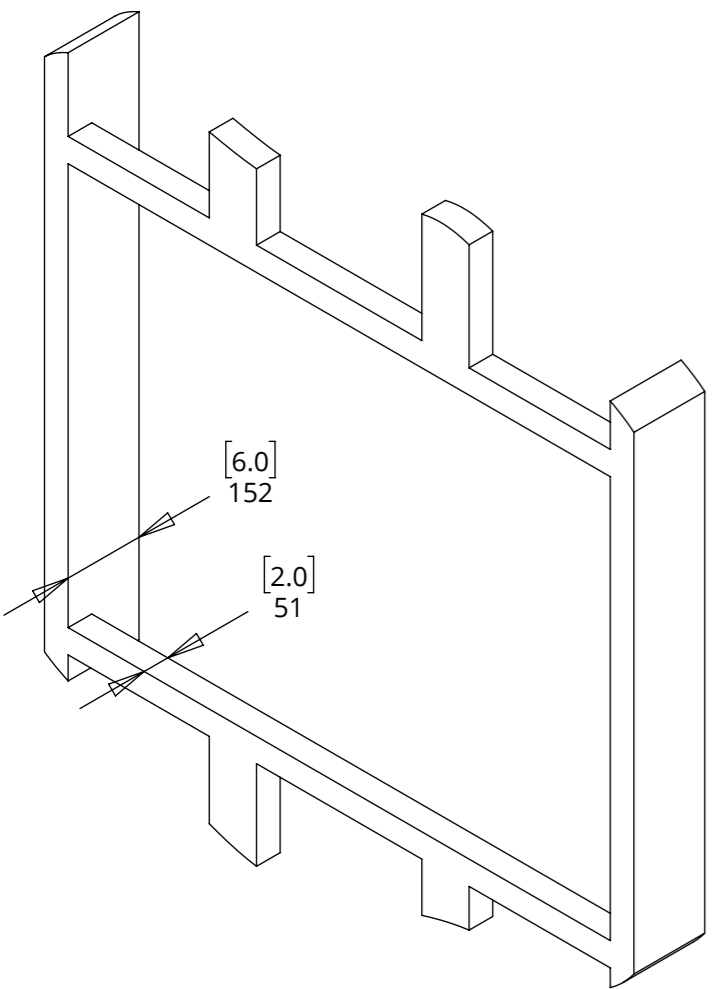
WALL BOX FOR QA2-60



FRAMING DETAILS

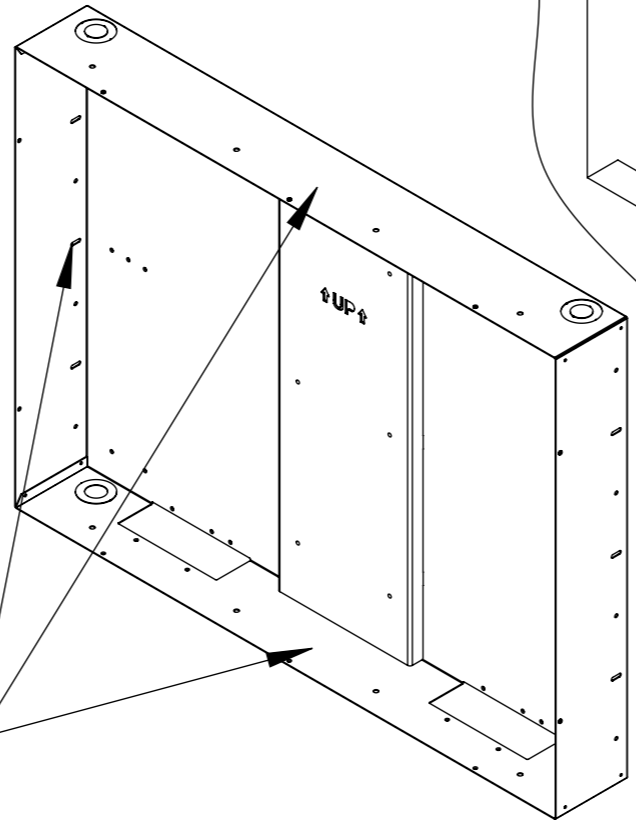
Shallow horizontal studding should be used when framing the Wall Box. This allows for cables and a watt box to be fitted within the wall, and pass through both the grommet holes and the panel cut outs in the box - shown on the Section View.

The studding either side of the wall box should be deeper to allow for secure fixing of the wall box.

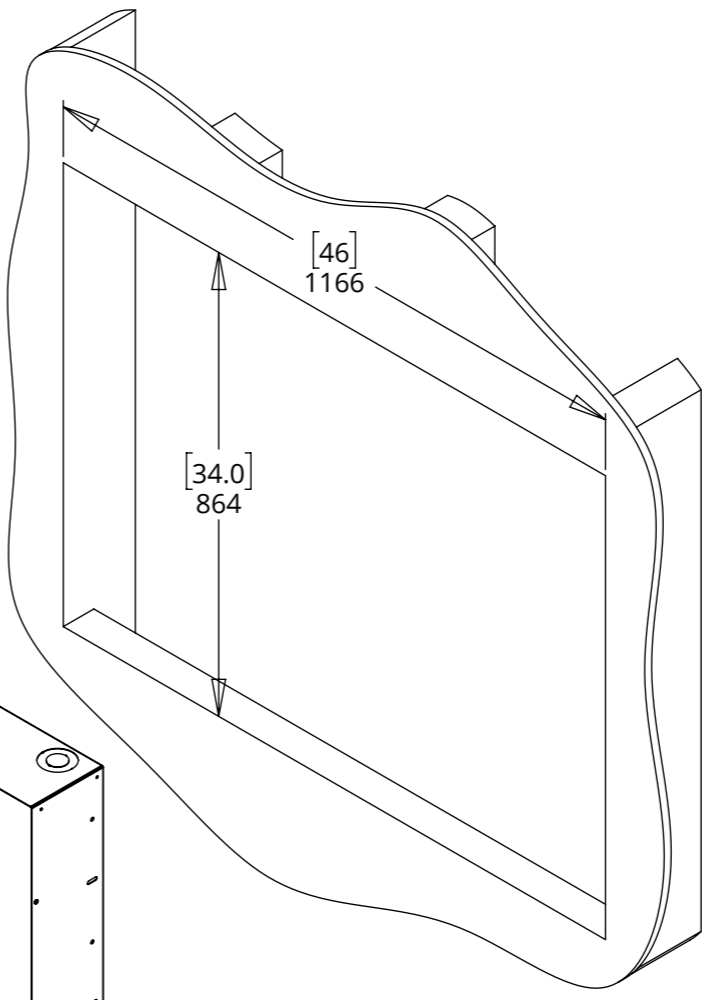


WALL STUDDING

WALL STUDDING WITH PLASTER BOARD



INSERT WALL BOX INTO RECESS AND SECURE THROUGH FIXING HOLES



SECTION VIEW

WB QA2-60

WALL BOX FOR QA2-60

