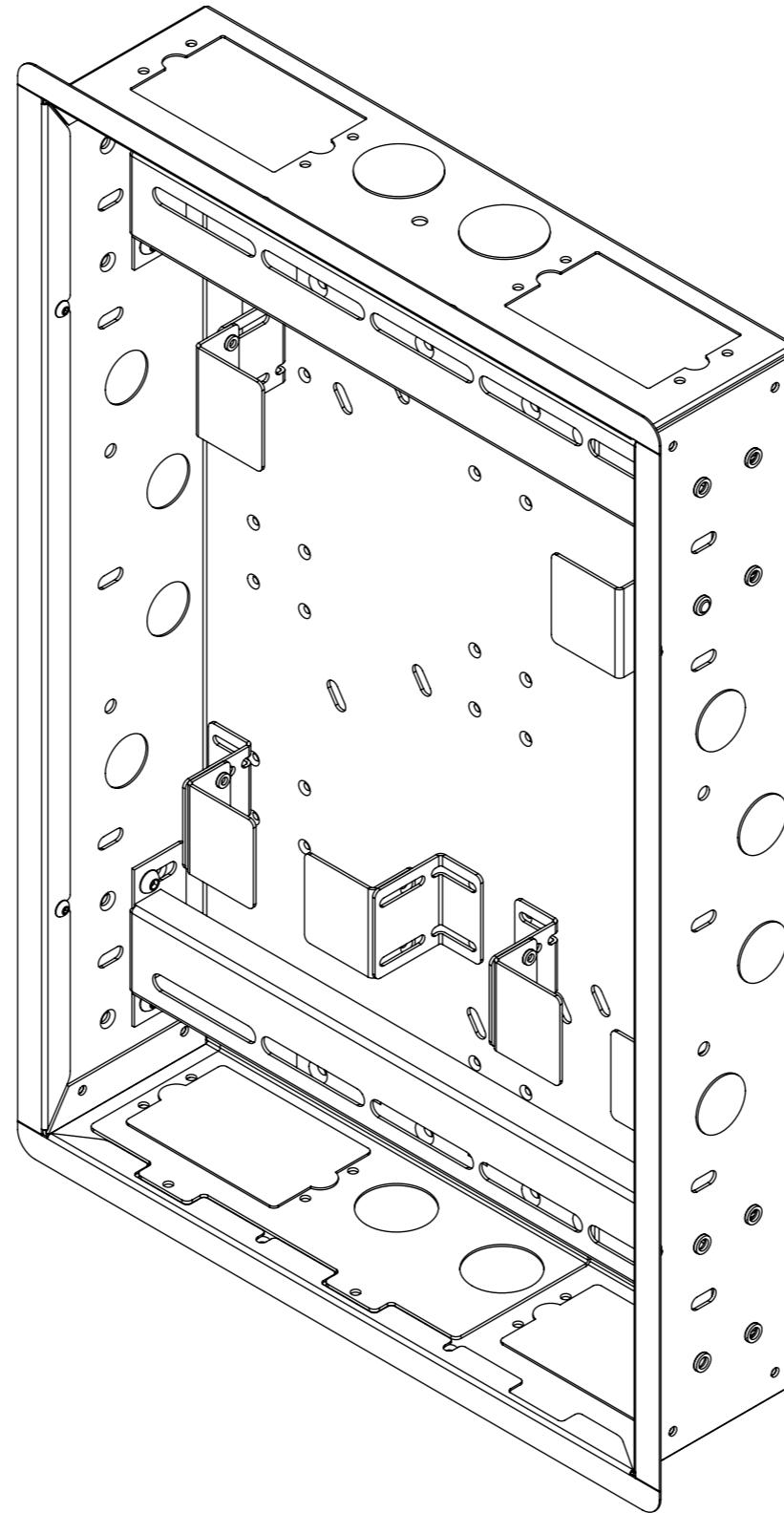


WB21

WALL BOX 21



future automation



WB21

WALL BOX 21



future automation

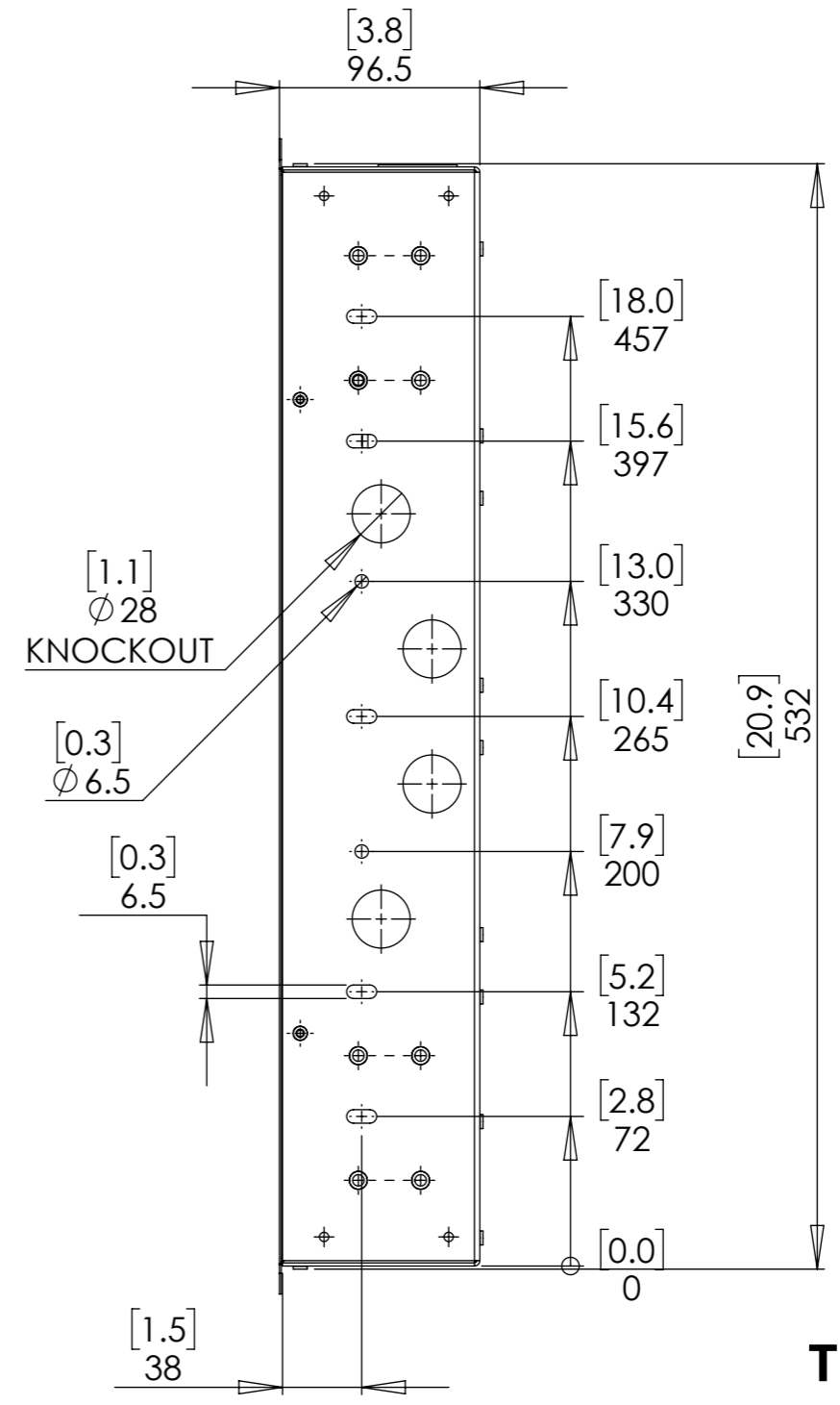
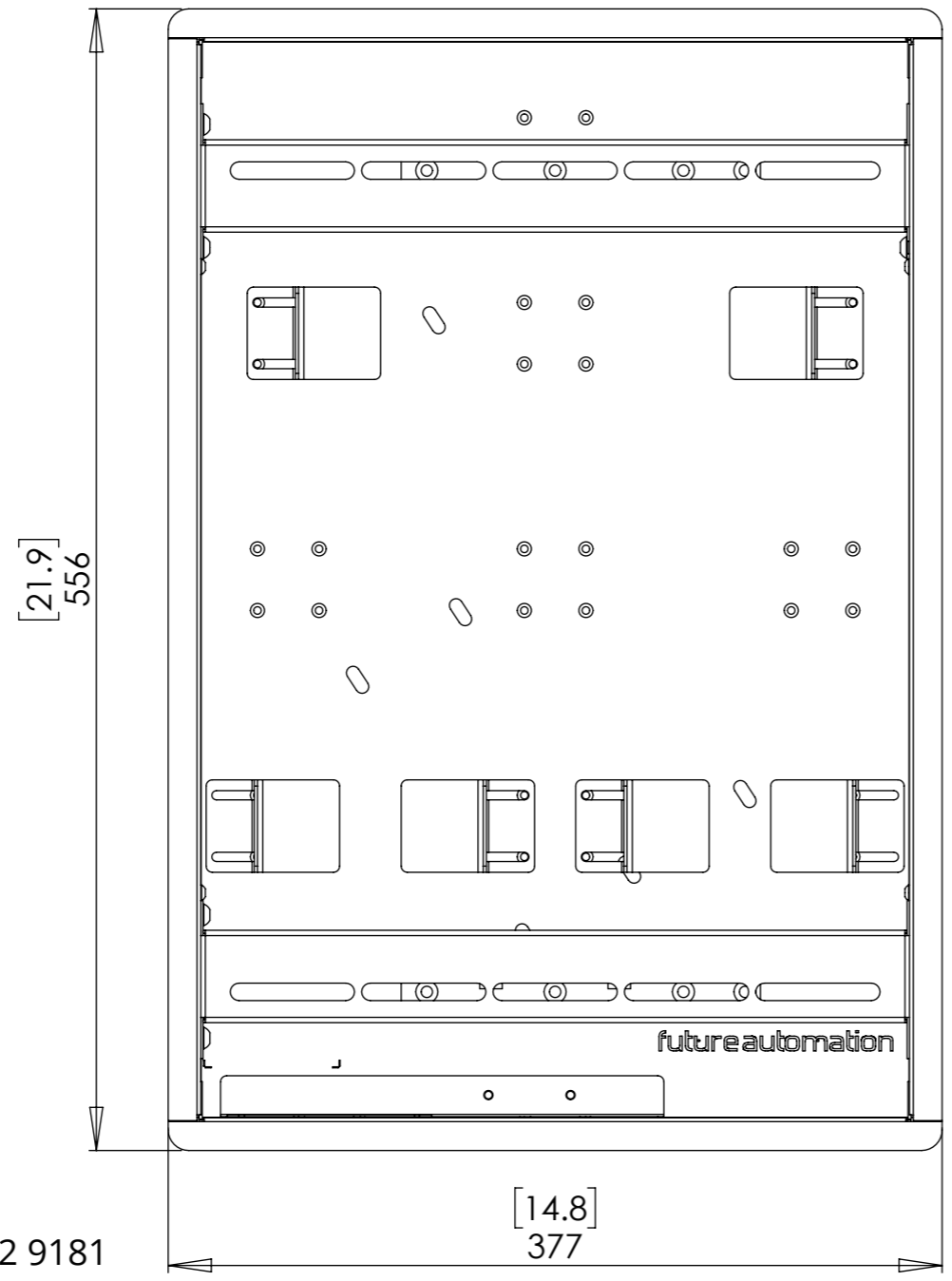
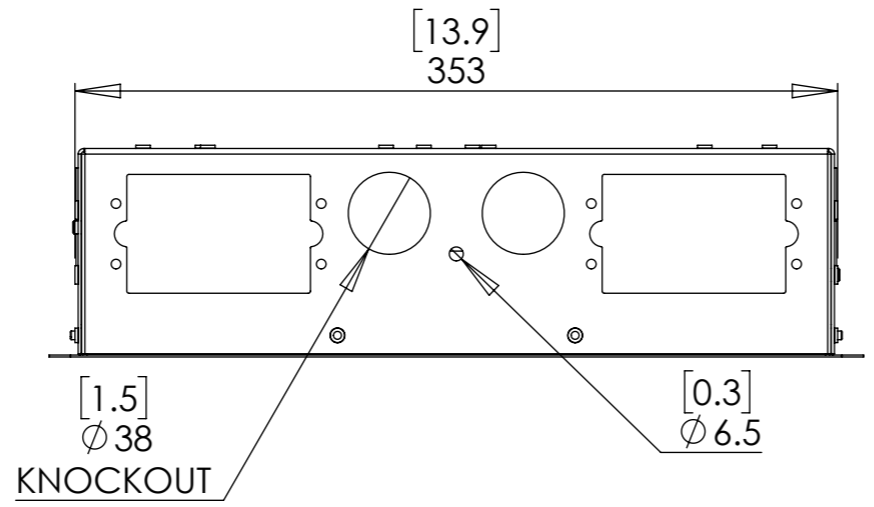
SPECIFICATION	MEASUREMENTS
Product Dimensions (in wall)	532 x 353 x 96.5mm (21 x 14 x 3.8")
PS Bracket Compatilby	PS40
Packaging Dimensions	425 x 600 x 185mm (16.73 x 23.62 x 7.28")
Shipping Weight	6.5Kg (14lb)
Product Options / Features	Custom RAL paint finishes, WB26, WB31
Package Contents	1 x Wall box, 3 x Pairs of clamp brackets, 2 x PS bracket mount rails, 2 x Horizontal trim strips, 2 x Vertical trim strips, 1 x WattBox mount bracket set
Marine Suitable	No

WB21

WALL BOX 21

DIMENSIONS

- Contents include:
- 1 x Wall box
 - 3 x Pairs of clamp brackets
 - 2 x PS bracket mount rails
 - 2 x Horizontal trim strips
 - 2 x Vertical trim strips
 - 1 x WattBox mount bracket set



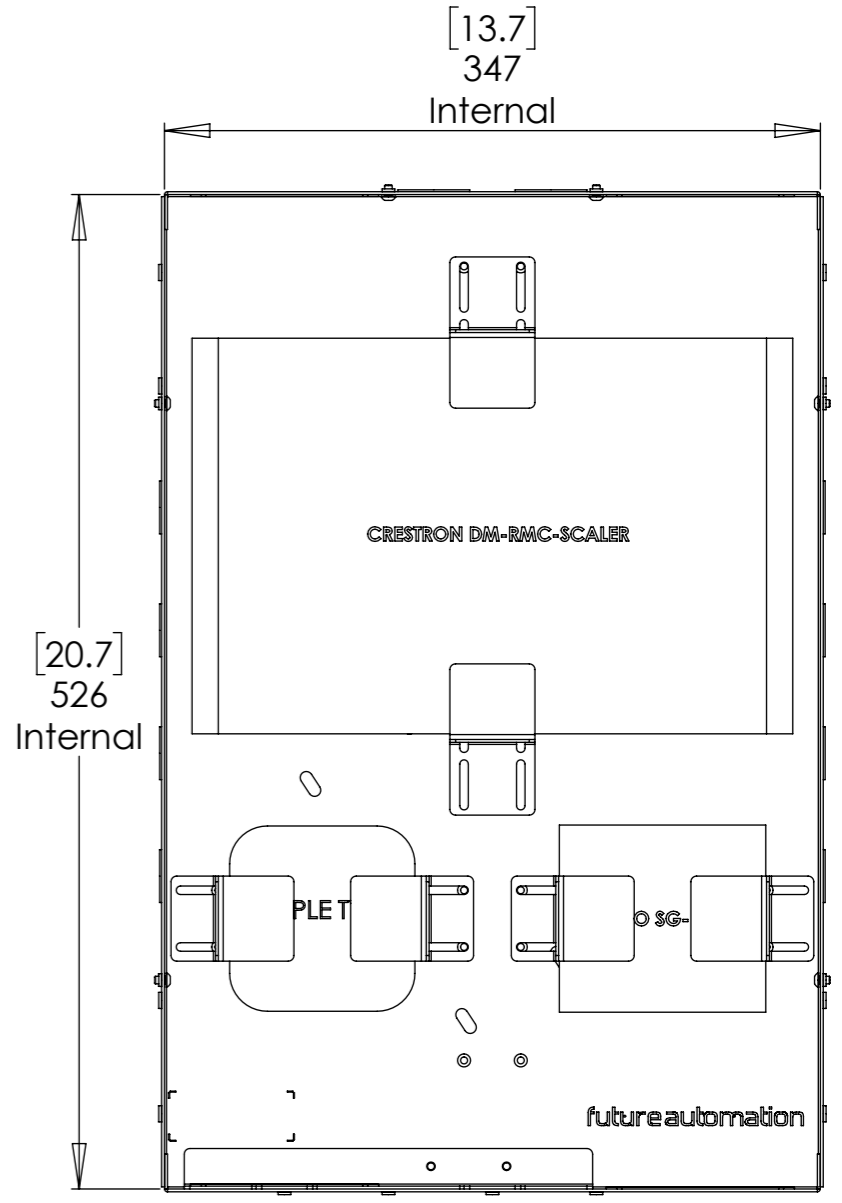
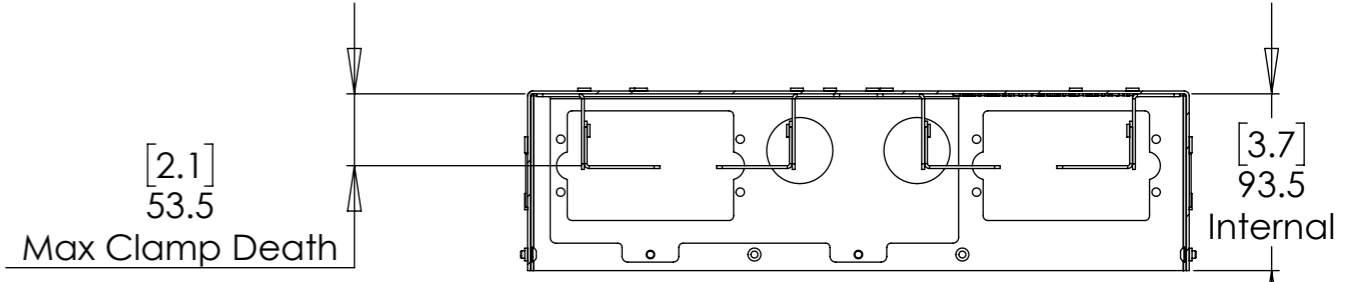
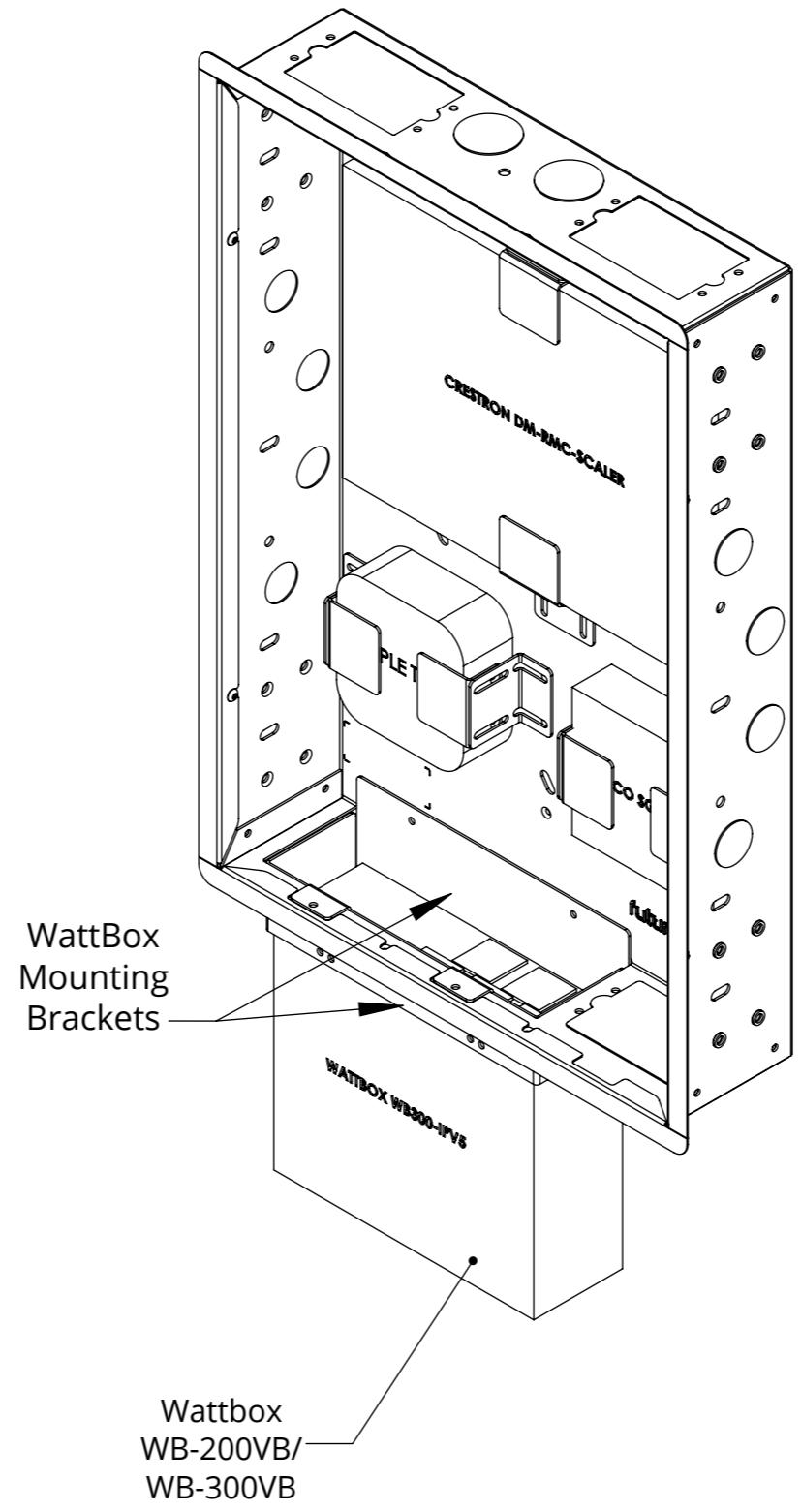
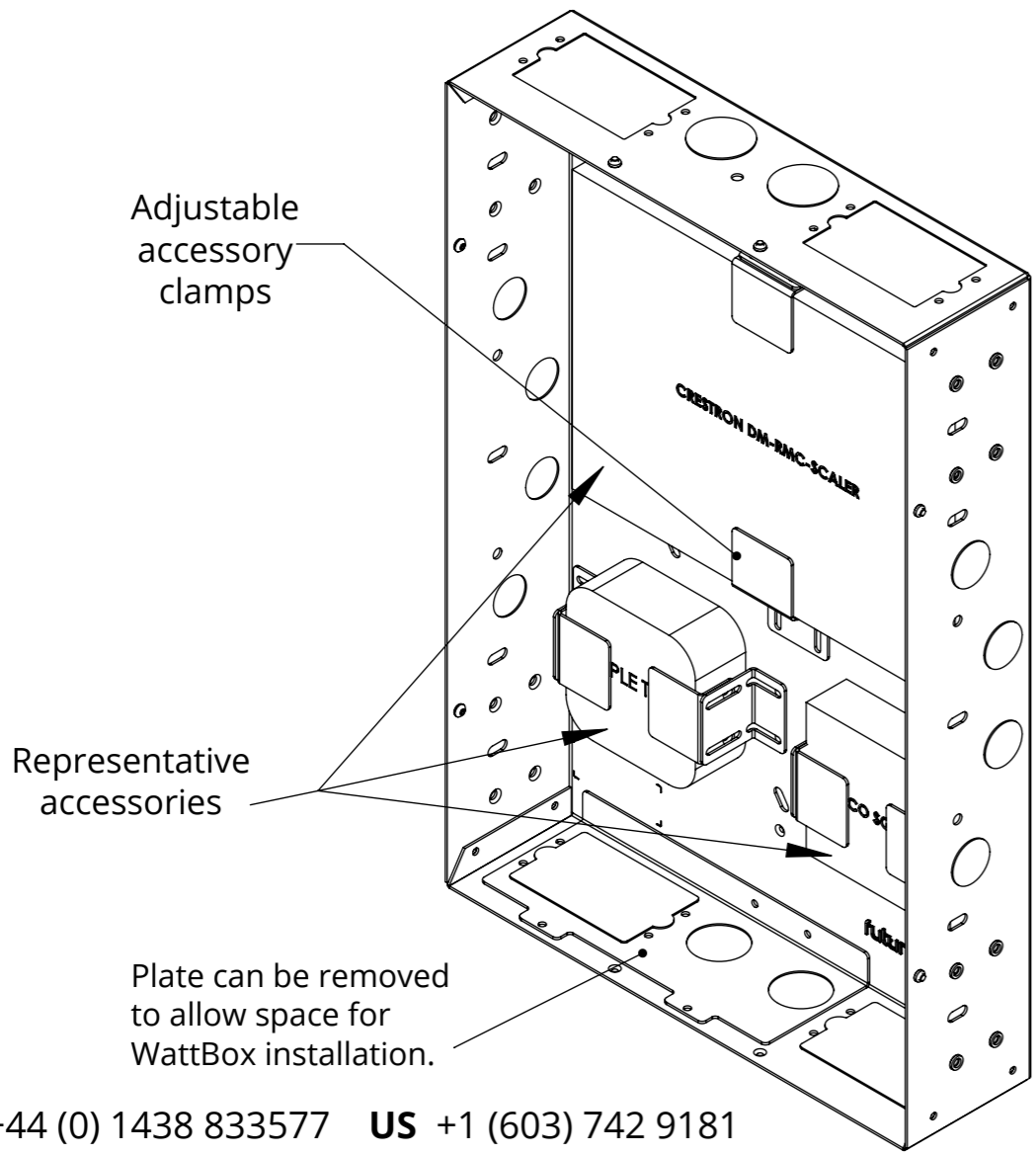
WB21 WALL BOX 21

ACCESSORY MOUNTING FEATURES

The WB 21 features adjustable accessory clamps and a large mounting space that means it is perfectly suited to a wide variety of AV accessories.

The removable plate and provided mounting brackets allow the WattBox WB-200/300VB to be mounted into the lower face of any size Wall Box.

- These include:
- Samsung One Connect
 - Power conditioners e.g BlueBolt SM-3 Pro
 - Baluns
 - Small audio converters
 - Apple TV
 - Roku
 - SnapAV OVRc compact power conditioner

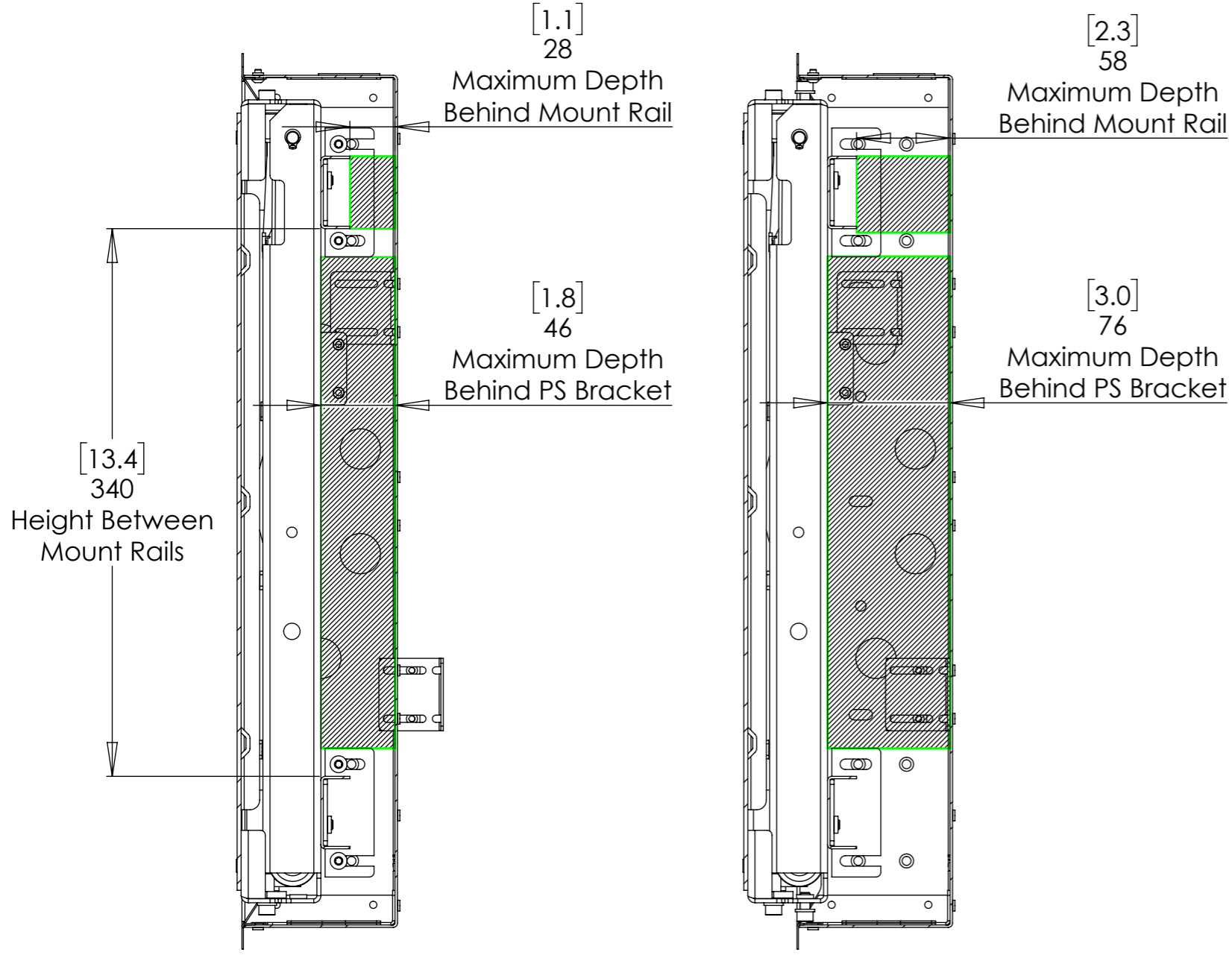


WB21 WALL BOX 21

PS BRACKET INSTALLATION FEATURES

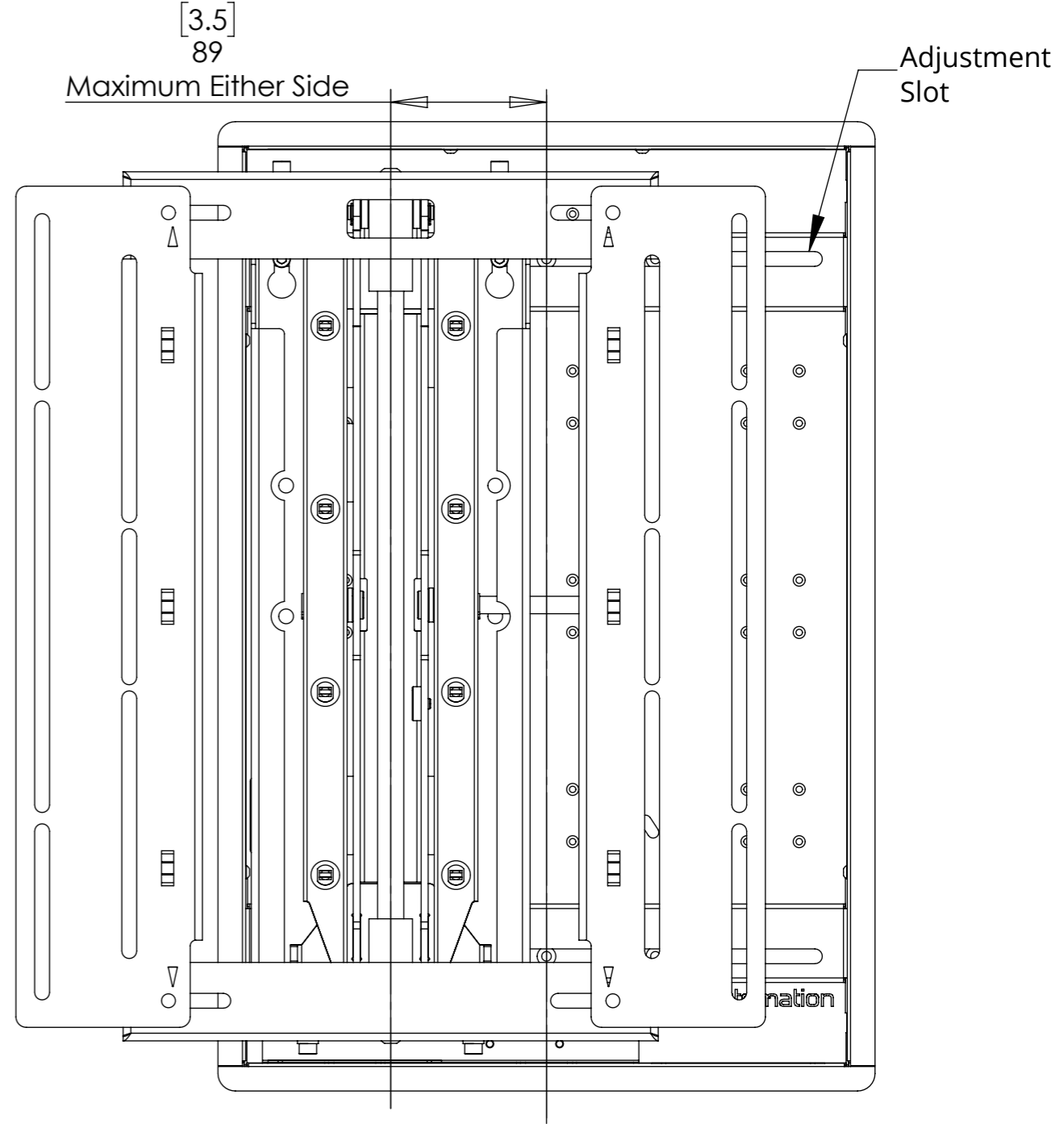
DEPTH ADJUSTMENT

The bracket mount rail has two fixing positions that allow the space behind the PS bracket to be increased or decreased as desired to accommodate accessories.



LATERAL ADJUSTMENT

The bracket mount rail has slots on the front face to allow the PS bracket to shift laterally so that its location relative to the studs can be fine tuned.



WB21 WALL BOX 21



future automation

PS40 BRACKET MOUNTING

The PS40 has one central mounting position within the WB21 wall box.

