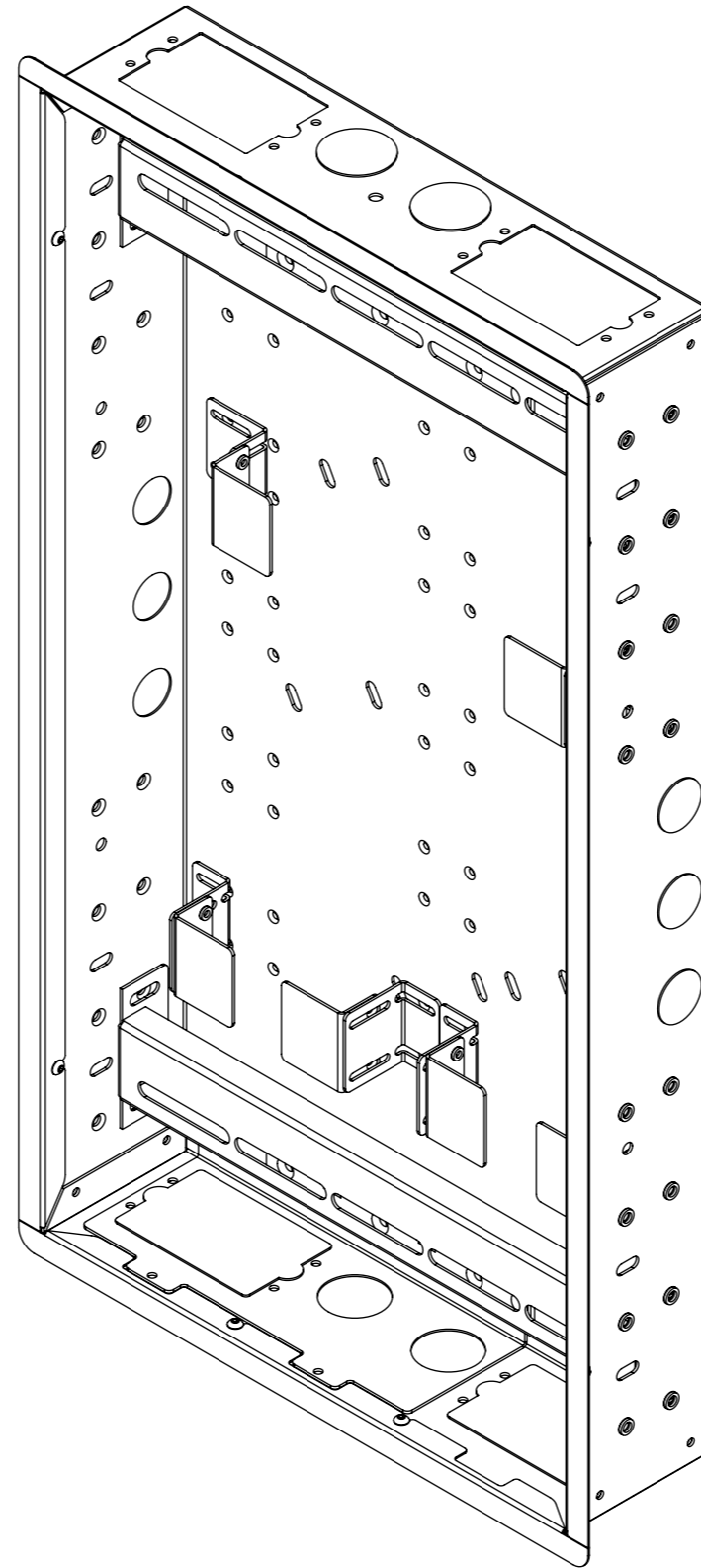


# WB26

## WALL BOX 26



future automation



# WB26

## WALL BOX 26



future automation

SPECIFICATION	MEASUREMENTS
Product Dimensions	660 x 353 x 96.5mm (26 x 14 x 3.8")
PS Bracket Compatibility	PS40, PS55
Packaging Dimensions	425 x 730 x 185cm (16.73 x 28.74 x 7.28")
Shipping Weight	7.5kg (16lbs)
Product Options / Features	Custom RAL paint finishes, WB21, WB31
Package Contents	1 x Wall box, 3 x Pairs of clamp brackets, 2 x PS bracket mount rails, 2 x Horizontal trim strips, 2 x Vertical trim strips, 1 x WattBox mount bracket set
Marine Suitable	No

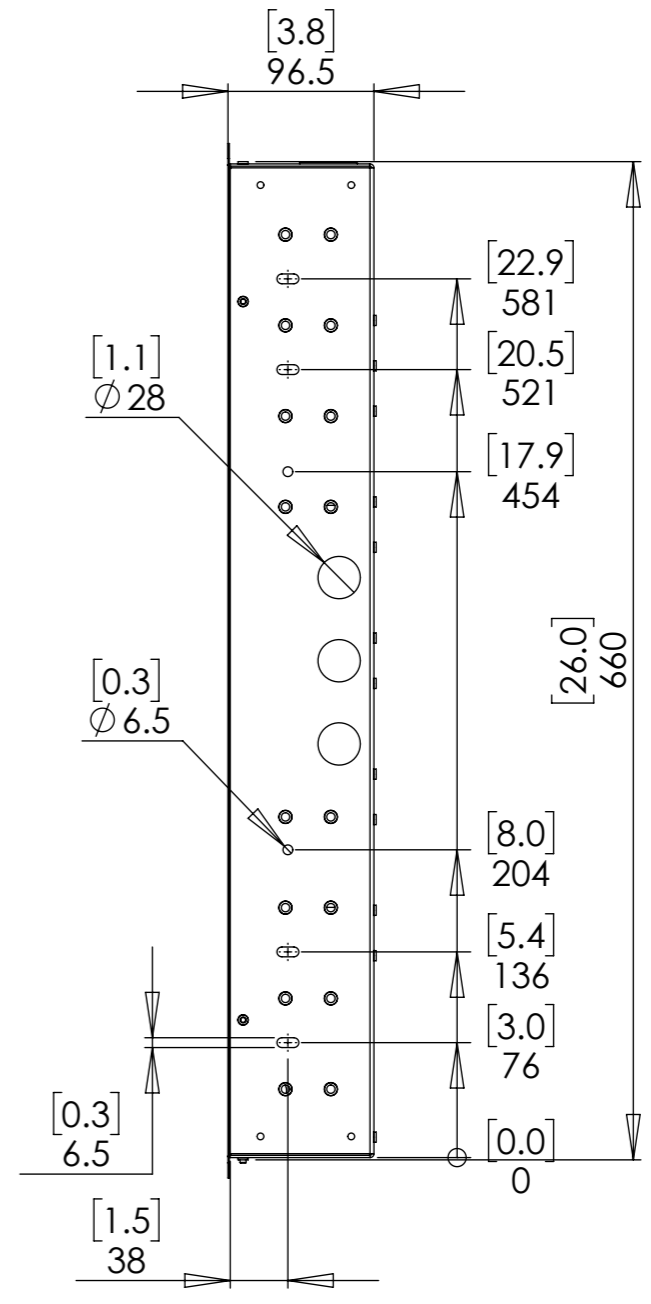
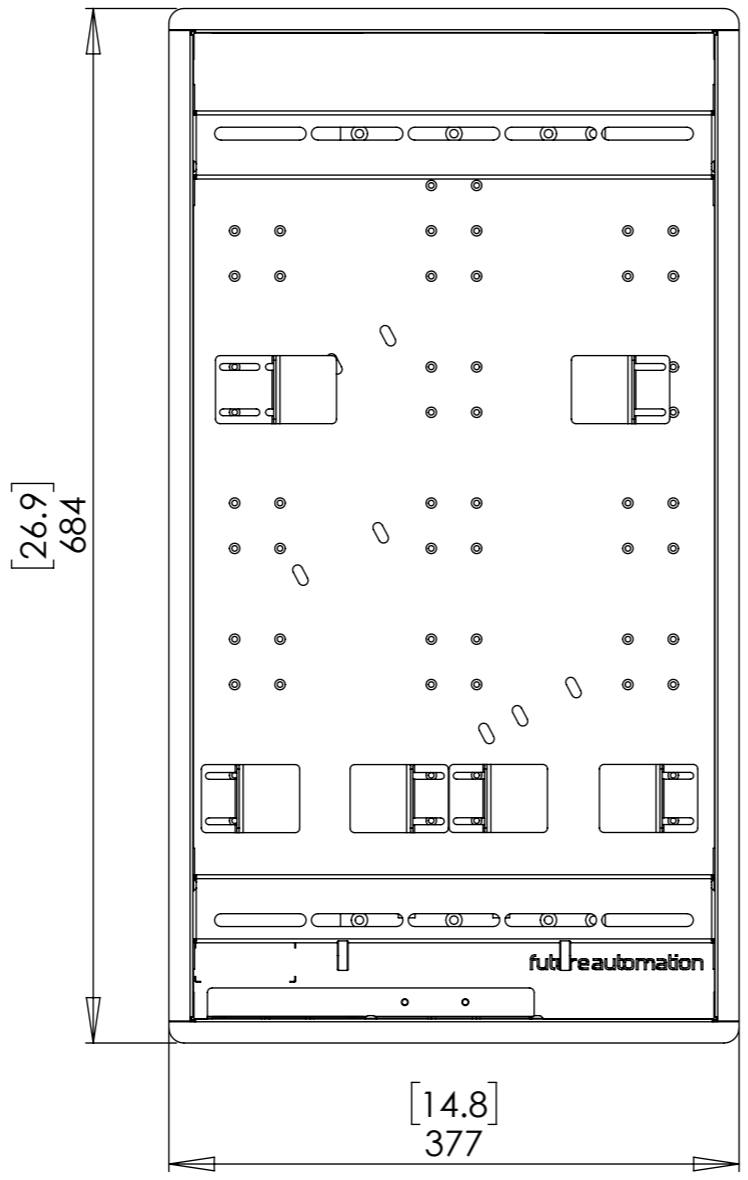
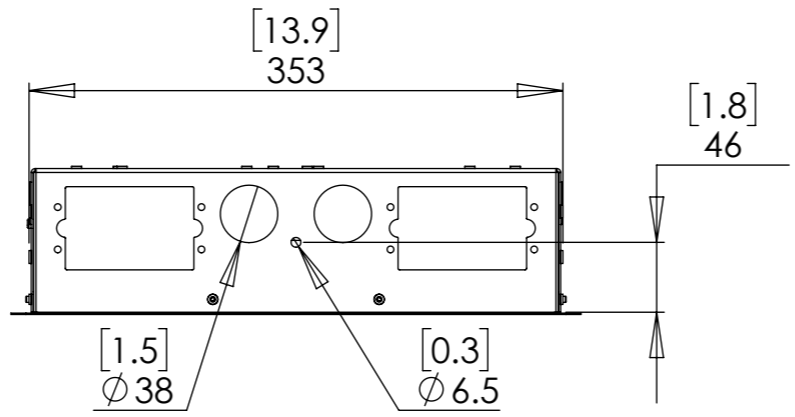
# WB26

## WALL BOX 26

### DIMENSIONS

Contents include:

- 1 x Wall box
- 3 x Pairs of clamp brackets
- 2 x PS bracket mount rails
- 2 x Horizontal trim strips
- 2 x Vertical trim strips
- 1 x WattBox mount bracket set



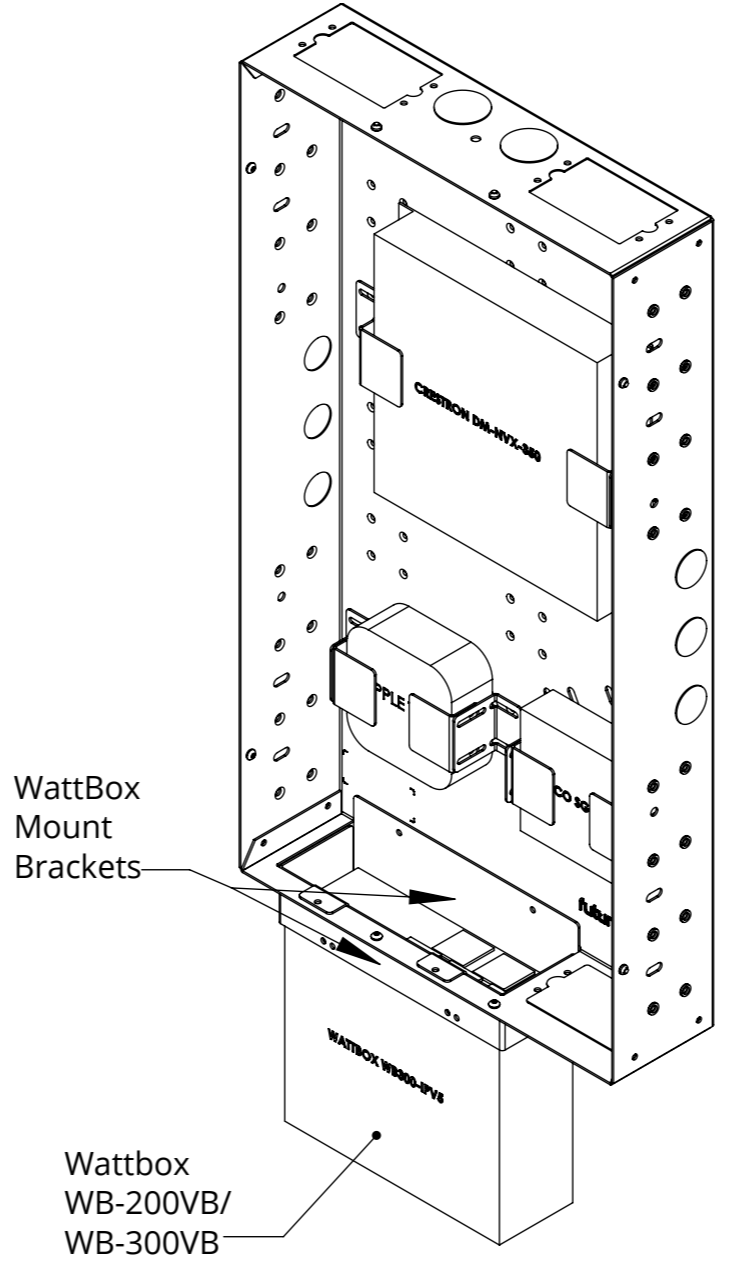
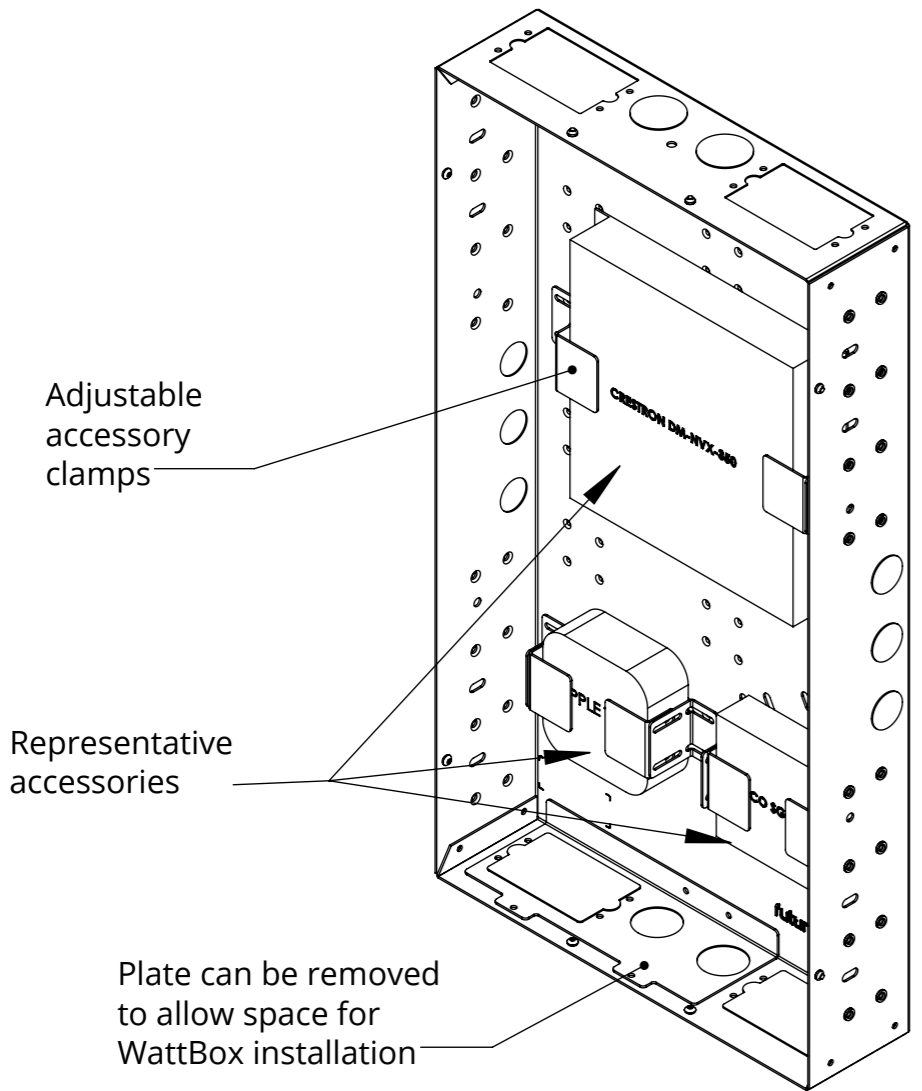
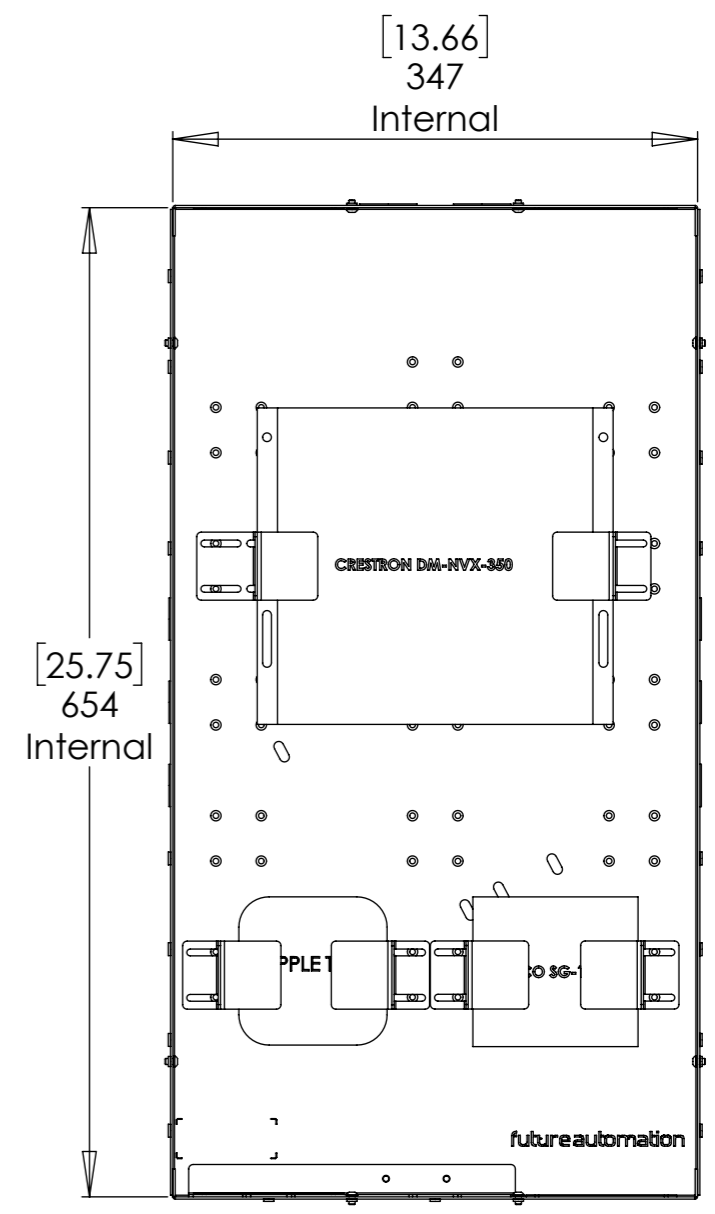
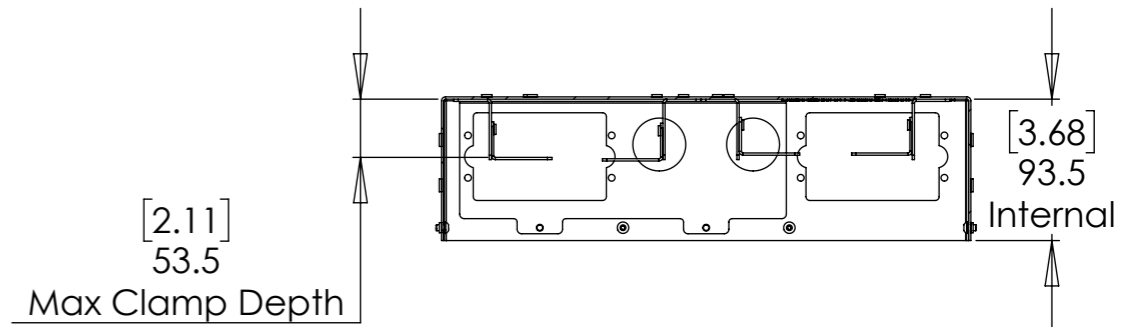
# WB26 WALL BOX 26

## ACCESSORY MOUNTING FEATURES

The WB 26 features adjustable accessory clamps and a large mounting space that means it is perfectly suited to a wide variety of AV accessories.

The removable plate and provided mounting brackets allow the WattBox WB-200/300VB to be mounted into the lower face of any size Wall Box.

- These include:
- Samsung One Connect
  - Power conditioners e.g BlueBolt SM-3 Pro
  - Baluns
  - Small audio converters
  - Apple TV
  - Roku
  - SnapAV OVRc compact power conditioner

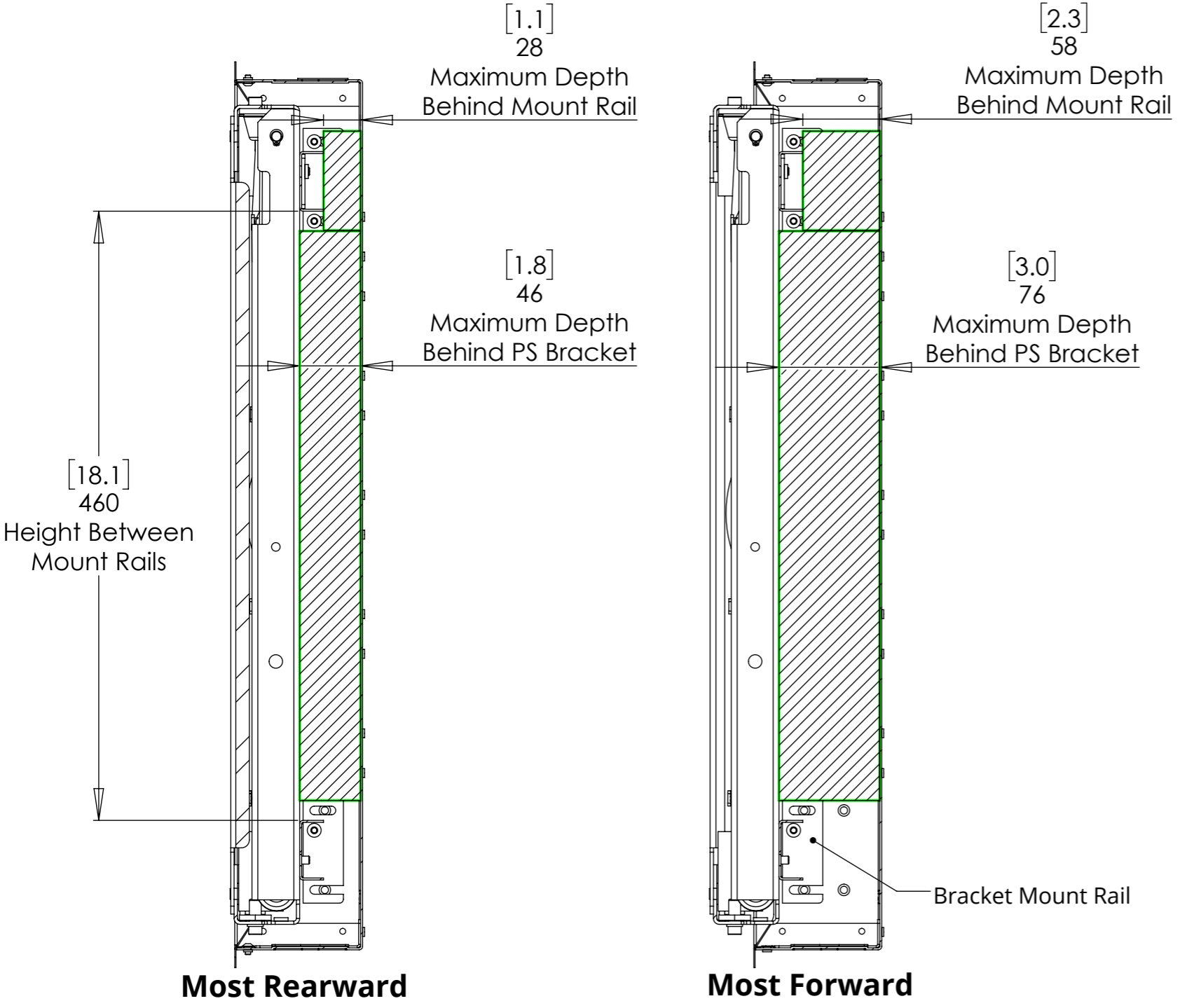


# WB26 WALL BOX 26

## PS BRACKET INSTALLATION FEATURES

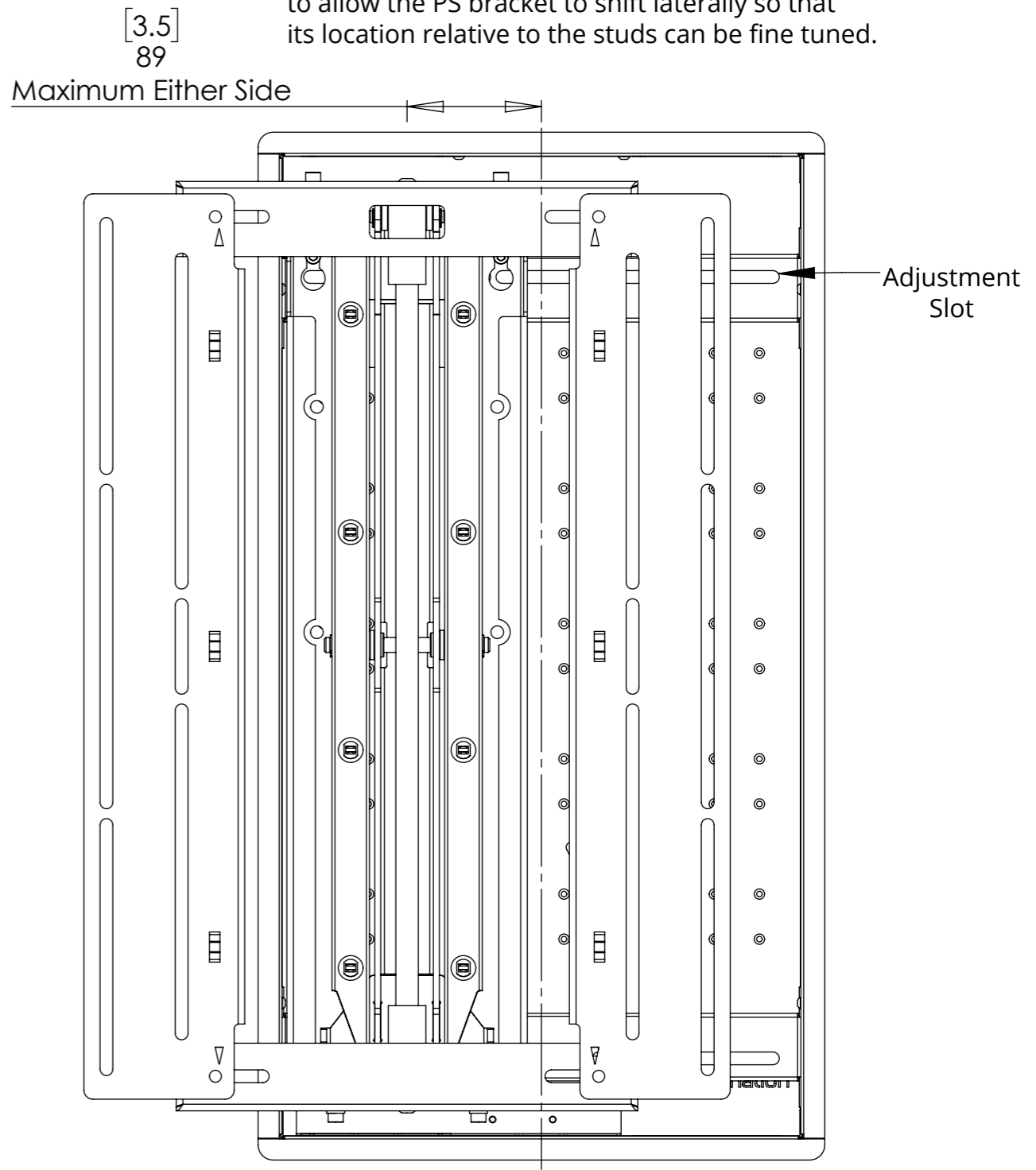
### Depth Adjustment

The bracket mount rail has two fixing positions that allow the space behind the PS bracket to be increased or decreased as desired to accommodate accessories.



### Lateral Adjustment

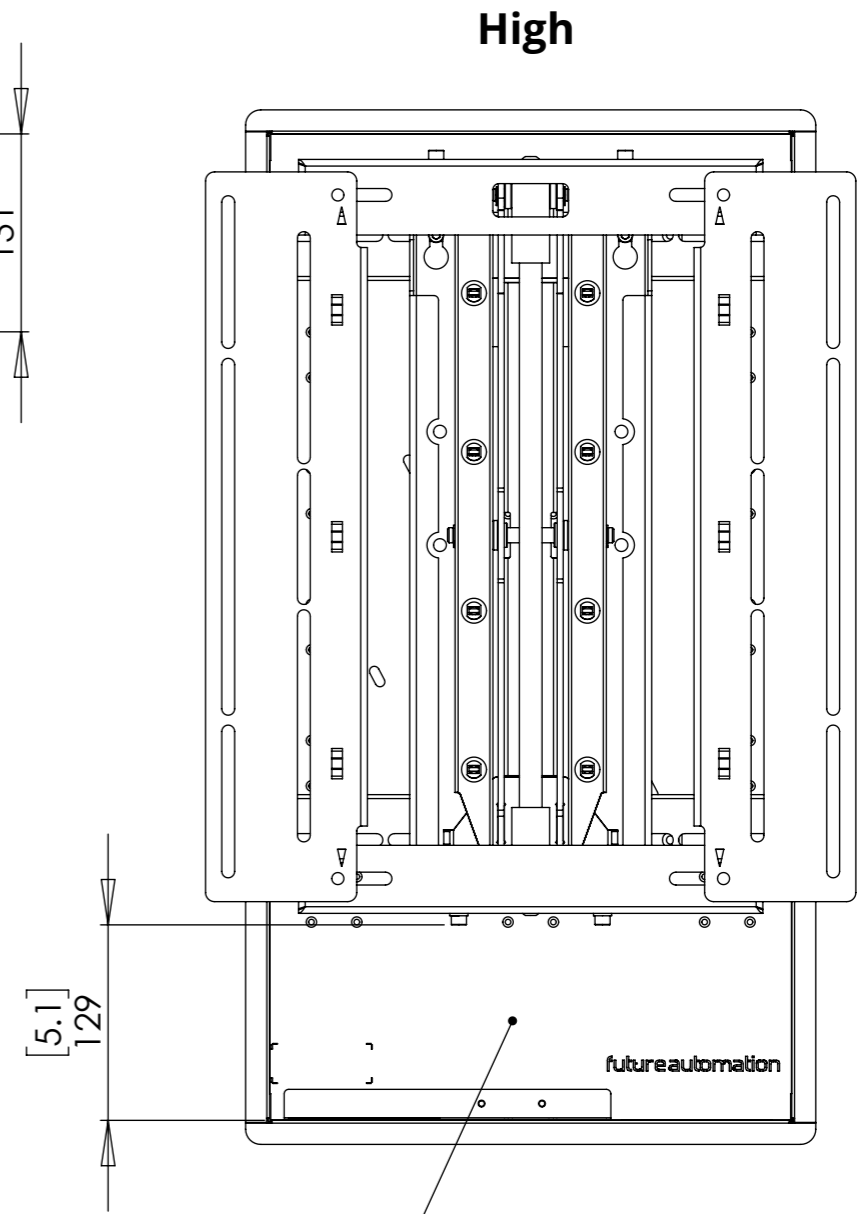
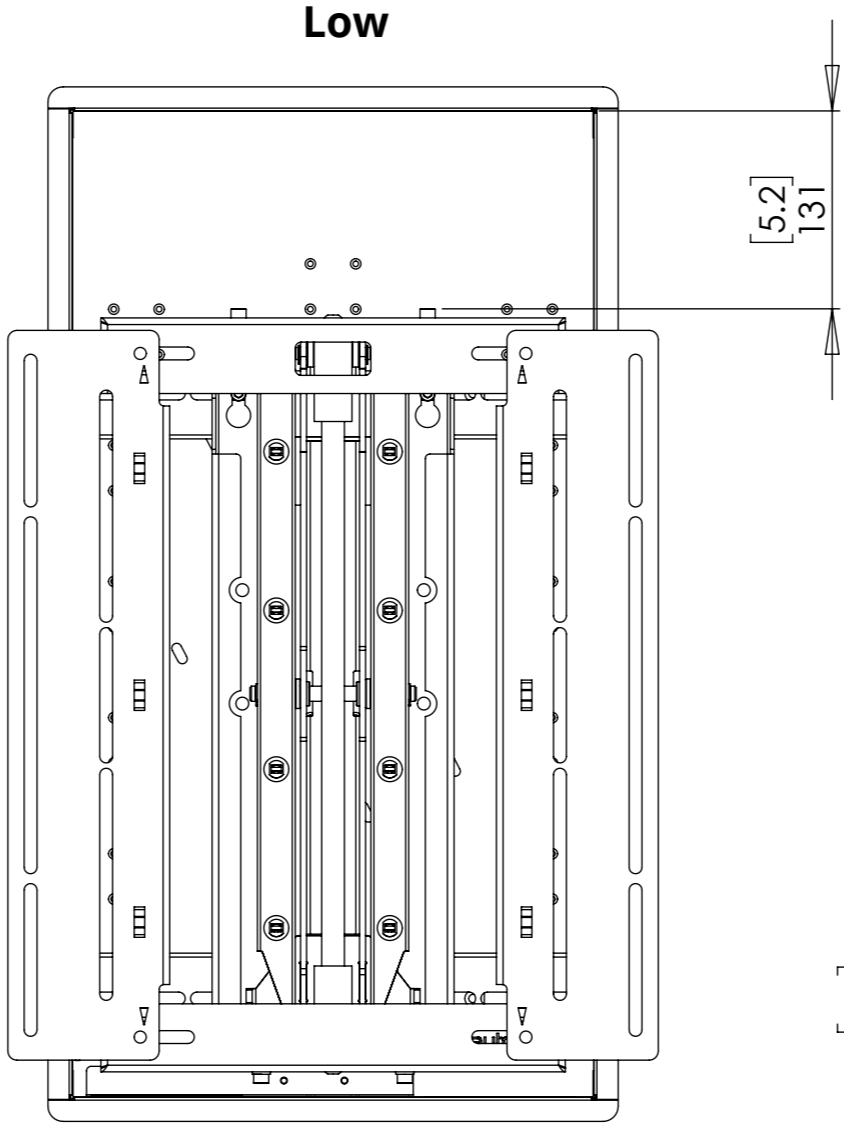
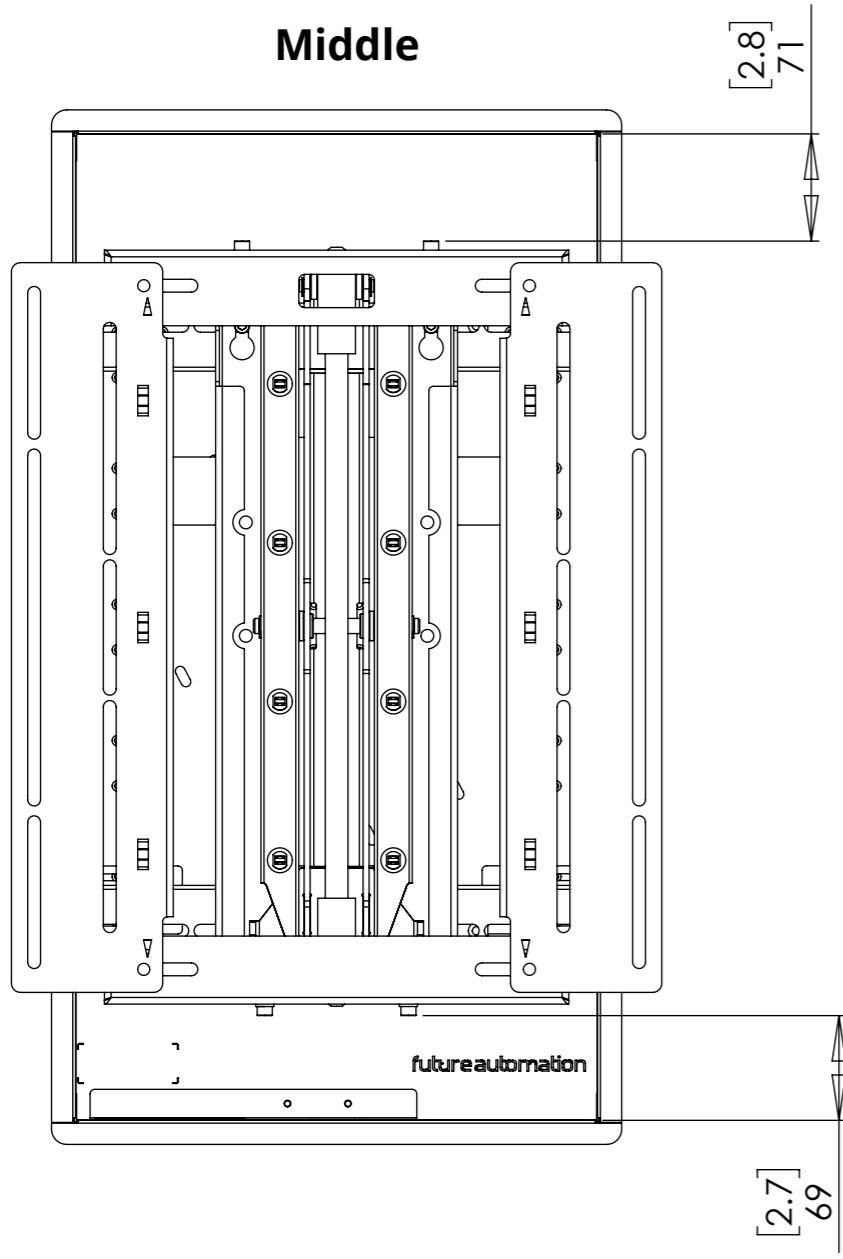
The bracket mount rail has slots on the front face to allow the PS bracket to shift laterally so that its location relative to the studs can be fine tuned.



# WB26 WALL BOX 26

## PS BRACKET MOUNTING

The PS40 can be mounted in 3 different vertical positions within the wall box as desired to allow more room for accessories.



Space available for extra equipment/accessories

# WB26 WALL BOX 26



## PS BRACKET MOUNTING

The PS55 has one central mounting position within the WB26 wall box.

