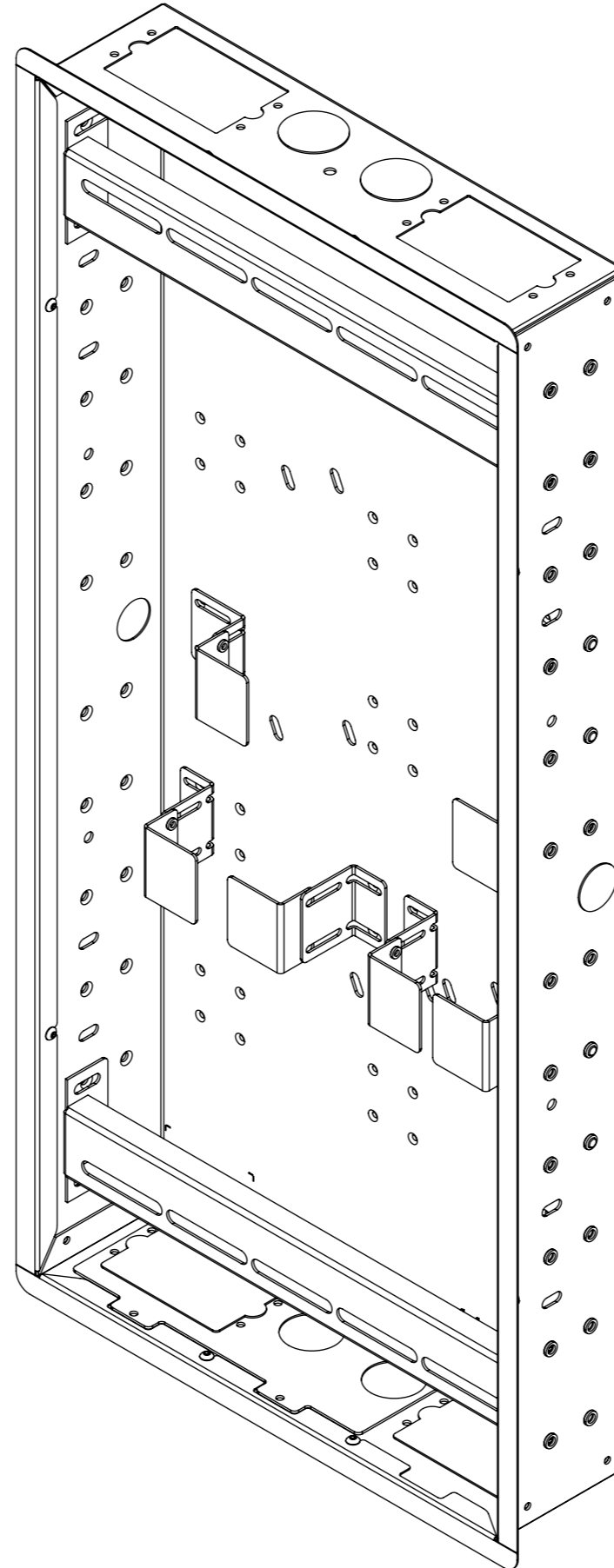


WB31

WALL BOX 31



future automation



WB31

WALL BOX 31



future automation

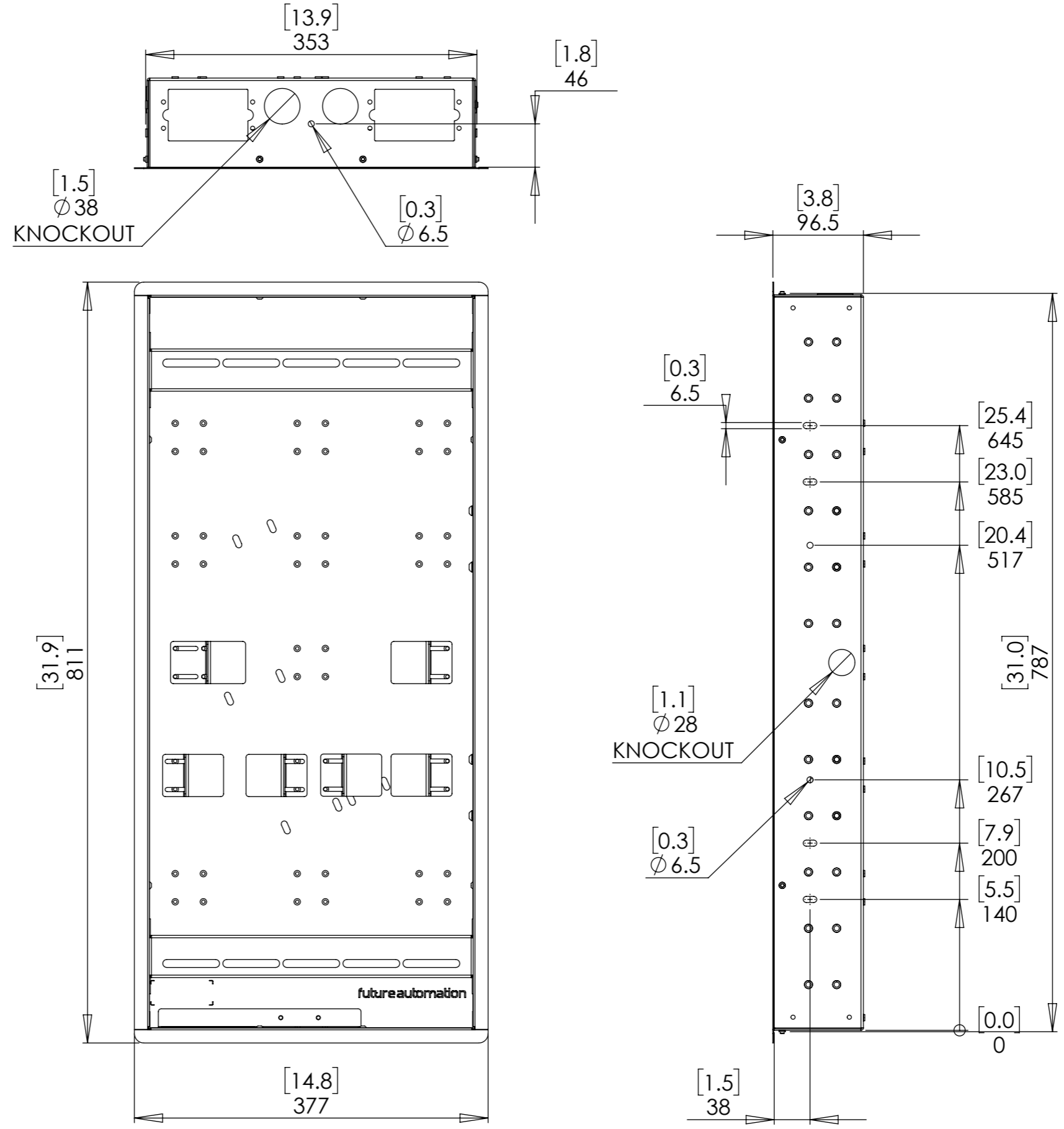
SPECIFICATION	MEASUREMENTS
Product Dimensions	787 x 353 x 96.5mm (31 x 14 x 3.8")
PS Bracket Compatibility	PS40, PS55, PS65
Packaging Dimensions	425 x 860 x 185mm (16.73 x 33.85 x 7.28")
Shipping Weight	8kg (18lbs)
Product Options / Features	Custom RAL paint finishes, WB21, WB26
Package Contents	1 x Wall box, 3 x Pairs of clamp brackets, 2 x PS bracket mount rails, 2 x Horizontal trim strips, 2 x Vertical trim strips, 1 x WattBox mount bracket set
Marine Suitable	No

WB31 WALL BOX 31

DIMENSIONS

Contents include:

- 1 x Wall box
- 3 x Pairs of clamp brackets
- 2 x PS bracket mount rails
- 2 x Horizontal trim strips
- 2 x Vertical trim strips
- 1 x WattBox mount bracket set



WB31

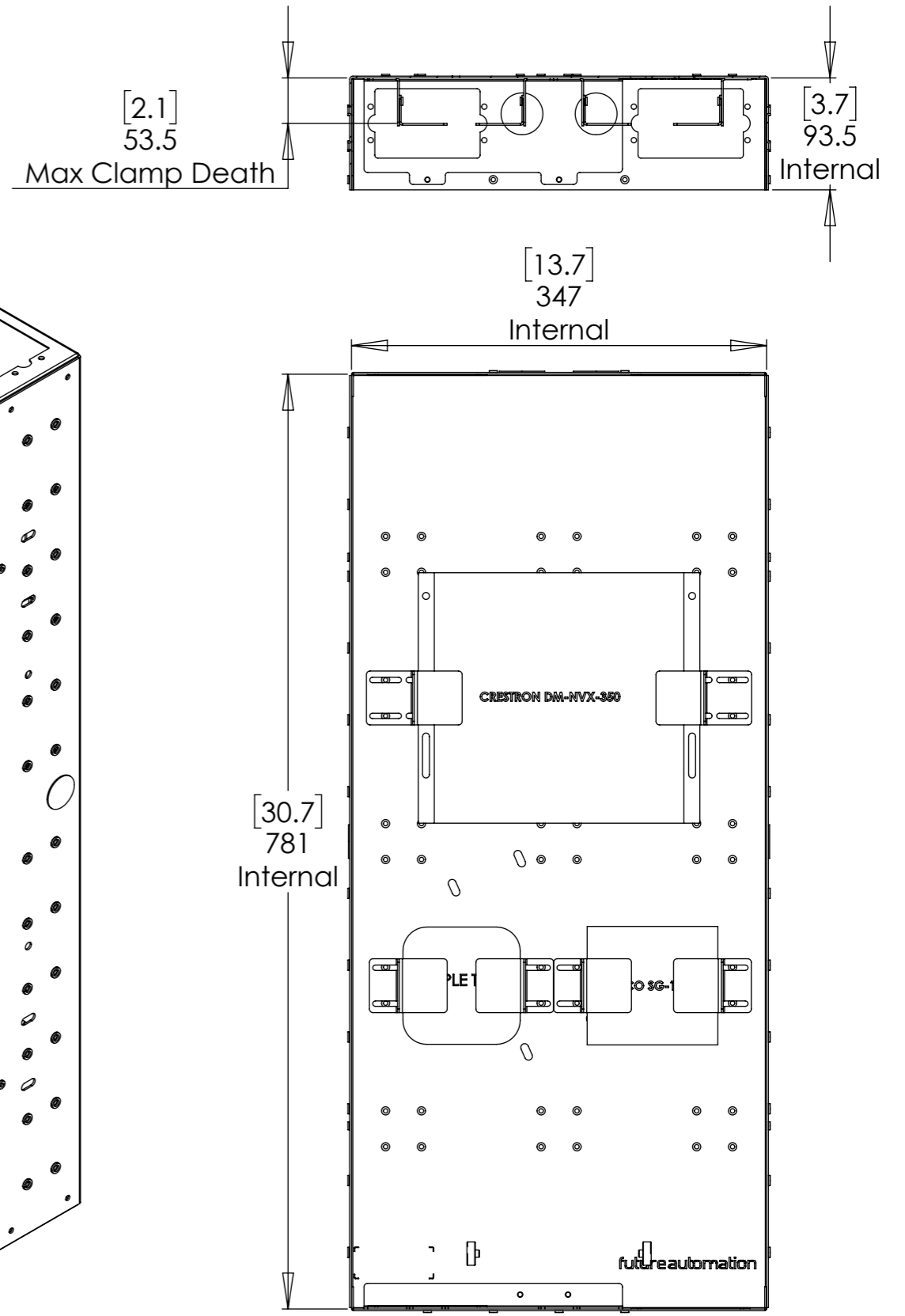
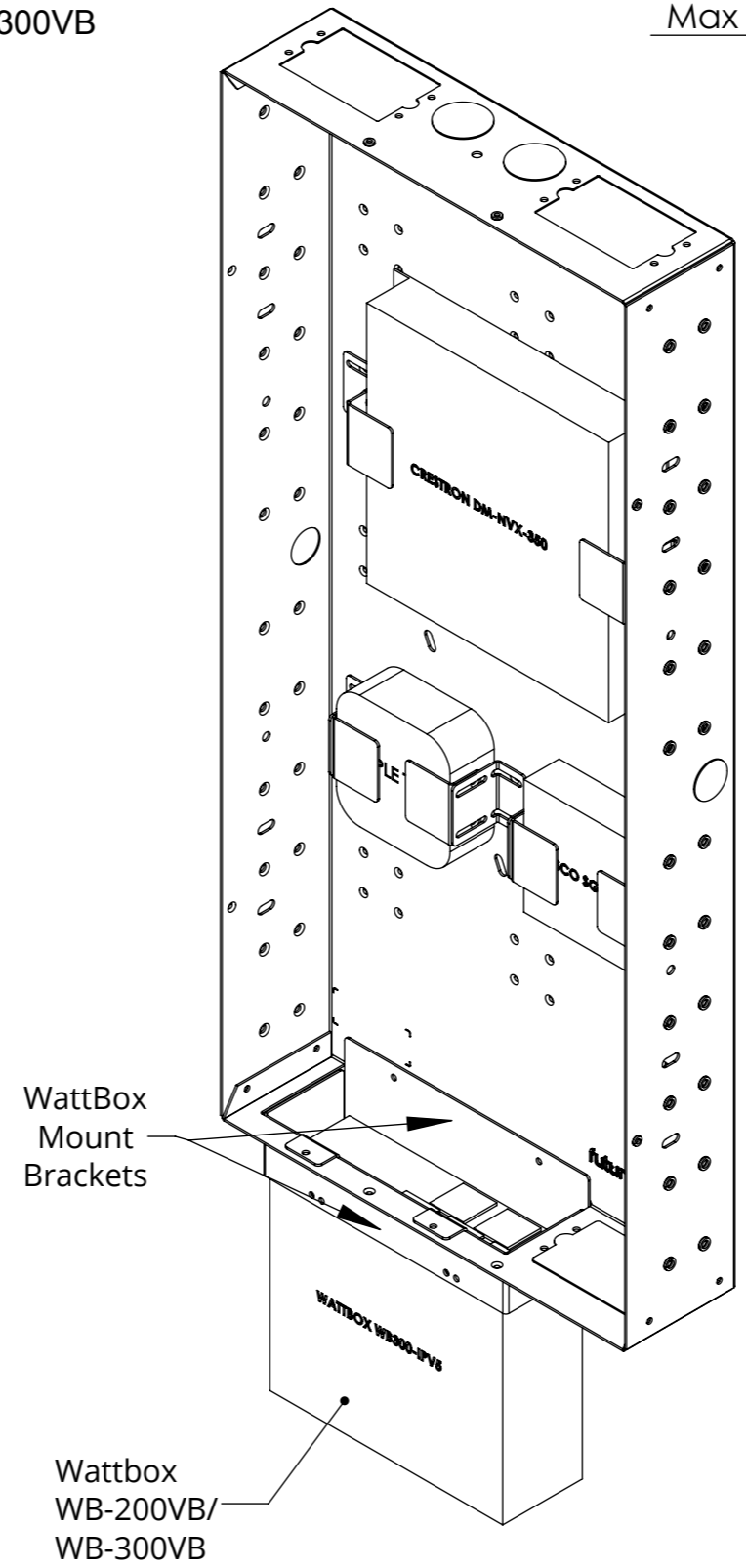
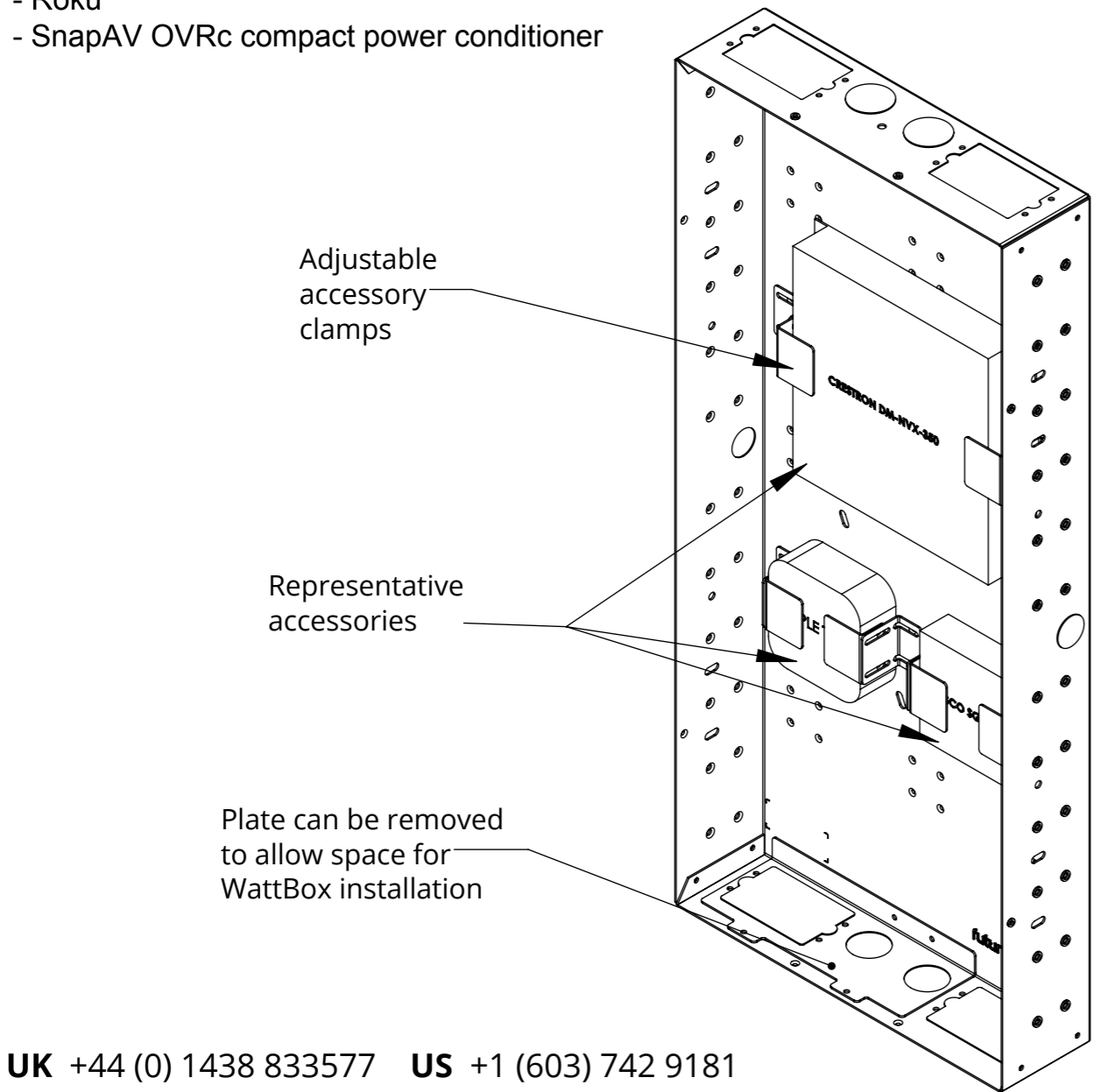
WALL BOX 31

ACCESSORY MOUNTING FEATURES

The WB 31 features adjustable accessory clamps and a large mounting space that means it is perfectly suited to a wide variety of AV accessories.

The removable plate and provided mounting brackets allow the WattBox WB-200/300VB to be mounted into the lower face of any size Wall Box.

- These include:
- Samsung One Connect
 - Power conditioners e.g BlueBolt SM-3 Pro
 - Baluns
 - Small audio converters
 - Apple TV
 - Roku
 - SnapAV OVRc compact power conditioner

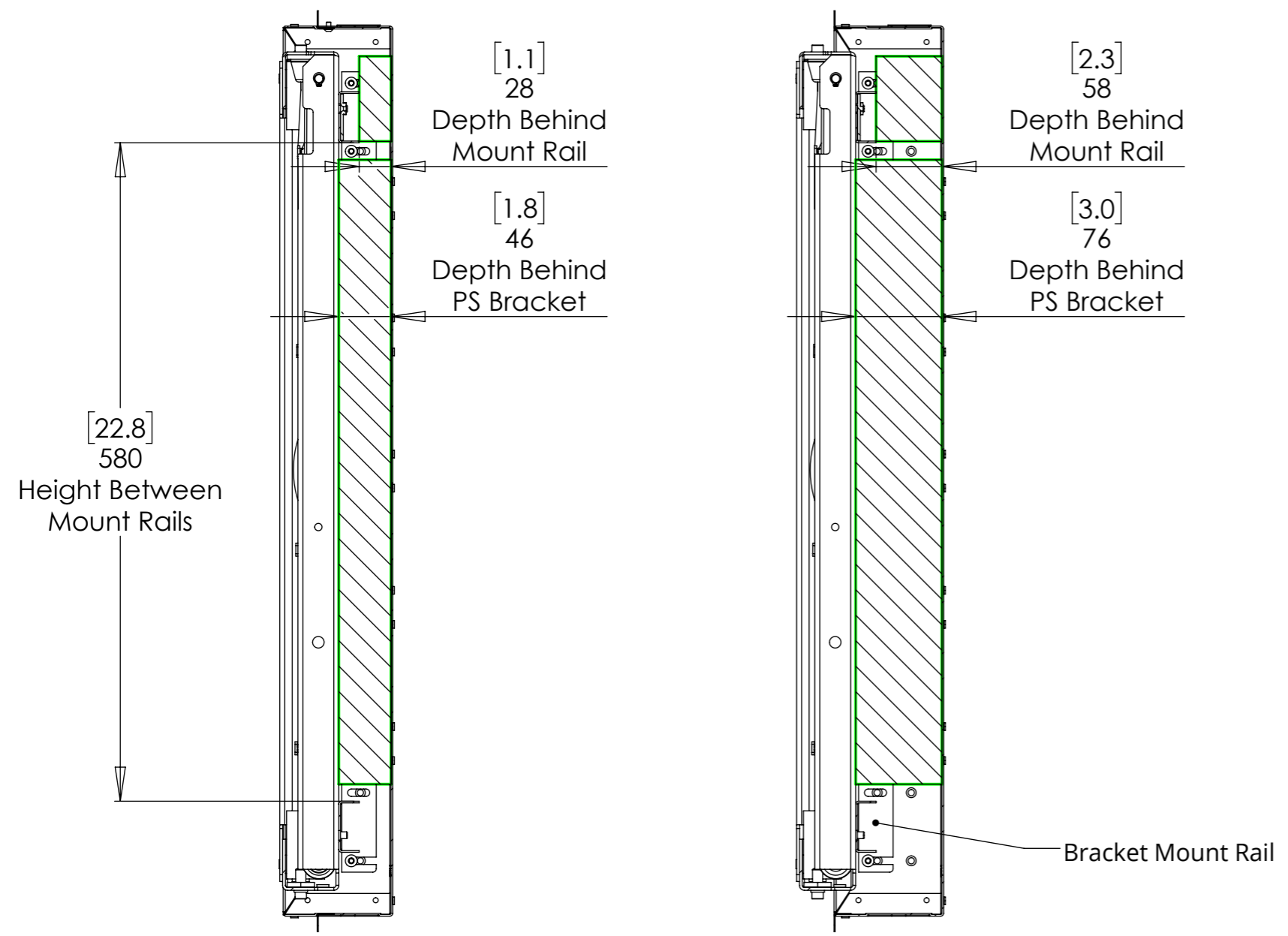


WB31 WALL BOX 31

PS BRACKET INSTALLATION FEATURES

Depth Adjustment

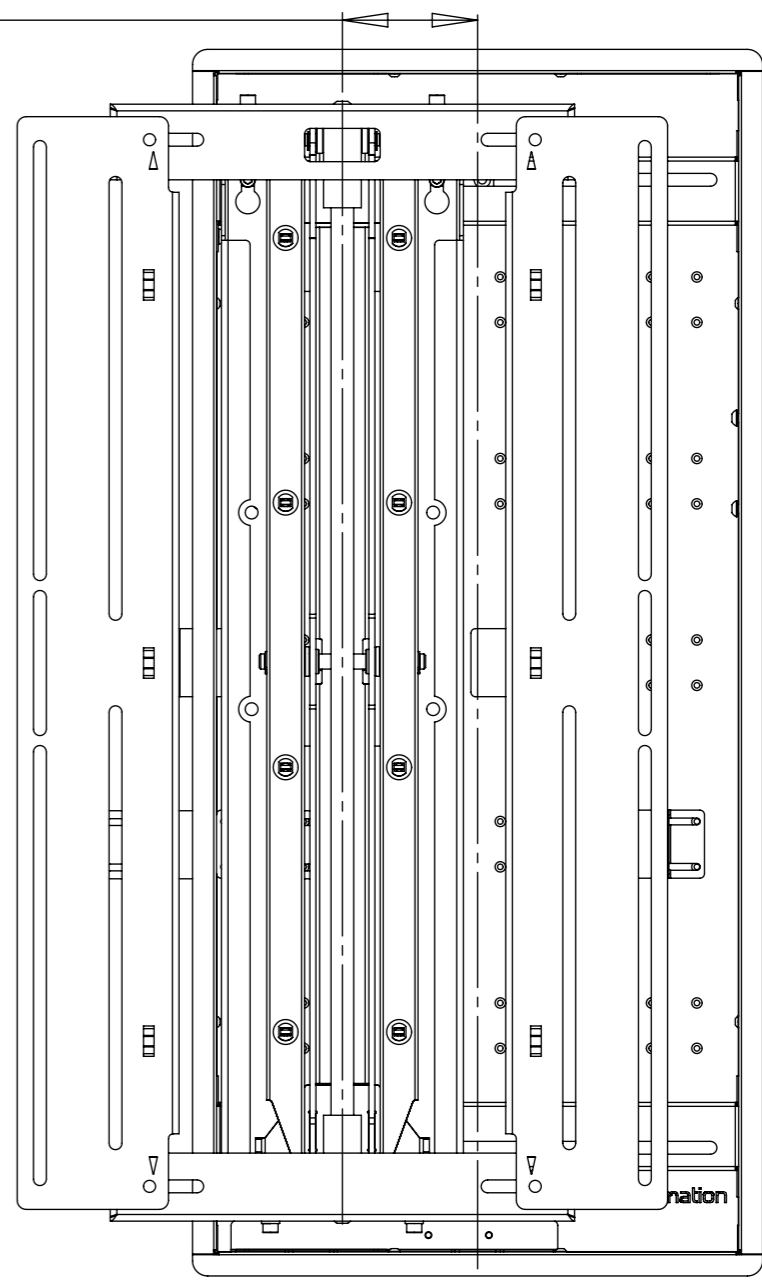
The bracket mount rail has two fixing positions that allow the space behind the PS bracket to be increased or decreased as desired to accommodate accessories.



Lateral Adjustment

The bracket mount rail has slots on the front face to allow the PS bracket to shift laterally so that its location relative to the studs can be fine tuned.

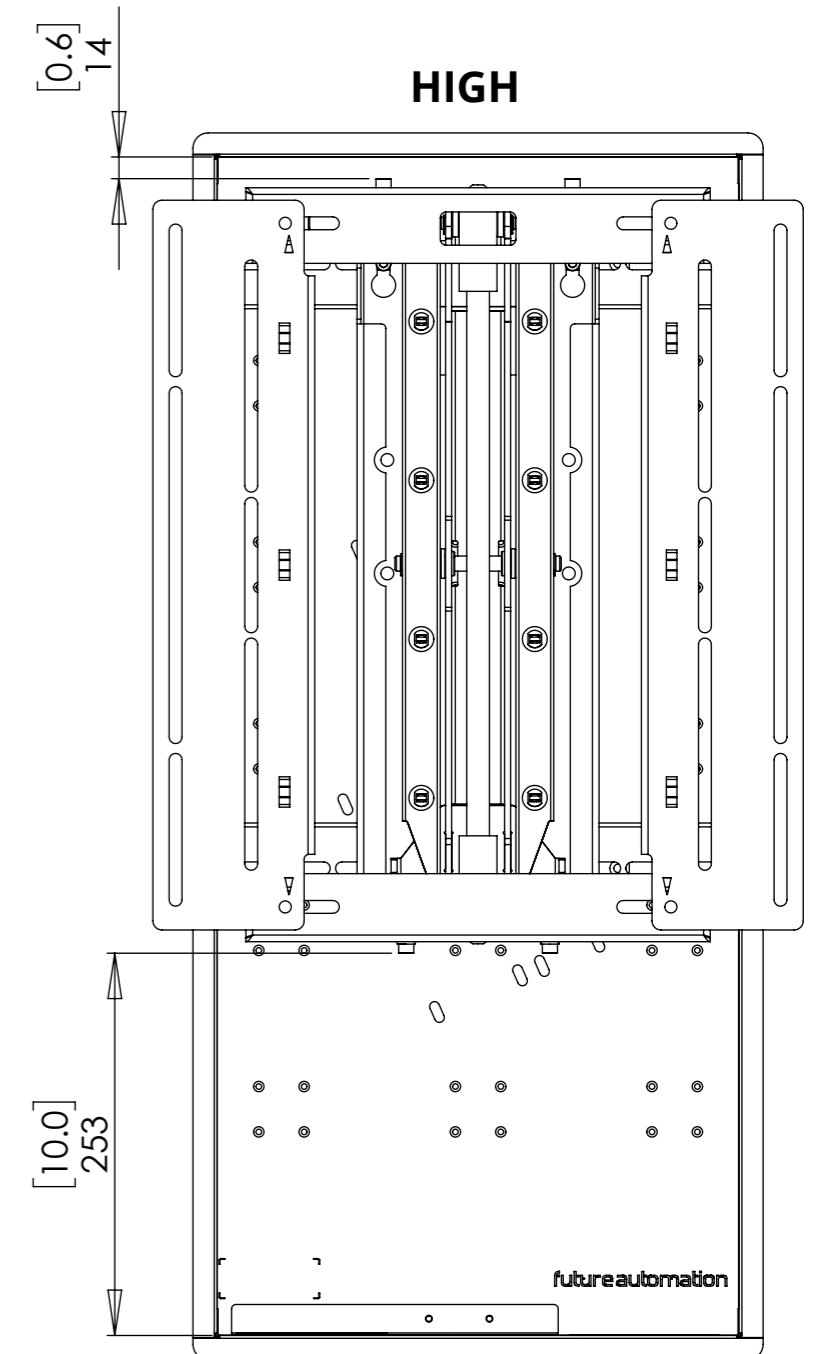
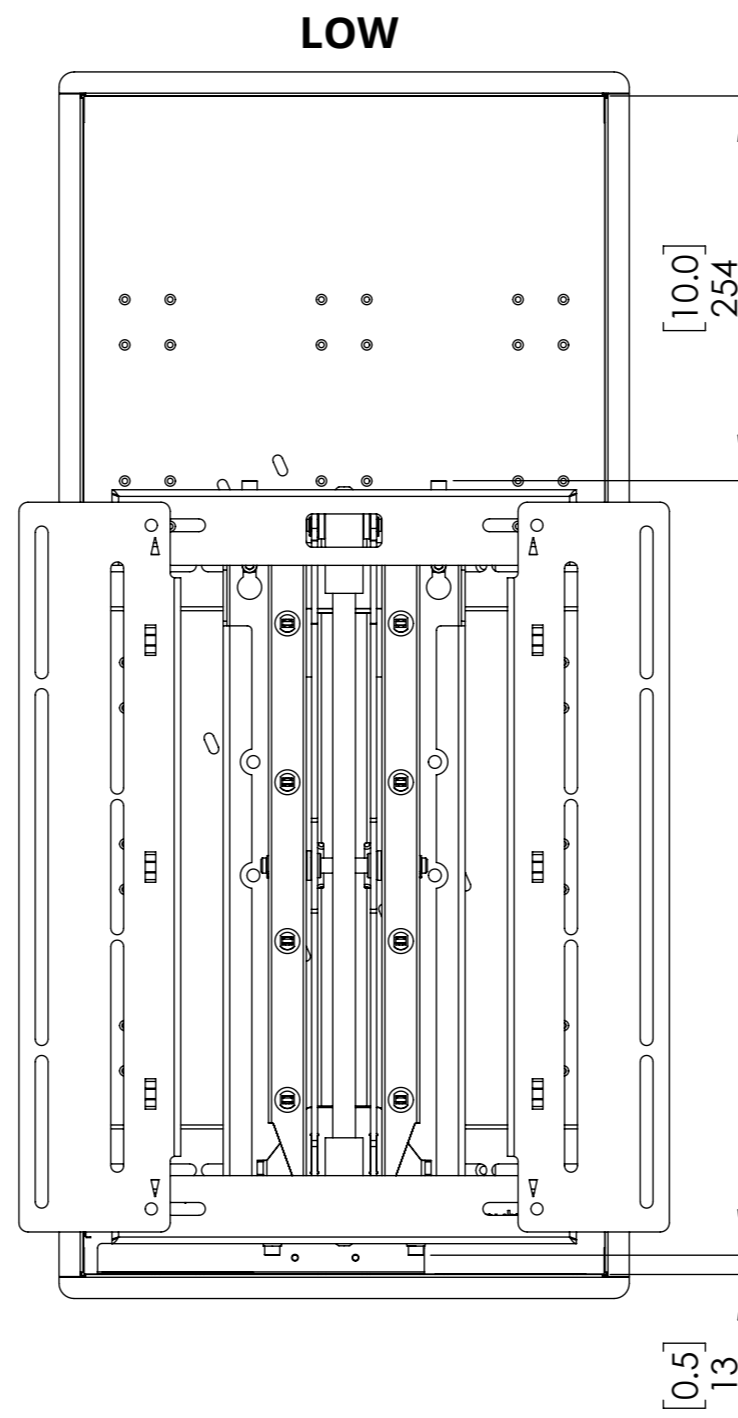
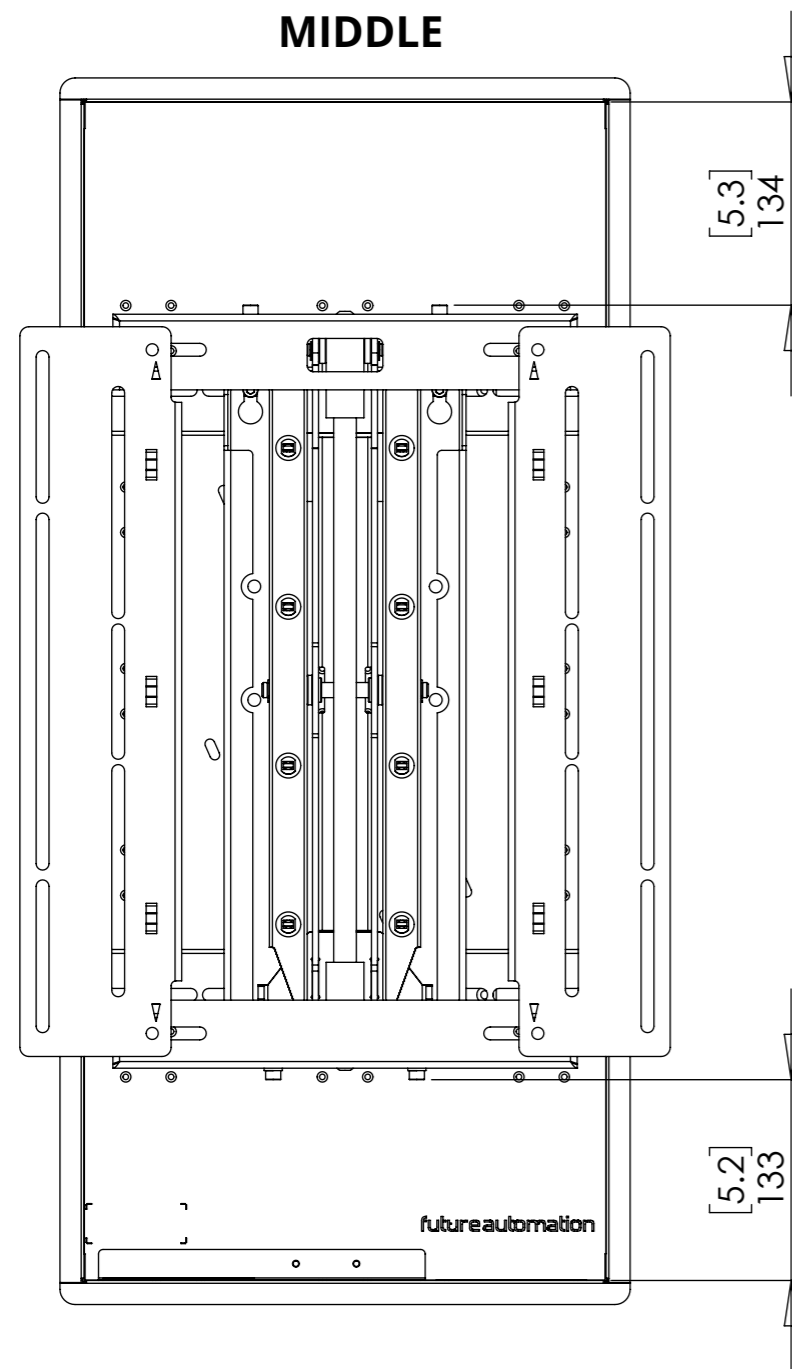
[3.5] 89
Maximum Either Side



WB31 WALL BOX 31

PS40 BRACKET MOUNTING

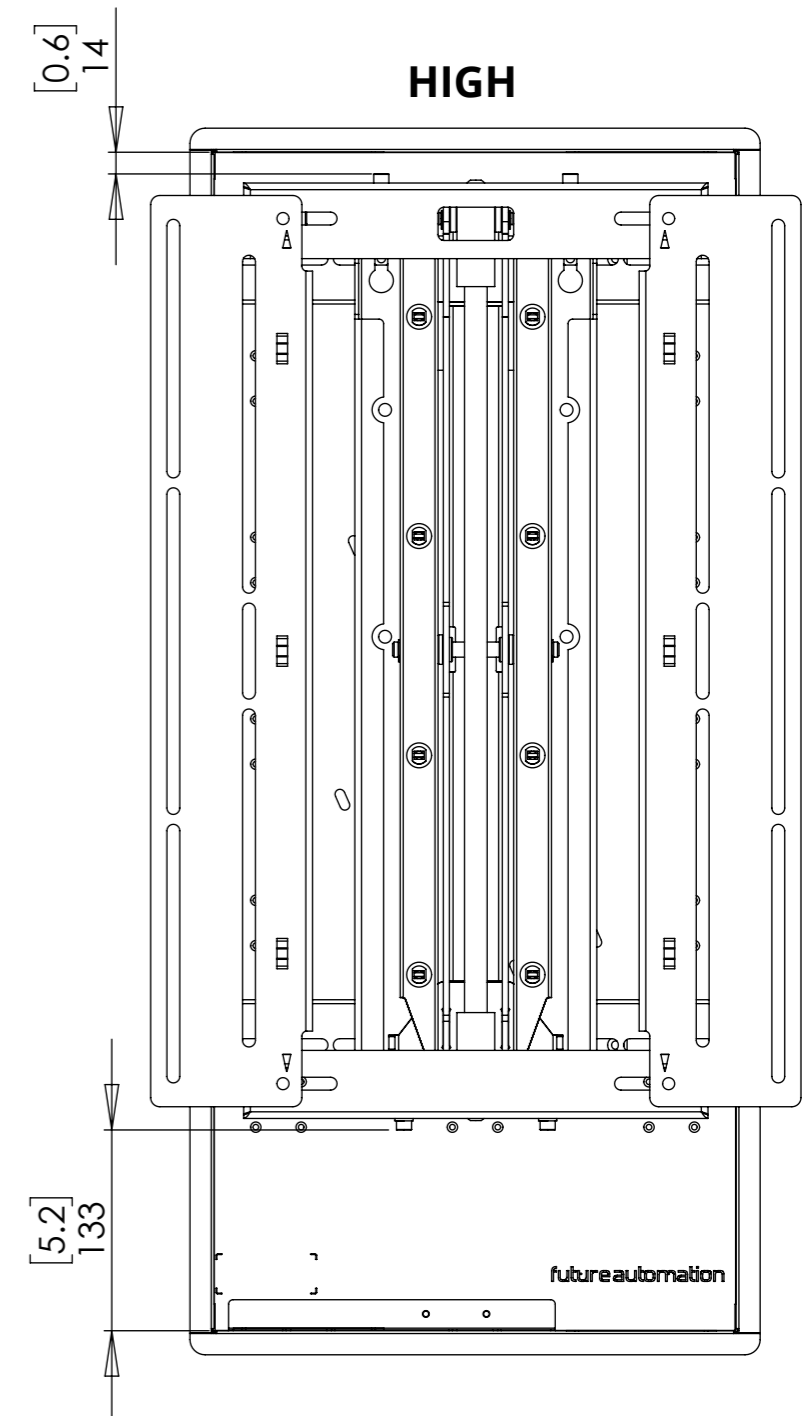
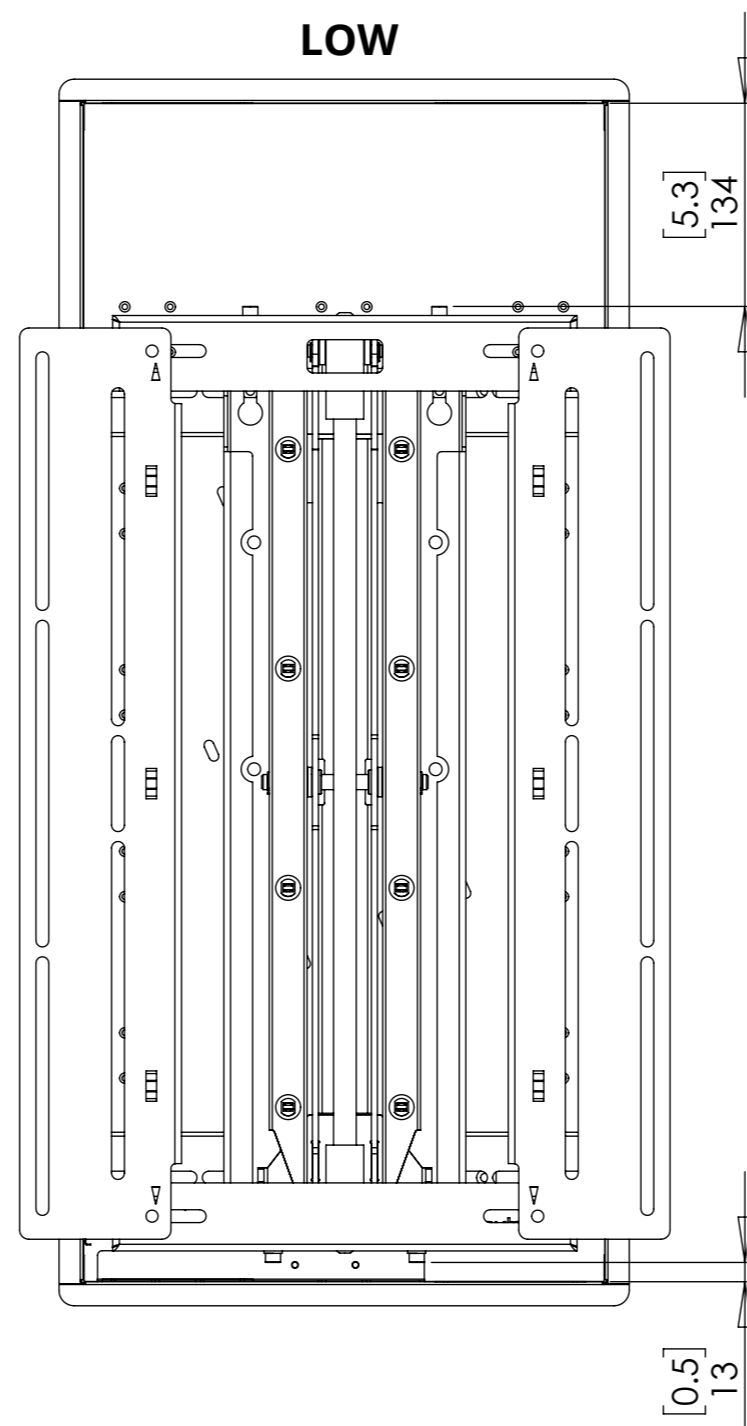
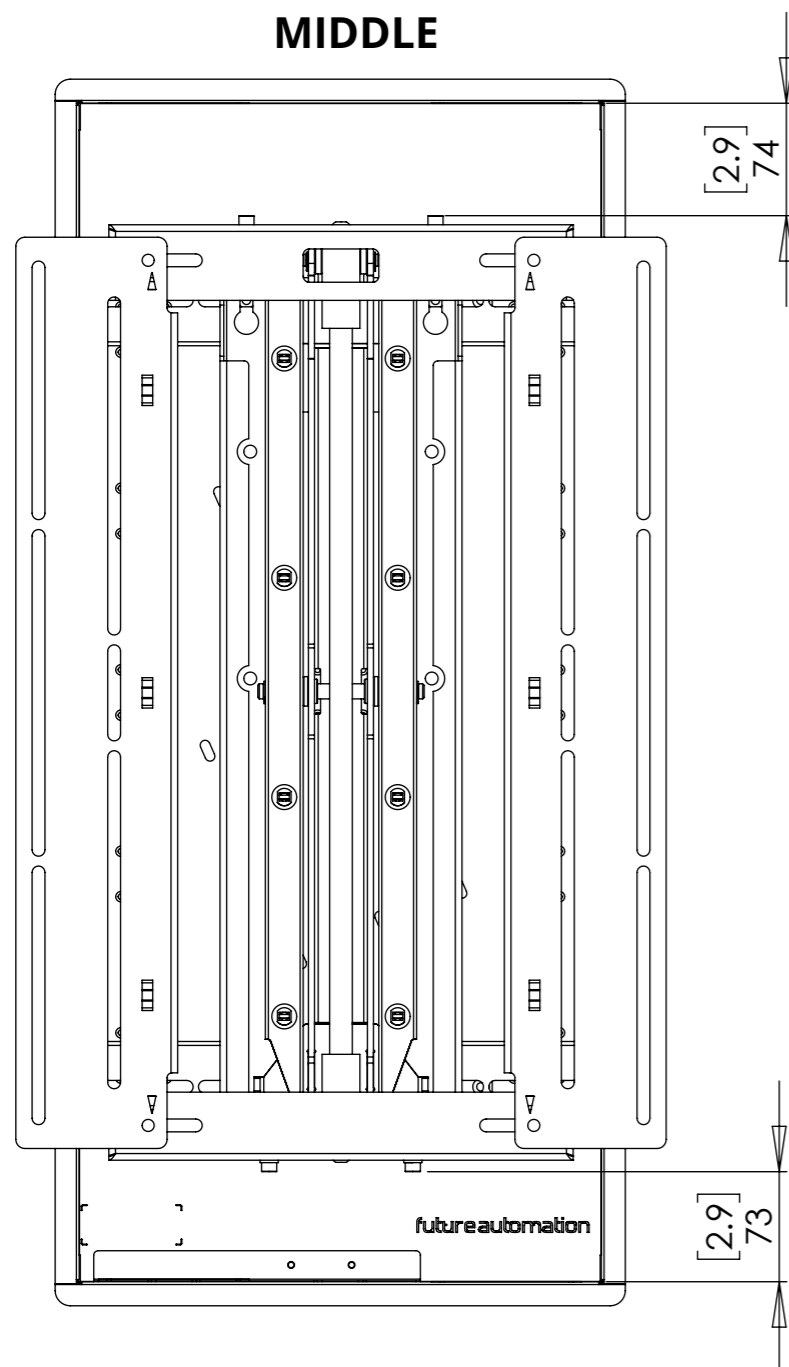
The PS40 can be mounted in 3 different vertical positions within the wall box as desired to allow more room for accessories.



WB31 WALL BOX 31

PS55 BRACKET MOUNTING

The PS55 can be mounted in 3 different vertical positions within the wall box as desired to allow more room for accessories.



WB31 WALL BOX 31



future automation

PS65 BRACKET MOUNTING

The PS65 has one central mounting position within the WB31 wall box.

