

Fireco

Compliance Made Easy

Dorgard™ Fire Door Retainer



Technical Information

Dorgard is a wireless fire door retainer which allows you to keep your fire doors open.

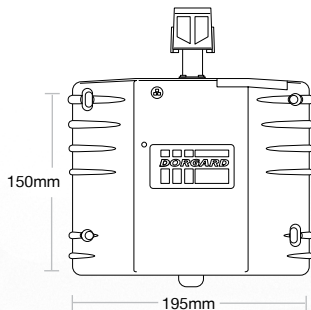
Dorgard enables the door to automatically close on the sound of the alarm. A closed fire door prevents the spread of fire.

EN1155 3 5 3 to 7 1 1 0

Specification Overview

Power Size	EN7
Max Weight of Door	160 Kg
Max Width of Door	1600mm
Fire Rating	60 Minutes
Hold open	Any Angle
Timed Daily Release	Yes (User settable)
Audible Warning	Yes
Power Supply	2 x 1.5V C size batteries
Battery Life	24 Months
Casing	ABS Plastic
Colours	Black, Red, White, Brown
Part Number	DG2000

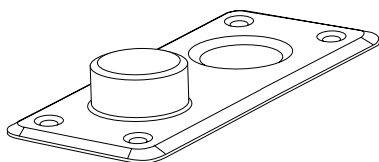
Product Dimensions



- Overall Height 205mm
- Casing Height 150mm
- Width 195mm
- Depth 45mm
- Weight : 700g

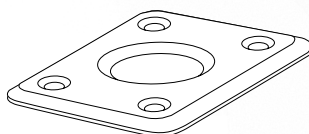
Additional Extras

- Floor plate bump stop
- Floor Plate flush
- Supplied with every Dorgard



Bump Stop Floor Plate

Weight	62.2g
Length	150mm
Width	77.5mm
Bump Stop Height	27mm
Height	3.5mm
Part Number	DG2610



Flush Floor Plate

Weight	19.4g
Length	77.5mm
Width	63.5mm
Height	3.5mm
Part Number	DG2610-flat

Designed for use in areas with slippery floors.