

FITTING INSTRUCTIONS
PLEASE READ CAREFULLY
BEFORE ASSEMBLY AND FIXING
TRANSOM MOUNT PULL SIDE



ARROW ARCHITECTURAL
 Tything Road
 Alcester
 B496ES

14

1121-CPR-AD0191

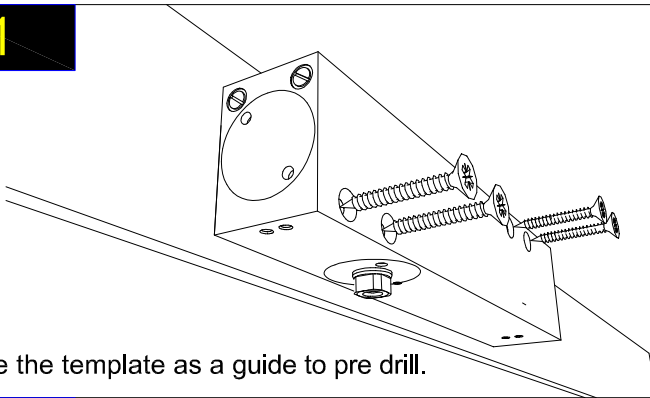
EN1154:1996/A1:2002/AC:2006

3 8 1 1 1 3



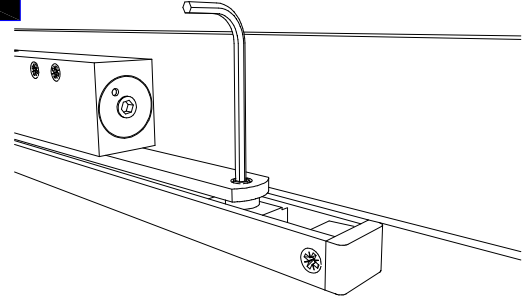
APPROVED PRODUCT
 CF 5038

1



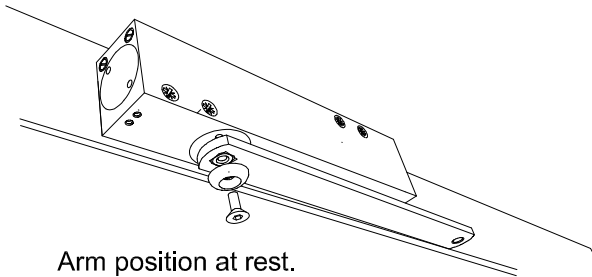
Use the template as a guide to pre drill.

5



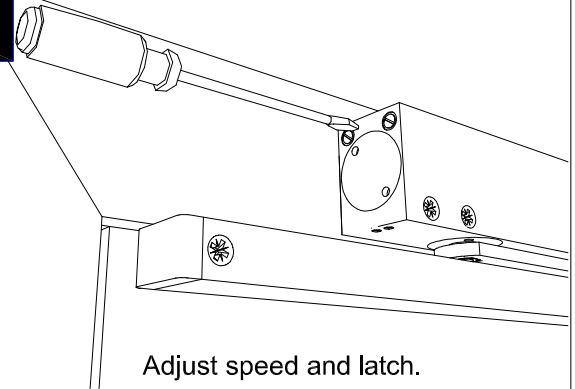
Pre load the arm until the thread in the arm is in line with the thread on the rivet, insert your 5mm hex key through the threaded hole in the arm and into the rivet and tighten in an anti-clockwise action.

2



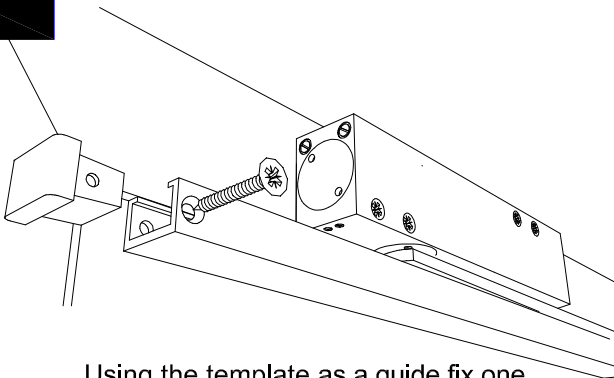
Arm position at rest.

6



Adjust speed and latch.

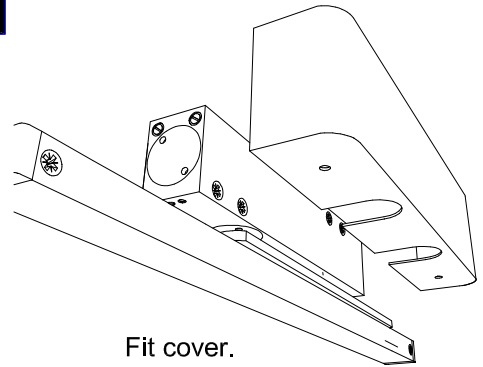
3



Using the template as a guide fix one end of the track(end cap then screw).

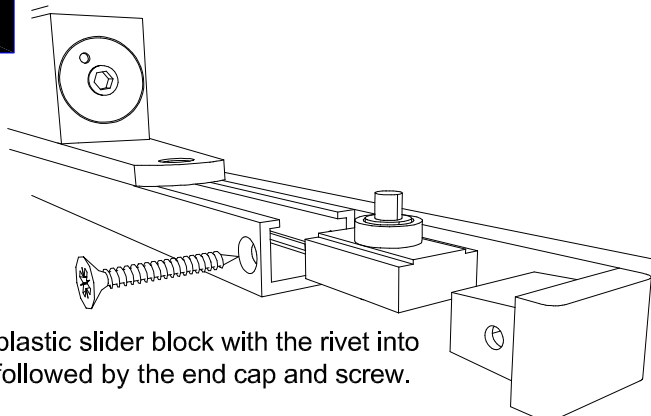
THE TRACK MUST BE FITTED TO THE DOOR FRAME, NOT ON THE ARCHITRAVE. DOOR AND FRAME MUST BE FLUSH.

7



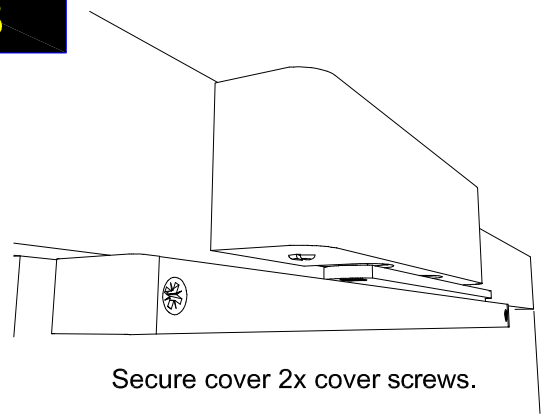
Fit cover.

4



Slide the plastic slider block with the rivet into the track followed by the end cap and screw.

8



Secure cover 2x cover screws.

ENSURE THAT BOTH THE BODY AND TRACK ARE LEVEL
(USE A SPIRIT LEVEL) ENSURE THAT THEY ARE PARALLEL.

FITTING INSTRUCTIONS
PLEASE READ CAREFULLY
BEFORE ASSEMBLY AND FIXING
PULL SIDE(FIG.1)

CE	ARROW ARCHITECTURAL	14
	Tything Road Alcester B496ES	
1121-CPR-AD0191	EN1154:1996/A1:2002/AC:2006	
3 8 4 1 1 3		



APPROVED PRODUCT
CF 5038

1

Use the template as a guide to pre drill.

2

Arm position at rest.

3

Using the template as a guide fix one end of the track(end cap then screw).

THE TRACK MUST BE FITTED TO THE DOOR FRAME, NOT ON THE ARCHITRAVE. DOOR AND FRAME MUST BE FLUSH.

4

Slide the plastic slider block with the rivet into the track followed by the end cap and screw.

5

Pre load the arm until the thread in the arm is inline with the thread on the rivet, insert your 5mm hex key through the threaded hole in the arm and into the rivet and tighten in an anti-clockwise action.

6

Adjust speed and latch.

7

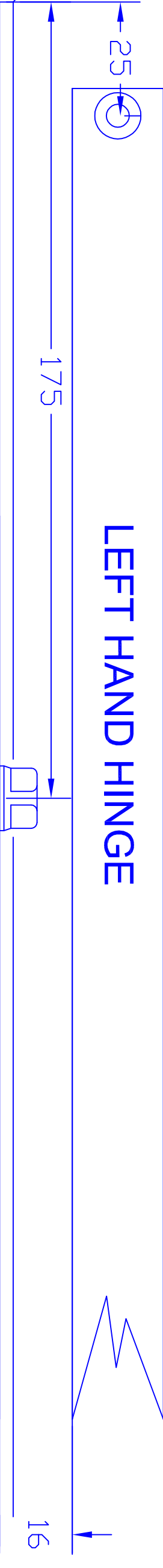
Fit cover.

8

Secure cover 2x cover screws.

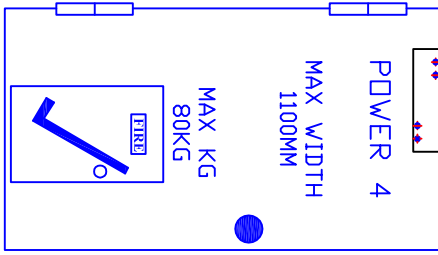
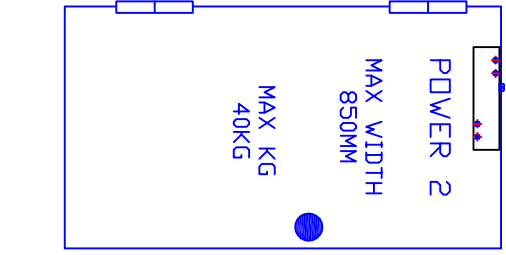
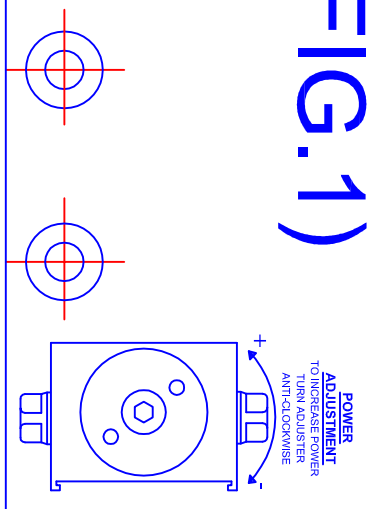
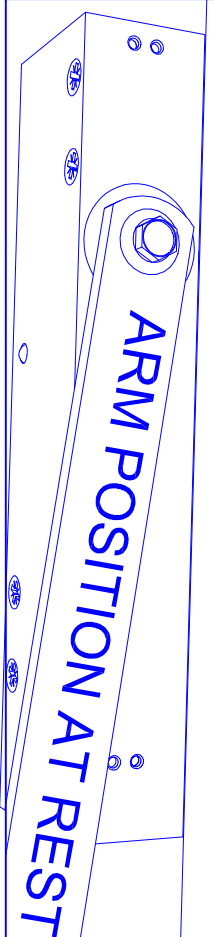


ENSURE THAT BOTH THE BODY AND TRACK ARE LEVEL (USE A SPIRIT LEVEL) ENSURE THAT THEY ARE PARALLEL.



LEFT HAND HINGE

PULL SIDE (FIG.1)



CAUTION:DO NOT UNSCREW ADJUSTERS MORE THAN 3 TURNS FROM FULLY CLOSED POSITION

FITTING TEMPLATE ONLY

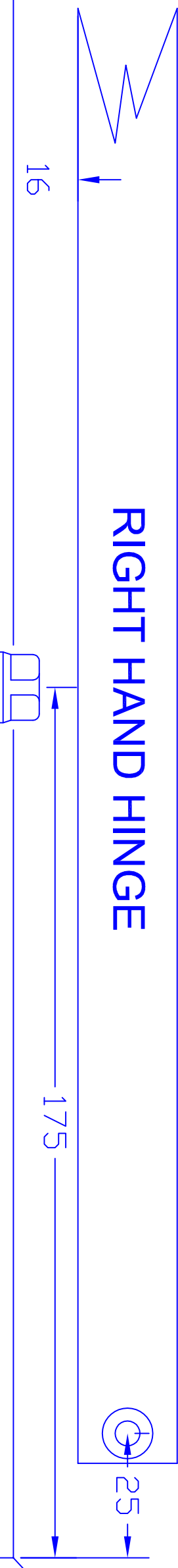
FITTING INSTRUCTIONS ON SEPARATE SHEET.

IMPORTANT NOTES

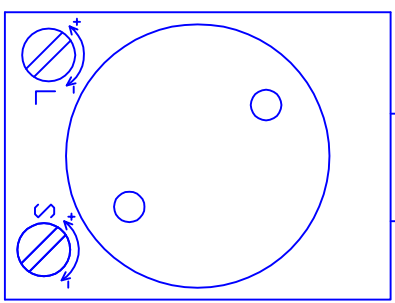
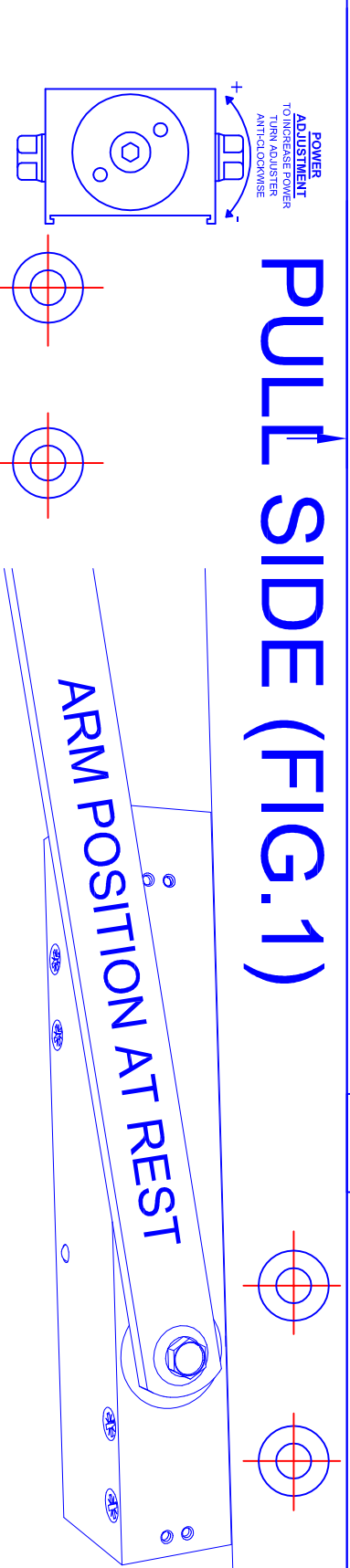
- 1/ THE FACE OF THE DOOR MUST BE FLUSH WITH THE DOOR FRAME.
- 2/ THE SLIDE TRACK MUST BE SECURELY FITTED TO THE DOOR FRAME DO NOT FIT ONTO THE ARCHITRAVE.
- 3/ THE CLOSER AND TRACK MUST BE LEVEL(USE A SPIRIT LEVEL)TO ENSURE THEY RUN PARALLEL.



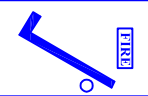
RIGHT HAND HINGE



PULL SIDE (FIG.1)



CAUTION:DO NOT UNSCREW ADJUSTERS MORE THAN 3 TURNS FROM FULLY CLOSED POSITION



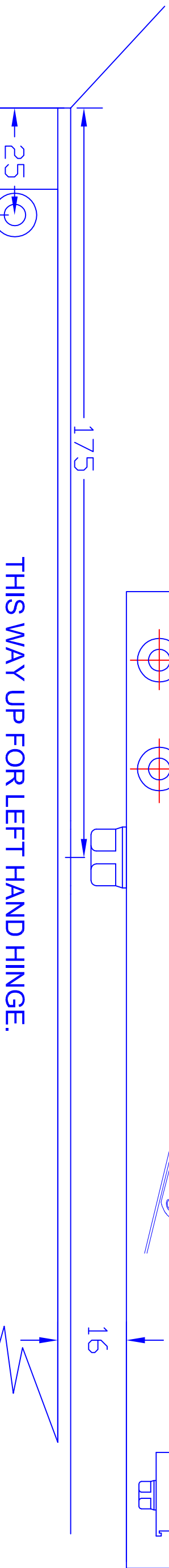
ARROW ARCHITECTURAL
 Tything Road
 Alcester
 B496ES

14
 1121-CPR-AD0191 EN1154:1996/A1:2002/AC:2006
 3811113

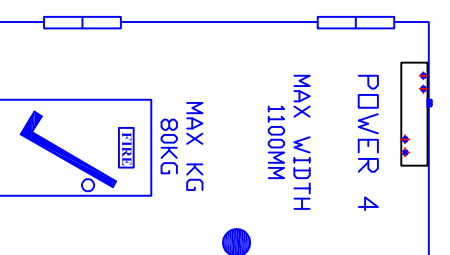
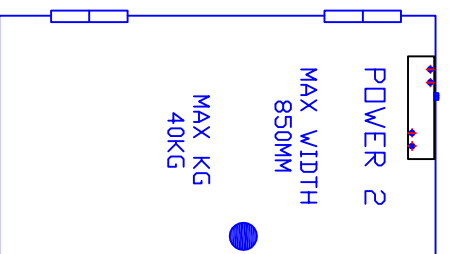
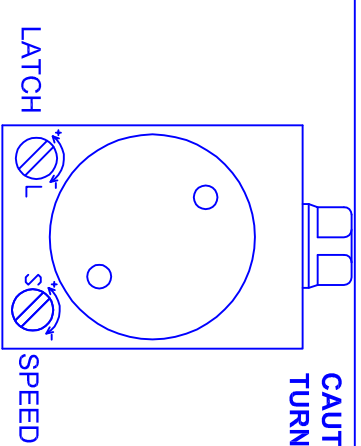
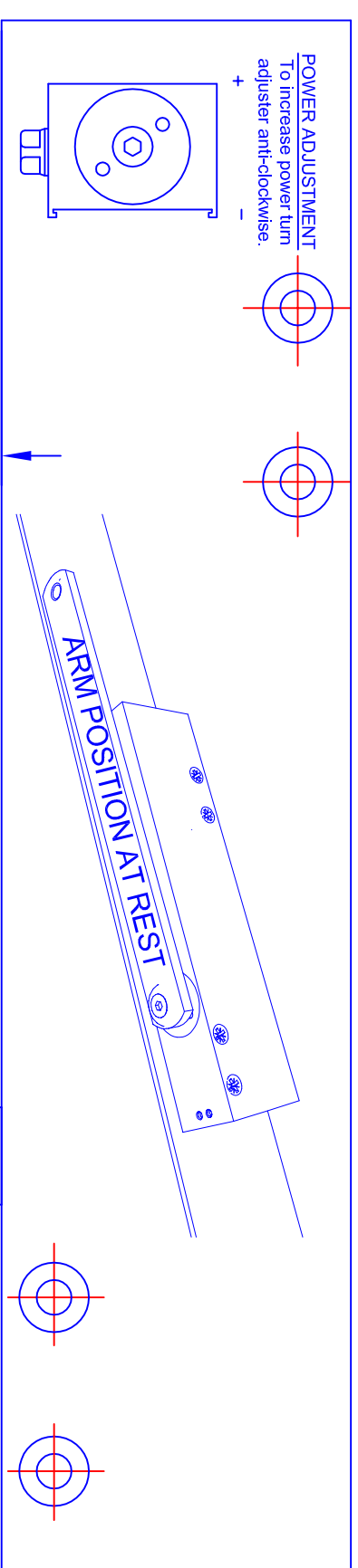
Max opening 120°

APPROVED PRODUCT
 CF 5038

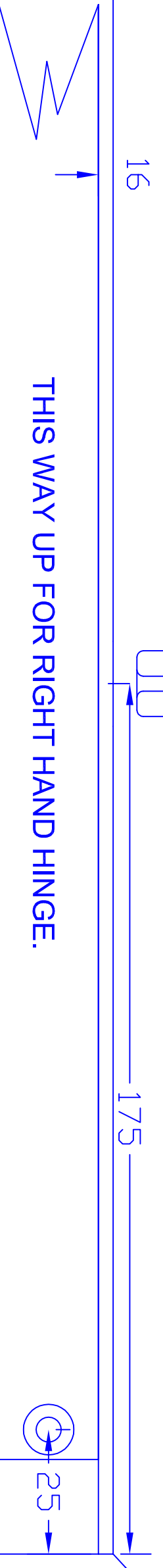
TRANSOM(PULL SIDE)



FITTING TEMPLATE ONLY FITTING INSTRUCTIONS ON SEPARATE SHEET.





CAUTION:DO NOT UNSCREW ADJUSTERS MORE THAN 3 TURNS FROM FULLY CLOSED POSITION



IMPORTANT NOTES

- 1/ THE FACE OF THE DOOR MUST BE FLUSH WITH THE DOOR FRAME.
- 2/ THE CLOSER MUST BE SECURELY FITTED TO THE DOOR FRAME DO NOT FIT ONTO THE ARCHITRAVE.
- 3/ THE CLOSER AND TRACK MUST BE LEVEL(USE A SPIRIT LEVEL) TO ENSURE THEY RUN PARALLEL.

D.O.P download available at www.arrow-architectural.com



ARROW ARCHITECTURAL
 Tything Road
 Alcester
 B496ES
 14
 1121-CPR-AD0191 EN154:1996/A1:2002/AC:2006
 3 8 3 1 1 1 3


APPROVED PRODUCT
 CF 5038

Max opening 120°