

6000
series

Heavy
Duty

UPVC
Models

6100
series



Fire Tested Models



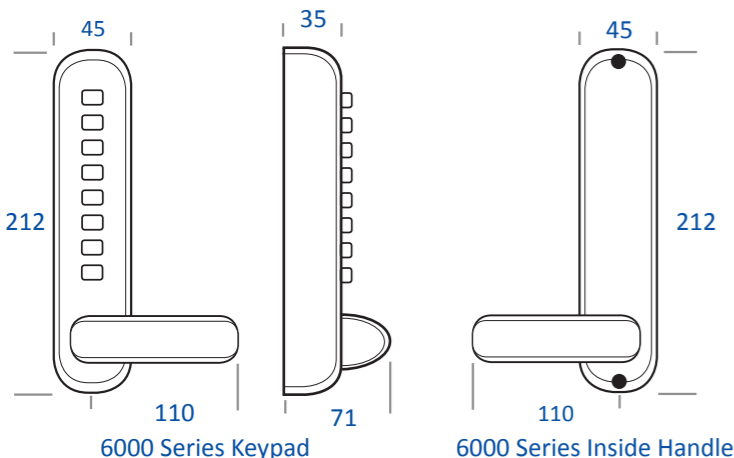
The BL6000 series is a new and unique coding system designed, engineered, manufactured and assembled in our factory. Incorporating a single column of 8 buttons, the 6000 offers a patented high security double button press-coded method of access control. Each digit can be set as a one or two button press and therefore the same digit can be set twice in the code.

With a body width of just 45mm the 6000 is primarily designed to be fitted onto narrow stile door sections be it PVC, aluminum, composite or wood. The free turning handle is permanently clutched to provide no handle resistance until the correct code is entered.

Features

- Patented double button press design allowing a greater level of security
- Over 2100 different code combinations
- 70° handle rotation ideal for multi-point locks
- Free turning handle until the correct code is entered
- No tumbler or pins to remove to change code
- 196mm fixing centres
- Optional Free Passage Function
- Narrow housing perfect for PVC, aluminium, composite or wood
- Tested to over 100,000 cycles
- Suitable for external applications

Available Finishes



The new 6000 Series is available in two main models; the BL6000M which is supplied with a separate escutcheon allowing it to work with a range of third party lockcases, latches as well as a large majority of multi-point locks.

The BL6100 model incorporates an extension plate fitted behind the keypad and inside handle making it suitable for use with 90 & 92mm centred multi-point locks and covers virtually all existing holes in the door.

The BL6100 offers a perfect retro-fit upgrade from a standard set of lever handles for PVC or composite doors; fitted using the existing fixing centres the unit can be adapted to suit a number of different locking centres.

Features

- Suitable for use with 90 & 92mm centre multi point locks
- 325mm extension plate fitted behind both keypad & inside handle to cover any existing holes
- 70° handle rotation ideal for multi-point locks
- Over 2100 different code combinations
- Free turning handle until the correct code is entered
- No tumbler or pins to remove to change code
- 195mm fixing centres
- Optional free passage Function
- Narrow housing perfect for PVC, aluminium, composite or wood
- Tested to over 100,000 cycles
- Suitable for external applications

Available Finishes

