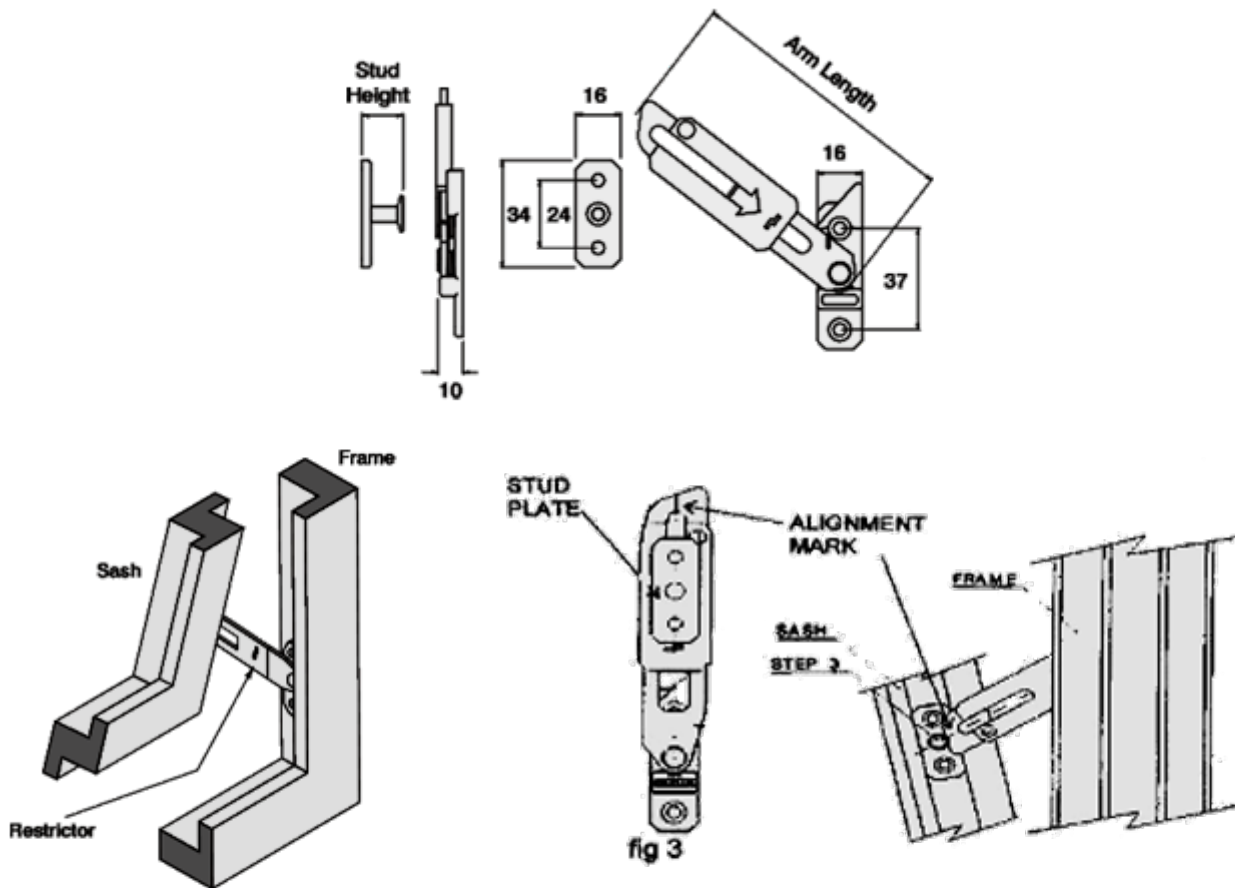


## RES-LOK - FITTING INSTRUCTIONS



### STEP 1

Select correct hand of RES-LOK to suit application (L. Hand shown).

### STEP 2

Fit RES-LOK to the frame using suitable screws and into re-enforcement where possible.  
*Note.* To give best access for un-latching, fit the RES-LOK towards the back of the frame.

### STEP 3

Position the stud plate on the sash  
*Note* The stud plate must be positioned so that it is inline with the RES-LOK when the window is closed (see fig 3) and the stud is inline with the alignment mark on the RES-LOK. Fit using suitable screws and into re-enforcement where possible.

### NOTE

On certain window profiles with deep locating ribs in the frame section, it may be necessary to locally remove a small section of these ribs to allow free movement of the stud into the frame.