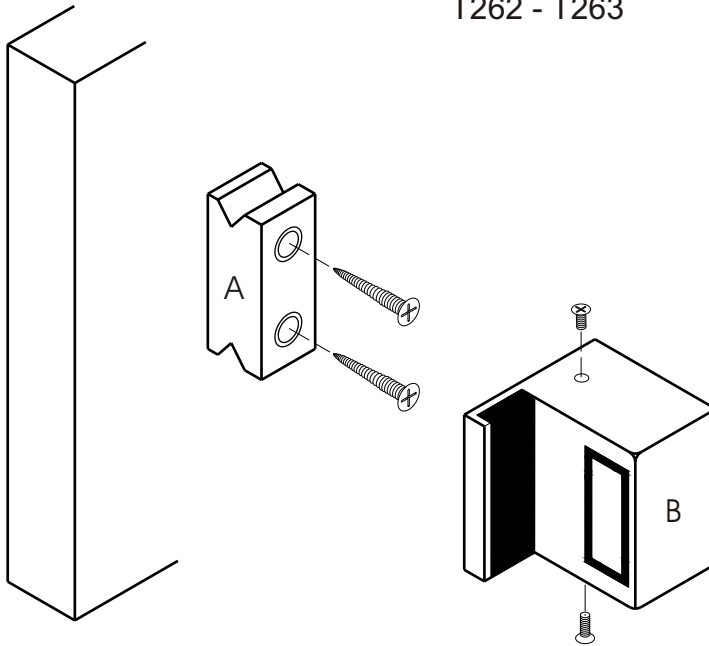




25mm Pilaster Overlap

Keeps instructions Rev1.04

T262 - T263





Fixings for 13mm Board
2 No. 25mm X No.9 ZP Woodscrews
1 No. 2.5mm Allen Key

Fixings for 20mm Board
2 No. 25mm X No.9 ZP Woodscrews
1 No. 2.5mm Allen Key

1. Remove grub screws from top and bottom of keep as shown and remove fixing block.
2. Screw fixing block 'A' to pilaster with suitable screws as template.
3. Fix keep 'B' to fixing block with grub screws.

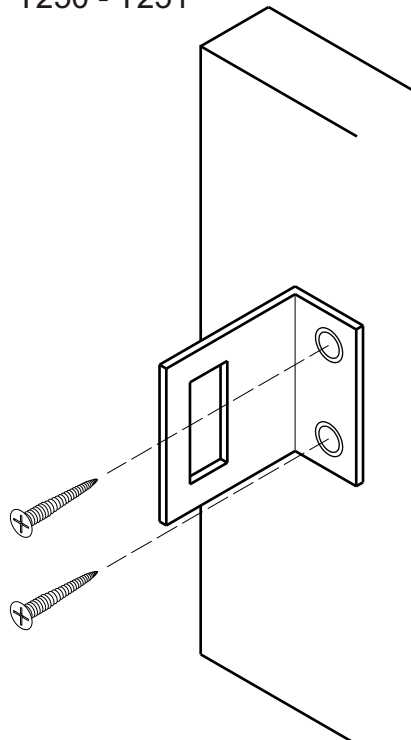
Page 2 for template

T250 - T251



Fixings for 13mm Board
2 No. 10mm X No.8 Undercut
CSK S/S Woodscrews

Fixings for 20mm Board
2 No. 16mm X No.8 Undercut
CSK S/S Woodscrews



1. Pilot holes as template.
2. Screw keep to pilaster with suitable screws.
3. Use with T950 8mm Rubber Buffers (2 No).

Page 2 for template

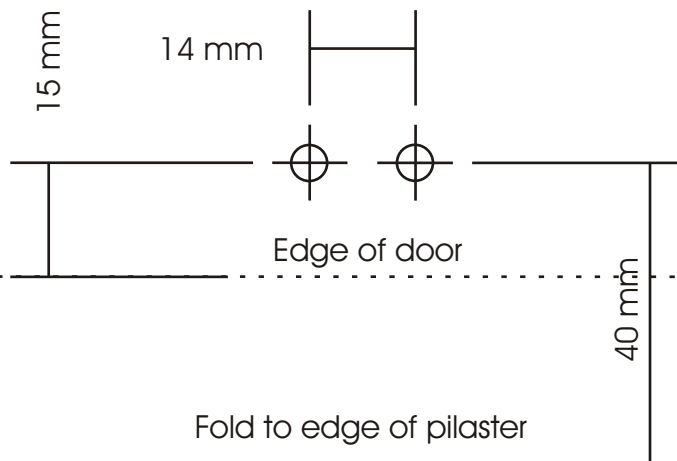


NOTE

Please check dimensions as shown on template as some printers stretch or shrink the template.

Place keep in position and check clearance **before** drilling pilot holes as any adjustment due to differing site dimensions and door overlap will need to be taken up here.

Template for T262 - T263



Template for T250 - T251

Fold to edge of pilaster

Edge of door

