

# Dual Finish 6-Pin Euro Cylinder



## HIGH SECURITY

6-pin mechanism on a universal profile with 30,000 differs. Certified to EN1303, Anti-Drill, Anti-Pick & Anti-Pull



## DUAL FINISH

Dual Finish Cylinder utilises both Nickel Plated & Polished Brass in a versatile design.



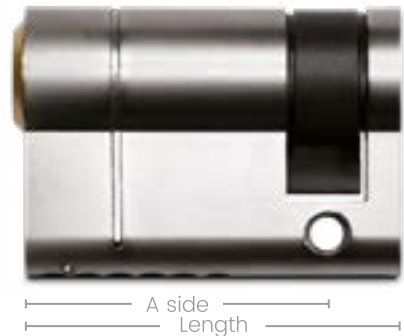
## SACRIFICIAL CUT

Sacrificial cut increases the level of security against snapping with a pre-determined break point.

KEY & KEY



HALF



KEY & TURN



## DESCRIPTION

The Asec Vital Dual Finish 6-Pin Euro Cylinder has a combined finish of a nickel plated body and a polished brass plug, this gives you a stylish yet cost effective cylinder that is suitable for use in both nickel and brass applications. These cylinders are drill, pick and pull resistant and have a sacrificial cut that increases the level of security against snapping with a predetermined break point.

## FEATURES

- Dual finish - Nickel Plated and Polished Brass
- Supplied with 3 keys
- Sacrificial cut
- 6-pin mechanism
- Range of sizes
- 30,000 differs
- Universal profile
- Anti-Drill, Anti-Pick and Anti-Pull



# Dual Finish 6-Pin Euro Cylinder

## KEY & KEY

CODE	A SIDE	B SIDE	LENGTH
VT10009	32MM	32MM	64MM
VT10010	32MM	37MM	69MM
VT10012	32MM	42MM	74MM
VT10015	32MM	47MM	79MM
VT10011	37MM	37MM	74MM
VT10013	37MM	42MM	79MM
VT10024	37MM	47MM	84MM
VT10017	37MM	52MM	89MM
VT10020	37MM	57MM	94MM
VT10014	42MM	42MM	84MM
VT10016	42MM	47MM	89MM
VT10019	42MM	52MM	94MM
VT10021	42MM	57MM	99MM
VT10023	42MM	62MM	104MM
VT10018	47MM	47MM	94MM
VT10022	47MM	52MM	99MM
VT10026	47MM	57MM	104MM
VT10027	47MM	62MM	109MM
VT10028	47MM	67MM	114MM
VT10025	52MM	52MM	104MM
VT10173	77MM	47MM	124MM

## HALF

CODE	A SIDE	B SIDE	LENGTH
VT10050	32MM	N/A	42MM
VT10051	37MM	N/A	47MM
VT10052	42MM	N/A	52MM
VT10053	47MM	N/A	57MM
VT10178	55MM	N/A	65MM
VT10179	60MM	N/A	70MM
VT10180	70MM	N/A	80MM

## KEY & TURN

CODE	A SIDE	B SIDE	LENGTH
VT10175	27MM	37MM T	74MM
VT10029	32MM	32MM T	64MM
VT10174	37MM	27MM T	74MM
VT10030	37MM	37MM T	74MM
VT10038	37MM	47MM T	84MM
VT10034	37MM	57MM T	94MM
VT10031	42MM	42MM T	84MM
VT10040	42MM	47MM T	89MM
VT10036	42MM	52MM T	94MM
VT10042	42MM	57MM T	99MM
VT10032	42MM	62MM T	104MM
VT10176	42MM	72MM T	124MM
VT10039	47MM	37MM T	84MM
VT10041	47MM	42MM T	89MM
VT10044	47MM	47MM T	94MM
VT10045	47MM	52MM T	99MM
VT10047	47MM	57MM T	104MM
VT10037	52MM	42MM T	94MM
VT10046	52MM	47MM T	99MM
VT10049	52MM	52MM T	104MM
VT10035	57MM	37MM T	94MM
VT10043	57MM	42MM T	99MM
VT10048	57MM	47MM T	104MM
VT10033	62MM	42MM T	104MM
VT10177	72MM	42MM T	124MM

## KEY BLANK

CODE	DESCRIPTION
VT10054	VITAL 6 PIN GENUINE KEY BLANK

## PINNING KIT

CODE	DESCRIPTION
VT10162	TO SUIT ASEC VITAL EURO PROFILE CYLS ONLY