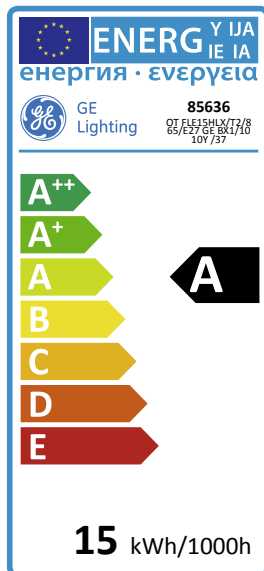




GE
Lighting



15
kWh/1000h

A
energy class

60
lumens/watt

Spiral T2 - 8,000 / 10,000 / 15,000 hours - upgraded design

OT FLE15HLX/T2/865/E27 GE BX1/10 10Y /37

85636

Product information

The T2 8,000 - 10,000 hours spiral lamps are one of the most popular bulb shapes in the energy saving category. With its small size, it will fit all applications currently using incandescent bulbs. Providing more light than the original stick lamps, spiral lamps are one of the most eco-friendly energy saving solutions available today.

Application areas



Home



Office



Product data

Cap/Base	E27
Bulb Shape	Heliax
Bulb maximum overall diameter [mm]	49.5
Nominal Length [mm]	107
Maximum Overall Length [mm]	107
Net weight per piece [g]	51
Gross weight per piece [g]	90
Operating position	Universal
Mercury Content [mg]	1.5
UV radiance	exempt
Regulatory comment	EUP related
Brand	General Electric (GE)

Performance data

Colour Code	865
Colour Rendering Index (CRI) [Ra]	82
Nominal correlated colour temperature (CCT) [K]	6500
Nominal lumens [lm]	900
Rated Lumens [lm]	900
Energy efficiency class (EEC)	A
Rated Life [h]	10000
Weighted energy consumption [kWh/1000h]	15

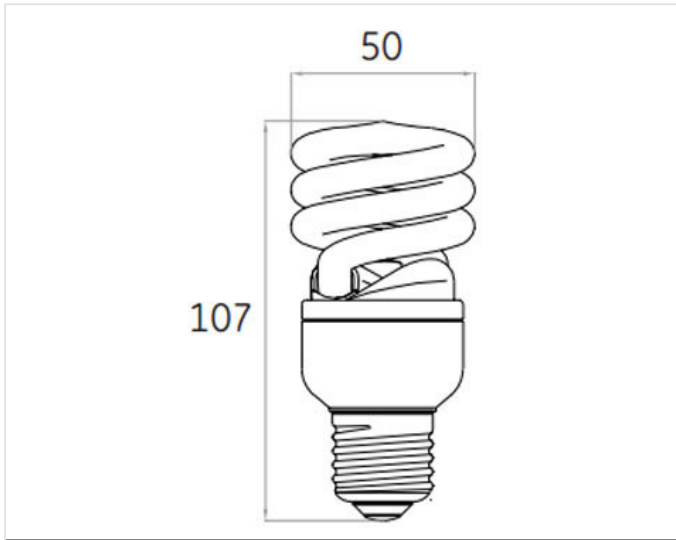
Electrical data

Nominal power [W]	15
Rated power [W]	15.0
Nominal lamp power factor	$\geq 0,55$
Nominal lamp voltage [V]	230
Operating Temperature [°C]	25
Operating Temperature (MAX) [°C]	50
Startup time [sec]	0.3
Run-up time (sec)	< 40
Starting time (sec)	$< 0,3$
Number of switching cycles	10000
Dimming Capability	No

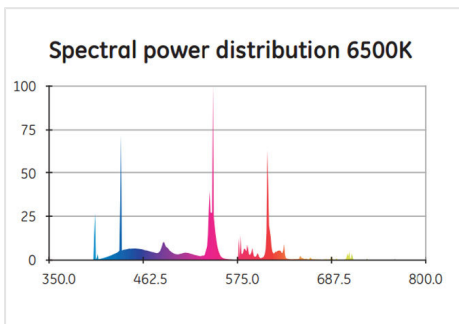
Logistic data

DUN Code	10043168856369
EAN Code	0043168856362
Pack Quantity	10
Inner pack type	BOX
Outer pack type	OUTER BOX
Layer quantity	250 EUR, 320 UK
Layer quantity EUR	250
Layer quantity UK	320
Pallet quantity EUR (PC)	2000
Pallet quantity UK (PC)	2560
Outer case size	300 x 125 x 132 (mm)
Product status	Available

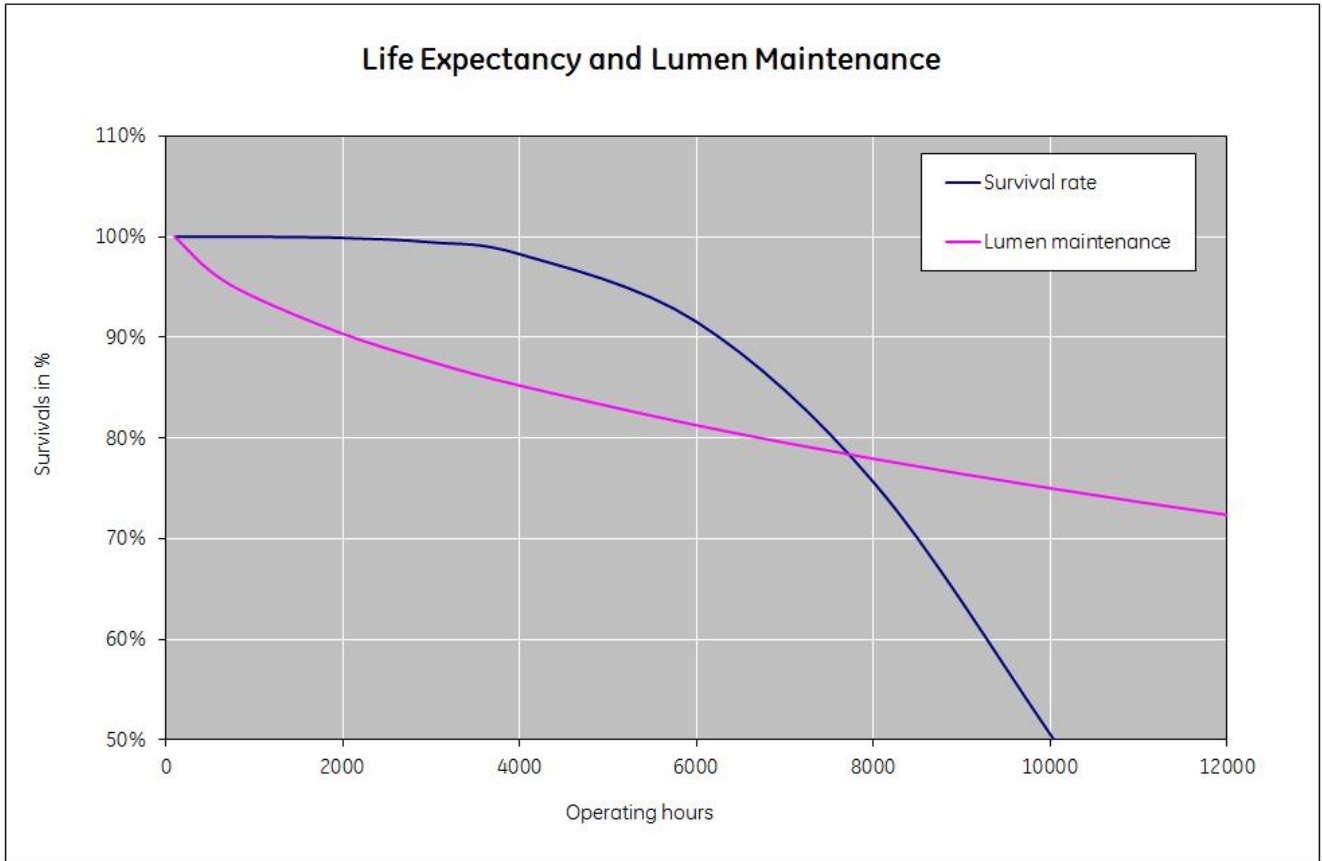
Technical drawing



Spectral distribution



Survival data



Downloads & Links

[Go to the catalog site \(HTTP\)](#)

[CFL Integrated Spectrum Catalogue \(PDF\)](#)

[T2 Spiral 8000/10000 Hours Datasheet \(PDF\)](#)

[Disposing and Cleaning of CFL Lamps \(HTTP\)](#)

[Lighting design tools & calculators \(HTTP\)](#)

[CFL Integrated Spectrum Catalogue \(PDF\)](#)

[Datasheets \(HTTP\)](#)

[Lighting design tools & calculators \(HTTP\)](#)

[Disposing and Cleaning of CFL Lamps \(HTTP\)](#)

[High-res images / Technical drawings \(HTTP\)](#)

[Certificate for the Quality Management System of GE Lighting EMEA \(PDF\)](#)

[Certificate for the Environmental Management System of GE Lighting EMEA \(PDF\)](#)