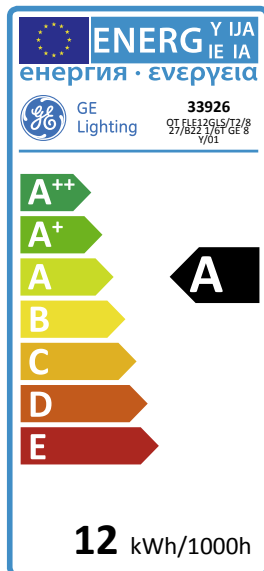




GE
Lighting



12
kWh/1000h

A
energy class

52
lumens/watt

GLS T2-T3 8,000 hours -
upgraded design

OT FLE12GLS/T2/827/B22 1/6T GE 8Y/01

33926

Product information

The 8,000 hours CFL GLS lamps offer traditional incandescent shape, long life and elegant light. Suitable for general home lighting, GE Lighting's Decor CFL range is an ideal and eco-friendly solution.

Application areas



Home



Office



Product data

Cap/Base	B22d
Bulb Shape	Helix w. GLS Lookalike
Bulb Diameter [mm]	55
Bulb maximum overall diameter [mm]	55
Nominal Length [mm]	106
Net weight per piece [g]	70
Gross weight per piece [g]	102
Operating position	U - Universal
Mercury Content [mg]	2
UV radiance	exempt
RoHS compliant	Yes
Regulatory comment	CE
Brand	General Electric (GE)

Performance data

Colour Code	827
Colour Rendering Index (CRI) [Ra]	82
Nominal correlated colour temperature (CCT) [K]	2700
Nominal lumens [lm]	625
Rated Lumens [lm]	625
Energy efficiency class (EEC)	A
Lamp Lumen Maintenance factor (2000 hours)	83
Lamp Lumen Maintenance factor (6000 hours)	70
Rated average life [h]	8000
Nominal life [h]	8000
Rated survival factor (6000 hours)	70
Weighted energy consumption [kWh/1000h]	12

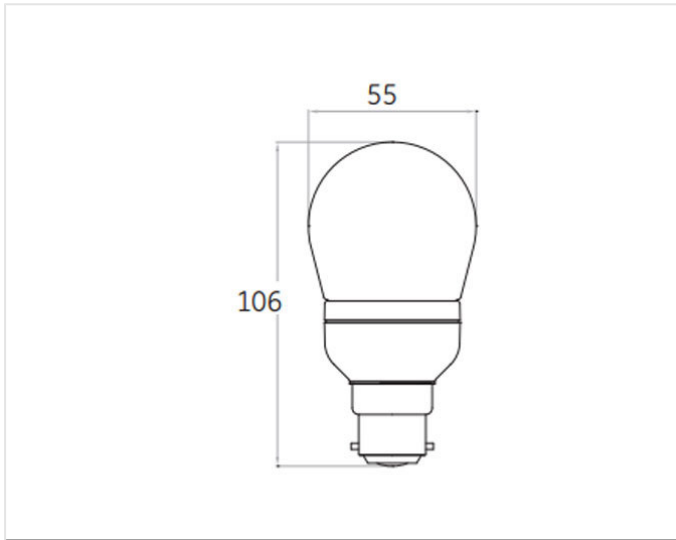
Electrical data

Nominal power [W]	12
Lamp Power	12
Nominal lamp power factor	=> 0,55
Nominal lamp voltage [V]	230
Lamp Current [A]	0.9
Operating Temperature (MAX) [°C]	50
Run-up time (sec)	<100
Starting time (sec)	1
Number of switching cycles	30000
Dimming Capability	No

Logistic data

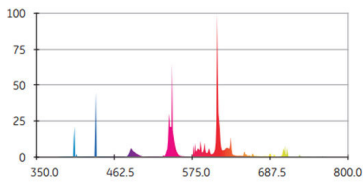
DUN Code	10043168339268
EAN Code	0043168339261
Pack Quantity	6
Inner pack type	BOX
Outer pack type	TRAY OUTER
Pallet quantity EUR (PC)	1728
Pallet quantity UK (PC)	2160
Outer case size	196 x 131 x 133 (mm)
Product status	Available

Technical drawing

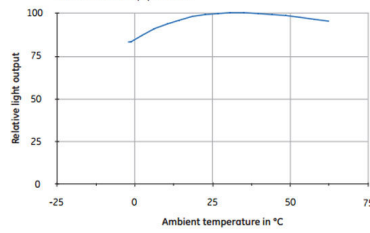


Spectral power distribution

Spectral Distribution 2700K

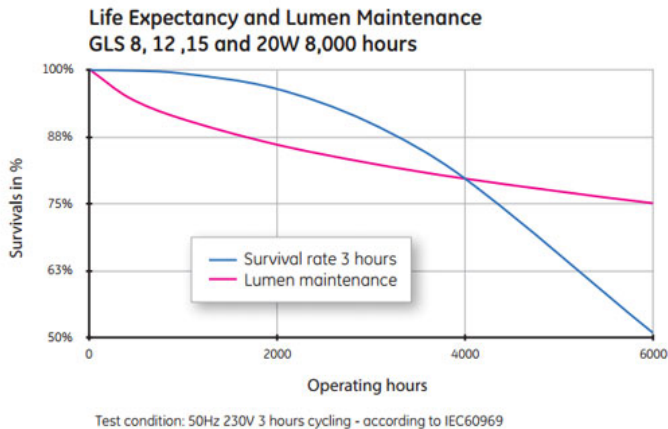


Light output vs ambient temperature
Vertical base up position



Survival data

Survival rate and lumen maintenance



Hours	Survival rate 3 hours	Lumen maintenance
100	1.00	1.00
2,000	0.98	0.85
4,000	0.90	0.81
6,000	0.72	0.78
8,000	0.50	0.75

Downloads & Links

[Go to the catalog site \(HTTP\)](#)

[CFL Integrated Spectrum Catalogue \(PDF\)](#)

[Lighting design tools & calculators \(HTTP\)](#)

[Disposing and Cleaning of CFL Lamps \(HTTP\)](#)

[Datasheets \(HTTP\)](#)

[Disposing and Cleaning of CFL Lamps \(HTTP\)](#)

[Certificate for the Quality Management System of GE Lighting EMEA \(PDF\)](#)

[Certificate for the Environmental Management System of GE Lighting EMEA \(PDF\)](#)