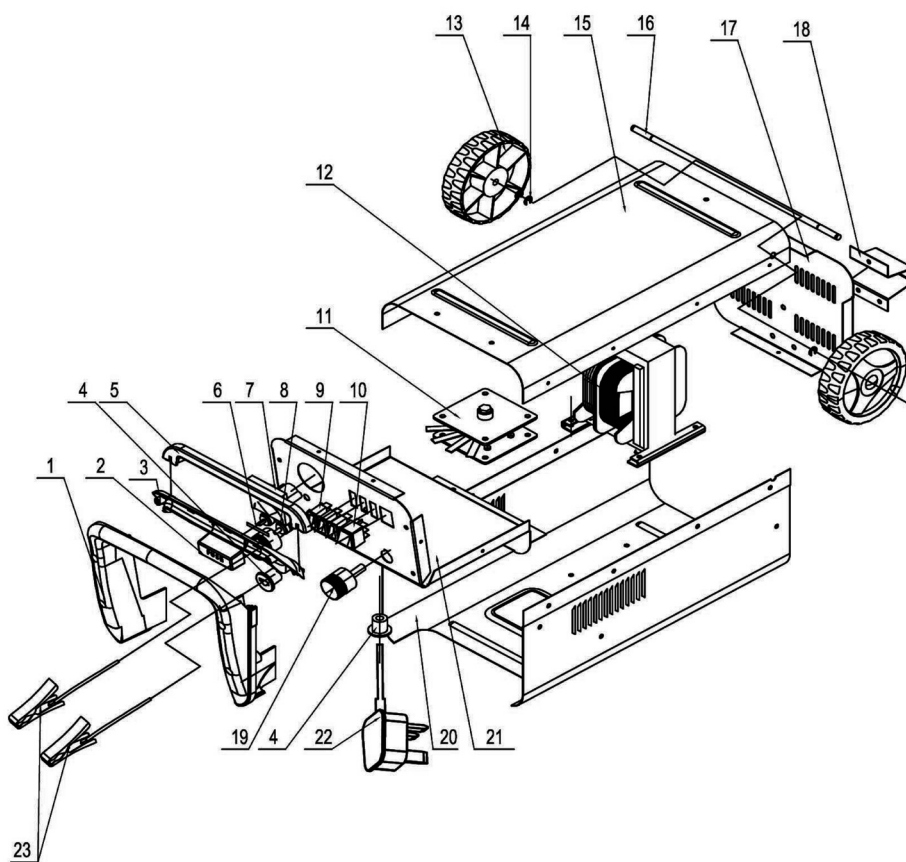




SPARE PARTS LISTING & DRAWING SHEET FOR
**12/24V 240 Amp
 Battery Charger/Starter**

Stock No.11966 Part No.BCSD300T



KEY No.	PART No.	STOCK No.	DESCRIPTION
1	HIGHER-400-1	12159	Plastic part 1.
2	HIGHER-400-2	12160	Fuse cover.
3	HIGHER-400-3	12161	Plastic part 2.
4	HIGHER-400-4	12162	Pull off.
5	HIGHER-400-5	12163	Plastic part 3.
6	HIGHER-400-6	12164	Fuse.
7	HIGHER-400-7	12165	Ampere meter.
8	HIGHER-400-8	12166	Terminal pillar.
9	HIGHER-400-9	12167	Switch.
10	HIGHER-400-10	12168	Switch 01.
11	HIGHER-400-11	12169	Bridge rectifier.
12	HIGHER-400-12	12170	Main transformer.

KEY No.	PART No.	STOCK No.	DESCRIPTION
13	HIGHER-400-13	12171	Castor wheels.
14	HIGHER-400-14	12173	Axel "E" clip.
15	HIGHER-400-15	12174	Back panel.
16	HIGHER-400-16	12175	Wheel axle.
17	HIGHER-400-17	12176	Bottom panel.
18	HIGHER-400-18	12177	Base foot.
19	HIGHER-400-19	12178	Terminal connector.
20	HIGHER-400-20	12181	Front panel.
21	HIGHER-400-21	12182	Upper panel.
22	HIGHER-400-22	12183	Plug and cable.
23	HIGHER-400-23	12184	Cable clamps.

Helpline: (023) 8049 4344. Sales Desk: (023) 8049 4333. General Enquiries: (023) 8026 6355.

DRAPER TOOLS LTD, HURSLEY ROAD, CHANDLER'S FORD, EASTLEIGH, HANTS. SO53 1YF U.K. internet: www.draper.co.uk e-mail: sales@drapertools.com