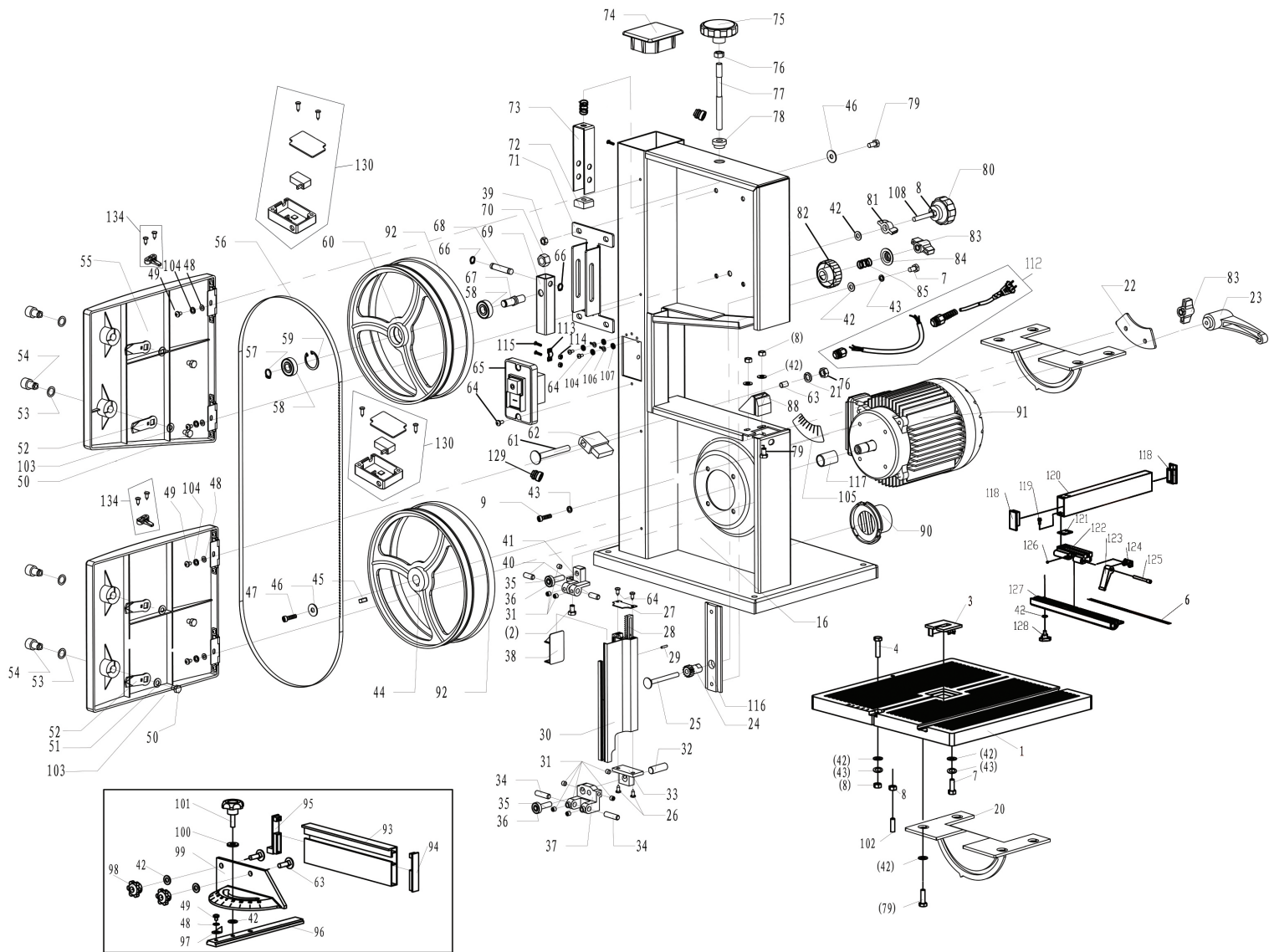


230V TWO WHEEL

BANDSAW

13773- BS200A SPARE PARTS DRAWING





230V TWO WHEEL

BANDSAW

13773- BS200A SPARE PARTS LISTING

KEY No.	PART No.	STOCK No.	DESCRIPTION
1	YBS200A-01	18578	Work table.
2	YBS200A-02	18584	M6 x 16 hex screw
3	YBS200A-03	18594	Table insert
4	YBS200A-04	18642	M6 x 25 screw
5	YBS200A-05	18643	Ruler base
8	YBS200A-08	18648	M6 nut
16	YBS200A-16	18657	Machine body
20	YBS200A-20	18664	Seat
21	YBS200A-21	18665	Washer
22	YBS200A-22	18666	Plate
23	YBS200A-23	18667	Locking knob
24	YBS200A-24	18668	Gear
25	YBS200A-25	18669	M6 x 60 screw
26	YBS200A-26	18670	Screw
27	YBS200A-27	18671	Plate
28	YBS200A-28	18672	Rack
29	YBS200A-29	18673	Spring pin
30	YBS200A-30	18674	Bar
31	YBS200A-31	18675	M6 x 6 hex socket screw
32	YBS200A-32	18676	Connecting pin
33	YBS200A-33	18677	Fixed block
34	YBS200A-34	18678	Clamping pin
35	YBS200A-35	18679	Bearing pin
36	YBS200A-36	18680	Bearing 625ZZ
37	YBS200A-37	18681	Upper clamping block
38	YBS200A-38	18682	Plastic board
39	YBS200A-39	18685	M6 nut
40	YBS200A-40	18686	Clamping pin
41	YBS200A-41	18688	Lower clamping block
42	YBS200A-42	18689	Washer
43	YBS200A-43	18690	Spring washer
44	YBS200A-44	18693	Pulley sets
45	YBS200A-45	18696	Flat key
46	YBS200A-46	18697	Washer
47	YBS200A-47	18698	M6 x 10 screw
48	YBS200A-48	18699	Washer
49	YBS200A-49	18703	M4 x 6 screw
50	YBS200A-50	18704	M6 x 8 screw
51	YBS200A-51	18706	Lower door
52	YBS200A-52	18707	Rear Panel
53	YBS200A-53	18708	Washer

KEY No.	PART No.	STOCK No.	DESCRIPTION
54	YBS200A-54	18711	Key core
55	YBS200A-55	18781	Upper door
56	See manual		Saw blade
57	YBS200A-57	18782	Circlip for shaft
58	YBS200A-58	18783	Bearing 6000Z
59	YBS200A-59	18785	Circlip for hole
60	YBS200A-60	18787	Upper saw wheel
61	YBS200A-61	18795	M8 x 65 screw
62	YBS200A-62	18799	Brush
63	YBS200A-63	18818	M6 x 20 screw
64	YBS200A-64	18848	M4 x 8 screw
65	YBS200A-65	18868	Switch
66	YBS200A-66	18871	Circlip for shaft
67	YBS200A-67	18874	Shaft
68	YBS200A-68	18880	Adjustable lever
69	YBS200A-69	18881	Fixed tube
70	YBS200A-70	18882	Nut M10
71	YBS200A-71	18938	Fixed base
72	YBS200A-72	18940	Nut
73	YBS200A-73	18946	Adjustable plate
74	YBS200A-74	18947	Column cover
75	YBS200A-75	18948	Adjustable knob
76	YBS200A-76	18949	M8 nut
77	YBS200A-77	18950	Screw
78	YBS200A-78	18951	Washer
79	YBS200A-79	18953	M6 x 12 screw
80	YBS200A-80	18954	Adjustable knob
81	YBS200A-81	18960	Wing knob
82	YBS200A-82	18967	Knob
83	YBS200A-83	18968	Wing knob
84	YBS200A-84	18971	Spring cap
85	YBS200A-85	18972	Spring
86	YBS200A-86	18977	Washer
88	YBS200A-88	18985	Cover
89	YBS200A-89	18986	Circlip for shaft
90	YBS200A-90	18994	Dust Vent
91	YBS200A-91	18999	Motor
92	YBS200A-92	19005	Rubber band
93	YBS200A-93	19008	Locating piece
94	YBS200A-94	19010	Left end cap
95	YBS200A-95	19011	Right end cap

