

DRAPER[®]

D20
MULTI-TOOL BATTERY SYSTEM

GB ORIGINAL LANGUAGE

20V BRUSHLESS

COMBI DRILL

55338 & 79894 (EU 91902)



CE

F **PERCEUSE COMBINÉE**
SANS BALAI 20V
55338 & 79894

E **TALADRO SIN**
ESCOBILLAS DE 20V
55338 & 79894

P **BERBEQUIM**
COMBINADO
SEM ESCOVAS DE 20V
55338 & 79894

D **BÜRSTENLOSER 20V**
BOHRSCHRAUBER
55338 & 79894

NL **20V BORSTELLOZE**
COMBI-BOORMACHINE
55338 & 79894

1. INTRODUCTION



1.1 SCOPE

This product is intended for drilling in wood and similar materials e.g. MDF, Plywood, plastic, metal, and impact drilling in brick, concrete and tiles. It can also be used for screwdriving.

This product is intended for domestic and infrequent light trade use only. Any application other than that it was intended for, is considered misuse.

This product is not a toy and must not be used by children or any person with reduced physical, sensory or mental capabilities or lack of experience and knowledge, or people unfamiliar with these instructions.

Local regulations may restrict the age of the operator.

1.2 UNDERSTANDING THIS MANUALS SAFETY CONTENT:

Warning! – Information that draws attention to the risk of injury or death.

Caution! – Information that draws attention to the risk of damage to the product or surroundings.

1.3 EXPLANATION OF SYMBOLS



Read the instruction manual.



Wear face mask and safety glasses.



Wear ear defenders.



Wear protective gloves.



Long hair must be tied back.



Do not abandon into the environment.



Keep out of the reach of children.



Warning!



Warning! Risk of crushing.



Direction of rotation.



Continuous A-Weighted Sound Pressure Level.



Class II construction (Double insulated).



WEEE – Waste Electrical & Electronic Equipment.
Do not dispose of Waste Electrical & Electronic Equipment in with domestic rubbish.



Lithium-ion product.

Li-ion



Do not incinerate or throw onto fire.



For indoor use only.
Do not expose to rain.



Fuse protective device.



Polarity indication.



Rated voltage.



European conformity.

2. SPECIFICATION



2.1 SPECIFICATION

Stock No's. 55338 & 79894

Part No's. D20CD60 & D20CD60SET

Drilling capacities:

Wood 35mm

Mild steel 13mm

Masonry 10mm

Maximum torque..... 60Nm

Torque settings 23+1

Revolutions per minute (n0) 0-1800r/min

Impact rate 0-29,700bpm

Chuck type / Capacity Keyless / 13mm

Sound pressure level (LpA): 74.6dB(A), K=3 dB(A)

Sound power level (LWA): 85.6dB(A), K=3 dB(A)

Uncertainty (K):3dB(A)

Vibration level hammer

drilling in metal: <2.5m/s², K=1.5m/s²

Vibration level hammer

drilling in concrete:10.12m/s², K=1.5m/s²

Weight (machine only / machine & battery pack).....
..... 1.4kg / 2.06kg)

Battery pack (for 55338, sold separately):

Part No. D20B4.0AH

Type Li-Ion

Rated Voltage20V

Rating 4.0Ah

Chargers (for 55338, sold separately):

Part No. D20BCF

Rated Voltage 230V~

Rated Frequency50Hz

Rated D.C. output voltage 20V

Rated D.C. output current 4.0A


Protective device rated current..... 8A

Construction Class II

3. HEALTH AND SAFETY INFORMATION



3.1 GENERAL SAFETY INSTRUCTIONS FOR POWER TOOL USE

 **Warning! Read all safety warnings, instructions, illustrations and specifications provided with this power tool.** Failure to follow all instructions listed below may result in electric shock, fire and/or serious injury.

Save all warnings and instructions for future reference.

The term “power tools” in the warnings refers to your mains-operated (corded) power tool or battery-operated (cordless) power tool.

1) Work area safety

- a) **Keep work area clean and well lit.** Cluttered or dark areas invite accidents.
- b) **Do not operate power tools in explosive atmospheres, such as in the presence of flammable liquids, gases or dust.** Power tools create sparks which may ignite the dust or fumes.
- c) **Keep children and bystanders away while operating a power tool.** Distractions can cause you to lose control.

2) Electrical safety

- a) **Power tool plugs must match the outlet. Never modify the plug in any way. Do not use any adapter plugs with earthed (grounded) power tools.** Unmodified plugs

and matching outlets will reduce risk of electric shock.

- b) **Avoid body contact with earthed or grounded surfaces, such as pipes, radiators, ranges and refrigerators.** There is an increased risk of electric shock if your body is earthed or grounded.
- c) **Do not expose power tools to rain or wet conditions.** Water entering a power tool will increase the risk of electric shock.
- d) **Do not abuse the cord. Never use the cord for carrying, pulling or unplugging the power tool. Keep cord away from heat, oil, sharp edges or moving parts.** Damaged or entangled cords increase the risk of electric shock.
- e) **When operating a power tool outdoors, use an extension cord suitable for outdoor use.** Use of a cord suitable for outdoor use reduces the risk of electric shock.
- f) **If operating a power tool in a damp location is unavoidable, use a residual current device (RCD) protected supply.** Use of an RCD reduces the risk of electric shock.

3) Personal safety

- a) **Stay alert, watch what you are doing and use common sense when operating a power tool. Do not use a power tool while you are tired or under the influence of drugs, alcohol or medication.** A moment of inattention while operating power tools may result in serious personal injury.
- b) **Use personal protective equipment. Always wear eye protection.** Protective equipment such as a dust mask, non-skid safety shoes, hard hat or hearing protection use for appropriate conditions will reduce personal injuries.
- c) **Prevent unintentional starting. Ensure the switch is in the off-position before connecting to power source and/or battery pack, picking up or carrying the tool.** Carrying power tools with your finger on the switch or energising power tools that have the switch on invites accidents.
- d) **Remove any adjusting key or wrench before turning the power tool on.** A wrench or a key left attached to a rotating part of the power tool may result in personal injury.
- e) **Do not overreach. Keep proper footing and balance at all times.** This enables better control of the power tool in unexpected situations.
- f) **Dress properly. Do not wear loose clothing or jewellery. Keep your hair and clothing away from moving parts.** Loose clothes,

jewellery or long hair can be caught in moving parts.

- g) **If devices are provided for the connection of dust extraction and collection facilities, ensure these are connected and properly used.** Use of dust collection can reduce dust-related hazards.
- h) **Do not let familiarity gained from frequent use of tools allow you to become complacent and ignore tool safety principles.** A careless action can cause severe injury within a fraction of a second.
- 4) **Power tool use and care**
- a) **Do not force the power tool. Use the correct power tool for your application.** The correct power tool will do the job better and safer at the rate for which it was designed.
- b) **Do not use the power tool if the switch does not turn it on and off.** Any power tool that cannot be controlled with the switch is dangerous and must be repaired.
- c) **Disconnect the plug from the power source and/or remove the battery pack, if detachable, from the power tool before making any adjustments, changing accessories, or storing power tools.** Such preventive safety measures reduce the risk of starting the power tool accidentally.
- d) **Store idle power tools out of the reach of children and do not allow persons unfamiliar with the power tool or these instructions to operate the power tool.** Power tools are dangerous in the hands of untrained users.
- e) **Maintain power tools and accessories. Check for misalignment or binding of moving parts, breakage of parts and any other condition that may affect the power tool's operation. If damaged, have the power tool repaired before use.** Many accidents are caused by poorly maintained power tools.
- f) **Keep cutting tools sharp and clean.** Properly maintained cutting tools with sharp cutting edges are less likely to bind and are easier to control.
- g) **Use the power tool, accessories and tool bits etc. in accordance with these instructions, taking into account the working conditions and the work to be performed.** Use of the power tool for operations different from those intended could result in a hazardous situation.
- h) **Keep handles and grasping surfaces dry, clean and free from oil and grease.** Slippery handles and grasping surfaces do

not allow for safe handling and control of the tool in unexpected situations.

- 5) **Service**
- a) **Have your power tool serviced by a qualified repair person using only identical replacements parts.** This will ensure that the safety of the power tool is maintained.

3.2 ADDITIONAL SAFETY INSTRUCTIONS FOR DRILLS

Warning!

- 1) **Safety instructions for all operations**
- a) **Wear ear protectors.** Exposure to noise can cause hearing loss.
- b) **Use the auxiliary handle(s).** Loss of control can cause personal injury.
- c) **Brace the tool properly before use.** This tool produces a high output torque and without properly bracing the tool during operation, loss of control may occur resulting in personal injury.
- d) **Hold the power tool by insulated gripping surfaces, when performing an operation where the cutting accessory or fasteners may contact hidden wiring or its own cord.** Cutting accessory or fasteners contacting a "live" wire may make exposed metal parts of the power tool "live" and could give the operator an electric shock.
- 2) **Safety instructions when using long drill bits**
- a) **Never operate at higher speed than the maximum speed rating of the drill bit.** At higher speeds, the bit is likely to bend if allowed to rotate freely without contacting the workpiece, resulting in personal injury.
- b) **Always start drilling at low speed and with the bit tip in contact with the workpiece.** At higher speeds, the bit is likely to bend if allowed to rotate freely without contacting the workpiece, resulting in personal injury.
- c) **Apply pressure only in direct line with the bit and do not apply excessive pressure.** Bits can bend causing breakage or loss of control, resulting in personal injury.

3.3 SAFETY INSTRUCTIONS FOR MAINS POWERED CHARGERS & BATTERY PACKS

Chargers

- The charger is for indoor use only.
- Prior to plugging the charger in to the supply, check that the plug, cable and charger casing are in good condition. If any are damaged, have the defective part(s) replaced immediately by a suitably qualified person.

- Only use a correctly rated mains outlet to provide power, do not plug into site generators, attach to engine generators or D.C. sources. Do not use a mains socket outlet that is not switched.
- Use the correct Draper charger in conjunction with it's corresponding battery pack (consult the Draper website for more information or to find your local stockist).
- Do not charge any other batteries with Draper chargers. Any other application is considered misuse.
- Do not attempt to charge battery packs that are too hot (over 30°C) or too cold (under 5°C), if these conditions apply set the battery pack aside to "normalise" before proceeding with the charging operation.
- Set up the charger and cable in a safe place where it won't be knocked, tripped over, stepped on, etc. and where it is well ventilated. Make sure the ventilation slots in the charger case are not obstructed.
- Inspect the battery pack for damage, if it is undamaged, plug it into the charger, ensuring the correct orientation.
- Switch the charger on and check that the correct indicators illuminate, allow the battery pack to charge (see the specific instructions for your charger). Once charging is complete, switch the charger off, disconnect from power supply, remove the battery pack and store.

Battery packs

- Before charging, read the instructions.
- Do not expose to rain.
- Only use Draper D20 battery packs with this product. Consult your Draper stockist for details.
- Do not charge any other batteries with Draper chargers. Any other application is considered misuse.
- The charger must be disconnected from the power supply before removing the battery.
- The battery must be removed from the appliance before it is recycled.
- The battery is to be disposed of in-line with local authority procedures.
- Do not crush, open or burn the battery. Exposure to potentially harmful materials may occur.
- In case of fire use CO2 or dry chemical extinguisher.
- Do not expose to high temperatures >50°C. The battery may degrade at high temperatures.
- Charge battery in conditions between 5°C to 30°C with the designated charger for the battery.
- Do not use battery if it has been stored at 5°C or less. Allow it to "normalise" at room temperature before usage/charging.

 **Warning!** – Leaking battery packs

- The electrolyte in battery packs is corrosive. Avoid contact with the skin.
- If contact is made, flush the area with clean water, pat dry and seek medical attention at the earliest opportunity.
- Inform medical personnel that the contaminant is a "high alkaline, corrosive liquid".
- If electrolyte comes into contact with the eyes, flush with copious amounts of water only. Seek immediate medical attention, relaying the information above.

3.4 CONNECTION TO THE POWER SUPPLY (CHARGER)

Caution: Risk of electric shock. Do not open.


This appliance is supplied with an approved plug and cable for your safety.

Never use a damaged or incomplete plug.

This appliance is Class II[†] and is designed for connection to a power supply matching that detailed on the rating label and compatible with the plug fitted.

Carefully select an extension lead. Some machines are not suitable for use with extension leads. If the tool is designed for use outdoors, only use an extension lead suitable for that environment in conjunction with an RCD adaptor. When using an extension lead, select one capable of handling the current (amps) drawn by the machine in use. Ensure the cable is fully unwound regardless of the distance between the power supply and the tool. Excess current (amps) and a coiled extension lead will cause the cable to heat up and can result in fire.

Keep extension leads away from moving hazardous parts to avoid damages to the cable which can lead to contact with live parts. Position cable safely to avoid tripping over.

[†]Double insulated : This product requires no earth connection as supplementary insulation is applied to the basic insulation to protect against electric shock in the event of failure of the basic insulation.

Important! If using an extension lead, follow the instructions that came with your lead regarding maximum load while cable is wound. If in doubt, ensure that the entire cable is unwound. Using a coiled extension lead will generate heat which could melt the lead and cause a fire.

4. UNPACKING AND CHECKING

GB

4.1 PACKAGING

Carefully remove the product from the packaging and examine it for any sign of damage. Check contents against the parts shown in Fig A. If any part is damaged or missing, please contact the Draper Help Line (see back page). Do not attempt to use the product!

The packaging material should be retained during the warranty period, in case the product needs to be returned for repair.

⚠ Warning!

- Some of the packaging materials may be harmful to children. Do not leave any of these materials in reach of children.
- If any of the packaging is to be thrown away, make sure they are disposed of correctly, according to local regulations.

5. IDENTIFICATION – FIG.A

GB

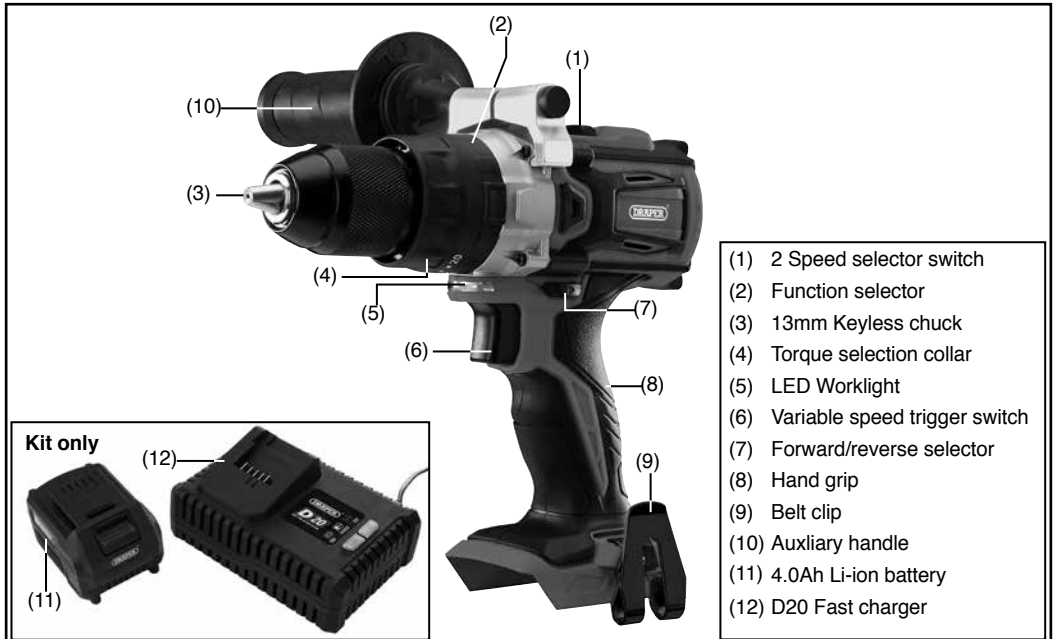


FIG.A

6. BASIC OPERATIONS

GB

Note: For details of our full range of accessories, please visit drapertools.com

6.1 INSTALLING AND REMOVING BITS – FIG. 1

Note: This product is equipped with an electric brake. The drill is fitted with a keyless chuck (3) and does not require a key to secure the drill or screwdriver bit.

- Place the drill bit shoulder into the chuck, making sure not to grip the “flute”.
- Tighten the chuck firmly.

Note: Short screwdriver bits should only be inserted to the depth of the hexagon shank.



FIG. 1

6.2 ROTATIONAL DRIVE SELECTION – FIG.2



FIG. 2

6.3 VARIABLE SPEED TRIGGER – FIG.3

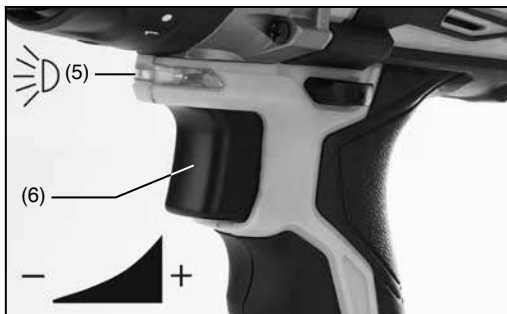


FIG. 3

6.4 FUNCTION CONTROL AND TORQUE SELECTION – FIG.4

Turn collar (4) it is possible to adjust the amount of torque.

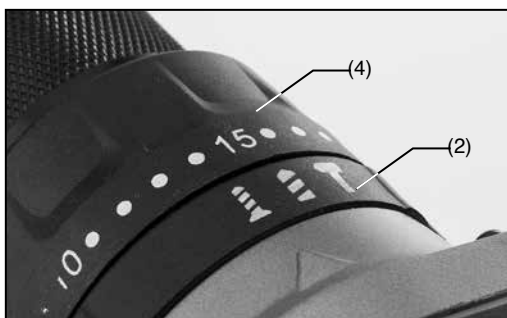


FIG. 4



Rotary drilling.



Hammer drill (intended for drilling into masonry etc).



Screwdriving functions.

6.5 TWO SPEED GEAR BOX – FIG.5

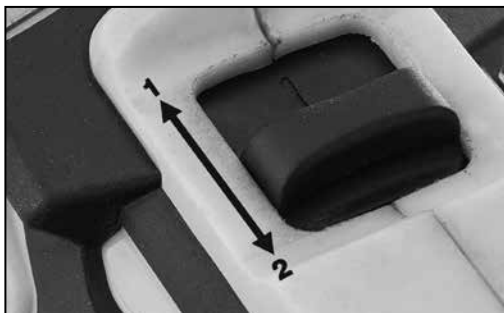


FIG. 5

6.6 AUXILIARY HAND GRIP – FIG.6

Warning!

Always use the auxiliary handle (10) supplied. Loss of control can cause personal injury.

The auxiliary handle can be installed on either side of the tool.

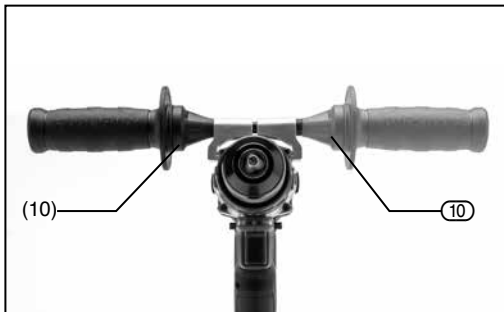



FIG. 6

6.7 SCREWDRIVING

Set the function selector (2) to the screwdriving mode .

Installing screws:

- Move the forward/reverse selector (7) to the forward position (clockwise rotation). Apply pressure to the screw head and depress the trigger slowly to drive the fixing in.

Removing screws:

- Move the forward/reverse selector (7) to the reverse position (anti-clockwise rotation). Apply pressure to the screw head and depress the trigger slowly to undo and remove the fixing.

6.8 DRILLING WOOD AND PLASTIC – FIG.7

To prevent breakout on the reverse side of the workpiece, clamp a piece of scrap timber **A** behind the material to be used.

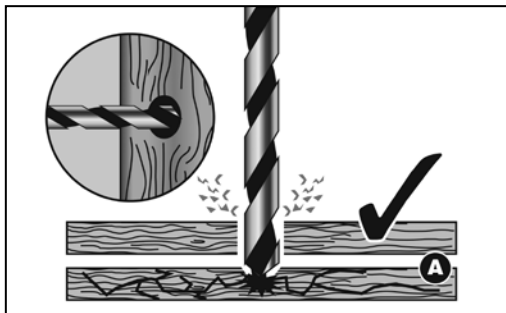


FIG. 7

6.9 DRILLING METAL – FIG.8

Select the function selector **2** to the rotary drilling mode.

Metals such as mild steel, aluminium and brass may be drilled.

- Mark the point to be drilled with a centre punch **B** to help the drill bit tip accurately locate.
- A drop of oil **C** on the drilled area will aid cutting and help prolong the life of the drill bit.

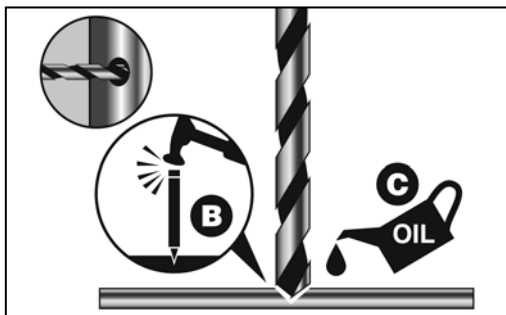


FIG. 8

6.10 DRILLING MASONRY

Select the function selector **2** to the hammer mode **T**.

- Start drilling at a slow speed to prevent the drill bit from wandering. Once penetration is achieved, fully depress the trigger to achieve maximum speed and hammer power.

6.11 BATTERY PACK CHARGING – FIGS. 9 – 10

55338 is supplied “bare”, without battery pack or charger. For compatible batteries, chargers and accessories please visit www.drapertools.com.

Important! Draper designated battery packs and chargers must only be used with this product. Use of any other third-party battery packs/chargers is considered misuse and will invalidate the warranty.

Once connected to the mains supply, recharging of the battery can be left generally unsupervised.

Warning! Check the condition of the charger and battery prior to each charge. Do not use if there is any sign of damage.

The battery pack is supplied un-charged and must be charged before initial use.

To charge the battery pack **11**:

- Plug the battery charger **12** unit into a suitable mains power supply socket.
- The red LED **12.1** will illuminate to show the charger has power.
- Slide the battery into the charger’s aligning pins.
- After a few seconds delay, the red LED will flash to show that charging has begun, then changes to solid red.
- Whilst the battery is charging, the green LED **12.2** will flash.
- When the battery is fully charged the green LED stops flashing and changes to solid green. The red LED will turn off.



FIG. 9

To release the battery pack:

- Press the battery release button **11.1** and gently slide the battery pack off (Fig.10).



FIG. 10

Caution: Only use the plug to disconnect from the power supply, never use the cable.

Caution: If the battery charger has been in continuous use it will be hot. Once charging is completed, leave the charger to cool.

Only charge cooled batteries.

6.12 BATTERY PACK PROTECTION FEATURES

Overcharging protection: When the battery pack is fully charged, the transformer/charger will automatically shut off, protecting the internal components.

Over-discharging protection: Stops the battery pack from discharging beyond the recommended lowest safety voltage.

Overheating protection: An internal thermistor cut-off sensor shuts off the battery pack should it become too hot during operation. For example, if the tool is overloaded or used for extended periods. 30 minutes cooling time may be required.

Current protection: If the battery is overloaded or the maximum current draw exceeded, the battery will shut off to protect internal components. The battery pack will resume operation once the current draw is at a safe level.

Short circuit protection: The battery pack will stop operating immediately if it was to short circuit.

6.13 BATTERY PACK CHARGE STATUS – FIG.11

Press the charge level indicator button (11.2) to display the battery charge level.

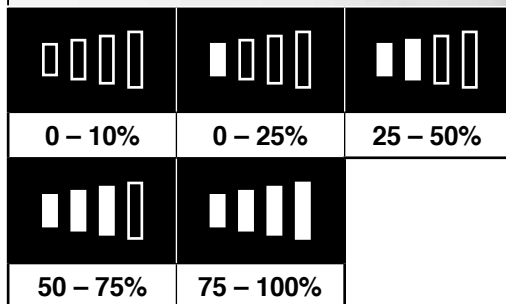


FIG. 11

6.14 BATTERY LIFE EFFICIENCY AND CHARGING ADVICE

- A rechargeable battery will be hot immediately after use. If such a battery is recharged immediately after use the battery life will be shortened. Leave the battery and recharge it after it has cooled.
- The battery needs to be warmed-up or cooled down to prevent damaging to the batteries internal components.

7. MAINTENANCE AND TROUBLESHOOTING

7.1 TROUBLESHOOTING GUIDE

Problems	Possible cause	Required action
Drill does not operate.	<ul style="list-style-type: none">– Battery pack no charge.– Forward/reverse not selected.– Battery pack faulty or damaged.	<ul style="list-style-type: none">– Re-charge battery pack.– Select forward/reverse.– Replace battery pack.
Motor runs, but slowly/ losing power.	<ul style="list-style-type: none">– Battery pack no charge.– Battery pack faulty or damaged.	<ul style="list-style-type: none">– Re-charge battery pack.– Replace battery pack.
Chuck does not close or grip	<ul style="list-style-type: none">– Swarf in chuck.	<ul style="list-style-type: none">– Clean inside of chuck with cleaning fluid.
Battery pack doesn't charge / non-illumination / non illumination of charger.	<ul style="list-style-type: none">– Fuse blown in charger plug.– Charger faulty.	<ul style="list-style-type: none">– Replace fuse.– Replace charger.
Red indicator flickers rapidly on charger	<ul style="list-style-type: none">– Foreign object in charger's battery slot	<ul style="list-style-type: none">– Remove foreign object and allow battery/charger to normalise

7.2 MAINTENANCE

Regular inspection and cleaning reduces the necessity for maintenance operations and will keep your tool in good working condition.

Do not use solvents or fuels to clean the product. When not in use, store the product in a safe, dry place.

8. WARRANTY

8.1 WARRANTY

Draper power tools have been carefully tested & inspected and are guaranteed to be free from defective materials or workmanship.

For details of warranty and terms and conditions please visit the Draper Tools website at www.drapertools.com/warranty

