

DRAPER®

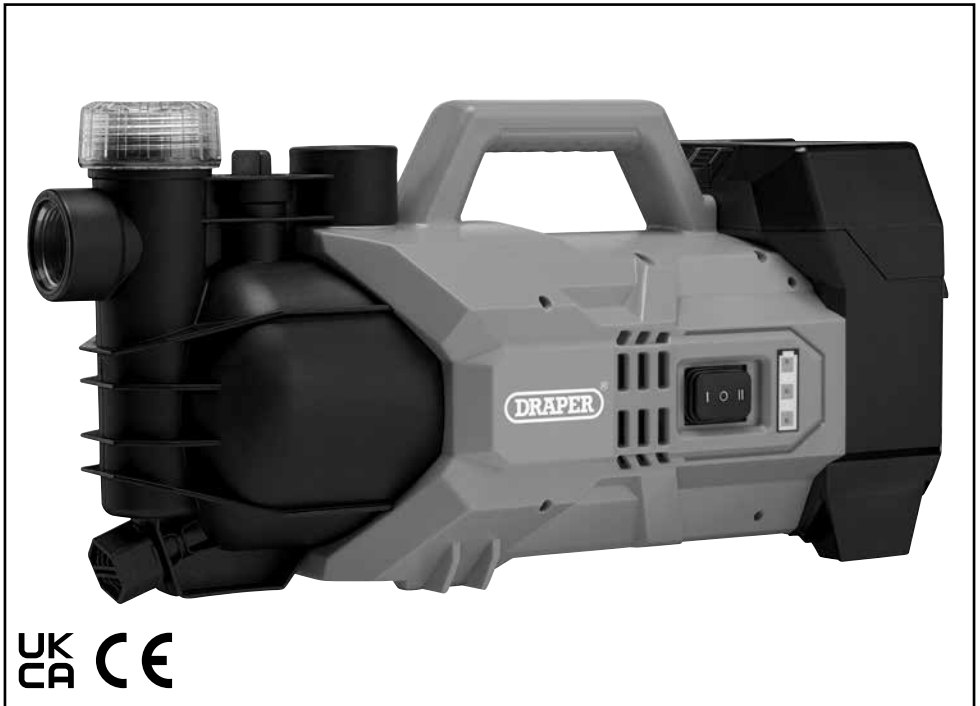
D20
MULTI-TOOL BATTERY SYSTEM

GB

20V

WATER PUMP

08097



UK
CA CE

These instructions accompanying the product are the original instructions. This document is part of the product, keep it for the life of the product passing it on to any subsequent holder of the product. Read all these instructions before assembling, operating or maintaining this product.

This manual has been compiled by Draper Tools describing the purpose for which the product has been designed, and contains all the necessary information to ensure its correct and safe use. By following all the general safety instructions contained in this manual, it will ensure both product and operator safety, together with longer life of the product itself.

All photographs and drawings in this manual are supplied by Draper Tools to help illustrate the operation of the product.

Whilst every effort has been made to ensure the accuracy of information contained in this manual, the Draper Tools policy of continuous improvement determines the right to make modifications without prior warning.

1. TITLE PAGE

1.1 INTRODUCTION:

USER MANUAL FOR: 20V Water Pump

Stock No: 08097

Part No: D20G/WP

1.2 REVISIONS:

Date first published September 2021.

Date first revision October 2023.

As our user manuals are continually updated, users should make sure that they use the very latest version.

Downloads are available from: <http://drapertools.com/manuals>

Draper Tools Limited
Hursley Road
Chandler's Ford
Eastleigh
Hampshire
SO53 1YF
UK

Draper Tools Limited
Oude Graaf 8
6002 NL
WEERT
Netherlands

Website: drapertools.com

Product Help Line: +44 (0) 23 8049 4344

General Fax: +44 (0) 23 8026 0784

1.3 UNDERSTANDING THIS MANUALS SAFETY CONTENT:

Warning! – Information that draws attention to the risk of injury or death.

Important – Information that draws attention to the risk of damage to the product or surroundings.

1.4 COPYRIGHT © NOTICE:

Copyright © Draper Tools Limited.

Permission is granted to reproduce this publication for personal and educational use only. Commercial copying, redistribution, hiring or lending is prohibited.

No part of this publication may be stored in a retrieval system or transmitted in any other form or means without written permission from Draper Tools Limited.

In all cases this copyright notice must remain intact.

2. CONTENTS

2.1 TABLE OF CONTENTS

1. TITLE PAGE	
1.1 INTRODUCTION.....	2
1.2 REVISIONS:.....	2
1.3 UNDERSTANDING THIS MANUALS SAFETY CONTENT	2
1.4 COPYRIGHT © NOTICE.....	2
2. CONTENTS	
2.1 TABLE OF CONTENTS	3
3. WARRANTY	
3.1 WARRANTY.....	4
4. INTRODUCTION	
4.1 SCOPE.....	5
4.2 SPECIFICATION.....	5
4.3 HANDLING AND STORAGE.....	5
5. HEALTH AND SAFETY INFORMATION	
5.1 GENERAL SAFETY INSTRUCTIONS FOR POWER TOOL USE.....	6
5.2 SPECIFIC SAFETY INSTRUCTIONS FOR PUMP USE	7
5.3 RESIDUAL RISK.....	8
5.4 SAFETY INSTRUCTIONS FOR MAINS POWERED CHARGERS & BATTERY PACKS (NOT SUPPLIED)	8
5.5 CONNECTION TO THE POWER SUPPLY – CHARGER (NOT SUPPLIED).....	9
6. TECHNICAL DESCRIPTION	
6.1 IDENTIFICATION.....	10
7. UNPACKING AND CHECKING	
7.1 PACKAGING	11
7.2 WHAT'S IN THE BOX	11
7.3 D20 MULTI-TOOL INTERCHANGEABLE BATTERY SYSTEM.....	11
8. ASSEMBLING THE WATER PUMP	
8.1 CONNECTING THE HOSES	12
9. BATTERY PACK (NOT SUPPLIED)	
9.1 BATTERY PACK CHARGING.....	13
9.2 BATTERY PACK PROTECTION FEATURES.....	14
9.3 BATTERY PACK CHARGE STATUS	14
9.4 BATTERY LIFE EFFICIENCY AND CHARGING ADVICE.....	14
10. OPERATION AND USE	
10.1 'PRIMING' THE PUMP.....	15
10.2 SWITCHING ON	15
10.3 PUMPING SPEEDS.....	15
11. MAINTENANCE AND TROUBLESHOOTING	
11.1 AFTER USE.....	16
11.2 MAINTENANCE.....	16
11.3 TROUBLESHOOTING GUIDE.....	16
12. DISPOSAL	
12.1 DISPOSAL.....	18
13. EXPLANATION OF SYMBOLS	
13.1 EXPLANATION OF SYMBOLS.....	19

3. WARRANTY

3.1 WARRANTY

Draper power tools have been carefully tested & inspected and are guaranteed to be free from defective materials or workmanship.

For details of warranty and terms and conditions please visit the Draper Tools website at www.drapertools.com/warranty


4. INTRODUCTION

4.1 SCOPE

This product has been designed for the transfer of water. It is ideally suited to the pumping out of garden ponds and pools where water is free of debris. It **MUST NOT** be used for the transfer of fuels, antifreeze, solvents or any other non-aqueous liquids.

This product is suitable for enthusiasts and tradespersons alike. Any application other than that it was intended for is considered misuse.

4.2 SPECIFICATION

Stock No.	08097
Part No.	D20G/WP
Motor:	
Rated voltage	20V 
Rated power	180W
Max. pressure	2.2bar
Max. grain size	≤0.5mm
Max. flow rates and heights/depths	
1. Normal pumping mode:	
Max. height/depth	22M
Max. flow rate	2800L/h
2. 'Eco' pumping mode:	
Max. height/depth	15M
Max. flow rate	2000L/h
Inlet pipe connectionØ	G1(1 1/4")
Moisture ingress protection rating	IPX4
Weight (product only)	2.4kg

4.3 HANDLING AND STORAGE

- Care must be taken when handling this product. Dropping this power tool could have an effect on its accuracy and could also result in personal injury. This product is not a toy and must be respected.
- Environmental conditions can have a detrimental effect on this product if neglected. Exposure to damp air can gradually corrode components. If the product is unprotected from dust and debris, components will become clogged. If not cleaned and maintained correctly or regularly, the machine will not perform at its best.

5. HEALTH AND SAFETY INFORMATION

5.1 GENERAL SAFETY INSTRUCTIONS FOR POWER TOOL USE

Warning! Read all safety warnings, instructions, illustrations and specifications provided with this power tool. Failure to follow all instructions listed below may result in electric shock, fire and/or serious injury.

Save all warnings and instructions for future reference.

The term “power tools” in the warnings refers to your mains-operated (corded) power tool or battery-operated (cordless) power tool.

1) Work area safety

- a) **Keep work area clean and well lit.** Cluttered or dark areas invite accidents.
- b) **Do not operate power tools in explosive atmospheres, such as in the presence of flammable liquids, gases or dust.** Power tools create sparks which may ignite the dust or fumes.
- c) **Keep children and bystanders away while operating a power tool.** Distractions can cause you to lose control.

2) Electrical safety

- a) **Power tool plugs must match the outlet. Never modify the plug in any way. Do not use any adapter plugs with earthed (grounded) power tools.** Unmodified plugs and matching outlets will reduce risk of electric shock.
- b) **Avoid body contact with earthed or grounded surfaces, such as pipes, radiators, ranges and refrigerators.** There is an increased risk of electric shock if your body is earthed or grounded.
- c) **Do not expose power tools to rain or wet conditions.** Water entering a power tool will increase the risk of electric shock.
- d) **Do not abuse the cord. Never use the cord for carrying, pulling or unplugging the power tool. Keep cord away from heat, oil, sharp edges or moving parts.** Damaged or entangled cords increase the risk of electric shock.
- e) **When operating a power tool outdoors, use an extension cord suitable for outdoor use.** Use of a cord suitable for outdoor use reduces the risk of electric shock.
- f) **If operating a power tool in a damp location is unavoidable, use a residual current device (RCD) protected supply.** Use of an RCD reduces the risk of electric shock.

3) Personal safety

- a) **Stay alert, watch what you are doing and use common sense when operating a power tool. Do not use a power tool while you are tired or under the influence of drugs, alcohol or medication.** A moment of inattention while operating power tools may result in serious personal injury.
- b) **Use personal protective equipment Always wear eye protection.** Protective equipment such as a dust mask, non-skid safety shoes, hard hat or hearing protection use for appropriate conditions will reduce personal injuries.
- c) **Prevent unintentional starting. Ensure the switch is in the off-position before connecting to power source and/or battery pack, picking up or carrying the tool.** Carrying power tools with your finger on the switch or energising power tools that have the switch on invites accidents.
- d) **Remove any adjusting key or wrench before turning the power tool on.** A wrench or a key left attached to a rotating part of the power tool may result in personal injury.
- e) **Do not overreach. Keep proper footing and balance at all times.** This enables better control of the power tool in unexpected situations.

5. HEALTH AND SAFETY INFORMATION

- f) **Dress properly. Do not wear loose clothing or jewellery. Keep your hair and clothing away from moving parts.** Loose clothes, jewellery or long hair can be caught in moving parts.
- g) **If devices are provided for the connection of dust extraction and collection facilities, ensure these are connected and properly used.** Use of dust collection can reduce dust-related hazards.
- h) **Do not let familiarity gained from frequent use of tools allow you to become complacent and ignore tool safety principles.** A careless action can cause severe injury within a fraction of a second.

4) Power tool use and care

- a) **Do not force the power tool. Use the correct power tool for your application.** The correct power tool will do the job better and safer at the rate for which it was designed.
- b) **Do not use the power tool if the switch does not turn it on and off.** Any power tool that cannot be controlled with the switch is dangerous and must be repaired.
- c) **Disconnect the plug from the power source and/or remove the battery pack, if detachable, from the power tool before making any adjustments, changing accessories, or storing power tools.** Such preventive safety measures reduce the risk of starting the power tool accidentally.
- d) **Store idle power tools out of the reach of children and do not allow persons unfamiliar with the power tool or these instructions to operate the power tool.** Power tools are dangerous in the hands of untrained users.
- e) **Maintain power tools and accessories. Check for misalignment or binding of moving parts, breakage of parts and any other condition that may affect the power tool's operation. If damaged, have the power tool repaired before use.** Many accidents are caused by poorly maintained power tools.
- f) **Keep cutting tools sharp and clean.** Properly maintained cutting tools with sharp cutting edges are less likely to bind and are easier to control.
- g) **Use the power tool, accessories and tool bits etc. in accordance with these instructions, taking into account the working conditions and the work to be performed.** Use of the power tool for operations different from those intended could result in a hazardous situation.
- h) **Keep handles and grasping surfaces dry, clean and free from oil and grease.** Slippery handles and grasping surfaces do not allow for safe handling and control of the tool in unexpected situations.

5) Service

- a) **Have your power tool serviced by a qualified repair person using only identical replacements parts.** This will ensure that the safety of the power tool is maintained.

5.2 SPECIFIC SAFETY INSTRUCTIONS FOR PUMP USE

Have this tool repaired by a qualified person. This tool is designed to conform to the relevant international and local standards and as such should be maintained and repaired by someone qualified; using only original parts supplied by the manufacturer: This will ensure the tool remains safe to use.

- Surface mounted pumps should always be transported and stored horizontally on the base plate.
- Always ensure that your hands are dry when connecting and disconnecting the battery pack or when connecting the battery pack charger to the mains power supply.
- NEVER operate the pump dry.
- The area being pumped should be kept clear, nobody should enter area whilst the pump is operating.

5. HEALTH AND SAFETY INFORMATION

5.3 RESIDUAL RISK

Important: Although the safety instructions and operating manuals for our tools contain extensive instructions of safe working with power tools, every power tool involves a certain residual risk which can not be completely excluded by safety mechanisms. Power tools must therefore always be operated with caution!

5.4 SAFETY INSTRUCTIONS FOR MAINS POWERED CHARGERS & BATTERY PACKS (NOT SUPPLIED)

- The charger (not supplied) is for indoor use only.
- Prior to plugging the charger in to the supply, check that the plug and the cable are in good repair. If either are damaged, have the defective item replaced immediately by a suitably qualified person. If the casing of the battery charger is damaged, it is good policy to have the charger checked over by a suitably qualified person.
- Only use a correctly rated mains outlet to provide power, do not plug into site generators, attach to engine generators or D.C. sources. Do not use a mains socket outlet that is not switched.
- Use the correct Draper charger in conjunction with it's corresponding battery pack (consult the Draper website for more information or to find your local Draper stockist).
- Do not charge any other batteries with Draper chargers. Any other application is considered misuse.
- Do not attempt to charge battery packs that are too hot (over 30°C) or too cold (under 5°C), if these conditions apply set the battery pack aside to "normalise" before proceeding with the charging operation.
- Set up the charger and cable in a safe place where it won't be knocked, tripped over, stepped on, etc. and where it is well ventilated. Make sure the ventilation slots in the charger case are not obstructed, plug the charger into the socket outlet.
- Inspect the battery pack for damage, if it is undamaged, plug it into the charger, ensuring the correct orientation. (Most chargers and batteries have 'keys' etc, to make sure the battery pack is not inserted incorrectly, if you are having to 'force' the battery pack into the charger, the chances are you have it the wrong way round, check and try again.)
- Switch the charger on and check that the correct indicators illuminate, allow the battery pack to charge (see the specific instructions for your charger). Once charging is complete, switch the charger off, remove the battery pack and store, repeat the procedure if you have more than one battery pack to charge.

Caution: When the battery charger has been continuously used, the battery charger will be hot. Once the charging has been completed, give 15 minutes rest until the next charge.

- After charging is complete, unplug the charger from the socket outlet by pulling on the plug. Do not pull on the cable. Store the charger in a dry secure place.
- If, when the charger was switched on, the correct indications did not occur, leave for two or three minutes to allow the charger to stabilise, if the correct indications occur, allow the charging cycle to proceed as normal. If no indication appears at all, switch off, remove the battery pack, unplug the charger, check that the charger contacts and the battery contacts are clean and repeat the process. If there is still no indication, switch off, remove the battery pack, unplug the charger and check the fuse. If the fuse is blown, replace and repeat the process. If the fuse blows again, or if the fuse was intact, attempt no further action. Refer the charger to a suitably qualified person for repair.

Battery packs

- Before charging, read the instructions.
- For indoor use. Do not expose to rain.
- Only use Draper D20 battery packs with this product. Consult your Draper stockist for details.

5. HEALTH AND SAFETY INFORMATION

- Do not charge any other manufacturer's battery packs using Draper chargers. Any other application is considered misuse.
- The battery must be removed from the appliance before it is recycled.
- The charger must be disconnected from the supply mains when removing the battery.
- The battery is to be disposed of in-line with local authority procedures.
- Do not use any other than the designated Draper batteries/chargers with this product.
- Do not crush, open or burn the battery. Exposure to potentially harmful materials may occur.
- In case of fire use CO₂ or dry chemical extinguisher.
- Do not expose to high temperatures >50°C. The battery may degrade at high temperatures.
- Charge battery in conditions between 5°C to 30°C with the specified charger designed for this battery.
- Do not use battery if it has been stored at 5°C or less. Allow it to "normalise" at room temperature before usage/charging.

Warning! Leaking battery packs

- The electrolyte in battery packs is corrosive. Avoid contact with the skin.
- If contact is made, flush the area with running water, pat dry and seek medical attention and advice at the earliest opportunity.
- Inform medical personnel that the contaminant is a "high alkaline, corrosive liquid".
- If electrolyte comes into contact with the eyes, flush with copious amounts of water only. Seek medical attention immediately, relaying the information above.

5.5 CONNECTION TO THE POWER SUPPLY – CHARGER (NOT SUPPLIED)

Caution: Risk of electric shock. Do not open.

The battery pack (not supplied) for this appliance is used in conjunction with a charger (also not supplied) that is fitted with a moulded 3 pin mains plug for your safety. The value of the fuse fitted is marked on the pin face of the plug.

Should the fuse need replacing, ensure the substitute is of the correct rating, approved to BS1362 and ASTA or BSI Kite marked.

ASTA 

BSI 

The fuse cover is removable with a small plain slot screwdriver. Ensure the fuse cover is replaced before attempting to connect the plug to an electrical outlet. If the cover is missing, a replacement must be obtained or the plug replaced with a suitable type.


If a replacement plug is to be fitted this must be carried out by a qualified electrician.

The damaged or incomplete plug, when cut from the cable should be disabled to prevent connection to a live electrical outlet.

This appliance is Class II[†] and is designed for connection to a power supply matching that detailed on the rating label and compatible with the plug fitted.

If an extension lead is required, use an approved and compatible lead rated for this appliance.

Follow all the instructions supplied with the extension lead.

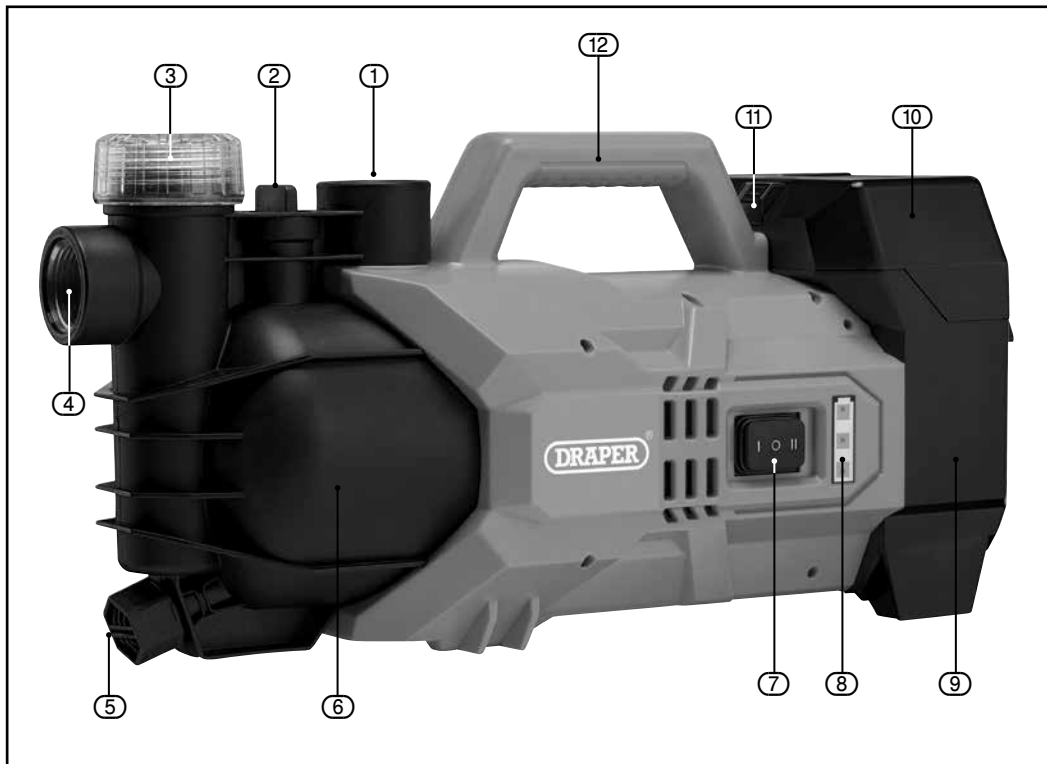
[†]Double insulated : This product requires no earth connection as supplementary insulation is applied to the basic insulation to protect against electric shock in the event of failure of the basic insulation.

Important

If using an extension lead, follow the instructions that came with your lead regarding maximum load while cable is wound. If in doubt, ensure that the entire cable is unwound. Using a coiled extension lead will generate heat which could melt the lead and cause a fire.

6. TECHNICAL DESCRIPTION

6.1 IDENTIFICATION



- ① Water delivery outlet connection.
- ② Priming inlet.
- ③ Filter housing cap.
- ④ Inlet connection.
- ⑤ Drain outlet valve.
- ⑥ Pump motor housing.
- ⑦ ON/OFF/pump speed selection switch.
- ⑧ Battery charge Indicator lights.

- ⑨ Battery pack housing.
- ⑩ Battery pack housing lid.
- ⑪ Battery pack housing lid catch.
- ⑫ Carry handle.

7. UNPACKING AND CHECKING

7.1 PACKAGING

Carefully remove the product from the packaging and examine it for any sign of damage that may have happened during shipping. Lay the contents out and check them against the parts shown below. If any part is damaged or missing, please contact the Draper Help Line (the telephone number appears on the Title page) and do not attempt to use the product.

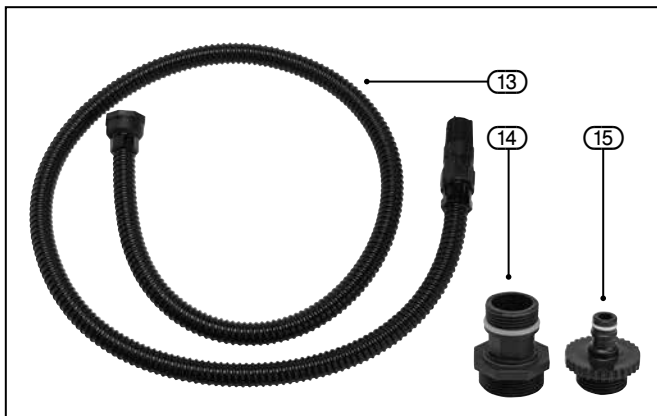
The packaging material should be retained at least during the warranty period, in case the machine needs to be returned for repair.

Warning!

- Some of the packaging materials used may be harmful to children. Do not leave any of these materials in the reach of children.
- If any of the packaging is to be thrown away, make sure they are disposed of correctly, according to local regulations.

7.2 WHAT'S IN THE BOX

As well as the main product, there are several parts not fitted or attached to it.



(13) 2M Suction hose.

(14) 1 1/4" Suction hose connector.

(15) Outlet hose connector.

7.3 D20 MULTI-TOOL INTERCHANGEABLE BATTERY SYSTEM

The D20 range of tools are a range of tools suitable for enthusiasts and tradespersons alike, featuring a wide array of machines all running from the same range of batteries. Many different capacity batteries are available making sure you can balance tool weight with longevity and find a battery that meets your needs. To find out the latest range of accessories including batteries and chargers please consult the Draper website for more information or to find your local Draper stockist.



8. ASSEMBLING THE WATER PUMP

8.1 CONNECTING THE HOSES – FIGS. 1 – 4

Note: Remove the battery pack from the water pump before carrying out any adjustments, servicing or maintenance.

- Connect the 1 1/4" Suction hose connector. (14) into the suction inlet (4).
- Attach the suction hose to the suction hose connector. Tighten by hand only. Draper Tools recommends wrapping a length of PTFE tape around the connector thread to prevent leakages. Wrap the tape against the direction of the thread for a tighter seal.
- Note: In order to reduce the suction time, it is advisable to fill the suction hose with liquid before connecting it to the pump.
- Connect the outlet hose adaptor (15) into the water delivery outlet (4).
- Attach a suitable outlet hose with a 'snap fit' connection ((16) as seen in Fig.4) onto the outlet hose adaptor (15). Note: The outlet hose should be able to withstand the maximum delivery capacity of the pump.

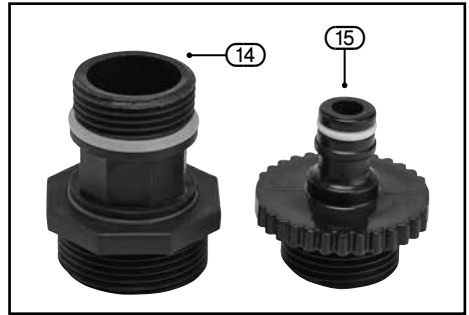


FIG.1

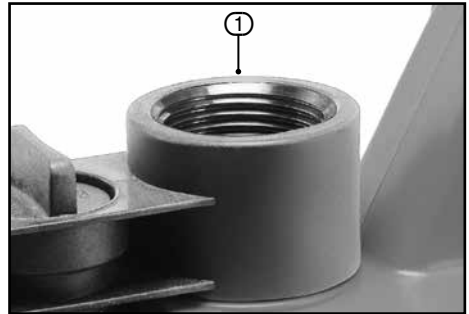


FIG.2



FIG.3

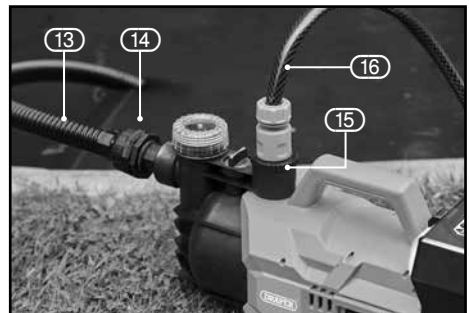


FIG.4

9. BATTERY PACK (NOT SUPPLIED)

9.1 BATTERY PACK CHARGING – FIGS. 5 – 6

This power product is supplied “bare”, without battery pack or charger. Compatible batteries, chargers and accessories are available through Draper Tools stockists.

Important: Only Draper designated battery packs and chargers can be used in conjunction with this product. Use of any other third party battery packs/chargers with this product is considered misuse and will invalidate the product’s warranty.

Once connected to the mains supply, recharging of the battery can be left generally unsupervised, requiring minimal attention. Complex circuit construction monitors the battery condition, adjusting the recharge current to suit. When the recharge cycle is complete, to maintain the full capacity, a low output current will continue as required.

Warning! Check the condition of the charger and battery prior to each charge. If there is any sign of damage then do not commence charging, seek advice from Draper Tools.

The battery pack is supplied un-charged and must be charged before initial use.

To charge the battery pack (17), it must first be removed from the tool.

To release the battery pack:

- Press the battery release button (17.1) and gently slide the battery pack off (Fig.5).
- Plug the battery charger (18) unit into a 230V/AC 13amp three pin supply socket.
- The red LED (18.1) will illuminate to show the charger has power.
- Slide the battery into the charger (the battery is shaped to fit into the charger one way only).
- After a few seconds delay, the red LED (18.1) will flash to show that charging has begun, then illuminate solid red.
- Whilst the battery is charging, the green LED (18.2) will flash, (the red LED will go from flashing to constant red).
- When the battery is fully charged when the green LED stops flashing and remains a constant green. The red LED will extinguish.

Caution: Do not pull the plug out of the power supply by pulling on the cord. Make sure to grasp the plug when removing from power supply to avoid damaging the cord.

To remove the battery from the battery charger:

- Supporting the battery charger with hand, pull out the battery from the battery charger.

Caution: If the battery charger has been in continuous use it will be hot. Once the charging has been completed, leave the charger 15 minutes to cool until next use. If the battery is charged when it is warm due to battery use or exposure to sunlight, the battery will not be recharged. In such a case, let the battery cool before charging.

If the red indicator flickers rapidly at 0.2 second intervals, check or and remove any foreign objects in the charger’s battery slot. If there are no foreign objects, it is probable that the battery or

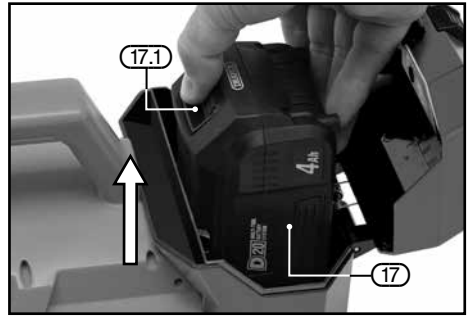


FIG.5

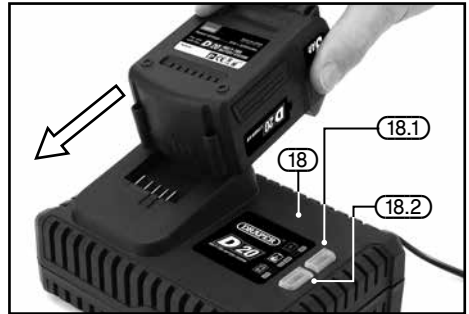


FIG.6

The above and following photographs show Draper D20 4Ah battery pack (Stock No. 55858) and Draper D20 'Fast' battery charger (Stock No. 55913)

9. BATTERY PACK (NOT SUPPLIED)

charger is malfunctioning. Allow battery/charger to normalise and try again. If a fault remains after trying this then contact Draper Tools.

9.2 BATTERY PACK PROTECTION FEATURES

Overcharging protection: This feature that ensures that the battery pack can never be overcharged. When the battery pack reaches full charge capacity, the transformer/charger will automatically shut off, protecting the internal components from being damaged.

Over-discharging protection: This feature will stop the battery pack from discharging beyond the recommended lowest safety voltage.

Overheating protection: The battery pack contains an internal thermistor cut-off sensor which shuts off the battery pack should it become too hot during operation. This can happen if the tool is overloaded or being used for extended periods. Up to 30 minutes cooling time may be required, depending on ambient temperature.

Current protection: Should the battery be overloaded and the maximum current draw be exceeded, the battery will shut off to protect the internal components. The battery pack will resume working once excessive current draw has returned to normal, safe level.

Short circuit protection: If, for any reason, the battery pack was to short circuit, the short circuit protection would immediately stop the battery pack from operating.

9.3 BATTERY PACK CHARGE STATUS – FIGS. 7 – 8

To display the amount of charge left in the battery pack, press the charge level indicator button (17.2).

9.4 BATTERY LIFE EFFICIENCY AND CHARGING ADVICE

- Avoid recharging at high temperatures. A rechargeable battery will be hot immediately after use. If such a battery is recharged immediately after use, its internal chemical substance will deteriorate, and the battery life will be shortened. Leave the battery and recharge it after it has cooled for a while.
- The battery should only be used and/or charged when battery temperature is between 5°C and 30°C.
- The battery needs to be warmed-up or cooled down in order to prevent damage to the batteries internal components,

Note: If battery is too hot or too cold, allow it to 'normalise' before use or charging.

Note: Failure to warm up or cool down a battery could result in serious damage to the battery, charger and user.



FIG.7






Charge level indicator	Amount of charge remaining
	0 – 10%
	10 – 25%
	25 – 50%
	50 – 75%
	75 – 100%

FIG.8

10. OPERATION AND USE

10.1 'PRIMING' THE PUMP – FIG.9

- Position the pump on flat and firm surface.
- Before operating the pump, it should be 'primed' with water, which is added through the priming hole (2).
- Block off the outlet hose end of the pump so that no water can drain out.
- Remove the screw-cap of the priming inlet
- Pour the water in through the priming hole slowly and gradually until the water is overflowing from the inlet hole.

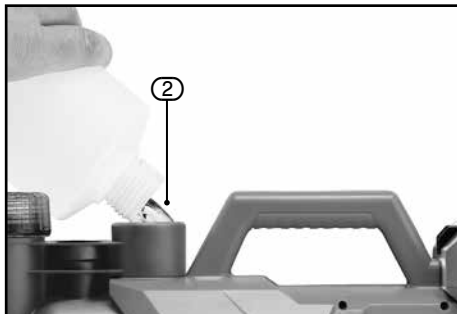


FIG.9

10.2 SWITCHING ON

- The suction hose should be airtight, or air in the hose will block the suction action of the liquid.
- The inlet of the suction hose should always be submerged into the water in order to avoid dry-running of the pump when the liquid level falls (Fig.10).
- Make sure the suction hose does not lift up above the pump, otherwise bubbles formed in the hose might block the flow.
- Open any shut-off valves in the outlet hose (injection nozzle, valves, etc.).
- Insert the battery pack.
- Start the pump by pressing the ON/OFF/pump speed selection rocker switch (7).

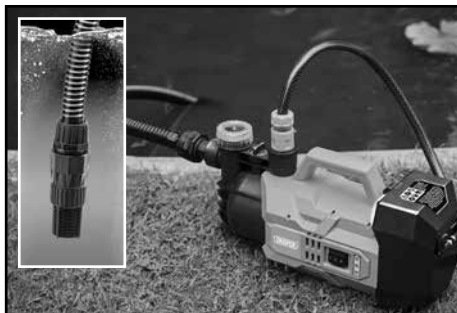


FIG.10

10.3 PUMPING SPEEDS – FIG.11

The pump has two operating speeds activated via the ON/OFF/pump speed selection rocker switch (7):

○ OFF

I Normal pumping mode:

- Max. height/depth: 22M
- Max. flow rate: 2800L/h

Typical running time using a Draper D20 4Ah battery pack: 27 mins.

II 'Eco' pumping mode:

- Max. height/depth: 15M
- Max. flow rate: 2000L/h

Typical running time using a Draper D20 4Ah battery pack: 1hr.

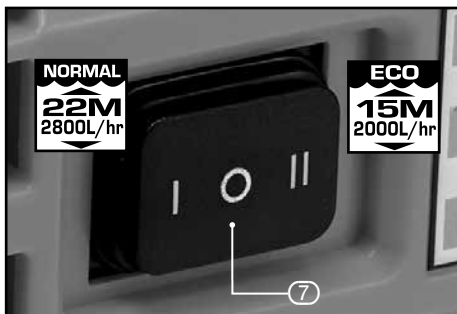


FIG.11

11. MAINTENANCE AND TROUBLESHOOTING

11.1 AFTER USE

- Switch off the pump by pressing the ON/OFF switch.
- Remove the battery pack.
- Drain remaining water in the pump through the drain outlet.
- Put the pump into storage after having been flushed through with clean water.
- Remove the filter housing cap, followed by the filter element within.
- Remove any particles of grit from the filter and rinse in clean water.

11.2 MAINTENANCE

Regular inspection and cleaning reduces the necessity for maintenance operations and will keep your tool in good working condition.

The pump is basically maintenance free. To ensure a long service life, however, we recommend regular checks and care.

Warning! Before any maintenance or adjustment, switch off the pump and remove the battery pack.

If the pump is not going to be used for a long time or has to be removed for the winter months, rinse it out with water, empty it completely and allow it to dry.

- If there is a risk of frost, the pump must be completely empty and dry.
- After long periods of non-use, make sure the rotor turns correctly by briefly switching the pump on and off.
- If the pump becomes blocked, connect the pressure line to the water line and remove the intake hose. Open the water line, Switch on the pump several times for approx. 2 seconds. Most blockages can be removed in this way.

Warning! The pump must never be allowed to run dry!

11.3 TROUBLESHOOTING GUIDE

Problem	Possible Cause	Remedy
The pump doesn't start or suddenly stops.	1. Power off.	1. Replace/reset 13 amp time delay fuse or circuit breaker.
	2. Battery pack damaged.	2. Replace the battery pack..
	3. Other defects.	3. Contact your local Draper Tools service agent, or Draper Tools for fault finding/repair.

11. MAINTENANCE AND TROUBLESHOOTING

11.3 TROUBLESHOOTING GUIDE *(continued)*

Problem	Possible Cause	Remedy
Insufficient flow or no flow.	1. Dirty liquid and/or liquid containing other abrasive substances may reduce the pumping capacity.	1. Clean the filter. If needed, return the product to Draper Tools or an authorised service agent for repair
	2. Hose/Pipe/Filter clogged.	2. Unblock the hose/ Clean the filter.
	3. Hose/piping system damaged.	3. Contact your nearest Draper Tools stockist for replacement hose.
	4. There is air in the pump chamber.	4. 'Prime' the pump, following the procedure shown in section 9.1 on page15.
	5. The joints of the suction hose are not sealed.	5. Replace joints and make sure the connections are securely sealed.
	6. Incorrect saw blade selection.	6. Seek advice on suitable saw blades.
The pump only runs for a short period of time.	1. The impeller may be damaged due to a blockage within the pump, causing it to overheat and cut out.	1. Check the pump for visible signs of a blockage. If the blockage is easily cleared, allow pump to cool and then re-start. If problem persists return the pump to your local Draper Tools service agent, or Draper Tools for fault finding/ repair.
	2. Intervention of the thermal overload switch.	2. Make sure the fluid being pumped is not too dense, causing the motor to overheat.
		3. Make sure the temperature of the water is not too high.
		4. Make sure there is no solid body obstructing the impeller.

12. DISPOSAL

12.1 DISPOSAL

- At the end of the machine's working life, or when it can no longer be repaired, ensure that it is disposed of according to national regulations.
- Contact your local authority for details of collection schemes in your area.

In all circumstances:

- Do not dispose of power tools with domestic waste.
- Do not incinerate.
- Do not dispose of WEEE* as unsorted municipal waste.



* *Waste Electrical & Electronic Equipment.*

13. EXPLANATION OF SYMBOLS

13.1 EXPLANATION OF SYMBOLS



Read the instruction manual.



Wear face mask and safety glasses.



Wear ear defenders.



Do not abandon into the environment.



Keep out of the reach of children.



Warning!



'Eco' mode: Max. pumping depth (Meters) and flow rate (Litres per hour).



'Normal' mode: Max. pumping depth (Meters) and flow rate (Litres per hour).



Max. pressure.



Max. grain size (*i.e. less than or equal to 0.5mm*).



Net product weight (*example shown*).



Rated voltage.



Class II construction (Double insulated).



WEEE – Waste Electrical & Electronic Equipment.
Do not dispose of Waste Electrical & Electronic Equipment in with domestic rubbish.



Continuous A-Weighted Sound Pressure Level (*example shown*).



UK Conformity Assessed.



European conformity.

IPX4 Moisture ingress protection rating.

CONTACTS

Draper Tools Limited

UK: Hursley Road, Chandler's Ford, Eastleigh,
Hampshire. SO53 1YF. U.K.

EU: Oude Graaf 8
6002 NL Weert (NL)

Help Line: (023) 8049 4344

Sales Desk: (023) 8049 4333

Internet: drapertools.com

E-mail: sales@drapertools.com

General Enquiries: (023) 8026 6355

Service/Warranty Repair Agent:

For aftersales servicing or warranty repairs, please contact the Draper Tools Help Line for details of an agent in your local area.

YOUR DRAPER STOCKIST