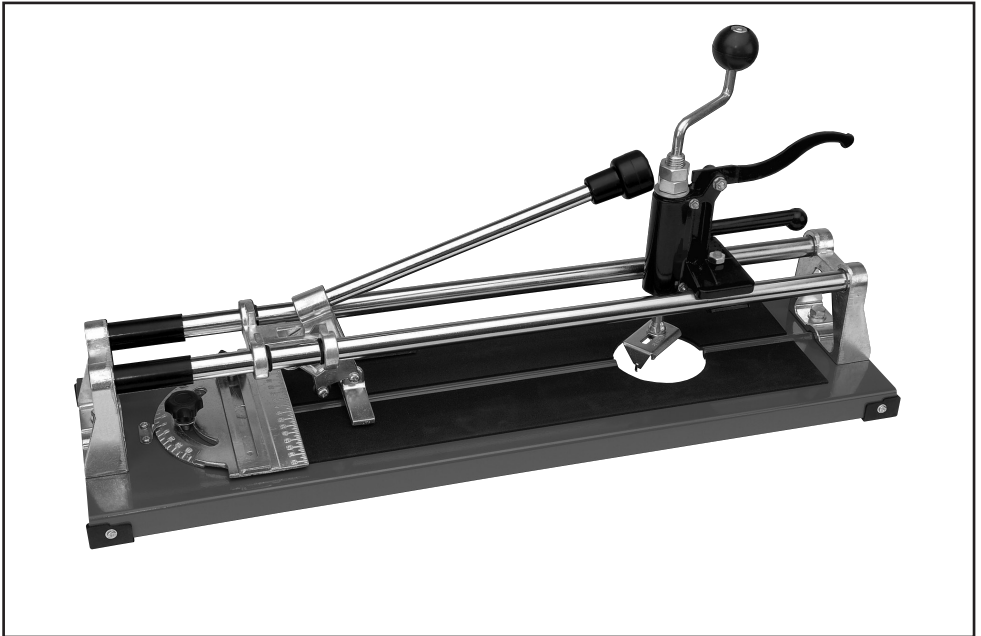


**DRAPER**<sup>®</sup>  
*Expert*

# 3-IN-1 TILE CUTTING MACHINE

24693



These instructions accompanying the product are the original instructions. This document is part of the product, keep it for the life of the product passing it on to any subsequent holder of the product. Read all these instructions before assembling, operating or maintaining this product.

This manual has been compiled by Draper Tools describing the purpose for which the product has been designed, and contains all the necessary information to ensure its correct and safe use. By following all the general safety instructions contained in this manual, it will ensure both product and operator safety, together with longer life of the product itself.

All photographs and drawings in this manual are supplied by Draper Tools to help illustrate the operation of the product.

Whilst every effort has been made to ensure the accuracy of information contained in this manual, the Draper Tools policy of continuous improvement determines the right to make modifications without prior warning.

# 1. INTRODUCTION

---

## 1.1 SCOPE


Professional quality heavy duty tile cutting machine.

Part of our Expert range, this product is intended for trade use with the quality & features to meet and exceed the expectations of the most demanding user. Any application other than that it was intended for, is considered misuse.

This product is not a toy and must not be used by children or any person with reduced physical, sensory or mental capabilities or lack of experience and knowledge, or people unfamiliar with these instructions.

Local regulations may restrict the age of the operator.

## 1.2 UNDERSTANDING THIS MANUALS SAFETY CONTENT:

 **Warning!** – Information that draws attention to the risk of injury or death.

**Caution!** – Information that draws attention to the risk of damage to the product or surroundings.

## 1.3 EXPLANATION OF SYMBOLS



Warning!  
Read the instruction manual.



Wear suitable eye/face protection.



Warning!  
Wear protective gloves.

# 2. SPECIFICATION

---

## 2.1 SPECIFICATION

Stock No. ....	24693
Part No. ....	TCM3
Straight cut max. ....	405mm
Tile thickness max. ....	16mm
Cutting at angles .....	0° to 45°
Drilling holes.....	30 to 80mm

# 3. UNPACKING AND CHECKING

---

## 3.1 PACKAGING

Carefully remove the product from the packaging and examine it for any sign of damage. Check contents against the parts shown in Fig A. If any part is damaged or missing, please contact the Draper Help Line (see

back page). Do not attempt to use the product!

The packaging material should be retained during the warranty period, in case the product needs to be returned for repair.

### **Warning!**

- Some of the packaging materials may be harmful to children. Do not leave any of these materials in reach of children.
- If any of the packaging is to be thrown away, make sure they are disposed of correctly, according to local regulations.

## 4. IDENTIFICATION – FIG.A

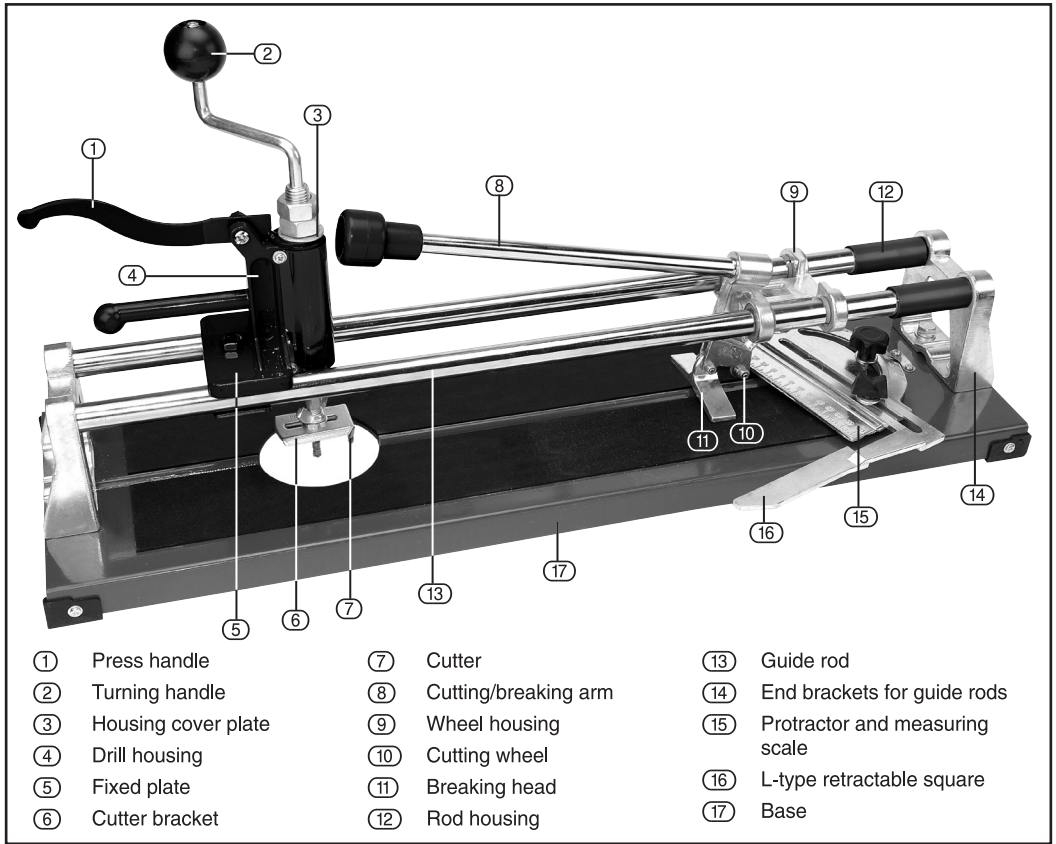


FIG.A

**Note:** For details of our full range of accessories and consumables, please visit [drapertools.com](http://drapertools.com)

## 5. OPERATION AND USE

### 5.1 STRAIGHT CUTS – FIGS.1-2

To obtain a good, clean straight line cut, it is important that the following instructions are read thoroughly before using the cutter.

The hole drilling attachment must be removed before the tile cutting can be carried out. Position the tile using the measuring scale provided, to achieve the size of cut required. Hold the tile firmly in one hand and use your other hand to draw the hand lever and the tungsten carbide tipped cutter along the glazed surface of the tile, applying even but gentle pressure.

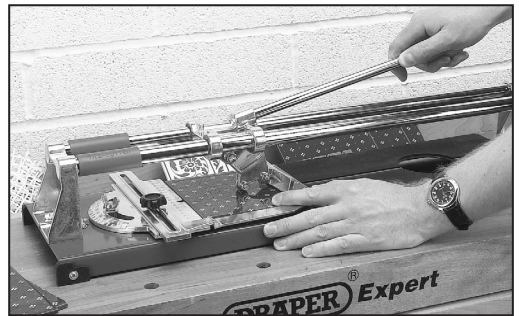


FIG. 1

After cutting through the glaze, divide the tile by placing the scored surface (facing upwards) along the raised breaking bead which runs down the centre of the machine.

Place the breaking head towards the top of the tile nearest the measuring scale, ensuring that it is evenly positioned either side of the scored line. GENTLY apply a downward pressure on the hand lever using the minimum amount of pressure necessary to break the tile along the scored line.

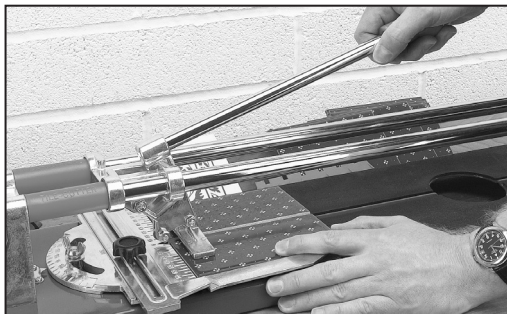


FIG. 2

**Important:** Do not allow the tungsten carbide tipped wheel to come into contact with the tile during the dividing operation. Excessive pressure on the hand lever during the dividing operation could cause uneven breaking and possible fragmentation of the tile. Maximum cutting capacity of this machine is 405mm (16") long by 16mm ( $\frac{5}{8}$ ") thick.

## 5.2 ANGLED CUTS – FIG.3.

The procedure for achieving straight line, angled cuts is basically the same as that detailed for Straight Cuts, the only difference being that the angle of the cut required must be set prior to scoring, using the measuring scale and angle indicator. The angle required can be set and adjusted by simply releasing the butterfly nut, and re-tightening prior to scoring.

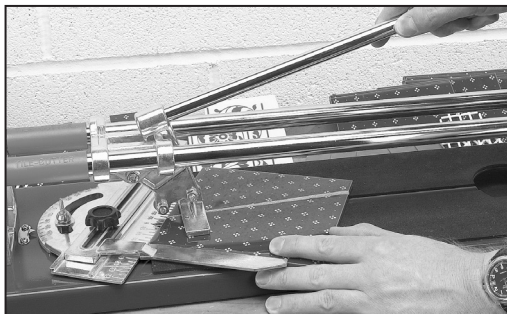


FIG. 3

**Important:** Do not allow the tungsten carbide tipped wheel to come into contact with the tile during the dividing operation. Excessive pressure on the hand lever during the dividing operation could cause uneven breaking and possible fragmentation of the tile. Maximum cutting capacity of this machine is 405mm (16") long by 16mm ( $\frac{5}{8}$ ") thick. The hole drilling attachment must be removed before the tile cutting can be carried out.

## 5.3 HOLE DRILLING – FIGS. 4-6

To remove and replace the drilling attachment, simply unscrew the 14mm nut using a wrench (not supplied). This will release the clamp holding the attachment to the tile cutting rails. When replacing the attachment, ensure the pilot drill lines up with the centre of the hole formed in the base of the machine.

**Important:** Some tiles have very hard glaze and as a result the cutter may need frequent sharpening or replacing.

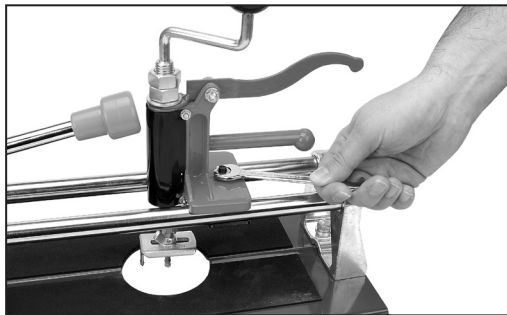


FIG. 4

Once the drilling attachment is secured in the correct position, release the butterfly nut which secures the sliding outer cutter. Using the measurement indicator and the millimetre scale provided, set the cutter for the size of hole required. Holes can be drilled within a capacity of 30 - 80mm ( $1\frac{3}{16}$ " -  $3\frac{1}{8}$ ").

Mark the tile where you require the centre of the hole to be. Squeeze together the two handles on the drilling attachment, which will raise the drilling head allowing the tile to be positioned underneath. Ensuring the pilot drill is located on the mark representing the centre of the hole, turn the cutting handle in a clockwise motion until the tile is scored and cut through.

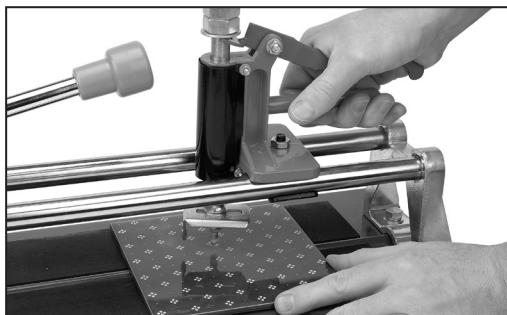


FIG. 5

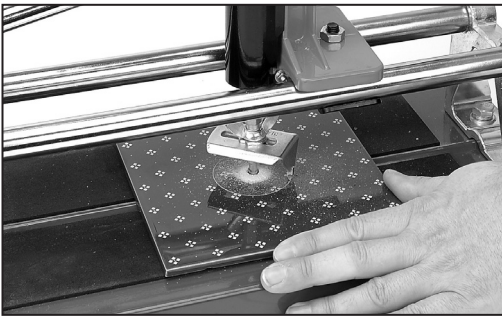


FIG. 6

## 6. MAINTENANCE

### 6.1 REPLACING TUNGSTEN CARBIDE TIPPED WHEEL – FIG. 7

To replace the tungsten carbide tipped cutting wheel, you will need a No.2 cross slot screwdriver and a 8mm wrench to remove the nut and bolt that secures the wheel in place.

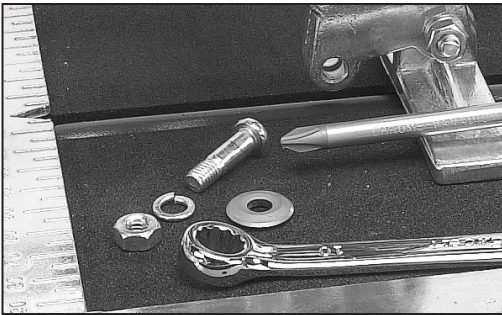


FIG. 7

Regular inspection and cleaning reduces the necessity for maintenance operations and will keep your tool in good working condition.

Do not use solvents or fuels to clean the product. When not in use, store the product in a safe, dry place.

## 7. WARRANTY

### 7.1 WARRANTY

Draper tools have been carefully tested and inspected before shipment and are guaranteed to be free from defective materials and workmanship.

Should the tool develop a fault, please return the complete tool to your nearest distributor or contact:

Draper Tools Limited

UK: Chandler's Ford, Eastleigh, Hampshire,  
SO53 1YF. England.

Telephone Sales Desk: +44 (0)23 8049 4333 or:

Product Helpline +44 (0)23 8049 4344.

A proof of purchase must be provided.

If upon inspection it is found that the fault occurring is due to defective materials or workmanship, repairs will be carried out free of charge. This product has a lifetime warranty period covering parts/labour, except where tools are hired out when the warranty period is 90 days from the date of purchase. This warranty does not apply to any consumable parts, any type of battery or normal wear and tear, nor does it cover any damage caused by misuse, careless or unsafe handling, alterations, accidents, or repairs attempted or made by any personnel other than the authorised Draper warranty repair agent.

**Note:** If the tool is found not to be within the terms of warranty, repairs and carriage charges will be quoted and made accordingly.

This warranty applies in lieu of any other warranty expressed or implied and variations of its terms are not authorised.

Your Draper warranty is not effective unless you can produce upon request a dated receipt or invoice to verify your proof of purchase within the warranty period.

Please note that this warranty is an additional benefit and does not affect your statutory rights.

**Draper Tools Limited.**

## 8. DISPOSAL

### 8.1 DISPOSAL

- At the end of the machine's working life, or when it can no longer be repaired, ensure that it is disposed of according to national regulations.
- Contact your local authority for details of collection schemes in your area.

In all circumstances:

- Do not dispose of power tools with domestic waste.
- Do not incinerate.
- Do not dispose of WEEE\* as unsorted municipal waste.



\* Waste Electrical & Electronic Equipment.