

DRAPER

EN

Original Instructions
Version 3 – March 2026

230V
**DUAL ACTION
POLISHER**

01816



**UK
CA** **CE**

1. Preface

These are the original product instructions.
Read the instruction manual in full and retain for
future reference.

Please visit drapertools.com/manuals for the latest
version of this manual and the associated parts list,
if applicable.

1.1 Product Reference

User Manual for: 230V Dual Action Polisher

Stock No: 01816

Part No: DA650SF

1.2 Revisions

Version 1: March 2018
First release

Version 2: November 2022

Version 3: March 2026

1.3 Understanding the Safety Content of This Manual



WARNING! – Situations or actions that may
result in personal injury or death.



CAUTION! – Situations or actions that may
result in damage to the product or surroundings.

Important: – Information or instructions of particular
importance.

2. Contents

1. Preface	2	5. Identification and Unpacking	8
1.1 Product Reference	2	5.1 Product Overview	8
1.2 Revisions	2	5.2 Packaging	8
1.3 Understanding the Safety Content of This Manual	2	6. Preparation Instructions	9
2. Contents	2	6.1 Adjusting the Handle	9
3. Product Introduction	3	6.2 Fitting and Removing the Backing Pad	9
3.1 Intended Use	3	7. Operating Instructions	10
3.2 Specification	3	7.1 Operating the ON/OFF Switch	10
4. Health and Safety Information	4	7.2 Variable Speed Selection	10
4.1 General Power Tool Safety Warnings	4	8. Maintenance and Troubleshooting	11
4.2 Additional Safety Warnings for Polishers	5	8.1 General Maintenance	11
4.3 Connection to the Power Supply	7	8.2 Troubleshooting	11
4.4 Residual Risk	7	9. Spares, Returns and Disposal	11
		10. Warranty	11
		11. Explanation of Symbols	12

3. Product Introduction

3.1 Intended Use

This dual action polisher is designed to be used with polishing sponges for polishing, cutting and restoring paint work. It is intended for domestic and infrequent light-duty trade use.

Any other application beyond the conditions established for use will be considered misuse. Draper Tools accepts no responsibility for improper use of this product.

Read this manual in full before attempting to assemble, operate or maintain the product, and retain it for later use.

3.2 Specification

Stock No.	01816
Part No.	DA650SF
Rated voltage	230V/50Hz
Rated input	650W
Pad diameter	125mm
Speed (no load)	2000 – 6400rpm
Spindle thread	M14
Noise emissions	
Sound pressure level	89dB (A)
Sound power level	100dB (A)
Uncertainty (K)	3dB (A)
Vibration Level	
Uncertainty (K)	1.5m/s ²
Cord length (approx.)	5m
Net weight	2kg

Important: The declared vibration total values and noise emissions values have been measured in accordance with a standard test method and may be used for comparing one tool with another. These values may also be used in a preliminary assessment of exposure.



WARNING! The vibration and noise emissions during actual use of the product can differ from the declared values depending on the type of work and the area upon which it is used. Before each use, estimate the likely exposure resulting from the actual conditions of use. Take into account all parts of the operation cycle in order to identify any safety measures required to protect the operator.

4. Health and Safety Information

4.1 General Power Tool Safety Warnings



WARNING! Read all safety warnings, instructions, illustrations and specifications provided with this power tool. Failure to follow all instructions listed below may result in electric shock, fire and/or serious injury.

Save all warnings and instructions for future reference.

The term "power tool" in the warnings refers to your mains-operated (corded) power tool or battery-operated (cordless) power tool.

Work Area Safety

- **Keep work area clean and well lit.**
 - Cluttered or dark areas invite accidents.
- **DO NOT operate power tools in explosive atmospheres, such as in the presence of flammable liquids, gases or dust.**
 - Power tools create sparks which may ignite the dust or fumes.
- **Keep children and bystanders away while operating a power tool.**
 - Distractions can cause you to lose control.

Electrical Safety

- **Power tool plugs must match the outlet. NEVER modify the plug in any way. DO NOT use any adapter plugs with earthed (grounded) power tools.**
 - Unmodified plugs and matching outlets will reduce risk of electric shock.
- **Avoid body contact with earthed or grounded surfaces, such as pipes, radiators, ranges and refrigerators.**
 - There is an increased risk of electric shock if your body is earthed or grounded.
- **DO NOT expose power tools to rain or wet conditions.**
 - Water entering a power tool will increase the risk of electric shock.
- **DO NOT abuse the cord. NEVER use the cord for carrying, pulling or unplugging the power tool. Keep cord away from heat, oil, sharp edges or moving parts.**
 - Damaged or entangled cords increase the risk of electric shock.

- **When operating a power tool outdoors, use an extension cord suitable for outdoor use.**
 - Use of a cord suitable for outdoor use reduces the risk of electric shock.
- **If operating a power tool in a damp location is unavoidable, use a residual current device (RCD) protected supply.**
 - Use of an RCD reduces the risk of electric shock.

Personal Safety

- **Stay alert, watch what you are doing and use common sense when operating a power tool. DO NOT use a power tool while you are tired or under the influence of drugs, alcohol or medication.**
 - A moment of inattention while operating power tools may result in serious personal injury.
- **Use personal protective equipment. ALWAYS wear eye protection.**
 - Protective equipment such as a dust mask, non-skid safety shoes, hard hat or hearing protection used for appropriate conditions will reduce personal injuries.
- **Prevent unintentional starting. Ensure the switch is in the 'OFF' position before connecting to power source, picking up or carrying the tool.**
 - Carrying power tools with your finger on the switch or energising power tools that have the switch on invites accidents.
- **Remove any adjusting key or wrench before turning the power tool on.**
 - A wrench or a key left attached to a rotating part of the power tool may result in personal injury.
- **DO NOT overreach. Keep proper footing and balance at all times.**
 - This enables better control of the power tool in unexpected situations.
- **Dress properly. DO NOT wear loose clothing or jewellery. Keep your hair, clothing and gloves away from moving parts.**
 - Loose clothes, jewellery or long hair can be caught in moving parts.
- **If devices are provided for the connection of dust extraction and collection facilities, ensure these are connected and properly used.**
 - Use of dust collection can reduce dust-related hazards.

- **DO NOT let familiarity gained from frequent use of tools allow you to become complacent and ignore tool safety principles.**
 - A careless action can cause severe injury within a fraction of a second.

Power Tool Use and Care

- **DO NOT force the power tool. Use the correct power tool for your application.**
 - The correct power tool will do the job better and safer at the rate for which it was designed.
- **DO NOT use the power tool if the switch does not turn it on and off.**
 - Any power tool that cannot be controlled with the switch is dangerous and must be repaired.
- **Disconnect the plug from the power source and/or remove the battery pack, if detachable, from the power tool, before making any adjustments, changing accessories or storing power tools.**
 - Such preventive safety measures reduce the risk of starting the power tool accidentally.
- **Store idle power tools out of the reach of children and DO NOT allow persons unfamiliar with the power tool or these instructions to operate the power tool.**
 - Power tools are dangerous in the hands of untrained users.
- **Maintain power tools and accessories. Check for misalignment or binding of moving parts, breakage of parts and any other condition that may affect the power tool's operation. If damaged, have the power tool repaired before use.**
 - Many accidents are caused by poorly maintained power tools.
- **Keep cutting tools sharp and clean.**
 - Properly maintained cutting tools with sharp cutting edges are less likely to bind and are easier to control.
- **Use the power tool, accessories and tool bits etc. in accordance with these instructions, taking into account the working conditions and the work to be performed.**
 - Use of the power tool for operations different from those intended could result in a hazardous situation.

- **Keep handles and grasping surfaces dry, clean and free from oil and grease.**
 - Slippery handles and grasping surfaces do not allow for safe handling and control of the tool in unexpected situations.

Service

- **Have your power tool serviced by a qualified repair person using only identical replacement parts.**
 - This will ensure that the safety of the power tool is maintained.

4.2 Additional Safety Warnings for Polishers

- **This power tool is intended to function as a polisher. Read all safety warnings, instructions, illustrations and specifications provided with this power tool.**
 - Failure to follow all instructions listed below may result in electric shock, fire and /or serious injury.
- **Operations such as grinding, sanding, wire brushing or cutting-off are not recommended to be performed with this power tool.**
 - Operations for which the power tool was not designed may create a hazard and cause personal injury.
- **DO NOT use accessories which are not specifically designed and recommended by the tool manufacturer.**
 - Just because the accessory can be attached to your power tool, it does not assure safe operation.
- **The rated speed of the accessory must be at least equal to the maximum speed marked on the power tool.**
 - Accessories running faster than their rated speed can break and fly apart.
- **The outside diameter and the thickness of your accessory must be within the capacity rating of your power tool.**
 - Incorrectly sized accessories cannot be adequately guarded or controlled.

4. Health and Safety Information

- **Do not use a damaged accessory. Before each use inspect the accessory such as backing pads for cracks, tear or excess wear. If power tool or accessory is dropped, inspect for damage or install an undamaged accessory. After inspecting and installing an accessory, position yourself and bystanders away from the plane of the rotating accessory and run the power tool at maximum no-load speed for one minute.**

- Damaged accessories will normally break apart during this test time.

- **Wear personal protective equipment. Depending on application, use face shield, safety goggles or safety glasses. As appropriate, wear dust mask, hearing protectors, gloves and workshop apron capable of stopping small abrasive or workpiece fragments.**

- The eye protection must be capable of stopping flying debris generated by various operations. The dust mask or respirator must be capable of filtering particles generated by your operation. Prolonged exposure to high intensity noise may cause hearing loss.

- **Keep bystanders a safe distance away from work area. Anyone entering the work area must wear personal protective equipment.**

- Fragments of workpiece or of a broken accessory may fly away and cause injury beyond immediate area of operation..

- **Position the cord clear of the spinning accessory.**

- If you lose control, the cord may be cut or snagged and your hand may be pulled into the spinning accessory.

- **NEVER lay the power tool down until the accessory has come to a complete stop.**

- The spinning accessory may grab the surface and pull the power tool out of your control.

- **DO NOT run the power tool while carrying it at your side.**

- Accidental contact with the spinning accessory could snag your clothing, pulling the accessory into your body.

- **Regularly clean the power tool's air vents.**

- The motor's fan will draw the dust inside the housing and excessive accumulation of powdered metal may cause electrical hazards.

- **DO NOT operate the power tool near flammable materials.**

- Sparks could ignite these materials.

- **DO NOT use accessories that require liquid coolants.** Using water or other liquid coolants may result in electrocution or shock.

Further safety instructions for all operations

Kickback and related warnings

- Kickback is a sudden reaction to a pinched or snagged rotating backing pad, or any other accessory. Pinching or snagging causes rapid stalling of the rotating accessory which in turn causes the uncontrolled power tool to be forced in the direction opposite of the accessory's rotation at the point of binding.

- Kickback is the result of power tool misuse and/or incorrect operating procedures or conditions and can be avoided by taking proper precautions as given below.

- Maintain a firm grip on the power tool and position your body and arm to allow you to resist kickback forces. ALWAYS use auxiliary handle, if provided for maximum control over kickback or torque reaction during start up.

- The operator can control kickback forces, if proper precautions are taken.

- **NEVER place your hand near the rotating accessory.**

- Accessory may kickback over your hand.

- **DO NOT position your body in the area where power tool will move if kickback occurs.**

- Kickback will propel the tool in direction opposite to the wheel's movement at the point of snagging.

- **Use special care when working corners, sharp edges etc. Avoid bouncing and snagging the accessory.**

- Corners, sharp edges or bouncing have a tendency to snag the rotating accessory and cause loss of control or kickback.

- **Do not allow any loose portion of the polishing bonnet or its attachment strings to spin freely. Tuck away or trim any loose attachment strings.**

- Loose and spinning attachment strings can entangle your fingers or snag on the workpiece.

4.3 Connection to the Power Supply



CAUTION!

Risk of electric shock. **DO NOT** open.

This appliance is supplied with an approved plug and cord for your safety.

If the power supply cord is damaged, it must be replaced by Draper Tools, an authorised service agent or similarly qualified personnel in order to avoid a hazard.

The damaged or incomplete plug, when cut from the cord, shall be disabled to prevent connection to a live electrical outlet.

This appliance is Class II† and is designed for connection to a power supply matching that detailed on the rating label and compatible with the plug fitted.


The value of the fuse fitted is marked on the pin face of the plug. Should the fuse need replacing, use a small plain-slot screwdriver to remove the fuse cover. Ensure the substitute is of the correct rating, approved to BS 1362 and ASTA or BS Kite marked. This should only be performed by suitably qualified personnel.

ASTA 

BSI 

Important: If an extension lead is required, use an approved and compatible lead rated for this appliance.

Unwind the entire cable and follow all the instructions supplied with the extension lead.

†Double insulated : This product requires no earth connection as supplementary insulation is applied to the basic insulation to protect against electric shock in the event of failure of the basic insulation.

4.4 Residual Risk

The safety instructions in this manual cannot account for all possible conditions and situations that may occur. Exercise common sense and caution when using this product and protect against any additional conceivable risks.

5. Identification and Unpacking

Carefully remove the product from the packaging and examine it for any signs of damage that may have occurred during shipment. If any part is damaged or

missing, do not attempt to use the product. Please contact the Draper Helpline; contact details can be found at the back of this manual.

5.1 Product Overview



- | | | |
|-----------------------|-------------------------------|-------------------|
| (1) Adjustable handle | (4) Hook and loop backing pad | (7) Cord and plug |
| (2) ON/OFF switch | (5) Polishing sponge | (8) Spanner |
| (3) Body | (6) Variable speed control | (9) Hex key |

5.2 Packaging

Keep the product packaging for the duration of the warranty period in case the product needs to be returned for repair.

WARNING! Keep packaging materials out of reach of children. Dispose of packaging correctly and responsibly and in accordance with local regulations.

Please visit drapertools.com for our full range of accessories and consumables.

6. Preparation Instructions

EN

Important: Before preparing or adjusting this product, read and understand all the safety instructions listed in this manual.

6.1 Adjusting the Handle



Fig. 1

- Undo the hex bolts with the hex. key (9) supplied and fit the handle.
- While the bolts are loose move the handle to the best orientation to suit the operator and the required application. Then retighten.

6.2 Fitting and Removing the Backing Pad

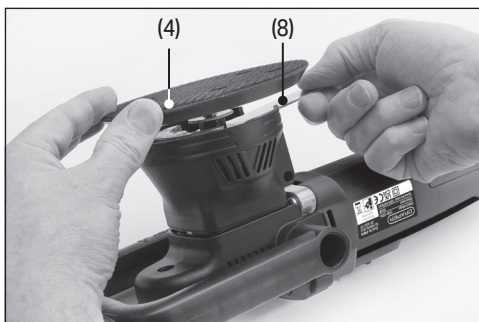


Fig. 2

Backing Pad Removal

1. Use the supplied spanner (8) to loosen the nut attaching the backing pad (4).
2. Firmly hold the nut with the spanner and turn the backing pad anticlockwise to remove.



Fig. 3

Refitting the Backing Pad

- To refit the backing pad, repeat the removal steps in the reverse order.
- Ensure that the spacing ring is in place before fitting the backing pad.
- Then align a hook and loop polishing sponge to the backing pad – ensuring it is fitted centrally. Press down to secure.

7. Operating Instructions

Important: Before operating this product, read and understand all the safety instructions listed in this manual. Ensure that the product is fully assembled and correctly prepared for use.

7.1 Operating the ON/OFF Switch

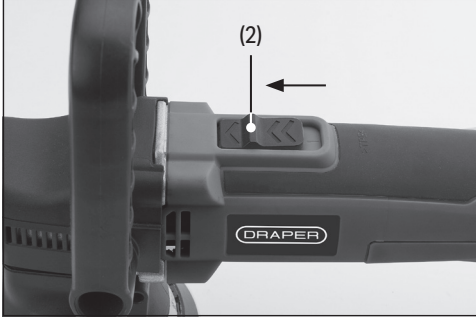


Fig. 4

- **To switch on** – Press down on the back of the switch (2) and push forward to the **ON** position. The switch will be locked on.



Fig. 5

- **To switch off** – Press down on the back of the switch to release to the **OFF** position.

7.2 Variable Speed Selection

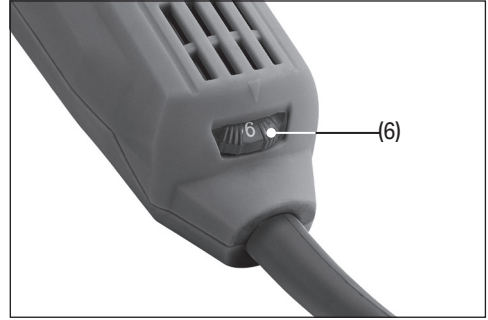


Fig. 6

- Rotate the speed selector (6) to select the speed in accordance with the required application and the cutting paste/compound or polish being used.

Important; Check the manufacturer's instruction for the correct usage and speed required for the paste/ polish being used.

Setting	Approx Speed (RPM)	Recommended Application
1	2000	Waxing and buffering
2	3000	Waxing and buffering
3	3500	Polishing and cleaning
4	4500	Polishing and cleaning
5	5500	Removing paint defects and oxidation
6	6400	Removing paint defects and oxidation

Important:

- Before applying to a vehicle, it is strongly recommended to test the polisher and medium being used on a small unobtrusive area.
- **DO NOT** apply excessive pressure when operating the polisher. Increased pressure does not give a higher working speed and may result in damage to the polisher or vehicle surface.

8. Maintenance and Troubleshooting

Important: Always unplug the tool from the power supply before carrying out any cleaning, servicing or maintenance.

If the power supply cord is damaged, it must be replaced by Draper Tools, an authorised service agent or similarly qualified personnel in order to avoid a hazard.

8.1 General Maintenance

- Regular inspection and cleaning will reduce the necessity for maintenance operations and will keep your tool in good working condition.
- All maintenance, servicing and repairs should be carried out by a qualified technician using recommended replacement parts.
- Periodically clear the air vents using dry compressed air. Wear safety glasses when using compressed air.
- Clean the plastic parts with a soft damp cloth. **DO NOT use abrasives or solvents to clean this product.**
- When not in use, store in the bag supplied in a safe, dry and childproof location.

8.2 Troubleshooting

Problem	Possible Cause	Remedy
Motor does not start.	Fuse blown in plug.	Check and replace fuse.
	Brushes worn/other issues.	Contact Draper Tools for support.
Tool vibrates.	Backing pad damaged or out of balance.	Replace backing pad.

9. Spares, Returns and Disposal

For spare parts, servicing, and repair and replacement options, please contact the Draper Tools Product Helpline for details of your nearest authorised agent.

Draper Tools will endeavour to hold any spare parts, if applicable, for seven years from the date that it sells the final matching stock item.

Any servicing or repairs carried out by unauthorised personnel or installation of spare parts not supplied by Draper Tools will invalidate your warranty.

At the end of its working life, dispose of the product responsibly and in line with local regulations. Recycle where possible.

- **DO NOT** dispose of this product with domestic waste; most local authorities provide appropriate recycling facilities.



10. Warranty

24 months from date of purchase –
Visit drapertools.com/warranty for more information.

However, if the tools are hired out, the warranty period is reduced to 90 days from the date of purchase.

11. Explanation of Symbols



Read the instruction manual



Wear face mask and safety glasses



Wear ear defenders



Protective clothing



Warning!



Class II construction
(Double insulated)



WEEE –
Waste Electrical & Electronic Equipment

Do not dispose of Waste Electrical & Electronic Equipment
in with domestic rubbish



European conformity



UK Conformity Assessed

Contact Details

Draper Tools Limited

Hursley Road
Chandler's Ford
Eastleigh
Hampshire
SO53 1YF
UK

Website: drapertools.com

Email: sales@drapertools.com

Product Helpline: +44 (0) 23 8049 4344

Telephone Sales Desk: +44 (0) 23 8049 4333

General Enquiries: +44 (0) 23 8026 6355

Draper Tools Europe B.V.

Oude Graaf 8
6002 NL
Weert
Netherlands

Please contact the Draper Tools Product Helpline for repair and servicing enquiries.