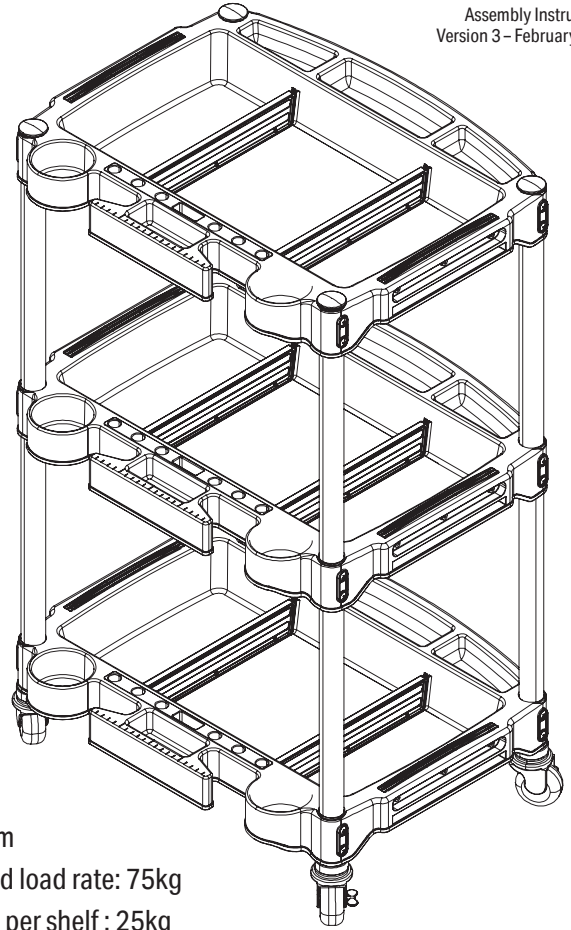


3 TEIR WORKSHOP TROLLEY

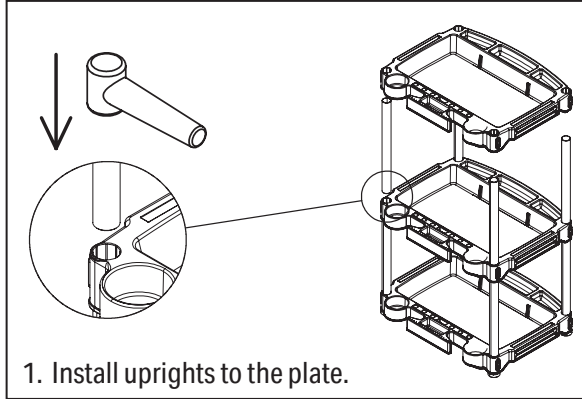
04612



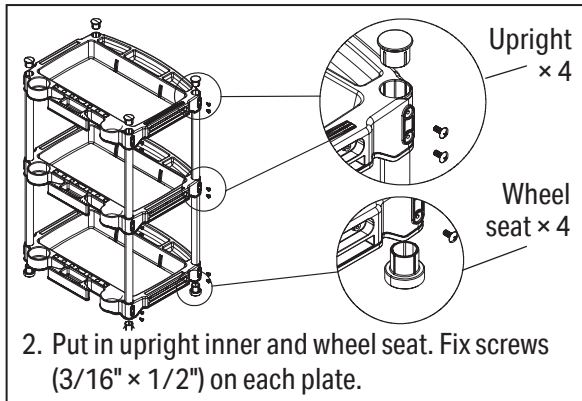
575 × 450 × 890mm

Maximum combined load rate: 75kg

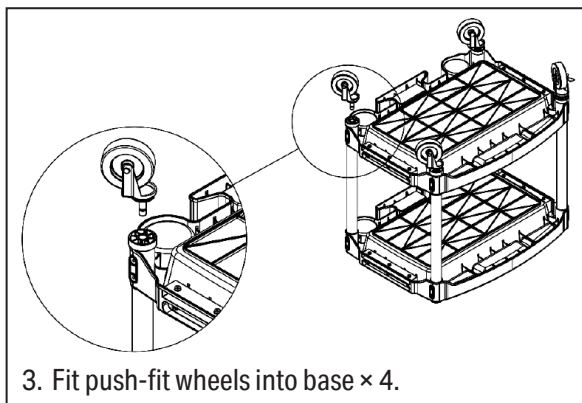
Maximum load rate per shelf : 25kg



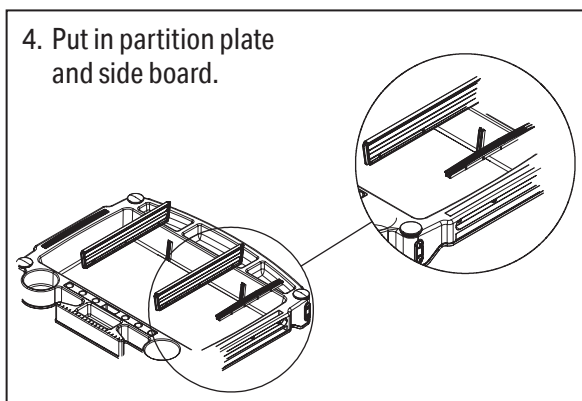
1. Install uprights to the plate.



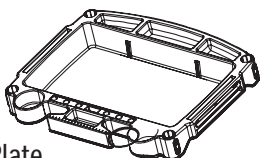
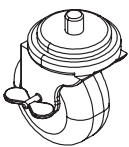



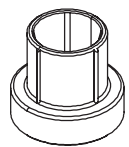
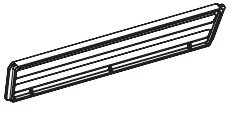
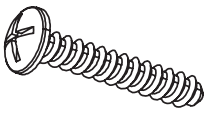
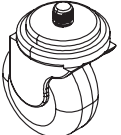
2. Put in upright inner and wheel seat. Fix screws (3/16" × 1/2") on each plate.



3. Fit push-fit wheels into base × 4.



4. Put in partition plate and side board.

Description	QTY	Description	QTY
 Plate	3	 Swivel Wheel with Brake	2
 Side Board	6	 Upright Inner	4
 Upright	8	 Wheel Seat	4
 Partition Plate	6	 Screw 3/16" × 1/2"	24
 Swivel Wheel	2		