

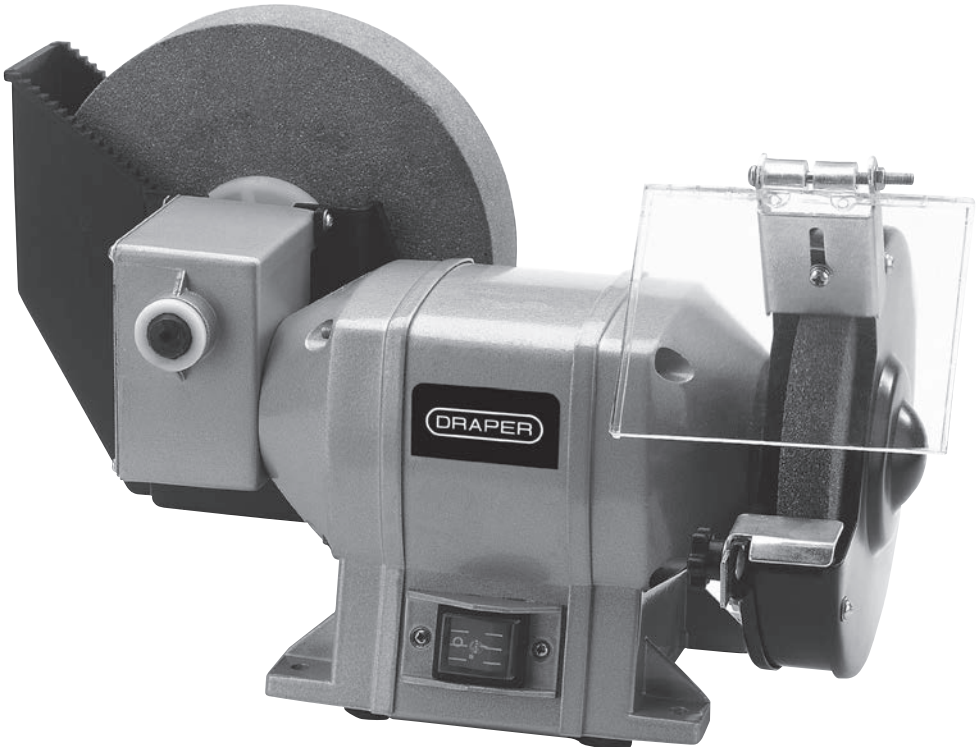
**DRAPER**

**EN**

Original Instructions  
Version 3 - March 2026

230V WET & DRY  
**BENCH  
GRINDER**

**78456**



**UK  
CA** **CE**

# 1. Preface

These are the original product instructions. This document is part of the product; retain it for the life of the product, passing it on to subsequent holders. Read this manual in full before attempting to assemble, operate or maintain this product.

This Draper Tools manual describes the purpose of the product and contains all the necessary information to ensure its correct and safe use. Following all the instructions and guidance in this manual will ensure the safety of both the product and the operator and increase the lifespan of the product.

All photographs and drawings within this manual are supplied by Draper Tools to help illustrate correct operation of the product.

Every effort has been made to ensure the information contained in this manual is accurate. However, Draper Tools reserves the right to amend this document without prior warning. Always use the latest version of the product manual.

## 1.1 Product Reference

**User Manual for:** 230V Wet & Dry Bench Grinder

**Stock No:** 78456

**Part No:** GWD200A

## 1.2 Revisions

**Version 1:** March 2007  
First release

**Version 2:** January 2021

**Version 3:** March 2026

As our manuals are continually updated, always ensure that the latest version is used.

Please visit [drapertools.com/manuals](http://drapertools.com/manuals) for the latest version of this manual and the associated parts list, if applicable.

## 1.3 Understanding the Safety Content of This Manual



**WARNING!** – Situations or actions that may result in personal injury or death.



**CAUTION!** – Situations or actions that may result in damage to the product or surroundings.

**Important:** – Information or instructions of particular importance.

## 1.4 Copyright © Notice

Copyright © Draper Tools Limited.

Permission is granted to reproduce this manual for personal and educational use **ONLY**. Commercial copying, redistribution, hiring or lending is strictly prohibited.

No part of this manual may be stored in a retrieval system or transmitted in any other form or means without written permission from Draper Tools Limited.

In all cases, this copyright notice must remain intact.

1. Preface	2
1.1 Product Reference	2
1.2 Revisions	2
1.3 Understanding the Safety Content	2
1.4 Copyright © Notice	2
2. Contents	3
3. Product Introduction	4
3.1 Intended Use	4
3.2 Specification	4
4. Health and Safety Information	5
4.1 General Health and Safety Instructions for Power Tool use	5
4.2 Specific Safety Instructions for Bench Grinders	6
4.3 Safety Recommendations for the correct use of Abrasive Products	7
4.4 Connection to the Power Supply	7
4.5 Residual Risk	7
5. Identification and Unpacking	8
5.1 Product Overview	8
5.2 Packaging	8
6. Preparation Instructions	9
6.1 Fitting Spark Deflector and Eye Shield	9
6.2 Fitting the Tool Rest	9
6.3 Bench Mounting the Grinder	9
7. Operating Instructions	10
7.1 Fitting and Replacing the Grinding Wheel	10
7.2 Fitting and Replacing the Whetstone	10
7.3 Grinding & Honing	11
7.4 Useful Tips	11
8. Maintenance and Troubleshooting	12
8.1 General Maintenance	12
8.2 Troubleshooting	12
9. Spares, Returns and Disposal	13
10. Warranty	13
11. Explanation of Symbols	14

## 3. Product Introduction

---

### 3.1 Intended Use

This bench grinder is designed to be used with an abrasive wheel for hand grinding operations, such as sharpening drill bits, chisels and screwdrivers and removing excess metal from workpieces.

Any other application beyond the conditions established for use will be considered misuse. Draper Tools accepts no responsibility for improper use of this product.

This product is intended for domestic and infrequent light-duty trade use.

Read this manual in full before attempting to assemble, operate or maintain the product, and retain it for later use.

### 3.2 Specification

Stock No.	78456
Part No.	GWD200A
Rated voltage	230V/50Hz
Rated input	250W
Speeds (no load)	
Dry stone wheel	3,000rpm
Whetstone	134rpm
Grinding wheel dimensions	
Dry stone wheel (80 grit)	150mm (Bore 12.7mm)
Whetstone (800 grit)	200mm (bore 20mm)
Cord length (approx.)	2M
Machine dimensions	425 X 260 X 270mm
Net weight	10kg

## 4.1 General Health and Safety Instructions for Power Tool use



**WARNING!** Read all safety warnings, instructions, illustrations and specifications provided with this power tool.

Failure to follow all instructions listed below may result in electric shock, fire and/or serious injury.

Save all warnings and instructions for future reference.

The term 'power tools' in the warnings refers to your mains-operated (corded) power tool or battery-operated (cordless) power tool.

### Work Area Safety

- **Keep work area clean and well lit.**
  - Cluttered or dark areas invite accidents.
- **DO NOT operate power tools in explosive atmospheres, such as in the presence of flammable liquids, gases or dust.**
  - Power tools create sparks which may ignite the dust or fumes.
- **Keep children and bystanders away while operating a power tool.**
  - Distractions can cause you to lose control.

### Electrical Safety

- **Power tool plugs must match the outlet. NEVER modify the plug in any way. DO NOT use any adapter plugs with earthed (grounded) power tools.**
  - Unmodified plugs and matching outlets will reduce the risk of electric shock.
- **Avoid body contact with earthed or grounded surfaces, such as pipes, radiators, ranges and refrigerators.**
  - There is an increased risk of electric shock if your body is earthed or grounded.
- **DO NOT expose power tools to rain or wet conditions.**
  - Water entering a power tool will increase the risk of electric shock.
- **DO NOT abuse the cord. NEVER use the cord for carrying, pulling or unplugging the power tool. Keep cord away from heat, oil, sharp edges or moving parts.**
  - Damaged or entangled cords increase the risk of electric shock.
- **When operating a power tool outdoors, use an extension cord suitable for outdoor use.**

- Use of a cord suitable for outdoor use reduces the risk of electric shock.

- **If operating a power tool in a damp location is unavoidable, use a residual current device (RCD) protected supply.**

- Use of an RCD reduces the risk of electric shock.

### Personal Safety

- **Stay alert, watch what you are doing and use common sense when operating a power tool. DO NOT use a power tool while you are tired or under the influence of drugs, alcohol or medication.**
  - A moment of inattention while operating power tools may result in serious personal injury.
- **Use personal protective equipment. ALWAYS wear eye protection.**
  - Using appropriate protective equipment, such as a dust mask, non-skid safety shoes, hard hat or hearing protection, will reduce personal injuries.
- **Prevent unintentional starting. Ensure the switch is in the off position before connecting to a power source and/or battery pack, picking up or carrying the tool.**
  - Carrying power tools with your finger on the switch or energising power tools that have the switch on invites accidents.
- **Remove any adjusting key or wrench before turning the power tool on.**
  - A wrench or a key left attached to a rotating part of the power tool may result in personal injury.
- **DO NOT overreach. Keep proper footing and balance at all times.**
  - This enables better control of the power tool in unexpected situations.
- **Dress properly. DO NOT wear loose clothing or jewellery. Keep your hair and clothing away from moving parts.**
  - Loose clothes, jewellery or long hair can be caught in moving parts.
- **If devices are provided for the connection of dust extraction and collection facilities, ensure these are connected and properly used.**
  - Use of dust collection can reduce dust-related hazards.
- **DO NOT let familiarity gained from frequent use of tools allow you to become complacent and ignore tool safety principles.**
  - A careless action can cause severe injury within a fraction of a second.

## 4. Health and Safety Information

---

### Power Tool Use and Care

- **DO NOT force the power tool. Use the correct power tool for your application.**
  - The correct power tool will do the job better and safer at the rate for which it was designed.
- **DO NOT use the power tool if the switch does not turn it on and off.**
  - Any power tool that cannot be controlled with the switch is dangerous and must be repaired.
- **Disconnect the plug from the power source and/or remove the battery pack, if detachable, from the power tool before making any adjustments, changing accessories or storing power tools.**
  - Such preventive safety measures reduce the risk of starting the power tool accidentally.
- **Store idle power tools out of the reach of children and DO NOT allow anyone unfamiliar with the power tool or these instructions to operate the power tool.**
  - Power tools are dangerous in the hands of untrained users.
- **Maintain power tools and accessories. Check for misalignment or binding of moving parts, breakage of parts and any other condition that may affect the power tool's operation. If damaged, have the power tool repaired before use.**
  - Many accidents are caused by poorly maintained power tools.
- **Keep cutting tools sharp and clean.**
  - Properly maintained cutting tools with sharp cutting edges are less likely to bind and are easier to control.
- **Use the power tool, accessories and tool bits, etc., in accordance with these instructions, taking into account the working conditions and the work to be performed.**
  - Use of the power tool for operations different from those intended could result in a hazardous situation.
- **Keep handles and grasping surfaces dry, clean and free from oil and grease.**
  - Slippery handles and grasping surfaces do not allow for safe handling and control of the tool in unexpected situations.

### Service

- **Have your power tool serviced by a qualified repair person using only identical replacements parts.**
  - This will ensure that the safety of the power tool is maintained.

### 4.2 Specific Safety Instructions for Bench Grinders

- **DO NOT use a damaged accessory. Before each use, inspect the accessory such as abrasive wheels for chips and cracks. After inspecting and installing an accessory, position yourself and bystanders away from the plane of the rotating accessory and run the power tool at maximum no-load speed for one minute.**
  - Damaged accessories will normally break apart during this test time.
- **The rated speed of the accessory must be at least equal to the maximum speed marked on the power tool.**
  - Accessories running faster than their rated speed can break and fly apart.
- **NEVER grind on the sides of a grinding wheel.**
  - Grinding on the side can cause the wheel to break and fly apart.
- Ensure that the wheel dimensions are compatible with the grinder.
- Abrasive wheels shall be stored and handled with care, in accordance with manufacturer's instructions.
- Ensure that mounted wheels and points are fitted in accordance with the manufacturer's instructions.
- Ensure that blotters are used when they are provided with the bonded abrasive product and when they are required.
- Ensure the bench grinder is stable and secured before use.
- Only grinding operations for which the abrasive product is suitable shall be carried out.
- **NEVER** use the bench grinder without the guards or spark deflector fitted.
- **DO NOT** use separate reducing bushings or adaptors to adapt large hole abrasive wheels.
- For tools intended to be fitted with a threaded hole wheel, ensure that the thread in the wheel is long enough to accept the spindle length.
- Check that the workpiece is properly supported.
- Ensure that sparks resulting from use **DO NOT** create a hazard. For example: ensure sparks do not hit anyone or ignite flammable substances.
- Ensure that ventilation openings are kept clear when working in dusty conditions. If it should become necessary to clear dust, first disconnect the tool from the mains supply, use non-metallic objects and avoid damaging internal parts.

- **ALWAYS** use eye and ear protection.
- Personal protective equipment such as a dust mask, gloves, helmet and apron should be worn.
- The wheel continues to rotate after the tool is switched off.
- Check for damaged parts before using the grinder.
  - Carefully check the guard or other part that is damaged to determine if it will operate properly and perform its intended function.
  - Check for alignment of moving parts, free running of moving parts, breakage of parts, mounting and any other conditions that may affect its operation.
  - A guard or other part that is damaged should be repaired or replaced by an authorised service centre unless otherwise indicated in this instruction manual.
  - Have defective switches replaced by an authorised service centre. **DO NOT** use the grinder if the switch does not turn it on and off.

### 4.3 Safety Recommendations for the correct use of Abrasive Products

- Bonded abrasive products are breakable and shall therefore be handled with utmost care. The use of damaged, improperly mounted or used abrasive products is dangerous and can cause serious injuries.
- Abrasive products must be handled and transported with care. Abrasive products must be stored in such a manner that they are not subjected to mechanical damages and harmful environmental influences.
- Information on the label of the abrasive product stating restrictions of use, safety indications or any other instructions must be followed. In case of doubt concerning the selection of abrasive products, the user shall request information from the manufacturer or supplier.
- **Visual inspection and ring test.** Abrasive products must be subjected to a visual inspection as received before mounting. In addition, a ring test shall be executed for vitrified wheels with a diameter over 80mm. Damaged abrasive products shall be destroyed.
- **Mounting before starting and information for grinding.** The mounting of abrasive products shall be carried out according to the instructions provided by the wheel and the machine manufacturers. Mounting of abrasive products must be carried out by a qualified

trained person. After initial mounting, the wheel must be tested by running for a reasonable time. The specified maximum operating speed of the wheel shall not be exceeded.

### 4.4 Connection to the Power Supply



**CAUTION! Risk of electric shock. DO NOT open.**

This appliance is supplied with an approved plug and cord for your safety.

If the power supply cord is damaged, it must be replaced by Draper Tools, an authorised service agent or similarly qualified personnel in order to avoid a hazard.

The damaged or incomplete plug, when cut from the cord, must be disabled to prevent connection to a live electrical outlet.

This product is Class I\* and is designed for connection **ONLY** to a power supply matching that detailed on the rating label and compatible with the plug fitted.

The value of the fuse fitted is marked on the pin face of the plug. Should the fuse need replacing, ensure the substitute is of the correct rating, approved to BS 1362 and ASTA or BS Kite marked. This should only be performed by suitably qualified personnel.

ASTA



BSI



If an extension lead is required, use an approved and compatible lead rated for this appliance.

**Important: ALWAYS** follow the extension lead instructions regarding maximum load while the cable is wound. If in doubt, unwind the entire cable. A coiled extension lead generates heat which could melt the lead and cause a fire.

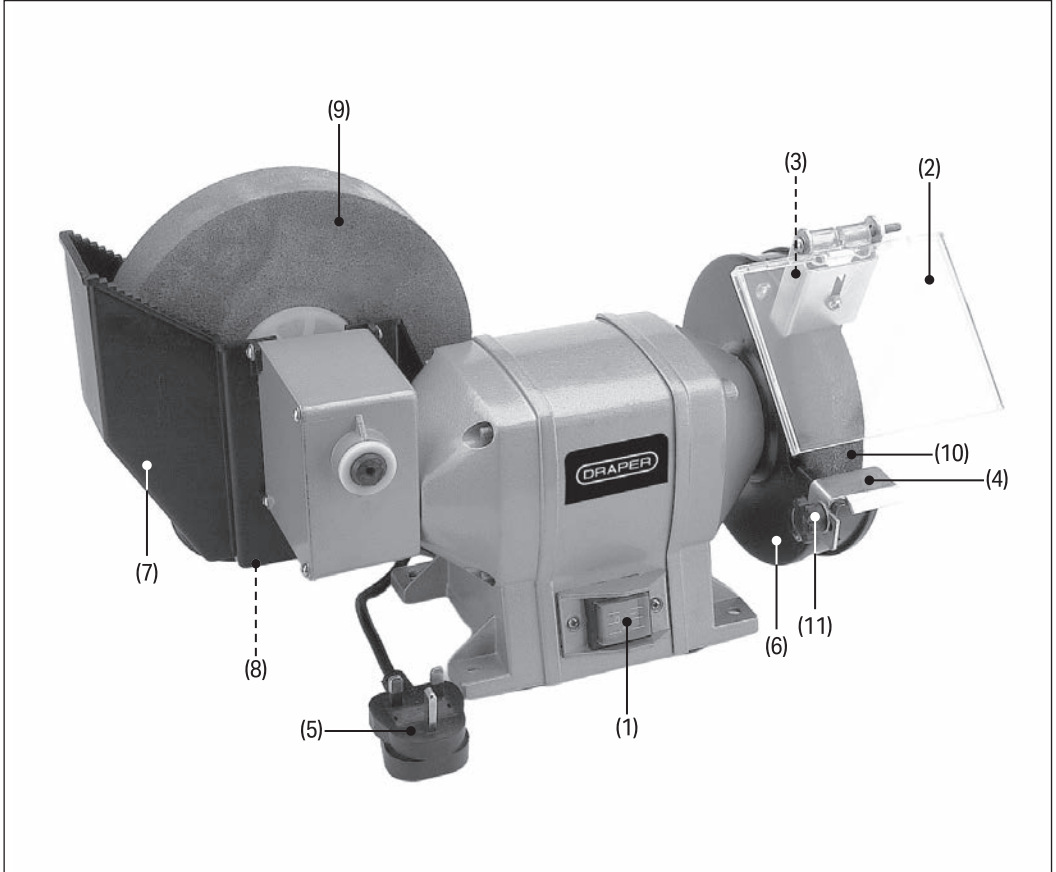
\*Earthed Ⓛ: This product requires an earth connection to protect against electric shock from accessible conductive parts in the event of a failure of the basic insulation.

### 4.5 Residual Risk

The safety instructions in this manual cannot account for all possible conditions and situations that may occur. Exercise common sense and caution when using this product and protect against any additional conceivable risks.

# 5. Identification and Unpacking

## 5.1 Product Overview



- (1) ON/OFF switch
- (2) Eye shield
- (3) Spark deflector
- (4) Tool rest
- (5) Plug and cord
- (6) Wheel guard

- (7) Reservoir
- (8) Drain bung
- (9) Whetstone
- (10) Grinding wheel
- (11) Locking knob

Please visit [drapertools.com](http://drapertools.com) for our full range of accessories and consumables.

## 5.2 Packaging

Keep the product packaging for the duration of the warranty period in case the product needs to be returned for repair.

**WARNING! Keep packaging materials out of reach of children. Dispose of packaging correctly and responsibly and in accordance with local regulations.**

**Important:** Before preparing or adjusting this product, read and understand all the safety instructions listed in this manual. Unplug from the power supply before carrying out any adjustment, servicing or maintenance.

## 6.1 Fitting Spark Deflector and Eye Shield (Fig.1 – Fig.2)

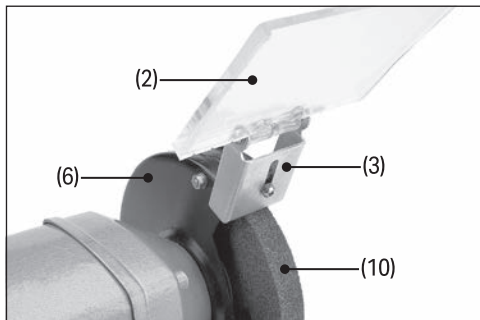


Fig. 1

1. Fit the spark deflector (3) and eye shield (2) to the wheel guard (6) using the screw provided.
2. Adjust the spark deflector so there is approximately 1.5mm gap between the face of the grinding wheel (10) and the edge of the deflector.

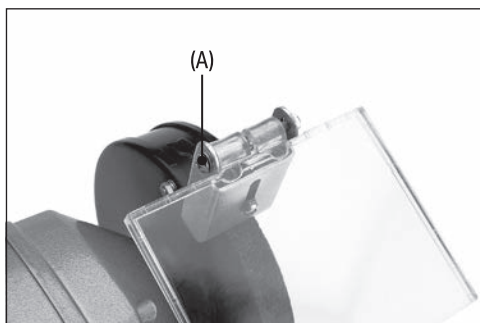


Fig. 2

3. Select the required position for the eye shield and tighten the nut and bolt (A).
- **DO NOT** overtighten the nut as this may crack the shield.

## 6.2 Fitting the Tool Rest (Fig.3)

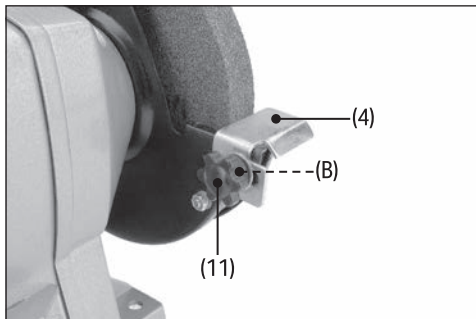


Fig. 3

- Fit the tool rest (4) to the inner edge of the wheel guard using locking knob (11) on bolt (B).
- Adjust the rest so there is approximately 1.5mm between the grinding wheel face and the tool rest.

## 6.3 Bench Mounting the Grinder (Fig.4)



Fig. 4

- Securely bolt the grinder to a suitable workbench through the predrilled fixings points in the base (fixings not supplied).
- Ensure there is enough clear space around the grinder to accommodate large items.
- To reduce vibrations, use a vibration absorption mat.

## 7. Operating Instructions

**Important:** Before operating this product, read and understand all the safety instructions listed in this manual. Ensure that the product is fully assembled and correctly prepared for use.

### 7.1 Fitting and Replacing the Grinding Wheel (Fig.5)

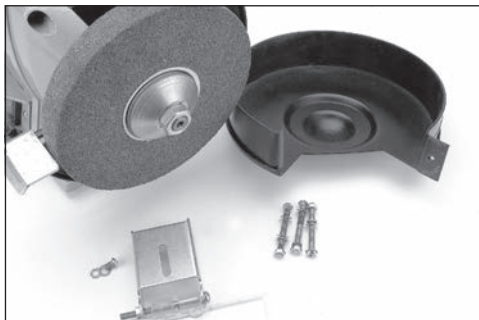


Fig. 5

#### Removing the Grinding Wheel

- Loosen the screws and nuts holding the wheel guard in place and remove.
- Hold the wheel and remove the locking nut and flange.
- Slide off the old grinding wheel.

#### Fitting a new Grinding Wheel

- Before fitting the new grinding wheel, **ALWAYS** check that the stated maximum **RPM** on the wheel exceeds the **RPM** of the bench grinder.
- Inspect the wheel for any damage such as cracks or flaws before fitting.
- Fit the new wheel and replace the locking nut and flange. **DO NOT** overtighten.
- Refit the guard and test the grinding wheel.
  - Stand to one side and switch on the grinder.
  - Run the grinder at full speed for approximately one minute to run the wheel up. Check for any cracks or flaws before use.

### 7.2 Fitting and Replacing the Whetstone (Fig.6)

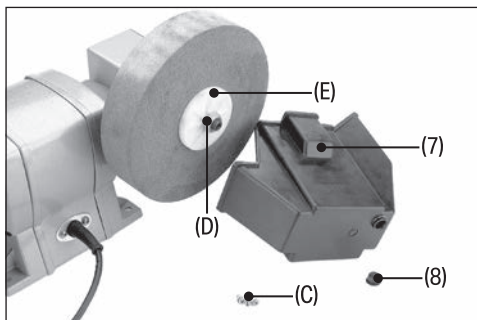


Fig. 6

- Remove the drain bung (8) to empty the reservoir (7).
- When the reservoir is completely drained, remove the two screws (C).
- Position the grinder to allow access to the underside. Remove the screw in the underside and slide the reservoir out.
- Hold the grinding wheel and remove the nut (D) by turning anticlockwise.
- Remove the flange (E) and replace the whetstone.
- Inspect the new whetstone before fitting to the grinder.

## 7.3 Grinding & Honing (Fig.7)

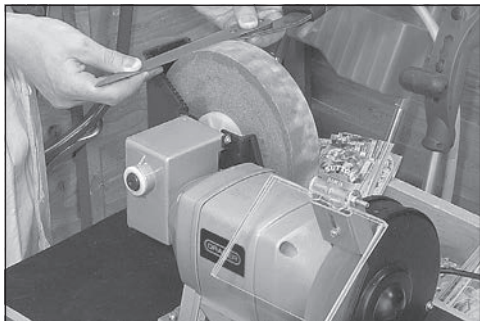


Fig. 7

### Grinding

- Before grinding check and adjust, the following:
  - 1.5mm clearance between the tool rest and the surface of the grinding wheel.
  - 1.5mm gap between the spark deflector and surface of the grinding wheel.
  - Check that the eye shield is secured in the correct position.
- Use a coarse grit grinding wheel for rough metals, to remove a large amount of metal or where a smooth finish is not important.
- Use a fine grit grinding wheel for sharpening tools such as drill bits, chisels and screwdrivers or grinding close to size. A fine grit wheel will remove metal more slowly and give a smoother finish.
- **ALWAYS** keep the workpiece moving across the face of the wheel. Grinding against the same part of the wheel will cause uneven wear of the wheel face.
- Where necessary, use a wheel dressing tool to redress the grinding wheel. After redressing adjust the tool rest and spark deflector.

## 7.4 Useful Tips

- Ensure that the item to be ground is held comfortably and securely.
- Adjust tool rest to correct angle.
- Present the workpiece smoothly onto the wheel face and apply light and even pressure.
- To avoid burrs, grind against the edge of the workpiece.
- **NEVER** grind on the side of the wheel.
- Best results are achieved if the grinder is operated at maximum speed. Excess force from the workpiece can damage the wheel and overload the motor.
- Check the grinding wheels regularly for wear or damage. Replace wheels that are worn by more than 25%. Damaged wheels should be discarded immediately, and they can cause the grinder to vibrate and are dangerous.
- After grinding fine edge tools, the tool should be honed by hand on a fine slip stone.

## 8. Maintenance and Troubleshooting

---

**Important: ALWAYS** turn the grinder off and unplug from the power supply before carrying out any adjustment, servicing or maintenance.

### 8.1 General Maintenance

- Keep the product clean. Remove any debris from it after each use and before storage.
- Inspect the product before each use for worn and damaged parts. **DO NOT** operate it if you find broken and worn parts.
- If the grinding wheel has been worn down or damaged, replace it.

### 8.2 Troubleshooting

Problem	Possible Cause	Remedy
Grinder will not operate.	Plug fuse blown.	Check fuse and replace if necessary.
	Others	Contact Draper Tools for advice.
Grinder vibrates.	Wheel out of balance.	Dress wheel.
	Wheel loose.	Stop grinder immediately and tighten.
	Damaged/worn wheel.	Replace.

## 9. Spares, Returns and Disposal

---

For spare parts, servicing, and repair and replacement options, please contact the Draper Tools Product Helpline for details of your nearest authorised agent.

Draper Tools will endeavour to hold any spare parts, if applicable, for seven years from the date that it sells the final matching stock item.

Any servicing or repairs carried out by unauthorised personnel or installation of spare parts not supplied by Draper Tools will invalidate your warranty.

At the end of its working life, dispose of the product responsibly and in line with local regulations. Recycle where possible.

**DO NOT** dispose of this product with domestic waste; most local authorities provide appropriate recycling facilities.



## 10. Warranty

---

12 months from date of purchase - Visit [drapertools.com/warranty](https://www.drapertools.com/warranty) for full details.

This warranty does not cover any other consumable parts, normal wear & tear, damage, misuse, careless or unsafe handling.

However, if the tools are hired out, the warranty period is 90 days from the date of purchase.

# 11. Explanation of Symbols

---



Read the instruction manual



**Warning!**



Wear suitable eye protection



Rated input (W)



Whetstone wheel diameter



Whetstone wheel bore diameter



Whetstone wheel speed



Drystone wheel diameter



Drystone wheel bore diameter



Drystone wheel speed



Earthed



WEEE-

Waste Electrical & Electronic Equipment

Do not dispose of Waste Electrical & Electronic Equipment in with domestic rubbish



European conformity



UK Conformity Assessed



## Contact Details

### **Draper Tools Limited**

Hursley Road  
Chandler's Ford  
Eastleigh  
Hampshire  
SO53 1YF  
UK

**Website:** [drapertools.com](http://drapertools.com)

**Email:** [sales@drapertools.com](mailto:sales@drapertools.com)

**Product Helpline:** +44 (0) 23 8049 4344

**Telephone Sales Desk:** +44 (0) 23 8049 4333

**General Enquiries:** +44 (0) 23 8026 6355

### **Draper Tools Europe B.V.**

Oude Graaf 8  
6002 NL  
Weert  
Netherlands

Please contact the Draper Tools Product Helpline for repair and servicing enquiries.