

DRAPER

EN

Original Instructions
Version 2
February 2026

230V

BELT SANDER

58287



**UK
CA** **CE**

Read the instruction manual in full and retain for future reference.

Please visit drapertools.com/manuals for the latest version of this manual and the associated parts list, if applicable.

1.1 Product Reference

User Manual for: 230V Belt Sander

Stock No: 58287

Part No: BS75-1010D

1.2 Revisions

Version 1: November 2018

Version 2: February 2026

1.3 Understanding the Safety Content of This Manual



WARNING! – Situations or actions that may result in personal injury or death.



CAUTION! – Situations or actions that may result in damage to the product or surroundings.

Important: – Information or instructions of particular importance.

1. Preface	2
1.1 Product Reference	2
1.2 Revisions	2
1.3 Understanding the Safety Content of This Manual	2
2. Contents	2
3. Product Introduction	3
3.1 Intended Use	3
3.2 Specification	3
4. Health and Safety Information	4-6
4.1 General Power Tool Safety Warnings	4
4.2 Additional Safety Instructions for Sanders	5
4.3 Connection to the Power Supply	6
4.4 Residual Risk	6
5. Identification and Unpacking	7
5.1 Product Overview	7
5.2 Packaging	7
6. Basic Operating Instructions	8-9
6.1 General Sanding Information	8
6.2 Trigger Switch	8
6.3 Fitting or Replacing the Sanding Belt	8
6.4 Sanding Belt Tracking and Adjustment	9
6.5 Fitting the Dust Collection Bag	9
7. Maintenance and Troubleshooting	10
7.1 General Maintenance	10
7.2 Drive Belt Replacement	10
7.3 Troubleshooting	10
8. Spares, Returns and Disposal	11
9. Warranty	11
10. Explanation of Symbols	11

3.1 Intended Use

This belt sander is designed to sanding large flat areas of various wood materials.

Any other application beyond the conditions established for use will be considered misuse. Draper Tools accepts no responsibility for improper use of this product.

This product is intended for domestic and infrequent light-duty trade use.

Read this manual in full before attempting to assemble, operate or maintain the product, and retain it for later use.

3.2 Specification

Stock No.	58287
------------------	--------------

Part No.	BS75-1010D
-----------------	-------------------

Rated voltage	230V/50Hz
---------------	-----------

Rated input	1010W
-------------	-------

Belt speed (no load)	120 – 380 M/min
----------------------	-----------------

Belt width	75mm
------------	------

Belt length	533mm
-------------	-------

Noise emissions

Sound pressure level	85dB (A)
----------------------	----------

Uncertainty	3dB (A)
-------------	---------

Sound power level	96dB (A)
-------------------	----------

Uncertainty	3dB (A)
-------------	---------

Vibration levels

Uncertainty	1.5m/s ²
-------------	---------------------

Chipboard

Main handle	15.746m/s ²
-------------	------------------------

Auxiliary handle	18.856m/s ²
------------------	------------------------

Wooden beam

Main handle	13.584m/s ²
-------------	------------------------

Auxiliary handle	16.038m/s ²
------------------	------------------------

Cord length (approx.)	2M
-----------------------	----

Net weight	3.56kg
------------	--------

Important: The declared vibration total values and noise emissions values have been measured in accordance with a standard test method and may be used for comparing one tool with another. These values may also be used in a preliminary assessment of exposure.



WARNING! The vibration and noise emissions during actual use of the product can differ from the declared values depending on the type of work and the area upon which it is used. Before each use, estimate the likely exposure resulting from the actual conditions of use. Take into account all parts of the operation cycle in order to identify any safety measures required to protect the operator.

4.1 General Power Tool Safety Warnings



WARNING! Read all safety warnings, instructions, illustrations and specifications provided with this power tool. Failure to follow all instructions listed below may result in electric shock, fire and/or serious injury.

Save all warnings and instructions for future reference.

The term "power tool" in the warnings refers to your mains-operated (corded) power tool or battery-operated (cordless) power tool.

Work Area Safety

- **Keep work area clean and well lit.**
 - Cluttered or dark areas invite accidents.
- **DO NOT operate power tools in explosive atmospheres, such as in the presence of flammable liquids, gases or dust.**
 - Power tools create sparks which may ignite the dust or fumes.
- **Keep children and bystanders away while operating a power tool.**
 - Distractions can cause you to lose control.

Electrical Safety

- **Power tool plugs must match the outlet. NEVER modify the plug in any way. DO NOT use any adapter plugs with earthed (grounded) power tools.**
 - Unmodified plugs and matching outlets will reduce risk of electric shock.
- **Avoid body contact with earthed or grounded surfaces, such as pipes, radiators, ranges and refrigerators.**
 - There is an increased risk of electric shock if your body is earthed or grounded.
- **DO NOT expose power tools to rain or wet conditions.**
 - Water entering a power tool will increase the risk of electric shock.
- **DO NOT abuse the cord. NEVER use the cord for carrying, pulling or unplugging the power tool. Keep cord away from heat, oil, sharp edges or moving parts.**
 - Damaged or entangled cords increase the risk of electric shock.
- **When operating a power tool outdoors, use an extension cord suitable for outdoor use.**
 - Use of a cord suitable for outdoor use reduces the risk of electric shock.

- **If operating a power tool in a damp location is unavoidable, use a residual current device (RCD) protected supply.**
 - Use of an RCD reduces the risk of electric shock.

Personal Safety

- **Stay alert, watch what you are doing and use common sense when operating a power tool. DO NOT use a power tool while you are tired or under the influence of drugs, alcohol or medication.**
 - A moment of inattention while operating power tools may result in serious personal injury.
- **Use personal protective equipment. ALWAYS wear eye protection.**
 - Protective equipment such as a dust mask, non-skid safety shoes, hard hat or hearing protection used for appropriate conditions will reduce personal injuries.
- **Prevent unintentional starting. Ensure the switch is in the 'OFF' position before connecting to power source, picking up or carrying the tool.**
 - Carrying power tools with your finger on the switch or energising power tools that have the switch on invites accidents.
- **Remove any adjusting key or wrench before turning the power tool on.**
 - A wrench or a key left attached to a rotating part of the power tool may result in personal injury.
- **DO NOT overreach. Keep proper footing and balance at all times.**
 - This enables better control of the power tool in unexpected situations.
- **Dress properly. DO NOT wear loose clothing or jewellery. Keep your hair, clothing and gloves away from moving parts.**
 - Loose clothes, jewellery or long hair can be caught in moving parts.
- **If devices are provided for the connection of dust extraction and collection facilities, ensure these are connected and properly used.**
 - Use of dust collection can reduce dust-related hazards.
- **DO NOT let familiarity gained from frequent use of tools to allow you to become complacent and ignore tool safety principles.**
 - A careless action can cause severe injury within a fraction of a second.

Power Tool Use and Care

- **DO NOT force the power tool. Use the correct power tool for your application.**
 - The correct power tool will do the job better and safer at the rate for which it was designed.
- **DO NOT use the power tool if the switch does not turn it on and off.**
 - Any power tool that cannot be controlled with the switch is dangerous and must be repaired.
- **Disconnect the plug from the power source and/or remove the battery pack, if detachable, from the power tool, before making any adjustments, changing accessories or storing power tools.**
 - Such preventive safety measures reduce the risk of starting the power tool accidentally.
- **Store idle power tools out of the reach of children and DO NOT allow persons unfamiliar with the power tool or these instructions to operate the power tool.**
 - Power tools are dangerous in the hands of untrained users.
- **Maintain power tools and accessories. Check for misalignment or binding of moving parts, breakage of parts and any other condition that may affect the power tool's operation. If damaged, have the power tool repaired before use.**
 - Many accidents are caused by poorly maintained power tools.
- **Keep cutting tools sharp and clean.**
 - Properly maintained cutting tools with sharp cutting edges are less likely to bind and are easier to control.
- **Use the power tool, accessories and tool bits etc. in accordance with these instructions, taking into account the working conditions and the work to be performed.**
 - Use of the power tool for operations different from those intended could result in a hazardous situation.
- **Keep handles and grasping surfaces dry, clean and free from oil and grease.**
 - Slippery handles and grasping surfaces **DO NOT** allow for safe handling and control of the tool in unexpected situations.

Service

- **Have your power tool serviced by a qualified repair person using only identical replacement parts.**
 - This will ensure that the safety of the power tool is maintained.

4.2 Additional Safety Instructions for Sanders

- **ALWAYS** wear a suitable dust mask and eye protection when operating the sander.
- Connect dust extraction equipment and ensure they are connected and used correctly.
- Ensure there is adequate ventilation in the work area when using this sander.
- **NEVER** leave the sander unattended with the motor running.
- **DO NOT** use this sander in conjunction with water for sanding applications. There is no adequate protection for liquid ingress when used for this type of operation.
- **DO NOT** overload the sander. Excess pressure when sanding reduces the effectiveness of the sander and will cause the motor to overload.
- **Hold the power tool by insulated gripping surfaces, because the sanding surface may contact its own cord.**
 - Cutting a “live” wire may make exposed metal parts of the power tool “live” and could give the operator an electric shock.

4.3 Connection to the Power Supply



**CAUTION! Risk of electric shock.
DO NOT open.**

This appliance is supplied with an approved plug and cord for your safety.

If the power supply cord is damaged, it must be replaced by Draper Tools, an authorised service agent or similarly qualified personnel in order to avoid a hazard.


The damaged or incomplete plug, when cut from the cord, shall be disabled to prevent connection to a live electrical outlet.

This appliance is Class II[†] and is designed for connection to a power supply matching that detailed on the rating label and compatible with the plug fitted. The value of the fuse fitted is marked on the pin face of the plug. Should the fuse need replacing, use a small plain-slot screwdriver to remove the fuse cover. Ensure the substitute is of the correct rating, approved to BS 1362 and ASTA or BS Kite marked. This should only be performed by suitably qualified personnel.

ASTA  BSI 

Important: If an extension lead is required, use an approved and compatible lead rated for this appliance.

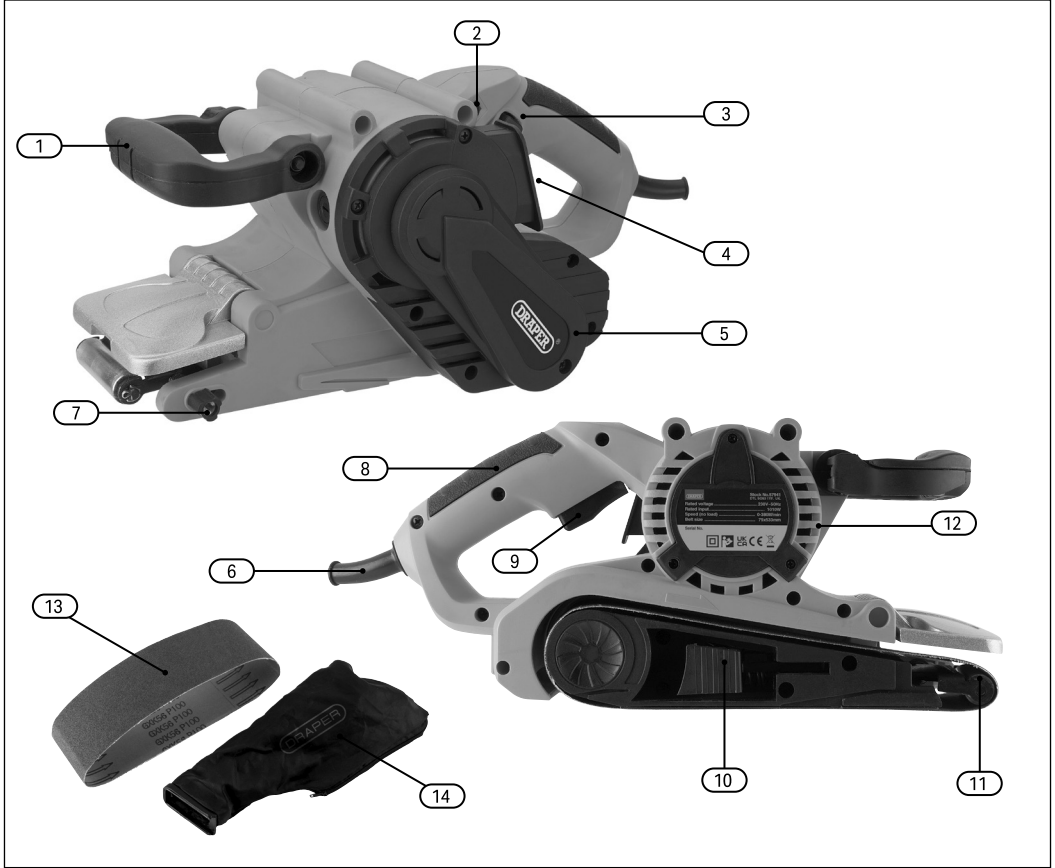
Unwind the entire cable and follow all the instructions supplied with the extension lead.

†Double insulated : This product requires no earth connection as supplementary insulation is applied to the basic insulation to protect against electric shock in the event of failure of the basic insulation.

4.4 Residual Risk

The safety instructions in this manual cannot account for all possible conditions and situations that may occur. Exercise common sense and caution when using this product and protect against any additional conceivable risks.

5.1 Product Overview



- | | | |
|----------------------------|-----------------------------|------------------------------------|
| 1. Adjustable front handle | 6. Power cord and plug | 11. Front roller assembly |
| 2. Variable speed dial | 7. Belt tracking adjustment | 12. Motor vent grilles |
| 3. Trigger lock button | 8. Hand grip | 13. Sanding belt (supplied fitted) |
| 4. Dust outlet port | 9. Trigger switch | 14. Dust collection bag |
| 5. Drive belt guard | 10. Belt tension release | |

5.2 Packaging

Keep the product packaging for the duration of the warranty period for reference should the product need to be returned for repair.

WARNING! Keep packaging materials out of reach of children. Dispose of packaging correctly and responsibly and in accordance with local regulations.

Please visit drapertools.com for our full range of accessories and consumables.

Important: Before operating this product, read and understand all the safety instructions listed in this manual. Ensure that the product is fully assembled and correctly prepared for use.

- Before connecting the sander to the power supply ensure the trigger lock button (3) is disengaged.
- This sander is intended for sanding wood only.

6.1 General Sanding Information

- Select the correct belt grit for the desired finish.
- The higher the grit number the finer the finish.
- For removing large amounts of material 60/80 grit is ideal.
- When removing paint from a wood surface the belt grit will have a tendency to clog more quickly.
- **ALWAYS** sand along the grain of the workpiece.

6.2 Trigger Switch

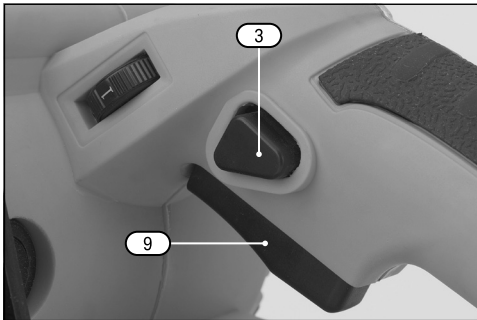


Fig. 1

- Ensure the sander is raised off the workpiece before starting.
- Press the trigger (9) to start the sander.
- To operate the sander for a prolonged period:
 - Press and hold both the trigger (9) and the lock button (3).
 - Release the trigger and lock button.
 - The sander will run continuously until the trigger is pressed again which automatically releases the locking button.
- Wait until the belt has stopped moving before putting the sander down.

WARNING! Hearing protection should be worn while using the sander.

6.3 Fitting or Replacing the Sanding Belt

- Sanding belts are consumable items. Replace the abrasive belt when clogged with material or when the surface/edge is ripped, cracked or worn.

To Remove the Belt

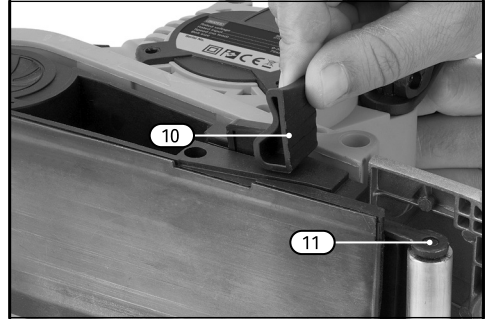


Fig. 2

1. Pull the belt release lever (10) forward and lock in place to move the front roller assembly (11) inwards. This releases the belt tension to allow for removal.



Fig. 3

2. Locate the new sanding belt centrally on the rollers and then slide the tension lever fully back to grip the belt.
- When fitting the new belt ensure the rotation directional arrows marked on the inside of the belt match the arrow marked on the housing.

6.4 Sanding Belt Tracking and Adjustment



Fig. 4

1. Plug the sander into the power supply and observe the belt in operation.
 2. A new belt will tend to track to one side. Centre the belt on the rollers and over the sanding base by rotating the belt tracking adjustment knob (7). This pivots the front roller slightly to cause the belt to track across the roller.
 3. Make slight adjustments until the belt runs centrally on the roller.
- Check the belt alignment occasionally and adjust as necessary.

6.5 Fitting the Dust Collection Bag

- **ALWAYS** fit the dust collection bag supplied to prevent the inhalation of hazardous dust particles.
- For work activities involving the exposure to fine wood dust a FF2 rated mask should be worn.

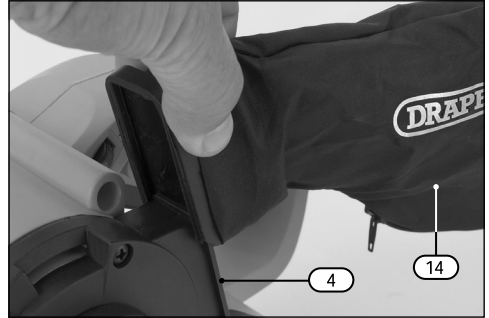


Fig. 5

1. Fit the dust collection bag (14) by sliding down onto the dust outlet port (4).

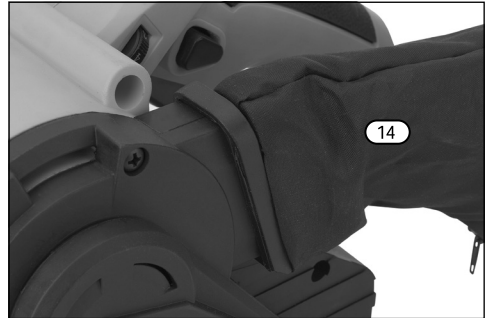


Fig. 6

2. To remove the bag – slide the bag up and lift off.
3. Unzip the bag and empty into a suitable container.
4. Replace the bag back onto the sander.
 - Empty the bag at regular intervals.
 - **DO NOT** wash the bag.

Important: ALWAYS unplug the tool from the power supply before carrying out any cleaning, adjustment or maintenance. All repairs and servicing must be carried out by a qualified person.

7.1 General Maintenance

- Regular inspection and cleaning will reduce the necessity for maintenance operations and will keep your tool in good working condition.
- The motor must be correctly ventilated during tool operation. Avoid blocking the air inlets and vacuum the ventilation slots regularly.
- **DO NOT** use solvents or fuel to clean the sander.
- Store in a dry safe place out of the reach of children when not in use.

7.2 Drive Belt Replacement

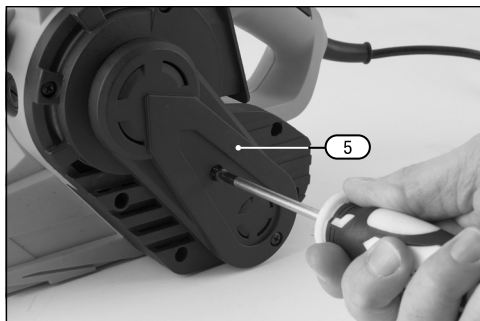


Fig. 7

1. To access the drive belt, remove the drive belt guard (5) using a cross-slot screwdriver to remove the three screws.

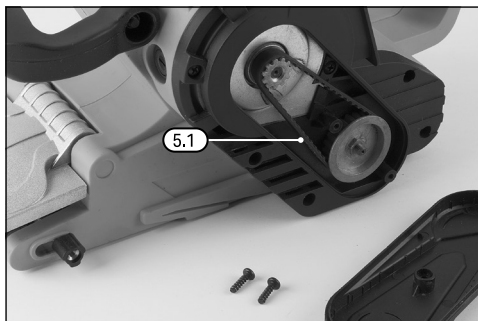


Fig. 8

2. First slide the toothed belt (5.1) off the small drive pulley.
3. Fit the new belt on the large pulley first and gently work the belt over the small pulley.
4. Replace the guard and secure with the screws.

7.3 Troubleshooting

Problem	Possible Cause	Remedy
Motor does not start.	Fuse blown in plug.	Check fuse in plug and replace if necessary.
	Brushes worn.	Replace brushes – contact Draper Tools for advice.
	Unknown.	Contact Draper Tools for advice.
Poor sanding performance.	Sanding belt, worn, clogged or damaged.	Replace sanding belt – see 6.3.

8. Spares, Returns and Disposal

For spare parts, servicing, and repair and replacement options, please contact the Draper Tools Product Helpline for details of your nearest authorised agent.

Draper Tools will endeavour to hold any spare parts, if applicable, for seven years from the date that it sells the final matching stock item.

Any servicing or repairs carried out by unauthorised personnel or installation of spare parts not supplied by Draper Tools will invalidate your warranty.

At the end of its working life, dispose of the product responsibly and in line with local regulations. Recycle where possible.

- **DO NOT** dispose of this product with domestic waste; most local authorities provide appropriate recycling facilities.



9. Warranty

24 months from date of purchase – Visit drapertools.com/warranty for more information.

Where tools are hired out the warranty period is 90 days from the date of purchase.

This warranty does not cover consumable parts, normal wear & tear, damage, misuse, careless or unsafe handling.

10. Explanation of Symbols



Read the instruction manual.



Warning! Caution!



Class II construction
(Double insulated).



Wear face mask and safety glasses.



Wear protective gloves.



Wear ear defenders.



Belt sand paper.



WEEE – Waste Electrical & Electronic Equipment.
DO NOT dispose of Waste Electrical & Electronic Equipment in with domestic rubbish.



European conformity.



UK Conformity Assessed.

Contact Details

Draper Tools

Draper Tools Limited
Hursley Road
Chandler's Ford
Eastleigh
Hampshire
SO53 1YF
UK

Website: drapertools.com

Email: sales@drapertools.com

Product Helpline: +44 (0) 23 8049 4344

Telephone Sales Desk: +44 (0) 23 8049 4333

General Enquiries: +44 (0) 23 8026 6355

Draper Tools Europe B.V.

Oude Graaf 8
6002 NL
Weert
Netherlands

Please contact the Draper Tools Product Helpline for repair and servicing enquiries.