

DRAPER

EN

Original Instructions
Version 2
February 2026

AIR
NIBBLER

70835



**UK
CA** **CE**

These are the original product instructions. Read the instruction manual in full and retain for future reference.

Please visit drapertools.com/manuals for the latest version of this manual and the associated parts list, if applicable.

1.1 Product Reference

User Manual for: Air Nibbler

Stock No: 70835

Part No: DAT-AN

1.2 Revisions

Version 1: July 2019

First release

Version 2: February 2026

1.3 Understanding the Safety Content of This Manual

 **WARNING!** – Situations or actions that may result in personal injury or death.

 **CAUTION!** – Situations or actions that may result in damage to the product or surroundings.

Important: – Information or instructions of particular importance.

1. Preface	2
1.1 Product Reference	2
1.2 Revisions	2
1.3 Understanding the Safety Content of This Manual	2
2. Contents	2
3. Product Introduction	3
3.1 Intended Use	3
3.2 Specification	3
4. Health and Safety Information	4-5
4.1 General Health and Safety Precautions for Air Tools	4
4.2 Additional Safety Instructions for Compressed Air	5
4.3 Specific Safety Instructions for Air Nibblers	5
4.4 Residual Risk	5
5. Identification and Unpacking	6
5.1 Product Overview	6
5.2 Packaging	6
6. Preparation Instructions	6-7
6.1 Preparing the Air Supply for use	6
6.2 Connection to the Air Supply	7
7. Operating Instructions	7
7.1 Basic Operation	7
8. Maintenance and Troubleshooting	8
8.1 Every Day Maintenance Checks	7
8.2 After Use Maintenance Checks	7
8.3 Replacing the Die & Blade	7
8.4 Troubleshooting	7
9. Spares, Returns and Disposal	9
10. Warranty	9
11. Explanation of Symbols	10

3.1 Intended Use

This air nibbler is designed to cut up to 1.5mm metal sheets with minimal distortion. The adjustable die can be placed in various cutting positions to suit different applications

Any other application beyond the conditions established for use will be considered misuse. Draper Tools accepts no responsibility for improper use of this product.

Read this manual in full before attempting to assemble, operate or maintain the product, and retain it for later use.

3.2 Specification

Stock No.	70835
Part No.	DAT-AN
Strokes per minute	3,800s/min
Max operating air pressure	6.2bar (90PSI)
Average air consumption	278L/min (9.8cfm)
Minimum air line diameter (inner)	3/8" (10mm)
Air inlet diameter (inner)	1/4" BSP
Noise emissions	
Sound pressure level	79dB (A)
Sound power level	90dB (A)
Vibration level	3m/s ²
Tool length	195mm
Net weight (tool only)	830g

Important: The declared vibration total values and noise emissions values have been measured in accordance with a standard test method and may be used for comparing one tool with another. These values may also be used in a preliminary assessment of exposure.



WARNING! The vibration and noise emissions during actual use of the product can differ from the declared values depending on the type of work and the area upon which it is used. Before each use, estimate the likely exposure resulting from the actual conditions of use. Take into account all parts of the operation cycle in order to identify any safety measures required to protect the operator.

Important: Read all the Health and Safety instructions before attempting to operate, change accessories, maintain or repair this product. Failure to follow these instructions may result in injury or damage to the user, the product or the workpiece.

4.1 General Health and Safety Precautions for Air Tools

- **ONLY** qualified and trained operators should use or adjust the air tool.
- **DO NOT** modify this tool. Modifications can reduce the effectiveness of safety measures and increase the risks to the operator.
- Retain the safety instructions for future reference and use by the operator.
- **DO NOT** use the tool if it has been damaged.
- Inspect the tool periodically to verify that the ratings and markings required are attached and legible.
- Keep bystanders away during operation.
- Disconnect the tool from the energy supply before changing the inserted tool or accessory.
- Direct the exhaust port away from yourself and to minimise disturbance of dust in the work area.
- **ALWAYS** wear appropriate personal protective equipment (PPE). Personal protective safety glasses and dust mask shall be used; suitable gloves and protective clothing are recommended.
- For overhead work, wear a safety helmet.
- Keep loose clothing, hands, hair etc. away from the rotating parts of the tool and accessories.
- Have your tool serviced by a qualified repair person using only identical replacement parts.
- Release the start and stop device in the case of an interruption of the energy supply.
- **ONLY** use lubricants recommended by the manufacturer.
- Use only sizes and types of accessories and consumables that are recommended by the tool manufacturer.
- Unexpected direction of inserted tool movement can cause a hazardous situation.
- Adopt a suitable posture to counteract normal or unexpected movement due to reaction forces from the tool.

- The tool is not intended for use in potentially explosive atmospheres and is not insulated against coming into contact with electric power.
 - Ensure there are no electrical cables, gas pipes, etc., that can cause a hazard if damaged by use of the tool.

Noise Hazards

- Exposure to high noise levels can cause permanent hearing loss and other problems. Perform a risk assessment and implement any appropriate controls for identified hazards before performing any operation.
- Use appropriate hearing protection in accordance with local occupational health and safety regulations.
- Operate and maintain the tool appropriately to prevent unnecessary increase in noise emissions.

Vibration Hazards

- Exposure to vibration can cause disabling damage to the nerves and blood supply of the hands and arms.
- Wear warm clothing when working in cold conditions and keep your hands warm and dry.
- If you experience numbness, tingling, pain or whitening of the skin in your fingers or hands, stop using the tool and consult a qualified health professional.
- Operate and maintain the tool appropriately to prevent unnecessary increase in vibration emissions.
- The risks from vibration hazards are increased when grip force on the tool is higher.
- Hold the tool with a light but safe grip, keeping in mind that your grip may need to be altered to react to unexpected forces.

Dust and Fume Hazards

- Dust and fumes generated when using the nibbler can cause ill health (for example cancer, birth defects, asthma and/or dermatitis); risk assessment and implementation of appropriate controls for these hazards are essential.
- Risk assessment should include dust created by the use of the tool and the potential for disturbing existing dust.
- Operate and maintain the nibbler as recommended in the instructions.

- Direct the exhaust to minimise the disturbance of dust in a dust filled environment.
- Where dust and fumes are created, the priority shall be to control them at the point of emission.
- Use appropriate respiratory protection.

4.2 Additional Safety Instructions for Compressed Air



WARNING!

Compressed air can cause severe injury.

- **ALWAYS** turn off and disconnect the air supply before changing accessories, making any adjustments to the product or leaving it unattended.
- **NEVER** direct this product towards yourself or others.
- Ensure that compressed air is not blocked by or in contact with any part of your body.
- **ONLY** use clean, dry and regulated compressed air.



WARNING! NEVER use oxygen, combustible gases or other bottled gases as a supply for this product. Use of these substances may cause the product to explode.

- Draper Tools recommends the use of a whip hose between the tool and the air supply to reduce vibration.
- **WARNING! Whipping hoses can cause severe injury. Always check for and replace damaged or loose hoses and fittings.**
- Ensure that the product is compatible with the air supply before use.
- Ensure all connections are securely tightened.
- Where universal twist couplings (claw couplings) are used, lock pins must be installed and whip check safety cables must be used to safeguard against possible hose-to-tool or hose-to-hose failure.
- **DO NOT** exceed the maximum stated air pressure.
- The use of an inline water separator, lubricator and pressure regulator should be used to control the pressure of the air being supplied to the tool.
- **DO NOT** obstruct the ability of the trigger to release once depressed.
- **NEVER** carry the tool by the air line.

4.3 Specific Safety Instructions for Air Nibblers

- Be aware that failure of the workpiece or accessories or even the inserted tool itself can generate high velocity projectiles.
- **ALWAYS** wear impact-resistant eye protection during use of the tool. The grade of protection required should be assessed for each use.
- Ensure that the workpiece is securely fixed.
- Ensure the metal cuttings are directed as not to cause a hazard.
- Use of nibblers can expose the operator's hands to hazard including cuts, abrasions and heat.
 - Avoid contact with the cutter whenever the nibbler is connected to the power supply.
 - Cutting with nibblers creates sharp edges.
 - Wear relevant protective equipment such as gloves.
- Maintain a balanced body position and secure footing.
- Sharp tools should be used.
- Avoid direct contact with the inserted tool during or after use as it can become hot.
- There is a risk of explosion or fire due to the material being processed.
- **DO NOT** use cracked or deformed accessories or inserted tools.
- Proceed with care in unfamiliar surroundings. There can be hidden hazards such as electricity cables or other utility lines.

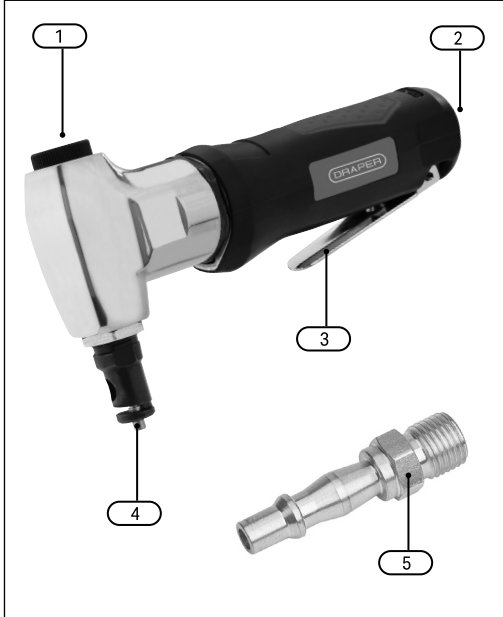
4.4 Residual Risk

The safety instructions in this manual cannot account for all possible conditions and situations that may occur. Exercise common sense and caution when using this product and protect against any additional conceivable risk.

5. Identification and Unpacking

Carefully remove the product from the packaging and examine it for any signs of damage that may have occurred during shipment. If any part is damaged or missing, do not attempt to use the product. Please contact the Draper Helpline; contact details can be found at the back of this manual.

5.1 Product Overview



1. Lubricating cover
2. 1/4" BSP female air inlet
3. Throttle lever
4. Die
5. Air line coupling screw adaptor

5.2 Packaging

Keep the product packaging for the duration of the warranty period for reference should the product need to be returned for repair.

WARNING! Keep packaging materials out of reach of children. Dispose of packaging correctly and responsibly and in accordance with local regulations.

Please visit drapertools.com for our full range of accessories and consumables.

6. Preparation Instructions **EN**

Important: Before preparing or adjusting this product, read and understand all the safety instructions listed in this manual.

6.1 Preparing the Air Supply for use

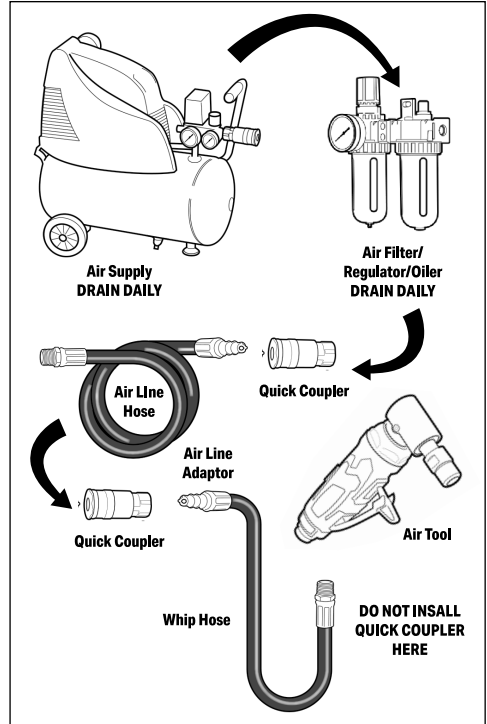


Fig. 1

- This air tool operates at a max. pressure of 6.2bar (90psi).
 - ISO grade 22–32 (SAE grade 5W–15W) monograde oil should be used in this air tool.
 - During use, the oil must be constantly supplied to the equipment to ensure complete lubrication and optimum performance.
 - The compressed air system must be controlled by a combination pressure regulator, in-line lubricator and moisture filter. This will ensure a constant supply of dry air at all times, provided it is properly maintained.
- Important:** ALWAYS check the machine operating pressure before use.

- Water in the compressor tank may cause considerable corrosion to air tools; the compressor should be drained daily to avoid excessive water in the air supply. Dirty or wet air can significantly shorten the lifespan of the product.
- When using an air tool with a hose over 25ft long, Draper Tools recommends increasing the bore of the hose to the next largest available size (i.e. increase 3/8" to 1/2"). This will ensure adequate pressure and volume of air to power the tool.

6.2 Connection to the Air Supply

Important: ALWAYS disconnect from the air supply before assembling, carrying out adjustments, servicing or maintenance.

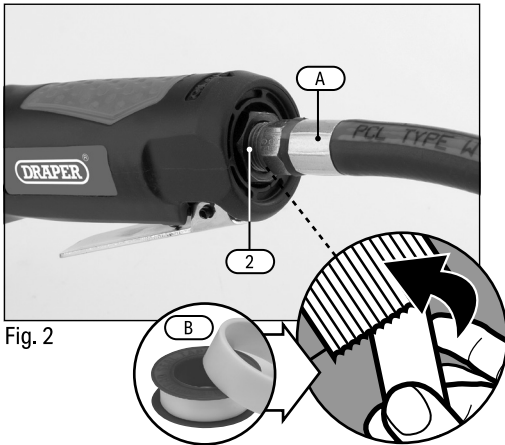


Fig. 2

- To connect the air tool to an air line, a 1/4" BSP male thread whip hose (A) will be required.
- Wind a length of PTFE tape (B) around the thread of the whip hose.
- Remove the bung from the air inlet (2) and attach the hose via the 1/4" BSP air inlet. The connection must be tight for an airtight union.

Important: Before operating this product, read and understand all the safety instructions listed in this manual and the air line is connected correctly.

Note:

- Before connecting the tool to the air supply reduce the line pressure according to the specification.
- Before tool operation and work commences, ensure the compressor reservoir is drained of condensate along with all connected air lines. Check and drain the air line regulator.

7.1 Basic Operation

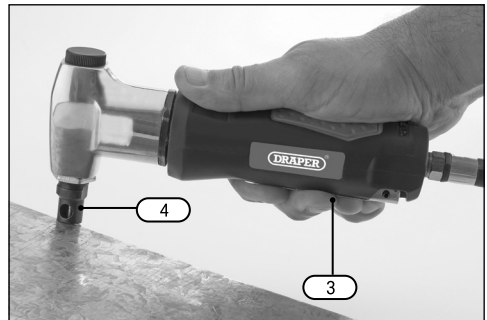


Fig. 3

1. Squeeze the throttle lever (3) and align the die (4) with the metal being cut. Release the lever to stop.

Note:

- The open side of the die should be straight ahead and aligned with the metal being cut
- The metal being cut should be a maximum thickness of 1.5mm.

2. Adjust the die to the right or left position to suit different applications.
 - Loosen the fixing nut and turn the die and blade to the required position. Then tighten the nut.

! **WARNING!** Disconnect from the air supply before carrying out any adjustments, servicing or maintenance.

8.1 Every Day Maintenance Checks

Before connection to the air supply:

- Drain the compressor reservoir of condensate.
- Drain the air lines of condensate.
- Drain the combined separator filter, regulator, water trap.
- Fill up the combined separator filter, regulator, lubricant reservoir.
- Check the line pressure is correct for the tool.

8.2 After Use Maintenance Checks

- Repeat the above procedures.
- Lubricate the tool with approximately 1.5ml of oil directly down the air inlet.
- When not in use store in a dry clean place out of the reach of children.

8.3 Replacing the Die & Blade



Fig. 4

1. Use an adjustable wrench to loosen the fixing nut.
2. Use the wrench to remove the die (4).



Fig. 5

3. Unscrew the blade base and replace with a new blade.
4. Refit the blade base and die and secure with the fixing nut.

8.4 Troubleshooting

Problem	Possible Cause	Remedy
Tool will not operate.	Motor or throttle seized with dirt.	Check for dirt in air inlet. Pour air tool lubricating oil into air inlet. Operate trigger in short bursts. If motor fails to operate, contact the Draper Tools product helpline for advice.
No oil in tool.		Lubricate the tool with tool oil. Open the lubricating cover (1) and add air tool oil.
Air hose leaking.		Tighten and seal hose fitting if leaks are found.
Abnormal vibrations or excessive heat.	Insufficient lubrication.	Lubricate the tool with tool oil. Open the lubricating cover (1) and add air tool oil.

For spare parts, servicing, and repair and replacement options, please contact the Draper Tools Product Helpline for details of your nearest authorised agent.

Draper Tools will endeavour to hold any spare parts, if applicable, for seven years from the date that it sells the final matching stock item.

Any servicing or repairs carried out by unauthorised personnel or installation of spare parts not supplied by Draper Tools will invalidate your warranty.

At the end of its working life, dispose of the product responsibly and in line with local regulations. Recycle where possible.

During decommissioning of the equipment, certain hazards should be understood and avoided:

- Only with the line pressure released shall the equipment be disassembled.
- Goggles should be worn.

6 months from date of purchase –

Visit [drapertools.com/warranty](https://www.drapertools.com/warranty) for more information.

However, if the tools are hired out, the warranty period is 90 days from the date of purchase.

Draper Tools Limited

11. Explanation of Symbols



Read the instruction manual



Wear safety glasses



Wear ear defenders



Wear protective gloves



WARNING!



Strokes per minute



Maximum operating air pressure



Average air consumption



Minimum air line diameter (inner)



Air inlet diameter (inner)



European conformity



UK Conformity Assessed

Contact Details

Draper Tools

Draper Tools Limited
Hursley Road
Chandler's Ford
Eastleigh
Hampshire
SO53 1YF
UK

Website: drapertools.com

Email: sales@drapertools.com

Product Helpline: +44 (0) 23 8049 4344

Telephone Sales Desk: +44 (0) 23 8049 4333

General Enquiries: +44 (0) 23 8026 6355

Draper Tools Europe B.V.

Oude Graaf 8
6002 NL
Weert
Netherlands

Please contact the Draper Tools Product Helpline for repair and servicing enquiries.