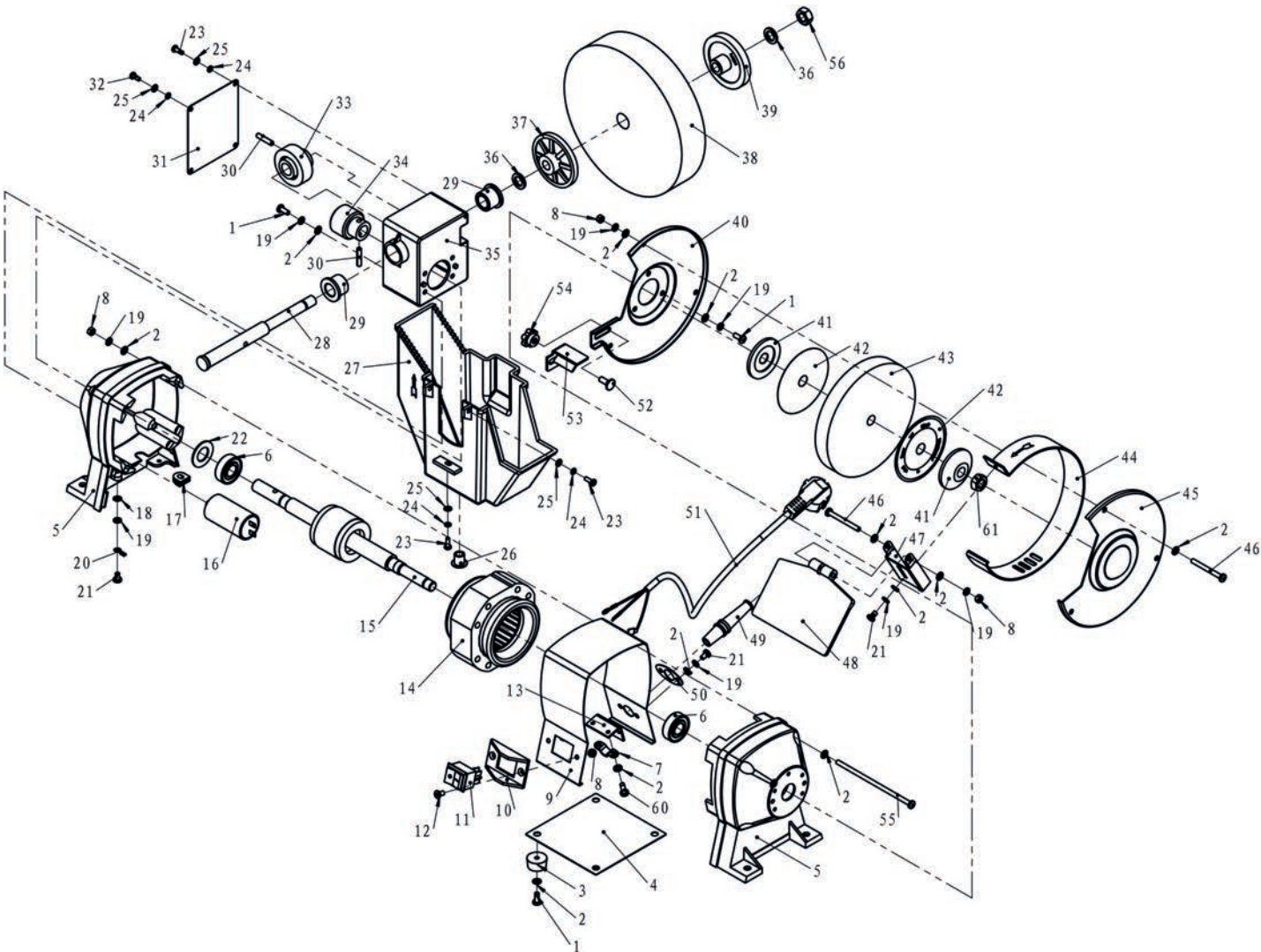


230V WET & DRY

BENCH GRINDER

78456 - GWD200A SPARE PARTS DRAWING



230V WET & DRY BENCH GRINDER

78456 - GWD200A SPARE PARTS LISTING

Key No.	Part No.	Stock No.	Description	Key No.	Part No.	Stock No.	Description
1	YGWD200A-01		Phillips Screw 5x12	41	YGWD200A-41	87669	Wheel Flange
2	YGWD200A-02		Flat Washer 5	42	YGWD200A-42		Liner
3	YGWD200A-03	87652	Foot	43	AG205DA	38186	Dry Grinding Wheel
4	YGWD200A-04	87651	Base Plate	44	YGWD200A-44		Shield
5	YGWD200A-05	87647	Body Cover	45	YGWD200A-45	87670	Outer Cover
6	YGWD200A-06		Bearing 6202	46	YGWD200A-46	87671	Phillips Screw 5x45
7	YGWD200A-07		Cable Clip	47	YGWD200A-47	87673	Eye shield Bracket
8	YGWD200A-08		Nut 5	48	YGWD200A-48	87672	Eye shield
9	YGWD200A-09	87662	Main Body	49	YGWD200A-49	87657	Cable Adaptor
10	YGWD200A-10	87654	Switch Cover	50	YGWD200A-50		Fixed Plate
11	YGWD200A-11	87653	Switch	51	YGWD200A-51	87661	Plug and Cable
12	YGWD200A-12		Countersunk Screw 5x10	52	YGWD200A-52	87668	Carriage Bolt 6x16
13	YGWD200A-13		Connection bend plate	53	YGWD200A-53	87667	Tool Rest
14	YGWD200A-14	87663	Stator	54	YGWD200A-54	87666	Adjustment Knob
15	YGWD200A-15	87658	Rotor Spindle	55	YGWD200A-55	87640	Phillips Screw 5x125
16	YGWD200A-16	87649	Capacitor	56	YGWD200A-56	87646	Nut 12
17	YGWD200A-17	87648	Cable Clamp				
18	YGWD200A-18		Toothed Lock Washer 5				
19	YGWD200A-19		Spring Washer 5				
20	YGWD200A-20	87656	Earth Connection				
21	YGWD200A-21		Phillips Screw 5x8				
22	YGWD200A-22	87659	Wave Washer 18				
23	YGWD200A-23		Phillips Screw 4x12				
24	YGWD200A-24		Spring Washer 4				
25	YGWD200A-25	87633	Flat Washer 4				
26	YGWD200A-26	87636	Bung				
27	YGWD200A-27	87635	Water Trough				
28	YGWD200A-28	87641	Axle				
29	YGWD200A-29	87642	Bush				
30	YGWD200A-30	87637	Pin				
31	YGWD200A-31	87634	End Cover				
32	YGWD200A-32	87632	Phillips Screw 4x10				
33	YGWD200A-33	87638	Gear				
34	YGWD200A-34	87639	Worm Wheel				
35	YGWD200A-35	87643	Case				
36	YGWD200A-36	87644	Washer 12				
37	YGWD200A-37	87645	Inner Wheel Flange				
38	AG200W	79016	Whetstone				
39	YGWD200A-39		Outer Wheel Flange				
40	YGWD200A-40	87665	Inner Cover				