

DRAPER

EN

Original Instructions
Version 2 – March 2026

230V

WALLPAPER STEAMER

08090



**UK
CA** **CE**

1. Preface

These are the original product instructions. Read the instruction manual in full and retain for future reference.

Please visit drapertools.com/manuals for the latest version of this manual and the associated parts list, if applicable.

1.1 Product Reference

User Manual for: 230V Wallpaper Steamer

Stock No: 08090

Part No: WPS2000A

1.2 Revisions

Version 1: September 2022

First release

Version 2: March 2026

1.3 Understanding the Safety Content of This Manual



WARNING! – Situations or actions that may result in personal injury or death.



CAUTION! – Situations or actions that may result in damage to the product or surroundings.

Important: – Information or instructions of particular importance.

2. Contents

1. Preface	2	6. Assembling & Operating Instructions	8
1.1 Product Reference	2	6.1 Assembly	8
1.2 Revisions	2	6.2 Checking Plaster	8
1.3 Understanding the Safety Content of This Manual	2	6.3 Operation	8
2. Contents	2	6.4 Refilling the Boiler During Operation	10
3. Product Introduction	3	6.5 Thermal Overload	10
3.1 Intended Use	3	7. Maintenance and Troubleshooting	11
3.2 Specification	3	7.1 General Maintenance and Storage	11
4. Health and Safety Information	4	7.2 Troubleshooting	11
4.1 General Health and Safety Precautions	4	8. Spares, Returns and Disposal	12
4.2 Additional Safety Information for this Wallpaper Steamer	4	9. Warranty	12
4.3 Connection to the Power Supply	6	10. Explanation of Symbols	13
4.4 Residual Risk	6		
5. Identification and Unpacking	7		
5.1 Product Overview.	7		
5.2 Packaging	7		

3.1 Intended Use

This product is designed to heat wallpaper so that it may be separated from walls and is intended for domestic and infrequent light-duty trade use. Any other application beyond the conditions established for use will be considered misuse. Draper Tools accepts no responsibility for improper use of this product.

Important: The boiler on this product is suitable for water **ONLY**.

Important: The element **MUST** remain submerged throughout the entire process, including during heating and cooling periods. Damage caused by exposing the element while it is hot will invalidate your warranty.

Read this manual in full before attempting to assemble, operate or maintain the product, and retain it for later use.

3.2 Specification

Stock No.	08090
Part No.	WPS2000A
Rated voltage:	230V AC
Rated frequency:	50Hz
Rated input:	2,000W
Tank capacity:	4L
Heat-up time:	10min (approx.)
Single fill duration:	Max. 60min
Steam hose length:	3m
Power cord length:	2m
Safety cut-out temperature:	115°C
IP rating:	IPX4
Dimensions:	320 × 230 × 220mm
Net weight (empty):	2.5kg

4. Health and Safety Information

Important: Read all the Health and Safety instructions before attempting to operate, maintain or repair this product. Failure to follow these instructions may result in injury or damage to the user or the product.


4.1 General Health and Safety Precautions


- **DO NOT** allow any person who has not read this manual and is unfamiliar with this product to operate or maintain it.
- Observe all standard safety precautions and good practices when working with electrical equipment and water.
- **DO NOT** modify this product in any way and **ONLY** use spare parts supplied by Draper Tools.
- Keep your work environment clear and well-lit, with bystanders at a safe distance.
- Use this product **ONLY** in well-ventilated environments.
 - If you feel unwell due to the heat, immediately disconnect the steamer from the power supply and move to a cooler area until you have recovered.
- Before every use, inspect the product for broken, cracked, loose or corroded parts and leakages.
- **Important: DO NOT** use this product if it is leaking or damaged in any way. **DO NOT** attempt to open a damaged product; contact Draper Tools to discuss repair and replacement options.
- **ONLY** connect the steamer to a power supply matching the rated voltage of the product.
- Keep the power cord away from the boiler, steam plate and other sources of moisture at all times.
 - **DO NOT** immerse this product in water or subject it to wet conditions.
 - **DO NOT** expose this product to frost.
- Keep the power cord away from oil, sharp edges and sources of heat.
- If the supply cord is damaged, it must be replaced with a special cord available from Draper Tools or its authorised service agent.
- **NEVER** pull on the power cord to disconnect the plug from the socket.
- **NEVER** handle the plug or operate this product with wet hands.
- Use the product only in the manner described in this manual.
- Keep this product out of reach of children at all times.

4.2 Additional Safety Information for this Wallpaper Steamer



WARNING! There is a risk of scalding when working with steam. Take extreme care when operating this product and pay attention at all times.

- **ALWAYS** wear heat-resistant gloves and other suitable protective clothing, including long sleeves, while using this product.
 - A hat or head covering should also be worn when using the product overhead to protect from water dripping from the steam plate.
 - **NEVER** use this product in the presence of inflammable or explosive substances.
 - Draper Tools recommends that this product is supplied through a residual current device (RCD) with a rated residual operating current of no greater than 30mA.
 - This is a Class I appliance.
 - This product requires an earth connection to protect against electric shock from accessible conductive parts in the event of a failure of the basic insulation.
 - To reduce the risk of electric shock, avoid contact with earthed objects during use.
 - This product is **NOT** controlled by a built-in manual power switch and will start up when connected to an active mains power supply.
 - **ALWAYS** ensure that the product is positioned correctly and safely before switching on the mains power supply.
 - **ALWAYS** ensure that the water level in the boiler is above the **MIN** marking before connecting the power supply.
 - **ONLY** use clean tap water in the boiler; **DO NOT** attempt to use any other substance to generate steam or clean the inside of the boiler.
 - **NEVER** put detergents, alcohol or descaling products inside this product.
 - **ALWAYS** add water to the boiler **BEFORE** connecting the product to the power supply.
 - **NEVER** exceed the maximum or minimum water level markings when filling or using the product.
-  **WARNING!** The boiler, its contents and the steam plate become very hot during use. **NEVER touch the heated parts of this product during or immediately after operation. ALWAYS hold the steam plate by the handle.**

- **ALWAYS** handle the steam plate and boiler by the built-in handles while the product is heating up, in use or cooling down.
 - **NEVER** direct the steam plate towards yourself or another person or animal.
 - **NEVER** lay the steam plate flat against the floor while the product is heating up, in operation or cooling down.
 - Draper Tools recommends that the steam plate is placed in a suitable heat-proof container while the steamer is switched on but not in use.
 - **NEVER** allow water or steam to enter light fittings, power outlets or other electrical components.
 - Beware of drips from the steam plate, particularly if the steam plate is used overhead, as they may be hot and burn your skin.
 - **NEVER** work on surfaces directly above your head.
 - Frequently and carefully empty any collections of condensation from the steam plate into a suitable container.
 - **NEVER** switch on or use this product without the boiler fill cap, steam hose or steam plate in place and tightly sealed.
 - **DO NOT** overtighten the boiler fill cap, steam hose or steam plate as this may cause steam to leak from the unit.
 - The boiler fill cap may become hot during operation.
 - Ensure that the product has cooled thoroughly before removing the boiler fill cap.
 - **NEVER** remove the steam hose or boiler fill cap during operation as hot steam will be emitted and may cause burns.
 - Disconnect the power supply and allow the boiler and its contents to cool completely before removing the boiler fill cap.
Important: If the element has become exposed, disconnect the power cord from the power supply **IMMEDIATELY**, then allow the product to cool thoroughly before removing the boiler fill cap and topping up the water.
 - **NEVER** obstruct the boiler or steam plate outlets as this may severely damage the product.
 - Stop the product **IMMEDIATELY** if you suspect that the outlet or inlet may be blocked or damaged.
 - The heated surface may be hot immediately after operation; take care not to touch the affected area when removing the wallpaper.
-  **CAUTION! The water in the boiler acts as a coolant for the heater element. The heater element MUST be submerged at all times while it is hot and while the product is on. DO NOT allow the element to be exposed while it is heated or heating as it may overheat and cause significant damage to the product.**
- **ALWAYS** use this product in its upright position and on a firm, level surface.
 - The product must remain level **AT ALL TIMES** during use to ensure that the element is not exposed.
 - If the boiler becomes tilted during use, level it **IMMEDIATELY** and ensure that the element is fully submerged.
 - When working at height, **ALWAYS** ensure that the product is firmly secured and cannot be moved or tipped by pulling on the steam hose.
 - Take particular care that the boiler does not tip when reaching with the steam plate.
 - **DO NOT** stretch or overreach while using this product.
 - Maintain good balance, particularly when working at height.
 - Stretching may cause the product to tip and expose the element, which may bypass the thermal overload feature.
 - **NEVER** allow the boiler to run completely empty.
 - Monitor the water level frequently during and after operation to ensure that the element remains submerged and top up with water as necessary.
 - **DO NOT** leave this product unattended while it is heating up, in use, or cooling down.
 - **DO NOT** use this product with a programmer, timer, separate remote-control system or any other device that switches the product on automatically, or on any circuit that is regularly switched on and off by the utility, as it may pose a hazard if it is switched on unattended.
 - **ALWAYS** disconnect the product from the power supply and allow it to cool before attempting to move, maintain or empty the boiler and steam hose.
 - **NEVER** insert foreign objects into any openings on the product unless otherwise instructed in this manual.

4. Health and Safety Information

- **NEVER** stand or place objects on the boiler or hose.
- Transport the product using the built-in carry handle **ONLY**.
- **NEVER** carry the product by the power cord or steam hose.
- **DO NOT** drag the boiler using the steam hose.

4.3 Connection to the Power Supply

This appliance is supplied with an approved plug and cord for your safety. The value of the fuse fitted is marked on the pin face of the plug. Should the fuse need replacing, ensure the substitute is of the correct rating, approved to BS 1362 and ASTA or BS Kite marked.

ASTA 

BSI 

The fuse can be replaced by removing the cover using a small plain slot screwdriver and removing the broken fuse from its holder. This should only be performed by suitably qualified personnel.

If the power supply cord is damaged, it must be replaced with a special cord available from Draper Tools or its authorised service agent.

This is a Class I[†] product and is designed for connection to a power supply matching that detailed on the rating label and compatible with the plug fitted.


If an extension lead is required, use an approved and compatible lead rated for at least 10A that includes a protective earthing conductor. Follow all the instructions supplied with the extension lead.

If the plug must be connected in an outside environment, ensure that the outlet or extension lead is suitably designed for outside use.

Important: **ALWAYS** follow the extension lead instructions regarding maximum load while the cord is wound. If in doubt, unwind the entire cord. A coiled extension lead generates heat which could melt the lead and cause a fire.

Important: Draper Tools strongly recommends that this product is used with a residual current device (RCD).

ALWAYS read the manufacturer instructions for any RCD use. For your safety, if an extension cord is used, the RCD **MUST** be installed at the power outlet and not into the extension lead.

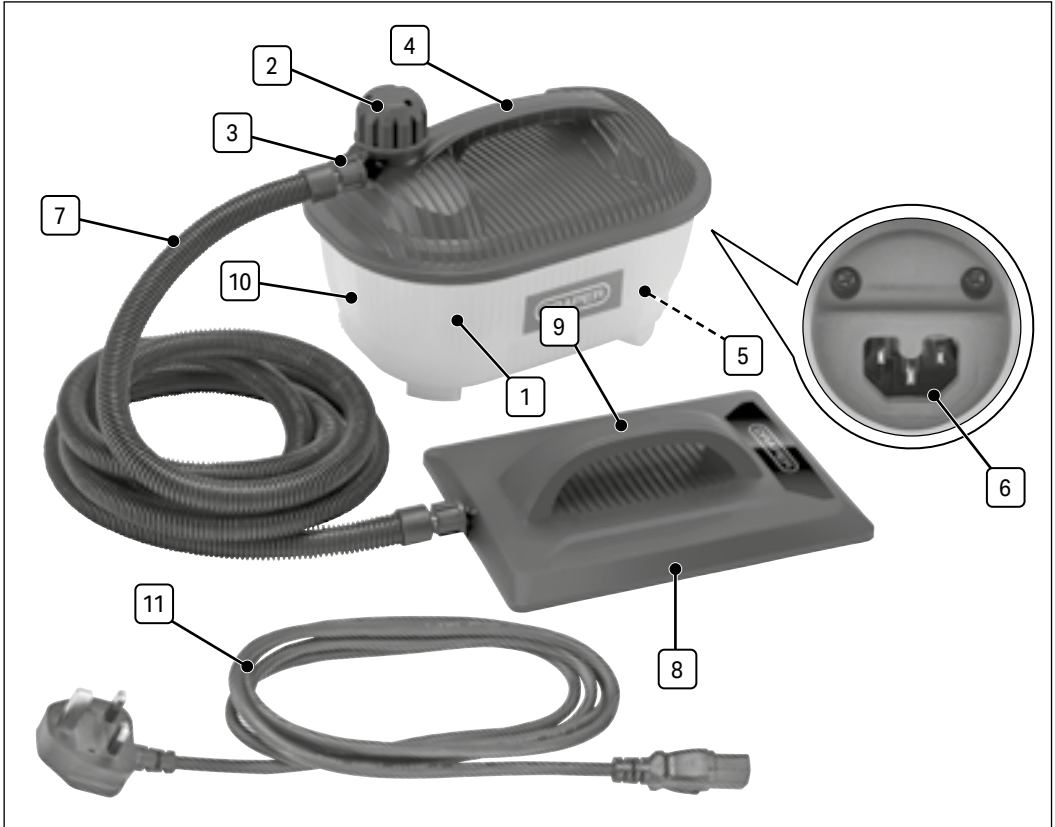
[†] Earthed : This product requires an earth connection to protect against electric shock from accessible conductive parts in the event of failure of the basic insulation.

4.4 Residual Risk

The safety instructions in this manual cannot account for all possible conditions and situations that may occur. Exercise common sense and caution when using this product and protect against any additional conceivable risks.

5. Identification and Unpacking

5.1 Product Overview.



- 1 Boiler
- 2 Boiler fill cap
- 3 Boiler outlet
- 4 Carry handle
- 5 Heater element
- 6 Power cord socket
- 7 Steam hose
- 8 Steam plate
- 9 Steam plate handle
- 10 Water level gauge
- 11 Power cord and plug

5.2 Packaging

Keep the product packaging for the duration of the warranty period for reference should the product need to be returned for repair.



WARNING! Keep packaging materials out of reach of children. Dispose of packaging correctly and responsibly and in accordance with local regulations.

Please visit drapertools.com for our full range of accessories and consumables.

6. Assembling & Operating Instructions

Important: Before assembling or operating this product, read and understand all the safety instructions listed in this manual.

6.1 Assembly

Important: ALWAYS assemble the product fully and pour the water into the boiler before connecting it to a power supply. The water level must remain above the **MIN** marking at all times while the steamer is switched on.

To assemble the wallpaper steamer:

1. Screw one end of the steam hose (7) onto the boiler outlet (3).

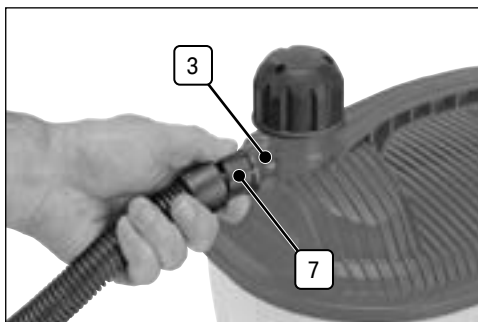


Fig. 1

2. Screw the other end of the steam hose (7) onto the steam plate inlet (8.1).

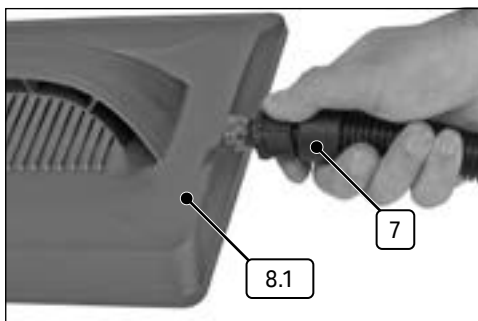


Fig. 2

Important: Take care not to cross the threads or overtighten the joints.

3. Insert the power cord (11) into the power cord socket (6) on the rear of the boiler (1).

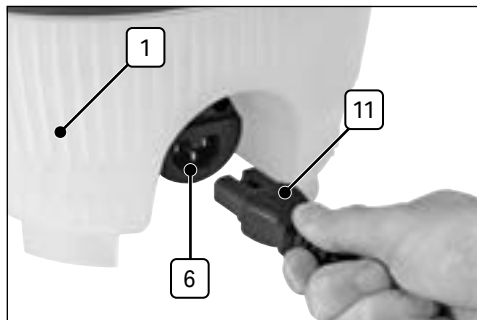


Fig. 3

Important: DO NOT connect the power cord to a mains power supply at this time.

6.2 Checking Plaster

Important: This product is also suitable for use on plaster and drywall surfaces. It is essential to check the condition of the plaster on each surface before you commit to the entire wall. Steam can loosen weak, porous or poorly bonded plaster, particularly if the plaster is cracking or contains holes, or the steam plate is held in the same position for an extended period.

It is often possible to detect weak plaster by tapping a few areas of the wall. If you hear a hollow sound, you should proceed with extreme care. Stop the operation immediately if you hear a cracking sound or the plaster begins to break loose.

Important: ALWAYS test the steamer on a small or discreet area of the wall and check for any damage before working on an entire surface.

6.3 Operation

CAUTION! ALWAYS ensure that the power cord is disconnected from the power supply before preparing the steamer for operation. **DO NOT** connect it to the power supply until you are instructed to do so in this manual.

Important: Cover all nearby electrical outlets and components before using the wallpaper steamer.

Important: ALWAYS test the steamer on a small area of the wall first to ensure that the wall will not be damaged by the operation and to determine how long the steam plate should be held in place to separate the wallpaper.

Important: Some surfaces, such as carpets, soft furnishings and tabletops, may be damaged by the heat generated by the boiler. It is recommended to place a flat and solid barrier (e.g. wooden board) under the steamer to prevent damage to surfaces underneath.

1. Ensure that the power cord is not connected to a power supply and position the steamer on a flat, firm and level surface, with the steam plate in a suitable heat-proof container.

Important: Ensure that the position of the boiler and steam plate (8) will not result in damage while the water is heating up. If you are working at height, ensure that the steamer is secured and cannot move or fall.

2. Ensure that the boiler (1) is cool and twist the boiler fill cap (2) anticlockwise to remove it.

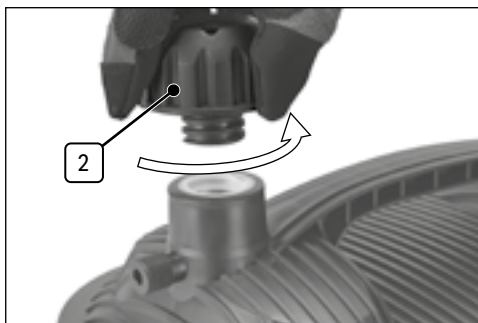


Fig. 4

⚠ WARNING! Hot steam may be emitted from the opening when the boiler fill cap is removed. Take care when loosening and removing the cap.

3. Use a funnel to pour warm water into the boiler fill opening until the desired level is indicated on the water level gauge (10).
- A higher water level will enable the steamer to operate for longer.

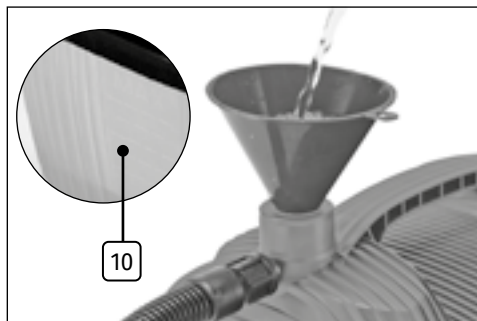


Fig. 5

Important: DO NOT allow the water level rise above the **MAX** marking or drop below the **MIN** marking at any time.

4. Plug into a power outlet; the steamer will begin to heat up once the power outlet becomes active.

Important: It is recommended that an RCD with an operating current of no greater than 30mA is installed into the power outlet to protect you from surges or shock.

5. Allow approximately 10 minutes for a full boiler of water to heat up.

Important: A small amount of hot bubbling water will be expelled from the steam plate shortly before the water reaches temperature; this is normal.

6. For wallpaper that is heavily embossed, vinyl-coated or has been painted over, use a paper perforator or the corner of a wallpaper scraper to gently score the wallpaper with large crosses approximately 150mm apart.

7. Starting at the edge, hold the open face of the steam plate against the wallpaper for approximately 10 seconds.

Important: ALWAYS hold the steam plate by the handle.

⚠ WARNING! Be mindful of water dripping from the steam plate and NEVER work on areas directly above your head. NEVER allow steam or condensation to access electrical outlets or components.

8. Move the steam plate to the area immediately beside the steamed patch and hold it in place for another 10 seconds.
In your other hand, use a wallpaper scraper to loosen and detach the wallpaper from the area steamed first.

6. Assembling & Operating Instructions

9. Repeat this process across the surface until the water level drops to the **MIN** marker on the water level gauge **10**.


Important: DO NOT overreach and ensure that the product remains level throughout the operation. Stretching and overreaching may cause the product to tip and bypass the thermal overload safety feature; see **6.5 Thermal Overload**.

10. To refill the boiler once the **MIN** marker has been reached, see **6.4 Refilling the Boiler During Operation**.

Important: NEVER use the steamer continuously for more than two hours as this will cause the steamer to boil dry.

11. When complete, disconnect the power cord from the power supply and allow at least five minutes for it to cool before removing the fill cap and draining the boiler.

Important: Where the wallpaper is thicker than average or there are multiple layers of paper, the steam plate may need to be held in place for longer in order to separate the paper from the wall. **ALWAYS** test the surface in a small or discreet area first to familiarise yourself with the time needed to loosen the wallpaper.

 **WARNING! Be aware of hot water accumulating in the steam plate as it may cause burns if it comes into contact with your skin.**

6.4 Refilling the Boiler During Operation

 **WARNING! NEVER attempt to refill the boiler while the product is connected to an active power supply. ALWAYS disconnect the unit from the power outlet and allow at least five minutes for it to cool before removing the boiler fill cap.**

To determine whether the boiler **1** has cooled sufficiently, check the weight of the unit. If the boiler feels light after the cooling period, the pressure has dropped and it is safe to open. If the boiler feels heavy, there is still significant pressure inside the unit and it must continue to cool before it can be opened. Try again after approximately 10 minutes if the outside of the boiler is cool to the touch.

When the boiler feels empty, carefully unscrew the boiler fill cap **2**. If steam can be heard escaping from the unit, stop immediately and allow a further 10 minutes for the boiler to cool before continuing. Use a funnel to refill the boiler as required.

Important: Be wary of any residual water in and around the boiler and fill cap as it may still be hot enough to scold.

6.5 Thermal Overload

The water acts as a coolant that prevents the element from reaching unsafe temperatures while the product is switched on.

 **CAUTION! The element MUST remain completely submerged throughout the heating up, operation, and cool down periods.**

The product is fitted with a thermal overload safety feature that automatically switches the unit off if it detects that the temperature of the heater element exceeds 115°C. This may occur if the product is switched on and there is too little water in the boiler.

If the thermal overload feature is activated, allow at least two minutes for the element to cool before refilling the boiler with water. Allow a further 15 minutes for the thermal overload feature to reset before using the product.

Important: It is possible to bypass the thermal overload feature by tipping the steamer if part of the element remains submerged but other areas are exposed. These exposed areas may still heat to abnormal temperatures and damage the unit. Damage caused by an exposed element is not covered under your Draper Tools warranty. Avoid stretching and overreaching as this may cause the steamer to tip and expose the element even if there is still water in the boiler.

Important: ALWAYS ensure that the steamer is disconnected from the power supply and that it and its contents have completely cooled before attempting any maintenance on this product.

7.1 General Maintenance and Storage

This product contains no parts that are serviceable by the user. However, the product should be kept in good condition to ensure a long working life. Maintenance should be carried out **ONLY** by suitably qualified personnel authorised by Draper Tools.

- Clean the product exterior using a dry cloth **ONLY**.
- **NEVER** use detergents, alcohol or descaling products to clean any part of this product.
- Keep the power cord socket, outlets and ventilation points free from dust, debris and other obstructions.
- Ensure that the boiler fill cap is tightly secured before storing the product to prevent dust and debris from entering the boiler.
- **ALWAYS** empty the product and ensure that it has cooled thoroughly before storing it.
- Store the product in an upright position.
- **NEVER** expose the product to frost during storage.
- Store the product in a clean and dry location, out of direct sunlight and out of reach of children.

7.2 Troubleshooting

Problem	Possible Cause	Remedy
The water does not boil.	The thermal overload safety feature has been activated.	Allow at least 15 minutes for the feature to reset.
	The power supply has been interrupted or the plug's fuse has blown.	Check the power supply and power cord connections and replace the fuse in the plug if necessary.
Steam is not emitted from the steam plate.	The steam hose is obstructed or damaged.	Disconnect the power supply and allow the product to cool thoroughly. Check the steam hose for obstructions, pinch points or splits. If the steam hose is damaged, DO NOT continue to use the product. Contact Draper Tools for repair and replacement options.
	The steam plate is obstructed.	Disconnect the power supply and allow the product to cool thoroughly. Check the steam plate for obstructions. If the steam plate is damaged, DO NOT continue to use the product. Contact Draper Tools for repair and replacement options.
	The seals between the boiler, the steam hose and the steam plate are not airtight.	Disconnect the power supply and allow the product to cool thoroughly. Check the connections between the boiler and the steam plate.

8. Spares, Returns and Disposal

For spare parts, servicing, and repair and replacement options, please contact the Draper Tools Product Helpline for details of your nearest authorised agent.

Draper Tools will endeavour to hold any spare parts, if applicable, for seven years from the date that it sells the final matching stock item.

Any servicing or repairs carried out by unauthorised personnel or installation of spare parts not supplied by Draper Tools will invalidate your warranty.

Important: Before returning the product to Draper Tools or its authorised agent ensure the water tank is empty.

At the end of its working life, dispose of the product responsibly and in line with local regulations. Recycle where possible.

DO NOT dispose of this product with domestic waste; most local authorities provide appropriate recycling facilities.



9. Warranty

24 months from date of purchase – Visit [drapertools.com/warranty](https://www.drapertools.com/warranty) for more information.

However, if the tools are hired out, the warranty period is reduced to 90 days from the date of purchase.

This warranty does not cover consumable parts, normal wear & tear, damage, misuse, careless or unsafe handling.

Draper Tools Limited

10. Explanation of Symbols



Read the instruction manual



Wear suitable eye and face protection



Wear protective gloves



Warning!



Warning! Hot surfaces



Warning! Hot water



Warning! Steam



DO NOT over-stretch



DO NOT use on uneven surfaces



Rated input



Steam hose length



Water reservoir capacity



Approved power cord length



Resistant to splashes of water from any direction



Wear protective gloves



Product weight



Class I appliance



WEEE –
Waste Electrical & Electronic Equipment
Do not dispose of Waste Electrical & Electronic Equipment
in with domestic rubbish



European conformity



UK Conformity Assessed

Contact Details

Draper Tools Limited

Hursley Road
Chandler's Ford
Eastleigh
Hampshire
SO53 1YF
UK

Website: drapertools.com

Email: sales@drapertools.com

Product Helpline: +44 (0) 23 8049 4344

Telephone Sales Desk: +44 (0) 23 8049 4333

General Enquiries: +44 (0) 23 8026 6355

Draper Tools Europe B.V.

Oude Graaf 8
6002 NL
Weert
Netherlands

Please contact the Draper Tools Product Helpline for repair and servicing enquiries.