

DRAPER

EN

Original Instructions
Version 2 - March 2026

20 TONNE AIR
**BOTTLE
JACK**

26780



**UK
RA** **CE**

These are the original product instructions. This document is part of the product; retain it for the life of the product, passing it on to subsequent holders.

Read this manual in full before attempting to assemble, operate or maintain this product.

1.1 Product Reference

User Manual for: 20 Tonne Air Bottle Jack

Stock No: 26780

Part No: BJA20

1.2 Revisions

Version 1: April 2024

First release

Version 2: March 2026

As our manuals are continually updated, always ensure that the latest version is used.

Please visit drapertools.com/manuals for the latest version of this manual and the associated parts list, if applicable.

1.3 Understanding the Safety Content of This Manual



WARNING! – Situations or actions that may result in personal injury or death.



CAUTION! – Situations or actions that may result in damage to the product or surroundings.

Important: – Information or instructions of particular importance.

2. Contents

1. Preface	2	6. Operating Instructions	7
1.1 Product Reference	2	6.1 Assembly	7
1.2 Revisions	2	6.2 Raising a Load	8
1.3 Understanding the Safety Content	2	6.3 Lowering a load	8
2. Contents	2	7. Maintenance & Troubleshooting	9
3. Product Introduction	3	7.1 General Maintenance	9
3.1 Intended Use	3	7.2 Checking and Replacing the Oil	9
3.2 Specification	3	7.3 Troubleshooting	10
3.3 Explanation of Symbols	3	8. Disposal	10
4. Health and Safety Information	4	9. Warranty	11
4.1 General Health and Safety Precautions	4		
4.2 Preparing the Vehicle to be lifted	4		
4.3 Correct Use of the Jack	5		
4.4 Residual Risk	5		
5. Identification and Unpacking	6		
5.1 Product Overview	6		
5.2 Packaging	6		

3.1 Intended Use

This jack is designed for lifting vehicles up to the maximum stated weight limit either by compressed air or manual operation.

Any other application beyond the conditions established for use will be considered misuse. Draper Tools accepts no responsibility for improper use of this product.

This product is intended for domestic and infrequent light-duty trade use.

Read this manual in full before attempting to assemble, operate or maintain the product, and retain it for later use.

3.2 Specification

Stock No.	26780
Part No.	BJA20
Lift capacity	20,000kg
Minimum height	245mm
Maximum height	475mm
Screw extension	80mm
Air pressure operation	0.7 – 1mpa
Air coupler	¼" BSP
Net weight	16kg
Jack handle length	650mm

3.3 Explanation of Symbols



Read the instruction manual



Support raised vehicles with axle stands



Warning!



Do not work under vehicles when supported only by a jack



Use only on level surfaces



Bleed the jack before every use



Apply the handbrake and put the vehicle in gear



Use AW 22 hydraulic oil



Chock all grounded wheels

Important: Read all the Health and Safety instructions before attempting to operate, maintain or repair this product. Failure to follow these instructions may result in injury or damage to the user, the product or the vehicle to be lifted. Draper Tools accepts no responsibility for improper use of this jack.

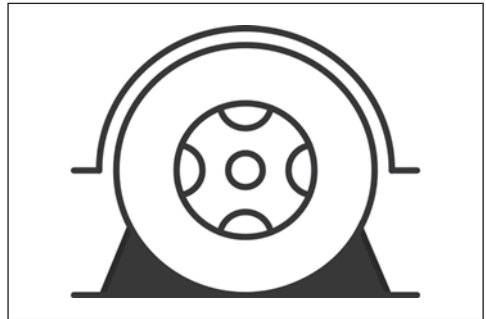
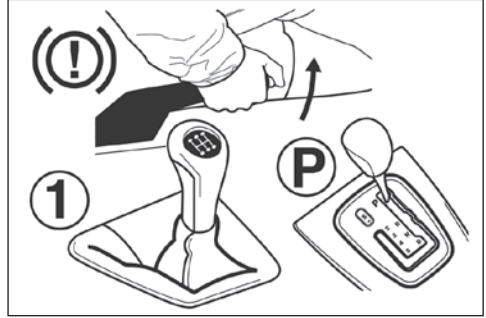
4.1 General Health and Safety Precautions

- Only authorised personnel who have carefully read and understood this manual should operate this product.
- **ALWAYS** wear adequate protective footwear when using the jack.
- **ALWAYS** ensure that the working area is well illuminated and free from obstructions.
- Keep bystanders at a safe distance during operation.
- Allow a minimum distance of 0.5m between the vehicle and surrounding objects to allow the vehicle to tip when lifted.
- Care must be taken when handling and lifting.
 - Dropping the jack may result in damage to the product or personal injury.

DO NOT modify this product in any way.

- Stay alert to external interference that may cause the raised load to rock during preparation and operation.
- Ensure that the load to be lifted does not exceed the maximum capacity specified for the jack.
- When not in use, lower the handle and remove from the jack. This prevents the handle shaft from creating a trip hazard and holds it in the upright position.

4.2 Preparing the Vehicle to be lifted

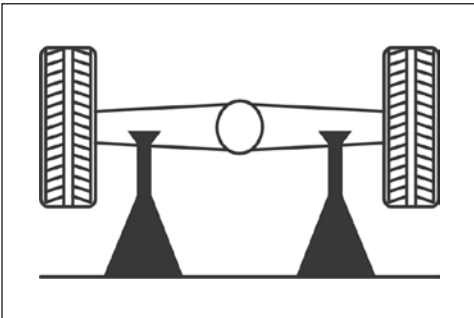
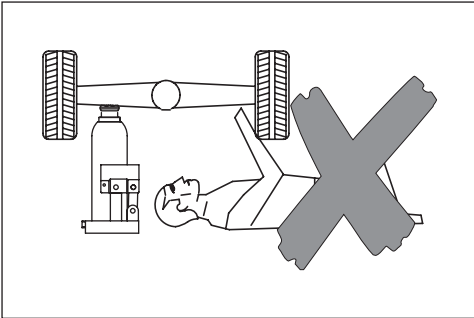
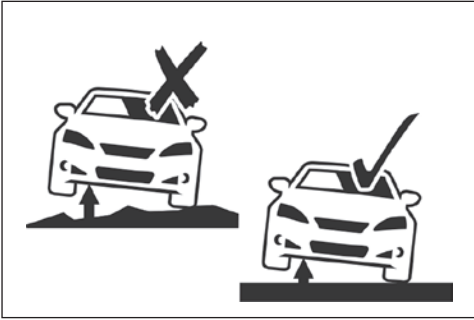


WARNING! DO NOT lift the vehicle if it may result in the spillage of dangerous substances, including fuel or battery acid.

- Ensure that there is no one inside the vehicle.
- Switch off the engine and apply the handbrake.
- Put the vehicle into gear (for manual transmission) or "Park" (for automatic transmission).
- Take any necessary precautions to prevent the vehicle from sliding.
- Grounded wheels should be securely blocked with wheel chocks.

4.3 Correct Use of the Jack

Important: The jack is a lifting device **ONLY** and should never be used to move the vehicle. The vehicle to be lifted should never exceed the rated capacity of the jack.



- **ALWAYS** bleed the jack piston before use.
- **ONLY** operate the jack on solid, level and horizontal surfaces.
 - A concrete surface is recommended, where possible.

WARNING! Never use the jack on any surface that is slippery or may sink or rock.

- When positioning the jack, **ALWAYS** use the manufacturer's recommended lifting point.
 - These points vary between vehicles; consult the manufacturer's manual or the Haynes workshop manual for the specific vehicle information.
- Ensure that the lifting point is not dirty, greasy or corroded.
- The lifting point must remain centred over the saddle during raising and lowering; off-centred loads may slip and cause injury.
- Position the jack so that no part of the operator is required to be underneath the vehicle at any time during lifting or lowering.
- To prevent overloading, the jack is fitted with an overload valve set at the factory.

Important: The overload valve should not be adjusted under any circumstances. If the capacity of the jack is exceeded, the valve will prevent the lifting operation.
- Take all precautions to prevent movement of the vehicle during raising and lowering.
 - Be aware that traffic and other external forces may cause the load to rock if used at the roadside.
- Remain alert and observe the load at all times during operation.
 - Should any dangerous conditions occur, including unexpected movement of the vehicle, cease all operation until these conditions have been rectified.
- **NEVER** work under a raised vehicle without using the correct axle supports or other appropriate supporting methods.
- **DO NOT** enter the vehicle or start the engine while it is supported on the jack or axle stand.
- **NEVER** leave the jack unattended when in use.
- **NEVER** detach the handle shaft while the jack is under load.
- **ALWAYS** ensure that there are no persons or obstacles beneath the vehicle before lowering.

4.4 Residual Risk

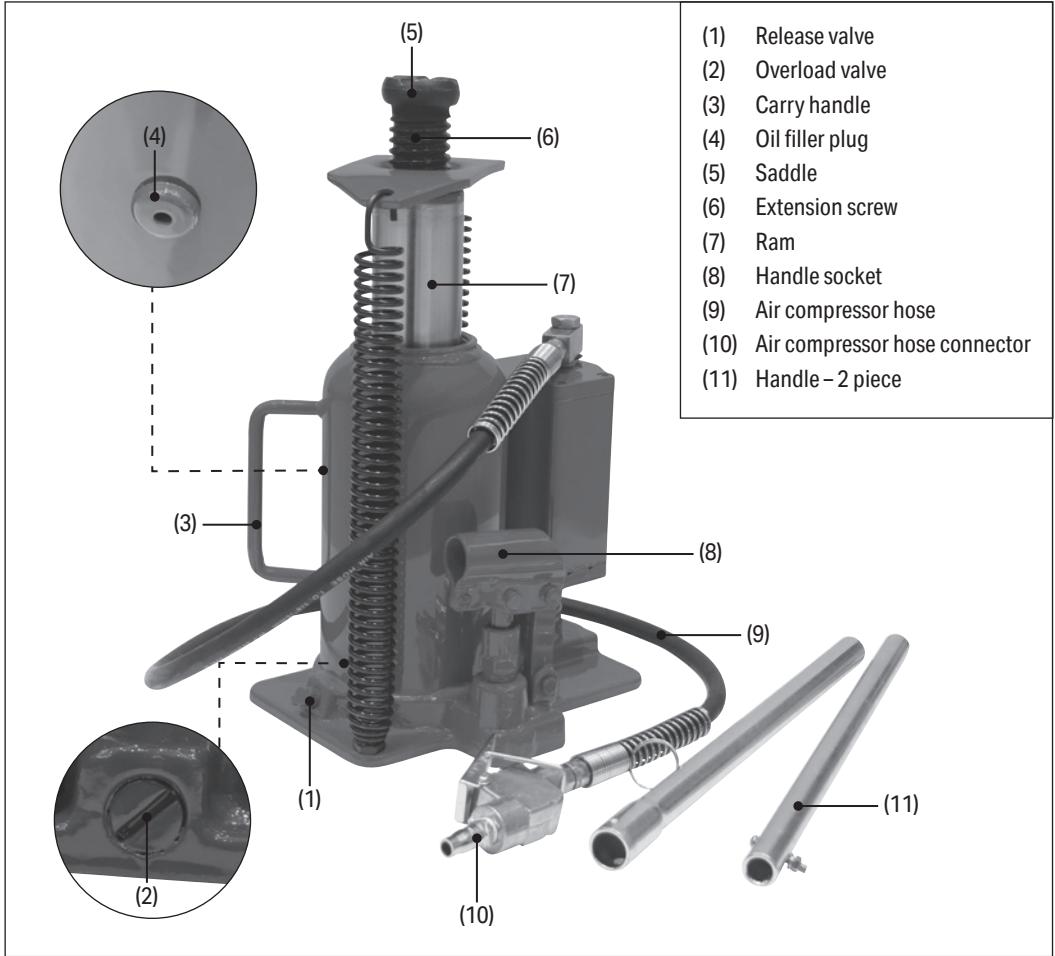
The safety instructions in this manual cannot account for all possible conditions and situations that may occur. Exercise common sense and caution when using this product and protect against any additional conceivable risks.

5. Identification and Unpacking

Carefully remove the product from the packaging and examine it for any signs of damage that may have occurred during shipment. If any part is damaged or

missing, do not attempt to use the product. Please contact the Draper Helpline; contact details can be found at the back of this manual.

5.1 Product Overview



5.2 Packaging

Keep the product packaging for the duration of the warranty period in case the product needs to be returned for repair.



WARNING! Keep packaging materials out of reach of children. Dispose of packaging correctly and responsibly and in accordance with local regulations.

Please visit drapertools.com for our full range of accessories and consumables.

6. Operating Instructions

Important: Before lifting any load, read and understand all the safety instructions listed in this manual. **ALWAYS** bleed the jack piston before use.

6.1 Assembly

Prepare the jack correctly before each use:

1. Check the jack for bent, broken, cracked or loose parts and oil leaks.

WARNING! Do not use the product if defects are present. If it is suspected that the jack has been subjected to abnormal loads or has suffered any knocks, withdraw it from service until the product has been repaired.

2. Connect the two parts of the handle (11) together.

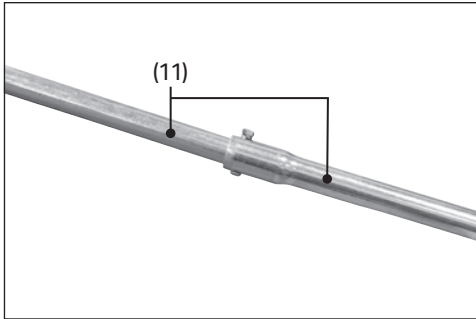


Fig. 1

3. Bleed the jack piston.
 - a. Close the release valve (1) by using the end of the handle to turn clockwise.

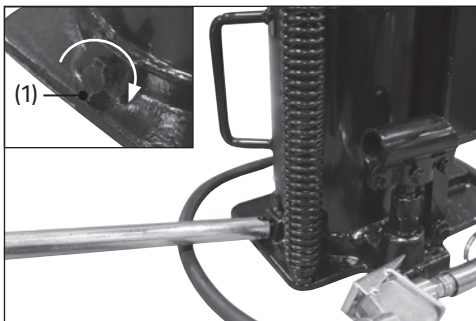


Fig. 2

- b. Then insert the handle (11) into the handle socket (8).
- c. Manually pump the handle until the jack is at full height.

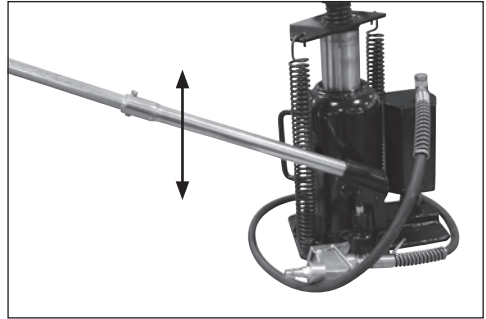


Fig. 3

- d. Attach the handle to the release valve and open by turning anti-clockwise.

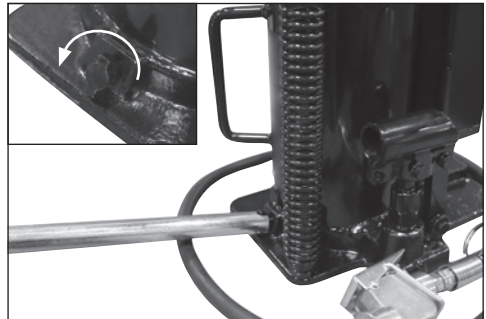


Fig. 4

- e. Then push down on the ram (7) to lubricate the piston and expel any accumulated air. Repeat these steps if required.
4. The jack is now ready to use.

CAUTION! DO NOT overtighten the valve as this may damage the seal.

6.2 Raising a Load

1. Position the jack directly beneath the approved vehicle lifting point.
 - See the vehicle manufacturer's information for the approved lifting points.
2. The jack can be operated manually or by an external compressed air supply. Either insert the handle into the handle socket (8) or use the connector (10) to connect to an external compressed air supply.

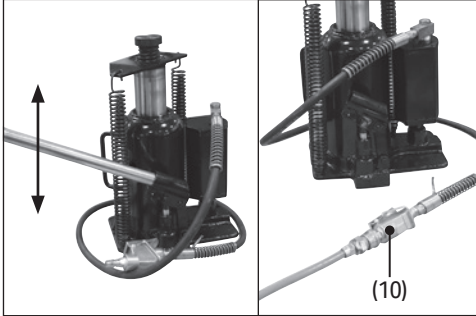


Fig. 5

3. To raise the jack first turn the release valve (1) clockwise until closed.

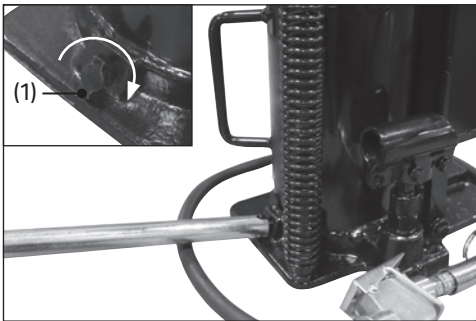


Fig. 6

4. Then pump the handle shaft up and down until contact is made with the vehicle and check that the saddle (5) is positioned correctly. Alternatively connect to the air supply and open the air valve.
 - If required turn the saddle (5) anti-clockwise to use the extension screw to increase the height of the ram.

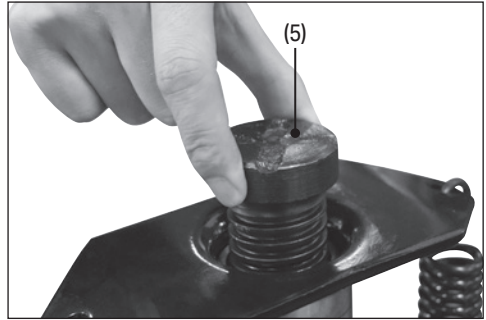


Fig. 7

5. Immediately secure the raised vehicle with appropriate axle stands, as instructed by the vehicle manufacturer.
Note: To prevent damage to the jack or the vehicle, never move the jack during and operation and always use axle stands.

6.3 Lowering a load



WARNING! Always ensure that there are no persons or obstacles beneath the vehicle before lowering.

1. Gently pump the handle shaft to raise the vehicle slightly then remove the axle stand once it is safe to do so.
2. When the axle stand is clear, carefully turn the release valve anticlockwise (two full turns) with the handle to gently lower the load.

Do not turn the handle shaft more than a half turn at a time during lowering. Lowering speed is controlled by the amount the release valve is opened.

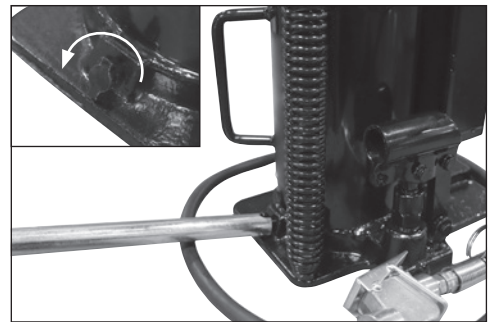


Fig. 8

If the ram height was extended, turn the extension screw clockwise to retract the ram.

Important: Maintenance and repair of the jack must only be performed by qualified personnel with sufficient knowledge of the hydraulics systems used in these devices.

7.1 General Maintenance

- When the jack is not in use, store without the handle fitted.
- Keep the jack clean and regularly lubricate all external moving parts at least every 3 months. With the release valve open, manually pump the handle six times.
 - Dust and debris may cause components to become clogged or jammed, and the product may not perform at its best.
 - Protect the jack and its components from adverse environmental and weather conditions, both during use and when stored. The components may rust if exposed to damp air for prolonged periods.
- Use only spare parts supplied by Draper Tools.
- Before each use, check the jack for signs of damage or defects.

7.2 Checking and Replacing the Oil

To extend the working life of the product, keep the oil at an appropriate level and replace it after periods of prolonged intensive use.

 **CAUTION! Use SAE10 hydraulic oil. Never use brake or engine oil.**

 **WARNING! Oil spillage may cause the operating surface to become slippery. Do not operate the jack on oily surfaces.**

To check, drain and refill the oil chamber:

1. Place the jack upright on a level, horizontal surface.
2. Fully lower the ram (7) and turn the release valve (1) anti-clockwise to open.

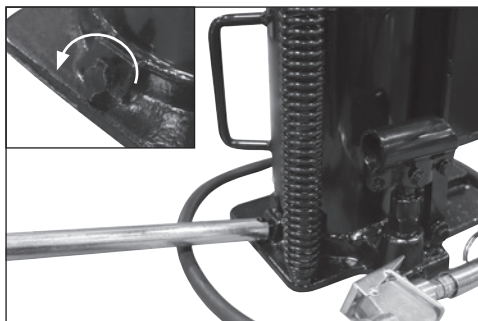


Fig. 9

3. Remove the oil filler plug (4) and check the oil level.

Important: The correct oil level is 5mm below the filler plug hole.

4. If the oil is dirty or needs replacing:
 - a. Drain any remaining contents into a container.
 - b. Refill the chamber with new oil as required, keeping the oil free of dirt.

 **CAUTION! Excessive quantities of oil may render the jack inoperable.**

5. Replace the oil filler plug and wipe away any excess oil.

7.3 Troubleshooting

Problem	Possible Cause	Remedy
The jack will not operate.	Low air pressure.	Keep air pressure between 0.7 – 1.0 MPA.
	The maximum load has been exceeded.	Use an appropriately rated jack or reduce the weight of the load. DO NOT adjust the overload valve.
	Lack of oil.	Check oil level and add if low (Refer to 7.2).
	Piston system is corroded.	DO NOT use the jack. Contact Draper Tools to discuss repair or replacement options.
Ram will not lift up or rise to highest position.	Release valve is open.	Close valve by turning clockwise.
	Lack of oil.	Check oil level and add if low (Refer to 7.2).
Saddle drops once lifted.	Release valve is open.	Close valve by turning clockwise.
	Hydraulics mechanism is damaged.	DO NOT use the jack. Contact Draper Tools to discuss repair or replacement options.

8. Disposal

At the end of its working life, or when it can no longer be repaired, dispose of the jack according to local regulations.

ALWAYS drain the jack of oil before disposal. Dispose of oil according to local regulations.

Contact your local authority for details of collection schemes in your area.

In all circumstances:

- **DO NOT** dispose of this product with domestic waste.
- Before decommissioning, drain and dispose of the oil from the jack in line with local regulations.
- **DO NOT** abandon in the environment.

Draper Tools products are carefully tested and inspected before shipment and are guaranteed to be free from defective materials and workmanship.

Should the tool develop a fault, return the complete tool to your nearest distributor or contact Draper Tools directly. Contact information can be found at the back of this manual.

Proof of purchase must be provided.

If, upon inspection, it is found that the fault occurring is due to defective materials or workmanship, repairs will be carried out free of charge. This warranty period covers parts and labour for 12 months from the date of purchase. Where tools have been hired out, the warranty period covers 90 days from the date of purchase.

This warranty does not apply to any consumable parts, batteries or normal wear and tear, nor does it cover any damage caused by misuse, careless or unsafe handling, alterations, accidents, or repairs attempted or made by any personnel other than the authorised Draper Tools repair agent.

In all cases, to make a claim for faulty workmanship or materials within the standard warranty period, please contact or return the product to the place of purchase. Proof of purchase may be required.

If the place of purchase is no longer trading or if you experience any difficulties with your warranty, please contact Customer Services with the product details and your proof of purchase. Contact details can be found at the back of this manual.

If the tool is not covered by the terms of this warranty, repairs and carriage charges will be quoted and charged accordingly.

This warranty supersedes any other guarantees expressed or implied and variations of its terms are not authorised.

Your Draper Tools guarantee is not effective until you can produce, upon request, a dated receipt or invoice to verify your purchase within the guarantee period.

Please note that this warranty is an additional benefit and does not affect your statutory rights.

Draper Tools Limited

Contact Details

Draper Tools

Draper Tools Limited
Hursley Road
Chandler's Ford
Eastleigh
Hampshire
SO53 1YF
UK

Website: drapertools.com

Email: sales@drapertools.com

Product Helpline: +44 (0) 23 8049 4344

Telephone Sales Desk: +44 (0) 23 8049 4333

General Enquiries: +44 (0) 23 8026 6355

Draper Tools Europe B.V.

Oude Graaf 8
6002 NL
Weert
Netherlands

Please contact the Draper Tools Product Helpline for repair and servicing enquiries.