

**DRAPER**

**EN**

Original Instructions  
Version 5  
January 2026

230V WET AND DRY

# VACUUM CLEANERS

20514, 20515



UK  
CA **CE**

# 1. Preface

These are the original product instructions. Read the instruction manual in full and retain for future reference. Please visit [drapertools.com/manuals](http://drapertools.com/manuals) for the latest version of this manual and the associated parts list, if applicable.

## 1.1 Product Reference

User Manual for: 230V Wet and Dry Vacuum Cleaners

Stock No: 20514, 20515

Part No: WDV15SS, WDV20BSS

## 1.2 Revisions

Version 1: August 2016

First release

Version 2: January 2017

Version 3: April 2022

Version 4: August 2024

Version 5: January 2026

## 1.3 Understanding the Safety Content of This Manual



**WARNING!** – Situations or actions that may result in personal injury or death.



**CAUTION!** – Situations or actions that may result in damage to the product or surroundings.

**Important:** – Information or instructions of particular importance.

## 1.4 Copyright © Notice

Copyright © Draper Tools Limited.

Permission is granted to reproduce this manual for personal and educational use **ONLY**. Commercial copying, redistribution, hiring or lending is strictly prohibited.

No part of this manual may be stored in a retrieval system or transmitted in any other form or means without written permission from Draper Tools Limited.

In all cases, this copyright notice must remain intact.

# 2. Contents

|  |          |   |           |
|--|----------|---|-----------|
| <b>1. Preface</b>                                    | <b>2</b> | <b>5. Identification and Unpacking</b>    | <b>6</b>  |
| 1.1 Product Reference                                | 2        | 5.1 Product Overview                      | 6         |
| 1.2 Revisions  | 2        | 5.2 What's in the Box?                    | 7         |
| 1.3 Understanding the Safety Content of This Manual  | 2        | 5.3 Packaging                             | 7         |
| 1.4 Copyright © Notice                               | 2        | <b>6. Assembly Instructions</b>           | <b>8</b>  |
| <b>2. Contents</b>                                   | <b>2</b> | 6.1 Fitting the Castors (Fig.1)           | 8         |
| <b>3. Product Introduction</b>                       | <b>3</b> | <b>7. Assembly Instructions</b>           | <b>8</b>  |
| 3.1 Intended Use                                     | 3        | <b>8. Operating Instructions</b>          | <b>9</b>  |
| 3.2 Specification                                    | 3        | 8.1 Dry Vacuuming (Fig.4 – Fig.5)         | 9         |
| <b>4. Health and Safety Information</b>              | <b>4</b> | 8.2 Wet Vacuuming (Fig.6 – Fig.7)         | 10        |
| 4.1 General Health and Safety Precautions            | 4        | 8.3 Blower Function (Fig.8)               | 10        |
| 4.2 Additional Health and Safety For Vacuum Cleaners | 4        | <b>9. Maintenance and Troubleshooting</b> | <b>11</b> |
| 4.3 Connection to the Power Supply                   | 4        | 9.1 Troubleshooting                       | 11        |
| 4.4 Residual Risk                                    | 5        | <b>10. Spares, Returns and Disposal</b>   | <b>11</b> |
|  |          | <b>11. Warranty</b>                       | <b>12</b> |
|  |          | <b>12. Explanation of Symbols</b>         | <b>12</b> |

# 3. Product Introduction

## 3.1 Intended Use

This vacuum cleaner has a blower function and is designed to pick up both wet and dry material. Ideally suited for use in a workshop or garage and for DIY around the home.

Any other application beyond the conditions established for use will be considered misuse. Draper Tools accepts no responsibility for improper use of this product.

This product is intended for domestic and infrequent light-duty trade use.

Read this manual in full before attempting to assemble, operate or maintain the product, and retain it for later use.

## 3.2 Specification

|                                    |                 |                 |
|------------------------------------|-----------------|-----------------|
| Stock No.                          | 20514           | 20515           |
| Part No.                           | WDV15SS         | WDV20BSS        |
| Rated Voltage                      | 230V/50Hz       | 230V/50Hz       |
| Rated Input                        | 1250W           | 1250W           |
| Maximum Vacuum Pressure            | 15Kpa (150mbar) | 15Kpa (150mbar) |
| Maximum Air Flow                   | 25L/sec         | 25L/sec         |
| Tank Capacity                      | 15L             | 20L             |
| Liquid Volume                      | 8L              | 13L             |
| Sound Pressure Level               | 86dB(A)         | 86dB(A)         |
| Protection Rating                  | IPX4            | IPX4            |
| Power Cord Length (approx.)        | 5M              | 5M              |
| Net Weight (excluding accessories) | 4.53kg          | 4.62kg          |

**Important:** The declared noise emissions values have been measured in accordance with a standard test method and may be used for comparing one tool with another. These values may also be used in a preliminary assessment of exposure.



**WARNING!** The noise emissions during actual use of the product can differ from the declared values depending on the type of work and the area upon which it is used. Before each use, estimate the likely exposure resulting from the actual conditions of use. Take into account all parts of the operation cycle in order to identify any safety measures required to protect the operator.

## 4. Health and Safety Information

---

**Important:** Read all the Health and Safety instructions before attempting to operate, maintain or repair this product. Failure to follow these instructions may result in injury or damage to the user or the product.

### 4.1 General Health and Safety Precautions



#### **WARNING!**

To reduce the risk of electric shock or injury:

- **DO NOT** leave the appliance unattended when plugged in or switched on.
- **ALWAYS** switch off and unplug from the power supply when not in use, changing accessories or performing any cleaning or maintenance.
- **DO NOT** use this appliance near flammable liquids, gases or explosive vapours or dust. Sparks inside the motor can ignite flammable vapours or dust.



**DANGER! DO NOT vacuum hot or glowing ash, cigarette ends, matches or anything that is burning.**

Keep the cord away from hot surfaces and sharp edges.

- **DO NOT** expose to rain or very damp conditions.
- **DO NOT** pull or carry the appliance by the power cord.
- **DO NOT** pull the plug from the socket by the cord. To unplug grasp by the plug, not the cord.
- **DO NOT** use with a damaged or worn cord, plug or any other parts.
- If the appliance is not working, has been damaged, left outside or dropped in water, get it checked and repaired by a qualified person.
- **DO NOT** run the appliance over the cord.
- **DO NOT** touch the cord or appliance with wet hands.
- This appliance can be used by children aged from 8 years and above and persons with reduced physical, sensory or mental capabilities or lack of experience and knowledge if they have been given supervision or instruction concerning use of the appliance in a safe way and understand the hazards involved. Children shall not play with the appliance. Cleaning and user maintenance shall not be made by children without supervision.

### 4.2 Additional Health and Safety For Vacuum Cleaners

- **DO NOT** modify the appliance and only use for its intended use.
- Wear protective clothing and gloves.
- **DO NOT** allow untrained persons to operate the cleaner.
- To reduce the risk of health hazards from vapours and dust, **DO NOT** vacuum toxic materials.
- **DO NOT** use or store near hazardous materials.
- **DO NOT** use with a damaged filter or without a filter installed.
- **DO NOT** place any objects into the ventilation openings and **DO NOT** use if the ventilation openings are blocked.
- The hose should be checked regularly and must not be used if damaged.
- Unplug before connecting the hose.
- To reduce the risk of falls, take extra care when cleaning stairs.
- Keep hair, loose clothing and fingers away from openings and moving parts.
- Only use and replace with recommended parts and attachments.
- When using as a blower:
  - **DO NOT** point or direct the air hose at bystanders or animals.
  - Wear eye protection and a dust mask.
  - Keep children and bystanders away from the work area.

### 4.3 Connection to the Power Supply

This appliance is supplied with an approved plug and cord for your safety.

If the power supply cord is damaged, it must be replaced by Draper Tools, an authorised service agent or similarly qualified personnel in order to avoid a hazard.

The damaged or incomplete plug, when cut from the cord, shall be disabled to prevent connection to a live electrical outlet.

This appliance is a Class II† and is designed for connection to a power supply matching that detailed on the rating label and compatible with the plug fitted.

The value of the fuse fitted is marked on the pin face of the plug. Should the fuse need replacing, use a small plain-slot screwdriver to remove the fuse cover.

Ensure the substitute is of the correct rating, approved to BS 1363/A and ASTA or BS Kite marked. This should only be performed by suitably qualified personnel.

ASTA 

BSI 


If an extension lead is required, use an approved and compatible lead rated for this appliance.

Follow all the instructions supplied with the extension lead.

**Important: ALWAYS** follow the extension lead instructions regarding maximum load while the cable is wound. It is recommended that the power cord and/or the extension lead are fully unwound before connecting to a power supply. A coiled extension lead generates heat which could melt the lead and cause a fire.

†Double insulated : This product is double insulated and does not require an earth connection to protect against electric shock from accessible conductive parts in the event of failure of the basic insulation.

It is recommended that this vacuum cleaner is used with a residual current device (RCD).

†Double insulated  : This product requires no earth connection as supplementary insulation is applied to the basic insulation to protect against electric shock in the event of failure of the basic insulation.

### 4.4 Residual Risk

The safety instructions in this manual cannot account for all possible conditions and situations that may occur. Exercise common sense and caution when using this product and protect against any additional conceivable risks.

# 5. Identification and Unpacking

## 5.1 Product Overview



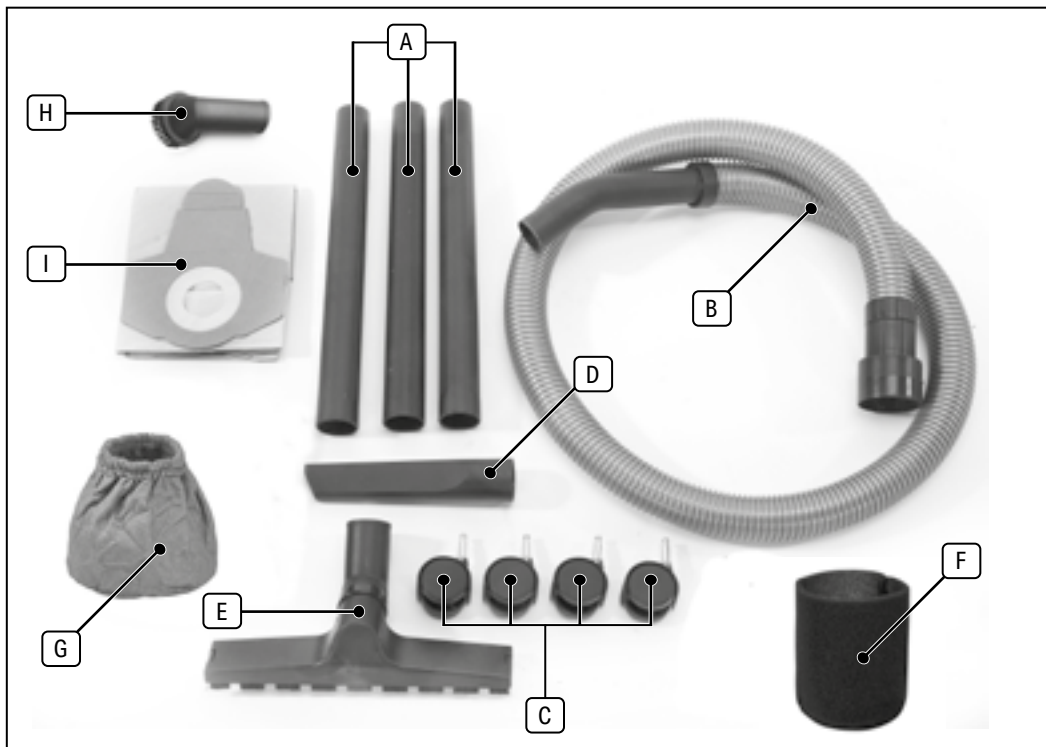
- 1 ON/OFF switch
- 2 Carrying handle
- 3 Blower port
- 4 Motor/pump housing
- 5 Power cord and plug

- 6 Retaining clips
- 7 Tank
- 8 Accessory holders
- 9 Vacuum port

## 5.2 What's in the Box?

Carefully remove the product from the packaging and examine it for any signs of damage that may have occurred during shipment.

Before assembling the product, lay the contents out and check them against the parts shown below. If any part is damaged or missing, **DO NOT** attempt to use the product. Please contact the Draper Helpline; contact details can be found at the back of this manual.



- A** 3 × Extension tubes
- B** Flexible suction hose
- C** 4 × Castors
- D** Crevice tool
- E** Double function floor brush

- F** Foam filter
- G** Cloth filter
- H** Round brush
- I** Paper dustbag

## 5.3 Packaging

Keep the product packaging for the duration of the warranty period for reference should the product need to be returned for repair.



**WARNING! Keep packaging materials out of reach of children. Dispose of packaging correctly and responsibly and in accordance with local regulations.**

Please visit [drapertools.com](http://drapertools.com) for our full range of accessories and consumables.

## 6. Assembly Instructions

---

**Important:** Before preparing or adjusting this product, read and understand all the safety instructions listed in this manual. Ensure that the vacuum cleaner is unplugged from the power supply before assembling.

**Note:** Remove all the accessories from inside the tank before fitting the castors and setting up the vacuum cleaner.

### 6.1 Fitting the Castors (Fig.1)

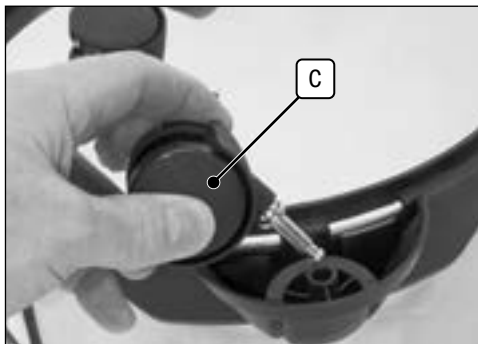


Fig. 1

- Firmly press the four castors **C** into the underside of the tank base. (Fig. 1).

## 7. Assembly Instructions

---

• **Ensure the vacuum is unplugged from the power outlet before assembling.**

1. Release the retaining clips **6** and lift off the motor housing. (Fig. 2).

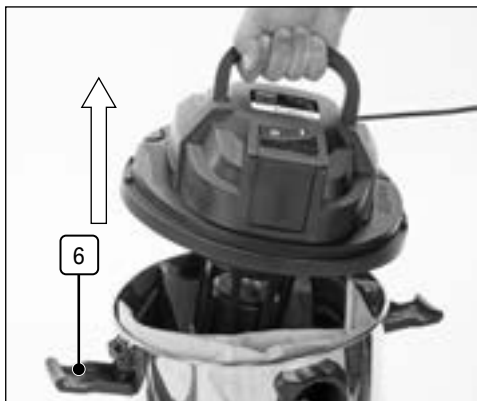


Fig. 2

2. Fit the required and correct filter.
  - **Cloth filter** **G** and paper dustbag **I** for dry vacuuming (refer to **Section 8.1**). **NOT** suitable for wet vacuuming.
  - **Foam filter** **F** for wet vacuuming only (refer to **Section 8.2**). **NOT** suitable for dry vacuuming.
3. Refit the motor housing **4** and secure using the two retaining clips **6**.

4. Push the flexible hose (B) into the port (9), align the notch with the arrow on the port housing. Then turn anticlockwise to lock in place. (Fig. 3).
  - **To remove the hose, twist clockwise and pull out.**

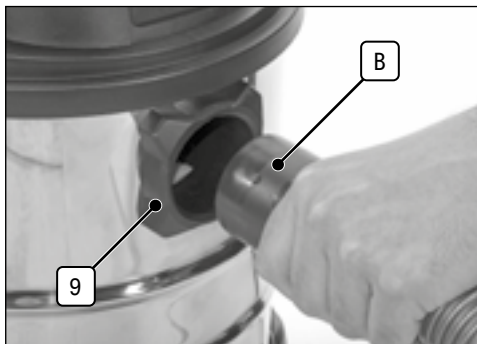


Fig. 3

5. Fit the required extension tubes (A) and attachment to the end of the hose.
  - **Use the double function floor brush (E) on hard floors, parquet, cork, vinyl, ceramic etc.**
6. Connect to the power supply and push the 'ON/OFF' switch to the 'ON' position. (Fig. 4).



Fig. 4

## 8. Operating Instructions

**Important:** Before operating this product, read and understand all the safety instructions listed in this manual. Ensure that the product is fully assembled and correctly set up for use.

- **DO NOT operate the vacuum cleaner without the correct filter fitted.**
- Empty the tank before changing between wet and dry vacuuming.

### 8.1 Dry Vacuuming (Fig.5 – Fig.6)

1. Ensure the vacuum is unplugged from the power outlet.
2. Fit the cloth filter (G) over the filter cage (4.1). Ensure that it is pushed down securely and fully covers the filter/float cage. (Fig. 5).
  - **DO NOT** use the cloth filter for liquid vacuuming.

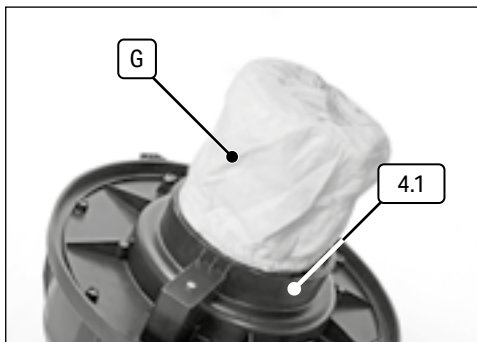


Fig. 5

## 8. Operating Instructions

- **Optional** – for improved filtration, fit a paper dust bag (I) as well as the cloth filter. As suction power decreases, replace the dustbag. (Fig. 6).



Fig. 6

### 8.2 Wet Vacuuming (Fig.7 – Fig.8)

1. Ensure the vacuum is unplugged from the power outlet.
2. Remove the dustbag (I) and cloth filter (G) if fitted.
3. Fit the foam filter (F) by carefully sliding the foam sleeve completely over the filter/float cage (4.1). (Fig. 7).

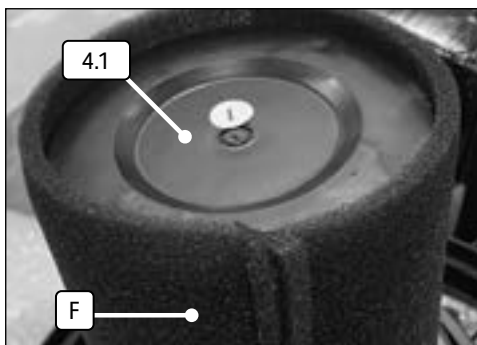


Fig. 7

#### Important:

- When vacuuming large quantities of liquid use the crevice tool (D). **DO NOT** immerse the tool nozzle completely in the liquid to allow for adequate air flow.

- The vacuum is fitted with a float valve (4.2) that will cause the motor to work harder and become noisier when the maximum liquid level is reached. Empty the tank. (Fig. 8).

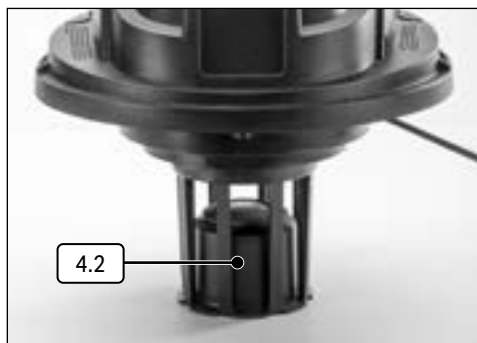


Fig. 8

### 8.3 Blower Function (Fig.9)

1. Ensure the vacuum cleaner is switched off and unplugged.
2. Check that the tank is empty before using the blower.
3. Connect the flexible hose to the blower port (3), align the notch with the arrow on the port housing. Then turn anticlockwise to lock in place. (Fig. 9).
4. Connect to the power supply and push the 'ON/OFF' switch to the 'I' position.



Fig. 9

**Important: ALWAYS** unplug from the power supply before carrying out any cleaning, adjustments, servicing or maintenance.

- Clean and maintain the vacuum cleaner correctly and regularly to ensure optimum performance.
- **DO NOT** use abrasives or solvents to clean this product.
- **Wet Vacuuming** – To prevent the risk of mildew, empty the tank and clean both inside and outside. Remove the foam filter and allow to dry before storage.
- Clean the cloth or foam filter with mild soap and water. Dry before refitting.
- The motor must be correctly ventilated during operation, so avoid blocking the air inlets.
- If the plug or power supply cord is damaged it must, for safety reason be replaced by Draper Tools, an authorised repairer or similarly qualified person in order to avoid a hazard.
- When not in use, store in a safe, dry and childproof location.

## 9.1 Troubleshooting

| Problem   | Possible Cause                                   | Remedy   |
|---|--|--|
| Vacuum not operating.                                   | No power supply.                                 | Check unit plugged in and power supply is working correctly.                                 |
|   | Faulty power cord.                               | Unplug and examine power cord. If damaged, contact the Draper Tools helpline for assistance. |
|   | Switch not in the on 'I' position.               | Move switch to 'I' position.   |
|   | Collection tank full.                            | Empty tank.  |
| Dust coming from motor housing.                         | Cloth filter is missing or damaged.              | Fit or replace cloth filter.   |
| Reduced efficiency and motor noisy or vibrations noted. | Liquid at maximum level in tank.                 | Empty tank.<br>Clean or replace foam filter.   |
|   | Blockage in tool, hose or tank collection inlet. | Unplug vacuum and check for blockage and clear.  |
|   | Cloth filter blocked by fine dust.               | Clean or replace filter.   |

## 10. Spares, Returns and Disposal

For spare parts, servicing, and repair and replacement options, please contact the Draper Tools Product Helpline for details of your nearest authorised agent.

Draper Tools will endeavour to hold any spare parts, if applicable, for seven years from the date that it sells the final matching stock item.

Any servicing or repairs carried out by unauthorised personnel or installation of spare parts not supplied by Draper Tools will invalidate your warranty.

At the end of its working life, dispose of the product responsibly and in line with local regulations. Recycle where possible.

- **DO NOT** dispose of this product with domestic waste; most local authorities provide appropriate recycling facilities.



# 11. Warranty

12 months from date of purchase – Visit [drapertools.com/warranty](http://drapertools.com/warranty) for more information. However, if the tools are hired out, the warranty period is 90 days from the date of purchase.

# 12. Explanation of Symbols



General Mandatory action required



Read the instruction manual



**Warning!**



Voltage



Rated input



Tank capacity



35mm Attachment size



Approved power cord length



Product weight



WEEE –  
Waste Electrical & Electronic Equipment  
Do not dispose of Waste Electrical & Electronic  
Equipment in with domestic rubbish



Class II construction  
(Double insulated)



European conformity



UK Conformity Assessed

## Contact Details

### Draper Tools Limited

Hursley Road  
Chandler's Ford  
Eastleigh  
Hampshire  
SO53 1YF  
UK

### Draper Tools Europe B.V.

Oude Graaf 8  
6002 NL  
Weert  
Netherlands

**Website:** [drapertools.com](http://drapertools.com)

**Email:** [sales@drapertools.com](mailto:sales@drapertools.com)

**Product Helpline:** +44 (0) 23 8049 4344

**Telephone Sales Desk:** +44 (0) 23 8049 4333

**General Enquiries:** +44 (0) 23 8026 6355

Please contact the Draper Tools Product Helpline  
for repair and servicing enquiries.