

DRAPER

EN

Original Instructions
Version 4 - April 2026

DOUBLE CYLINDER
FOOT PUMP
WITH
**PRESSURE
GAUGE**

25996



1. Intended Use

EN

This foot pump is designed for inflating vehicle and motorcycle tyres, bicycle tyres with Schrader and Woods type valves as well as sports balls and other inflatables.

Any other application beyond the conditions established for use will be considered misuse. Draper Tools accepts no responsibility for improper use of this product.

2. Specification

EN

Stock No.	25996
Part No.	4435
Operating pressure	0 – 100psi (0 – 7bar)
Gauge accuracy	+/- 3%
Hose length (approx.)	600mm

3. Health and Safety Information

EN

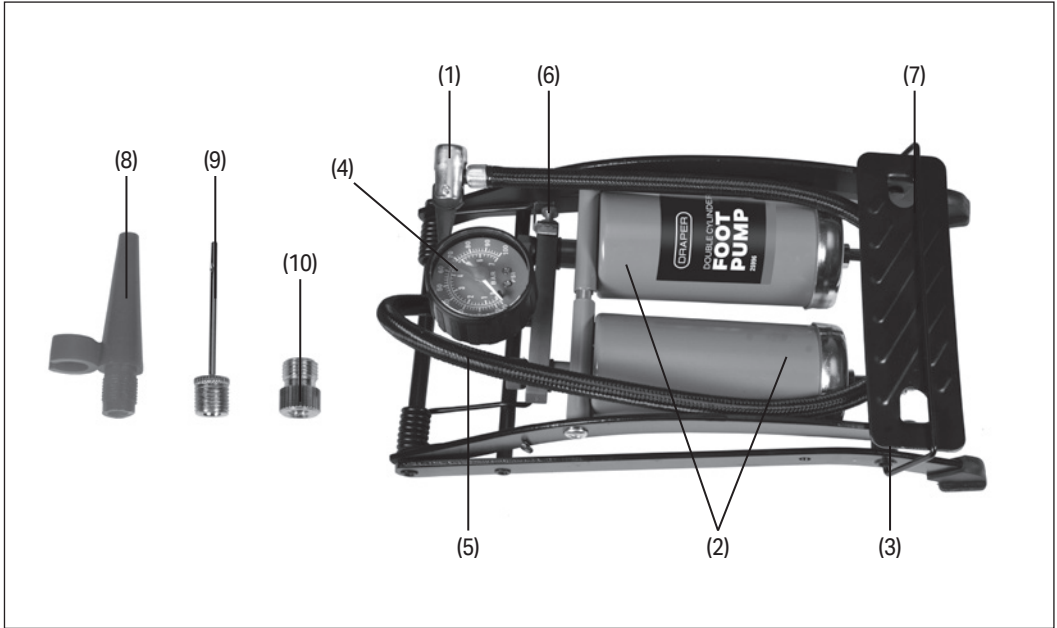
Important: Read all the Health and Safety instructions before attempting to operate this product. Failure to follow these instructions may result in injury or damage to the user or the product.

- **The gauge on this foot pump is intended as a guide only.** After use, **ALWAYS** double check the tyre pressure against a tyre pressure gauge that complies with BS EN 12645.
- **NEVER** exceed the maximum pressure recommended by the manufacturer of the item to be inflated.
- **DO NOT** exceed the maximum pressure of the pump.
- Use foot pump on a flat surface to prevent excessive twisting of frame.
- Ensure that the air hose is neither stretched or kinked during pumping.
- **DO NOT** overextend the hose.
- **ALWAYS** ensure that the valve and adaptor connections are tight and secure.
- **DO NOT** place hands, feet or other objects beneath the footplate during use.
- Store carefully, particularly if stored in the car.
- Every 3 months lubricate pivot points with light oil and apply a few drops through the holes in the bottom of each cylinder. Several pumping strokes will be required to distribute the oil.

4. Warranty

EN

12months from date of purchase –
visit drapertools.com/warranty for more information.



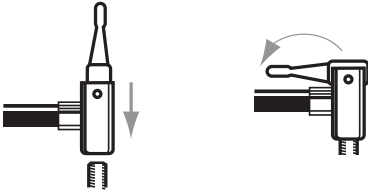
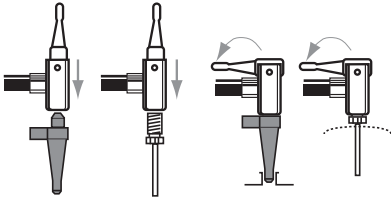
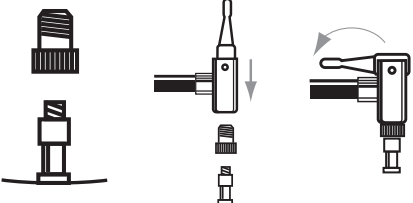
- | | |
|--------------------|---------------------------|
| (1) Connector | (6) Mode adjustment screw |
| (2) Cylinders | (7) Plate clip |
| (3) Footplate | (8) Plastic valve |
| (4) Pressure gauge | (9) Needle valve |
| (5) Hose | (10) Woods valve adaptor |

6. Basic Operation

1. Use the mode adjustment screw (6) to alter the force applied by the second cylinder:
 - **Screw fully tightened:** single pump mode; best for high pressure items.
 - **Screw partially tightened:** some additional force applied to second cylinder.
 - **Screw fully loosened:** dual pump mode; best for low pressure items.
2. Attach the required connector/ adaptor to the item's valve – see 6.1 Valve connections.
3. If required the gauge cover can be rotated to mark the target pressure.
4. Unhook the plate clip (7) and pump the footplate (3) to inflate the item.
 - For efficient pumping action, place foot centrally on the foot plate and use full strokes on the pump.
5. Once the item is inflated, lift the thumb lock, then remove the connector from the valve and replace the valve cap.

NOTE: Additional force will be required when pumping the footplate, when the force applied by the second cylinder is increased.

6.1 Valve Connections

<p>Schrader type valves for cars, motorcycles & bicycles</p>	<p>Remove the tyre valve cap. Push hose connector firmly onto the valve. Push the thumb lock down to secure the connection.</p>	
<p>Inflatables or sports balls</p>	<p>Insert the plastic adaptor or needle valve into the hose connector. Push the thumb lock down to secure the connection. Insert the adaptor into the item's valve opening.</p>	
<p>Bicycles with Woods valves</p>	<p>Remove the tyre valve cap. Screw the Woods valve adaptor firmly onto the valve. Push hose connector firmly onto the valve. Push the thumb lock down to secure the connection.</p>	

Contact Details

Draper Tools

Draper Tools Limited
Hursley Road
Chandler's Ford
Eastleigh
Hampshire
SO53 1YF
UK

Website: drapertools.com

Email: sales@drapertools.com

Product Helpline: +44 (0) 23 8049 4344

Telephone Sales Desk: +44 (0) 23 8049 4333

General Enquiries: +44 (0) 23 8026 6355

Draper Tools Europe B.V.

Oude Graaf 8
6002 NL
Weert
Netherlands

Please contact the Draper Tools Product Helpline for repair and servicing enquiries.