

DRAPER

EN

Original Instructions
Version 3 - April 2026

TORQUE WRENCH

34570



THIS IS A PRECISION TOOL WHICH SHOULD ONLY
BE USED AS A TORQUE WRENCH. NEVER USE AS A
SUPPORT FOR A FRAME BAR OR FOR
LOADING STRONG FACTORS
IMPORTANT

1. Product Introduction

User Manual for: Torque Wrench

Stock No: 34570

Part No: 3004A

1.1 Revisions

Version 1: July 2019

First release

Version 2: June 2024

Version 3: April 2026

2. Intended Use

This tool has been designed to tighten screws, bolts and other fixings to the required torque.

Any other application beyond the conditions established for use will be considered misuse. Draper Tools accepts no responsibility for improper use of this product.

Read this manual in full before using this product and retain it for future use. Always use the latest version of the manual. Please visit drapertools.com/manuals for the latest version.

3. Specification

Stock No.	34570
Part No.	3004A
Square drive size	3/8"
Torque range	10 – 80Nm 88.5 – 708in/lb
Accuracy	+/-4%
Overall length (approx.)	280mm

This torque wrench is accurate to +/- 4% of the set load and has been manufactured and tested in accordance to ISO 6789-2003.

Note: The torque wrench is calibrated in Nm. The ft/lb scale is the conversion of Nm scale, so the in/lb scale is only for reference.

Important: Read all the Health and Safety instructions before attempting to operate, maintain or repair this product. Failure to follow these instructions may result in injury or damage to the product, the workpiece or cause it to require recalibration.

- **Important: ALWAYS** read the manufacturer's instructions for the recommended torque settings. Incorrect torque settings can result in serious damage or injury when the workpiece is used.
- This torque wrench is a precision tool. It must **NOT** be used to pry or loosen nuts, bolts or fixings; to separate materials; as a substitute for ratchet spanners or hammers; or as a breaker bar. Used in such a way will damage the calibration setting and invalidate your warranty.
- **DO NOT** interfere with or loosen the locking screw as this will affect the calibration. If it becomes loose **DO NOT** use the torque wrench.
- **DO NOT** use to torque left-handed threads.
- Before first use, test the torque wrench on non-critical fixings to familiarise yourself with the responses that indicate the configured torque is reached.
- **Important:** Some responses may be less noticeable at lower torques.
- **ALWAYS** select the correct size and type of socket for use with the fixing.
- **NEVER** set the torque wrench beyond its maximum or minimum settings as this may damage the internal spring and distort the calibration.
- **ALWAYS** return the torque wrench to its minimum setting when not in use - failure to do this will weaken the internal spring and distort the calibration of the tool. Damage caused to the tool in this way is not covered by your warranty.
- **DO NOT** over-tighten fixings as this may result in breakages.
- Stop applying force as soon as a noticeable 'Click' is heard.
- **DO NOT** turn the adjustment lever (2) anticlockwise while setting the torque as this may result in damage.
- Observe all standard safety precautions and good practices when in a workshop environment.

- Inspect the product before every use for cracked, corroded or broken parts.



WARNING! DO NOT use this product if it is damaged in any way. Contact Draper Tools for repair and replacement options.

- Use this product only for its intended purpose and **DO NOT** modify it in any way.

5. Identification



- | | |
|--------------------------|-----------------------------------|
| (1) Drive square | (4) Torque secondary scale collar |
| (2) Adjustment lever | (5) Handle |
| (3) Torque primary scale | (6) Locking screw |

Please visit drapertools.com for our full range of accessories and consumables.

6.1 Setting the Torque

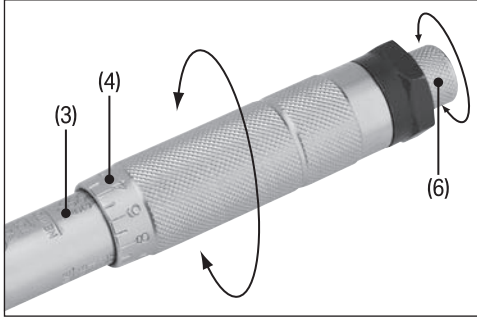


Fig. 1

1. To unlock the handle (5), turn the locking screw (6) in an anticlockwise direction.
 2. Set the required torque by turning the handle until the selected torque on the primary scale (3) aligned with the '0' on the secondary scale collar (4). Then continue to turn the handle making minor adjustments on the secondary scale .
 3. Lock the handle by turning the locking screw clockwise.
- When the torque wrench is not in use, ensure the adjustment is at the lowest torque setting.

Setting Examples

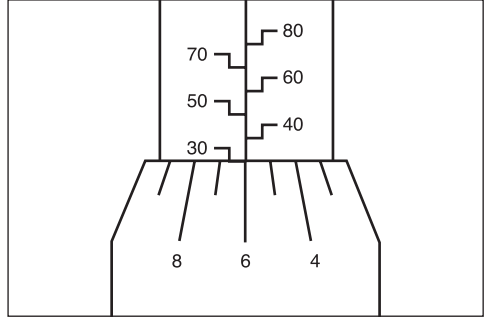


Fig. 2 Torque Wrench set to 36Nm

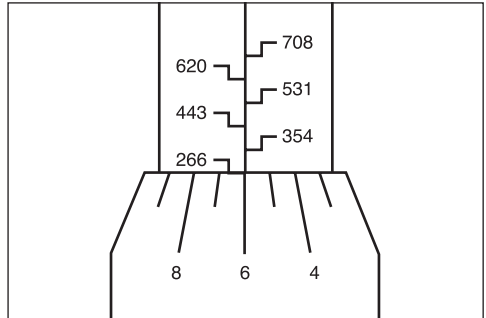


Fig. 3 Torque Wrench set to 318.8in-lb

6. Operating Instructions

6.2 Using the Torque Wrench

Important:

- **ALWAYS** use the correct size socket.
- Apply a steady slow force on the grip handle.
- When the required torque is reached, this will be indicated by the following:
 - **Audible click:** The click will be quieter at lower torque settings.
 - **Touch:** The handle will be felt to “break away” at the point of the set torque.
 - **Visually:** The handle will be seen to “break away” at the point of the set torque.

Note: Responses may be less perceptible at lower torques.



WARNING! Once the set torque is reached, **DO NOT** continue to turn the torque wrench as this will deliver an incorrect torque and may damage the parts.

1. Select the required socket or bit and adaptors as appropriate and fit onto the square drive.
2. Set the adjustment direction by moving the lever (2) on the back of the wrench head in the required direction.
3. Set the wrench torque; see **section 6.1**.
4. Place the bit or socket onto the fixing and apply a slow steady force in the desired direction.
5. When the set torque has been reached, the tool will exhibit an audible, tangible and visual response.
6. Carefully remove the wrench from the fixing.

6.3 Conversion Chart

	mN/m millinewton- metre	cN/m centinewton- metre	N/m newton- metre	daN/m decanewton- metre	cm/kg centimetre- kg	m/kg metre- kg	in-oz inch- ounce	in-lb inch- pound	ft-lb foot- pound
1mN/m	1	0.1	0.001	0.0001	0.0102	0.000102	0.1416	0.00885	0.000738
1cN/m	10	1	0.01	0.001	0.102	0.00102	1.416	0.0885	0.00738
1N/m	1000	100	1	0.1	10.2	0.102	141.6	8.85	0.738
1daN/m	10000	1000	10	1	102	1.02	1416	88.5	7.38
1cm/kg	98	9.8	0.098	0.0098	1	0.01	13.9	0.868	0.0723
1m/kg	9810	981	9.81	0.98	100	1	1390	86.8	7.23
lin-oz	7.06	0.706	0.00706	0.0007	0.072	0.00072	1	16	192
lin/lb	112.9	11.29	0.1129	0.01129	1.152	0.0115	0.063	1	12
lft-lb	1355	35	1.355	0.1135	13.8	0.138	0.0052	0.083	1

7.1 General Maintenance and Storage

Important: A torque wrench is a precision tool. Failure to calibrate your tool regularly or to store correctly will constitute misuse and invalidate your warranty.

- The torque wrench is lubricated for life and should not be oiled. The only exception is the head which may be lubricated as needed for smooth operation.
- Keep the product free from grease, chemicals and other substances to prevent damage from corrosion.
- Wipe the wrench with a dry cloth **only**.
- **DO NOT** use solvents or chemicals that may interfere with the internal lubrication.
- Store this product in the storage case supplied, in a clean and dry location, out of direct sunlight and out of reach of children.
- **ALWAYS** return the torque wrench to its lowest setting before storage. Failure to do this will weaken the internal springs and distort the calibration of the tool.
 - Frequently used tools should be calibrated more often.
- **NEVER** attempt to repair or adjust this product. Servicing, repairs and calibration must be carried out **ONLY** by qualified and authorised service agents.

If the torque wrench fails to function correctly for any of the following reasons, return the tool to an authorised Draper Tools agent:

- The ratchet fails to function.
 - The handle lock fails to function.
 - The wrench does not “click” at the set torque.
 - The handle does not break away at the set torque.
- At the end of its working life, dispose of the product responsibly and in line with local regulations; recycle where possible.

8. Warranty

Should the tool develop a fault, return the complete tool to your nearest distributor or contact Draper Tools directly. Proof of purchase must be provided.

If, upon inspection, it is found that the fault occurring is due to defective materials or workmanship, repairs will be carried out free of charge. This warranty covers parts and labour for the lifetime of the product. However, if the tools are hired out, the warranty period is 90 days from the date of purchase.

7.2 Calibration

- Have the torque wrench calibrated at least once a year or after approximately 5000 cycles by a certified calibration centre. **For the first recalibration, the period of validity starts with user’s first operation of the torque tool.**
- Torque tools are classified as test devices. If a calibration routine is required, the calibration interval shall be chosen on the basis of the factors of operation such as required accuracy, frequency of use, typical load during operation as well as ambient conditions during operation and storage conditions.
- The interval should be decided according to the user’s procedures for the control of test devices and by the requirements of the user.
- The torque tool shall be recalibrated when it has been subjected to an overload greater than 125% of maximum rated load and after repair, or after any improper handling which might influence any errors in measurement.

NOTE: the recalibration routine for the torque wrench is NOT covered by the product warranty.

This warranty does not apply to any consumable parts, batteries or normal wear and tear, nor does it cover any damage caused by misuse, careless or unsafe handling, alterations, accidents, or repairs attempted or made by any personnel other than the authorised Draper Tools repair agent.

Visit drapertools.com/warranty for full details.

Contact Details

Draper Tools Limited

Hursley Road
Chandler's Ford
Eastleigh
Hampshire
SO53 1YF
UK

Website: drapertools.com

Email: sales@drapertools.com

Product Helpline: +44 (0) 23 8049 4344

Telephone Sales Desk: +44 (0) 23 8049 4333

General Enquiries: +44 (0) 23 8026 6355

Draper Tools Europe B.V.

Oude Graaf 8
6002 NL
Weert
Netherlands

Please contact the Draper Tools Product Helpline for repair and servicing enquiries.