



# HYDRAULIC SPRING COMPRESSOR

56191

**IMPORTANT:** PLEASE READ THESE INSTRUCTIONS CAREFULLY TO ENSURE THE SAFE AND EFFECTIVE USE OF THIS PRODUCT.



## INSTRUCTIONS

These instructions accompanying the product are the original instructions. This document is part of the product, keep it for the life of the product passing it on to any subsequent holder of the product. Read all these instructions before assembling, operating or maintaining this product.

This manual has been compiled by Draper Tools describing the purpose for which the product has been designed, and contains all the necessary information to ensure its correct and safe use. By following all the general safety instructions contained in this manual, it will ensure both product and operator safety, together with longer life of the product itself.

All photographs and drawings in this manual are supplied by Draper Tools to help illustrate the operation of the product.

Whilst every effort has been made to ensure the accuracy of information contained in this manual, the Draper Tools policy of continuous improvement determines the right to make modifications without prior warning.

# 1. TITLE PAGE

---

## 1.1 INTRODUCTION:

**USER MANUAL FOR: Hydraulic Spring Compressor**

**Stock No: 56191**

**Part No: SC100**

## 1.2 REVISIONS:

**Date first published February 2017**

---

---

---

---

As our user manuals are continually updated, users should make sure that they use the very latest version.

**Downloads are available from:** <http://www.drapertools.com/manuals>

Draper Tools Limited  
Hursley Road  
Chandler's Ford  
Eastleigh  
Hampshire  
SO53 1YF  
UK

**Website:** drapertools.com

**Product Helpline:** +44 (0) 23 8049 4344

**General Fax:** +44 (0) 23 8026 0784

## 1.3 UNDERSTANDING THIS MANUALS SAFETY CONTENT:

**WARNING!** – Information that draws attention to the risk of injury or death.

**CAUTION!** – Information that draws attention to the risk of damage to the product or surroundings.

## 1.4 COPYRIGHT © NOTICE:

Copyright © Draper Tools Limited.

Permission is granted to reproduce this publication for personal & educational use only. Commercial copying, redistribution, hiring or lending is prohibited.

No part of this publication may be stored in a retrieval system or transmitted in any other form or means without written permission from Draper Tools Limited.

In all cases this copyright notice must remain intact.

---

## 2. CONTENTS

---

|  |                 |
|--|-----------------|
| <b>1. TITLE PAGE</b>   |                 |
| 1.1 INTRODUCTION .....   | 2               |
| 1.2 REVISION HISTORY.....  | 2               |
| 1.3 UNDERSTANDING THIS MANUAL .....                                      | 2               |
| 1.4 COPYRIGHT NOTICE.....  | 2               |
| <b>2. CONTENTS</b>   |                 |
| 2.1 CONTENTS.....  | 3               |
| <b>3. GUARANTEE</b>  |                 |
| 3.1 GUARANTEE .....  | 4               |
| <b>4. INTRODUCTION</b>   |                 |
| 4.1 SCOPE .....  | 5               |
| 4.2 SPECIFICATION .....  | 5               |
| 4.3 HANDLING & STORAGE .....   | 5               |
| <b>5. HEALTH &amp; SAFETY INFORMATION</b>                                |                 |
| 5.1 GENERAL SAFETY INSTRUCTIONS FOR HYDRAULIC SPRING<br>COMPRESSOR ..... | 6               |
| 5.2 SPECIFIC SAFETY INSTRUCTION FOR HYDRAULIC SPRING<br>COMPRESSOR ..... | 7               |
| <b>6. TECHNICAL DESCRIPTION</b>  |                 |
| 6.1 IDENTIFICATION .....   | 8               |
| <b>7. UNPACKING &amp; CHECKING</b>                                       |                 |
| 7.1 PACKAGING.....   | 9               |
| 7.2 WHAT'S IN THE BOX.....   | 9               |
| <b>8. HYDRAULIC SPRING COMPRESSOR OPERATIONS</b>                         |                 |
| 8.1 OPERATION.....   | 10-11           |
| <b>9. CARE &amp; MAINTENANCE</b>   |                 |
| 9.1 CARE & MAINTENANCE.....  | 12              |
| <b>10. DISPOSAL</b>  |                 |
| 10.1 DISPOSAL .....  | 12              |
| <b>11. EXPLANATION OF SYMBOLS</b>  |                 |
| 11.1 EXPLANATION OF SYMBOLS .....  | 13              |
| <b>DECLARATION OF CONFORMITY .....</b>                                   | <b>ENCLOSED</b> |

## 3. GUARANTEE

---

### 3.1 GUARANTEE

Draper tools have been carefully tested and inspected before shipment and are guaranteed to be free from defective materials and workmanship.

Should the tool develop a fault, please return the complete tool to your nearest distributor or contact:

**Draper Tools Limited, Chandler's Ford, Eastleigh, Hampshire, SO53 1YF. England.**

**Telephone Sales Desk: (023) 8049 4333** or:

**Product Helpline (023) 8049 4344.**

A proof of purchase must be provided with the tool.

If upon inspection it is found that the fault occurring is due to defective materials or workmanship, repairs will be carried out free of charge. This guarantee period covering parts/labour is 12 months from the date of purchase except where tools are hired out when the guarantee period is 90 days from the date of purchase. This guarantee does not apply to normal wear and tear, nor does it cover any damage caused by misuse, careless or unsafe handling, alterations, accidents, or repairs attempted or made by any personnel other than the authorised Draper warranty repair agent.

Note: If the tool is found not to be within the terms of warranty, repairs and carriage charges will be quoted and made accordingly.

This guarantee applies in lieu of any other guarantee expressed or implied and variations of its terms are not authorised.

Your Draper guarantee is not effective unless you can produce upon request a dated receipt or invoice to verify your proof of purchase within the guarantee period.

Please note that this guarantee is an additional benefit and does not affect your statutory rights.

**Draper Tools Limited.**



## 4. INTRODUCTION

---

### 4.1 SCOPE

This Hydraulic Spring Compressor is for the disassembly and maintenance of all kinds of shock absorbers. Any other application is considered misuse.

### 4.2 SPECIFICATION

|                          |                |
|--------------------------|----------------|
| Stock no. ....           | 56191          |
| Part no. ....            | SC100          |
| Dimensions .....         | 520x690x1320mm |
| Hydraulic Cylinder ..... | 5000kgs        |
| Upper base travel .....  | 266mm          |
| Lower base travel .....  | 240mm          |
| Weight .....             | 115kg          |

### 4.3 HANDLING & STORAGE

Care and attention must be observed during and after use to make sure the service life is maintained.

This Hydraulic Spring Compressor needs no assembly prior to operation. To ensure safety, the components used are necessarily manufactured from heavy materials. Never attempt to move the product on your own and ensure you comply with all requirements of Health and Safety at work regulations 1999 and Manual Handling operations regulations 1992.

## 5. HEALTH & SAFETY INFORMATION

---

### 5.1 GENERAL SAFETY INSTRUCTIONS FOR HYDRAULIC SPRING COMPRESSOR USE

**Warning:** Read all instructions carefully, failure to do so could lead to serious injury.

**Important.** Draper Tools Limited recommends that this hydraulic spring compressor should not be modified or used for any application other than that for which it was designed. If you are unsure of its relative applications do not hesitate to contact us in writing and we will advise you.

#### 1) Know your hydraulic spring compressor.

Read and understand the owner's manual and labels affixed to the tool. Learn its application and limitations as well as the specific potential hazards peculiar to this tools.

#### 2) Keep work area clean.

Cluttered areas and benches invite accidents. Ensure that work area is clear of any hazards at all times. Keep a safe working area, ensuring children and all visitors should be kept a safe distance from work area.

#### 3) Wear proper clothing.

Do not wear loose clothing, neckties or jewellery (rings, wristwatches) to catch in parts. NONSLIP footwear is recommended. Roll long sleeves above the elbow.

#### 4) Use safety goggles (head protection).

Wear CE approved safety goggles at all times. Normal spectacles only have impact resistant lenses, they are NOT safety glasses.

#### 5) Stay alert.

Always watch what you are doing and use common sense. Do not operate the hydraulic spring compressor when you are tired or under the influence of alcohol or drugs.

#### 6) Never stand on tool.

Do not store materials above or near the compressor, so that it is necessary to stand on the tool to reach them.

#### 7) Check damaged parts.

Check for damage to parts, breakage of parts, mountings and any other conditions that may affect its operation. A part that is damaged should be properly repaired or replaced.

#### 8) Maintain tools with care.

Keep tools clean for the best and safest performance. Follow instructions for lubricating and changing accessories. Always keep the hand grips on the tool clean, dry and free of oil and grease.

#### 9) Use recommended accessories.

Only use the accessories provided with this tool.

#### 10) Do not overreach

Keep proper footing and balance at all times.

#### 11) Use right tool.

Do not force the compressor to do a job for which it was not designed.

## 5. HEALTH & SAFETY INFORMATION

---

### 5.2 SPECIFIC SAFETY INSTRUCTIONS FOR HYDRAULIC SPRING COMPRESSOR USE

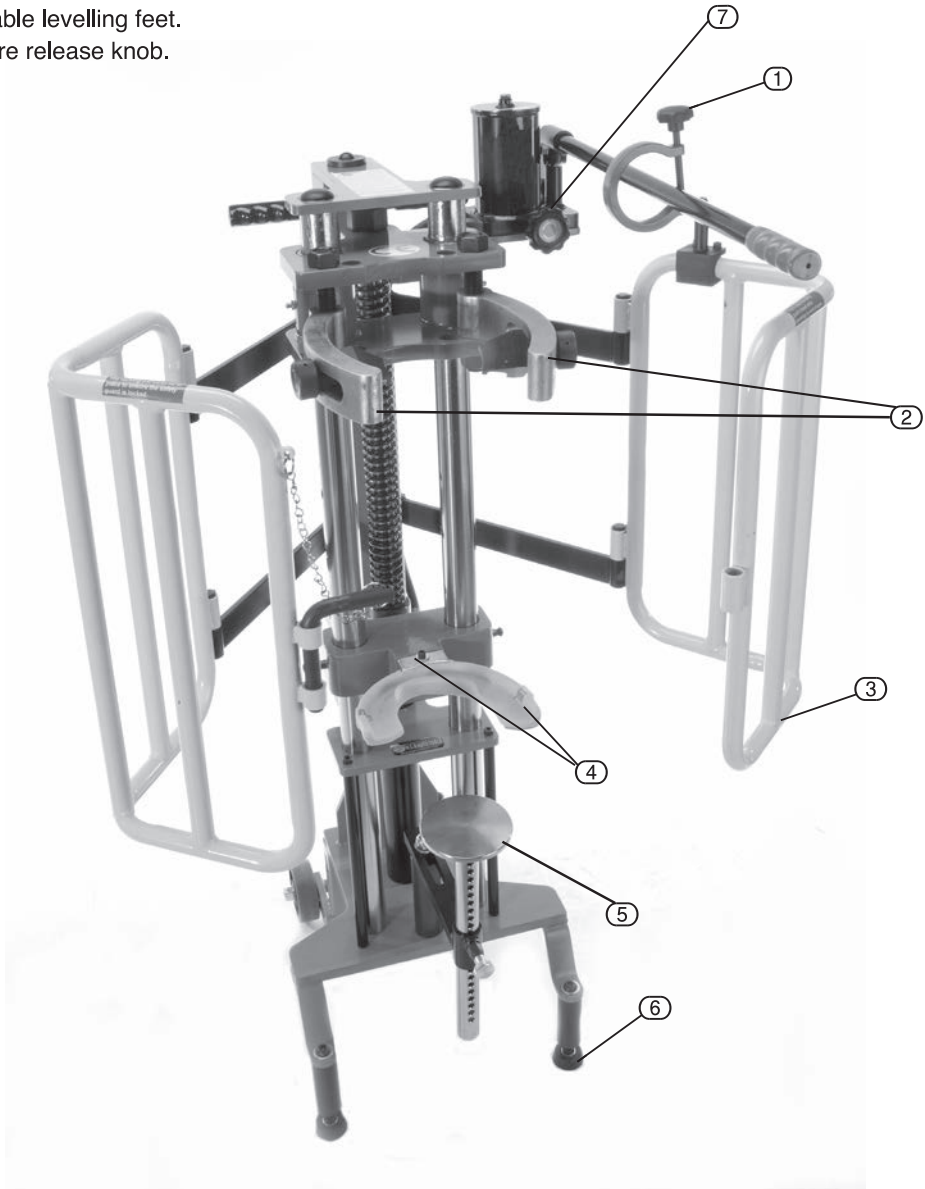
- 1) Operate the compressor in a safe and clean environment.
- 2) Always wear correct safety goggles when operating this tool.
- 3) During operation, DO NOT touch the shock absorber, the upper and lower fixing jaw or lower supporting base of this tool. NEVER put your hands inside the safety cage when the spring is being compressed. Immense force is concentrated in a compressed spring which is dangerous to the user all the time the spring is being compressed.
- 4) Only qualified mechanics should operate this product after they have read and understood these instructions in full.
- 5) Always ensure the SAFETY GATE is CLOSED and LOCKED with the pin before operating.
- 6) Never compress the spring so much so the coils touch.
- 7) Always check the tool for signs of damage. If any part of the tool is damaged, DO NOT USE and seek a qualified repair technician.
- 8) Do not leave a compressed spring unattended. Do not compress the spring for a long period.
- 9) Before initial operation and throughout regular intervals of the tools life, lubricate the upper fixing base to avoid over-wearing of the copper sleeves.

## 6. TECHNICAL DESCRIPTION

---

### 6.1 IDENTIFICATION

- ① Safety lock.
- ② Adjustable upper fixing jaw.
- ③ Safety gate.
- ④ Lower fixing bracket (showing yoke attached).
- ⑤ Adjustable lower support base.
- ⑥ Adjustable levelling feet.
- ⑦ Pressure release knob.



## 7. UNPACKING & CHECKING

### 7.1 UNPACKING

Carefully remove the tool from the packaging and examine it for any sign of damage that may have happened during shipping. Lay the contents out and check them against the parts shown below. If any part is damaged or missing; please contact the Draper Helpline (the telephone number appears on the Title page) and do not attempt to use the machine.

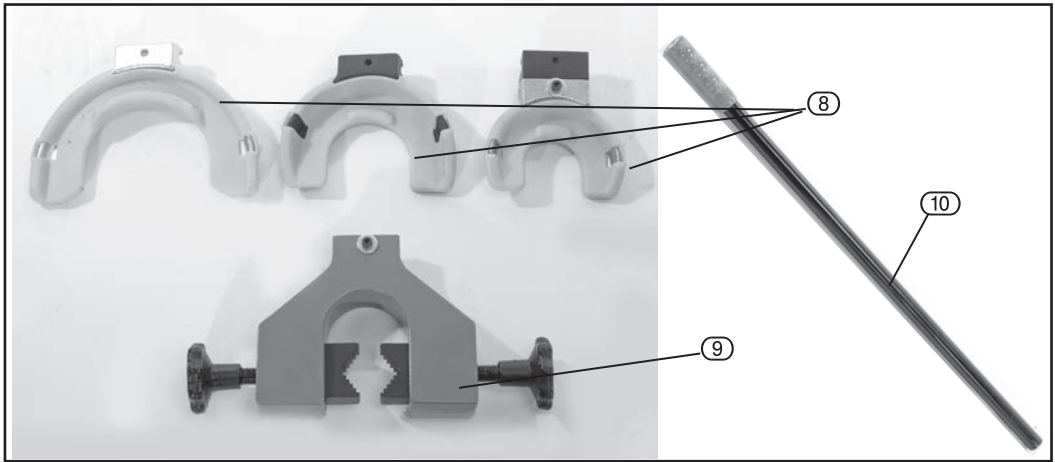
The packaging material should be retained at least during the guarantee period: in case the machine needs to be returned for repair.

**Warning!** Some of the packaging materials used may be harmful to children. Do not leave any of these materials in the reach of children.

If any of the packaging is to be thrown away, make sure they are disposed of correctly; according to local regulations.

### 7.2 WHAT'S IN THE BOX?

As well as the hydraulic spring compressor; there are several parts not fitted or attached to it.



- ⑧ 3x Yoke's  
75-110mm  
110-140mm  
140-190mm
- ⑨ Fixing Jaw  
30-70mm
- ⑩ Hydraulic pump handle.

## 8. HYDRAULIC SPRING COMPRESSOR OPERATION



### 8.1 Operation

#### Important

- Always ensure the safety guard is closed before operating this product. Stand in front of the tool when using, keeping hands away from the fixing base and shock absorber. Always lock the pump handle when not in use.
- Always keep the upper fixing base lubricated to prevent over-wearing of the copper sleeves.

Fig. 1.



Fig. 1

- Ensure the tool is stable and on a flat, level surface able to support the weight of the unit (concrete).
- Adjust the height of the lower fixing base according to the type/size of the shock absorber.
- Select the lower fixing jaw or lower fixing bracket according to the type/size of the shock absorber.

NOTE - If using the lower fixing jaw, refer to the vehicle manufacturer for correct locking position.

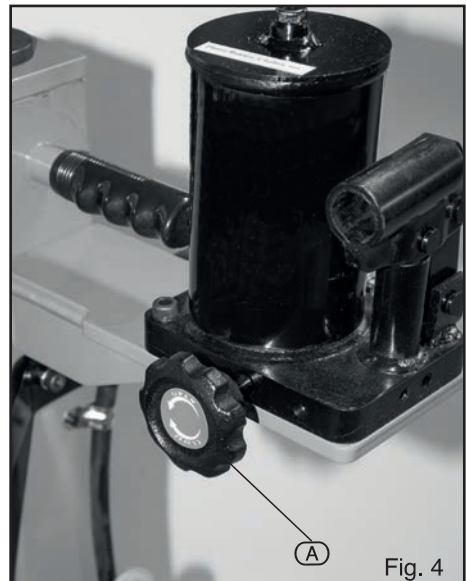
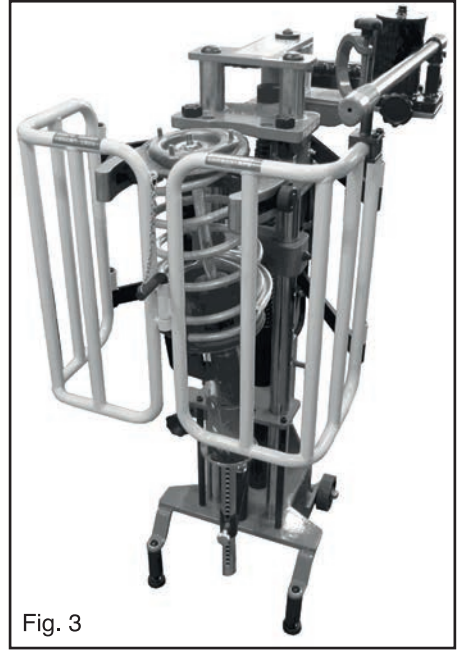
Fig. 2.



Fig. 2

## 8. HYDRAULIC SPRING COMPRESSOR OPERATION

- If using a fixing yoke put the lower section of the shock absorber spring on the fixing yoke and rotate the shock absorber so that the spring can be held as low as possible. Ensure all of the bolts of the fixing yoke have been tightened.
- Push the adjustable lower supporting base up to the bottom of the shock absorber to support the base of the shock absorber.
- Adjust the upper fixing jaw according to the size of the shock absorber and spring. Ensure all bolts are tight.
- Close and lock the safety gate.
- Before compressing, check that the shock absorber and spring are secure. Then use the handpump to compress the spring.
- To release the compressed spring, gradually release the pressure by turning the pressure knob (A) anti-clock-wise. Fig. 4.



## 9. CARE & MAINTENANCE

---

### 9.1 CARE & MAINTENANCE

When your hydraulic spring compressor is not in use, always keep in a safe dry, childproof location.

Regularly inspect the product for any wear before use especially after a period of non-use. The compressor requires lubrication regularly to work efficiently and safely.

### 10.1 DISPOSAL

- At the end of the machine's working life, or when it can no longer be repaired, ensure that it is disposed of according to national regulations.
- Contact your local authority for details of collection schemes in your area.

In all circumstances:

- Do not dispose with domestic waste.
- Do not incinerate.
- Do not abandon in the environment.



# 11. EXPLANATION OF SYMBOLS

---

## 12.1 EXPLANATION OF SYMBOLS



**Warning!**  
Wear suitable gloves.



**Warning!**  
Wear suitable footwear.



**Warning!**  
Wear suitable clothing.



**Warning!**  
Wear suitable eye/face protection.



**Warning!**  
Read the instruction manual.



**Warning!**  
Keep out of the reach of children.



**Warning!**  
Keep bystanders away.



# NOTES

---

## CONTACTS

- **DRAPER TOOLS LIMITED,**  
Hursley Road, Chandler's Ford,  
Eastleigh, Hampshire. SO53 1YF. U.K.
- **Helpline:** (023) 8049 4344
- **Sales Desk:** (023) 8049 4333
- **Internet:** [www.drapertools.com](http://www.drapertools.com)
- **E-mail:** [sales@drapertools.com](mailto:sales@drapertools.com)
- **Sales Fax:** (023) 8049 4209
- **General Enquiries:** (023) 8026 6355
- **Service/Warranty Repair Agent**  
For aftersales servicing or warranty repairs, please contact the Draper Tools Helpline for details of an agent in your local area.

YOUR DRAPER STOCKIST

RDAN0217

©Published by Draper Tools Limited.

No part of this publication may be reproduced, stored in a retrieval system or transmitted in any form or by any means, electronic, mechanical photocopying, recording or otherwise without prior permission in writing from Draper Tools Ltd.