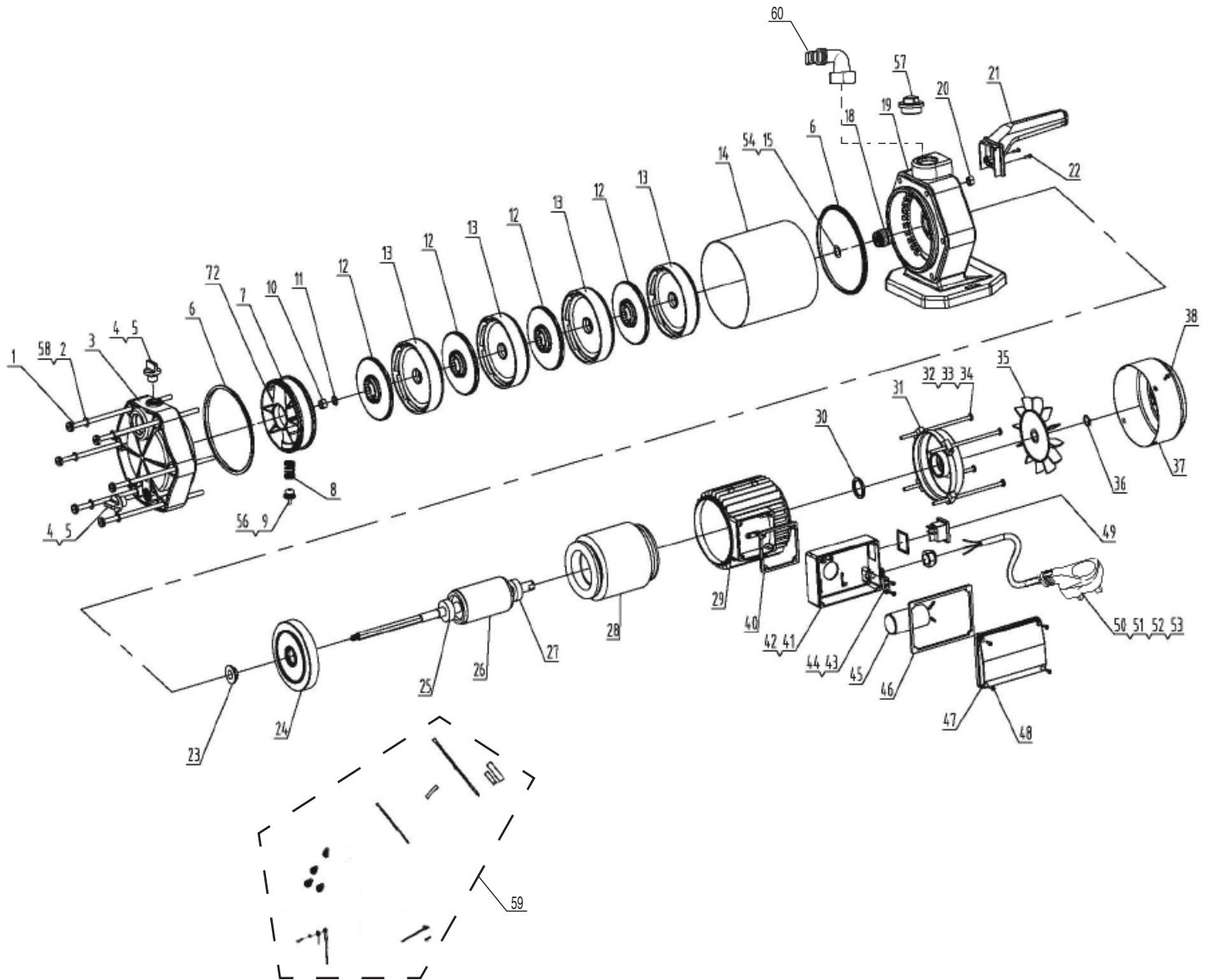


SURFACE MOUNTED WATER PUMP

98922 - SP90MS SPARE PARTS DRAWING





230V MULTI STAGE



SURFACE MOUNTED WATER PUMP

98922 - SP90MS SPARE PARTS LISTING

KEY No.	PART No.	STOCK No.	DESCRIPTION
1	Y-SP90MS-01	90651	HEX SOCKET CAP SCREWS
2	Y-SP90MS-02	90652	FLAT GASKET
3	Y-SP90MS-03	90659	PUMP HEAD
4	Y-SP90MS-04	90660	VALVE COVER
6	Y-SP90MS-06	90662	O RING
7	Y-SP90MS-07	90664	GUIDE PLATE
8	Y-SP90MS-08	90666	16 SPRING
9	Y-SP90MS-09	90667	DIVERSION SPOOL
10	Y-SP53-11	90530	NUT
11	Y-SP53-12	90531	GASKET
12	Y-SP90MS-12	90668	IMPELLER
13	Y-SP90MS-13	90669	GUIDE PLATE ASSEMBLY
14	Y-SP90MS-14	90670	HEAD CAPSULE
15	Y-SP90MS-15	90671	ADJUSTING GASKET
18	Y-SP90MS-18	90672	MECHANICAL SEAL
19	Y-SP90MS-19	90675	FLANGE STENTS
20	Y-SP90MS-20	90676	NUT
21	Y-SP90MS-21	90677	HANDLE
23	Y-SP90MS-23	90678	THROWER
24	Y-SP90MS-24	90679	MOTOR FRONT COVER
25	Y-SP90MS-25	90680	BEARING
26	Y-SP90MS-26	90682	ROTOR
27	Y-SP90MS-27	90683	BEARING
28	Y-SP90MS-28	90684	STATOR
29	Y-SP90MS-29	90685	ALUMINIUM PUMP HOUSING
30	Y-SP90MS-30	90686	CORRUGATED GASKET
31	Y-SP90MS-31	90687	MOTOR REAR COVER
32	Y-SP90MS-32	90688	HEX SOCKET CAP SCREW
33	Y-SP53-48	90625	SPRING WASHER
34	Y-SP90MS-34	90691	FLAT GASKET
35	Y-SP90MS-35	90692	FAN
36	Y-SP90MS-36	90693	SHAFT RING
37	Y-SP90MS-37	90694	FAN COVER
38	Y-SP53-50	90628	SCREW
40	Y-SP90MS-40	90695	SEALING WASHER
41	Y-SP90MS-41	90696	SWITCH BOX COVER LOWER (SMALL)
42	Y-SP53-30	90598	CROSS PAN HEAD SCREW
43	Y-SP90MS-43	90698	CABLE STOP
45	Y-SP90MS-45	90700	20UF CAPACITOR
46	Y-SP90MS-46	90701	SEALING GASKET
47	Y-SP90MS-47	90702	SWITCH BOX COVER

KEY No.	PART No.	STOCK No.	DESCRIPTION
48	Y-SP53-36	90605	TAPPING SCREW
49	Y-SP90MS-49	90703	SWITCH WITH SEALING WASHER
54	Y-SP90MS-54	90705	ADJUSTING GASKET AND O RING
57	Y-SP90MS-57	90708	VALVE COVER INC O RING
58	Y-SP90MS-58	90709	SPRING WASHER
59	Y-SP90MS-59	90710	WIRING ASSEMBLY
72	Y-SP90MS-72	90711	O RING
22&44	Y-SP90MS-22	90712	TAPPING SCREW
5&56	Y-SP90MS-05	90713	O RING
60	Y-SP53-68	90640	OUTPUT CONNECTOR