

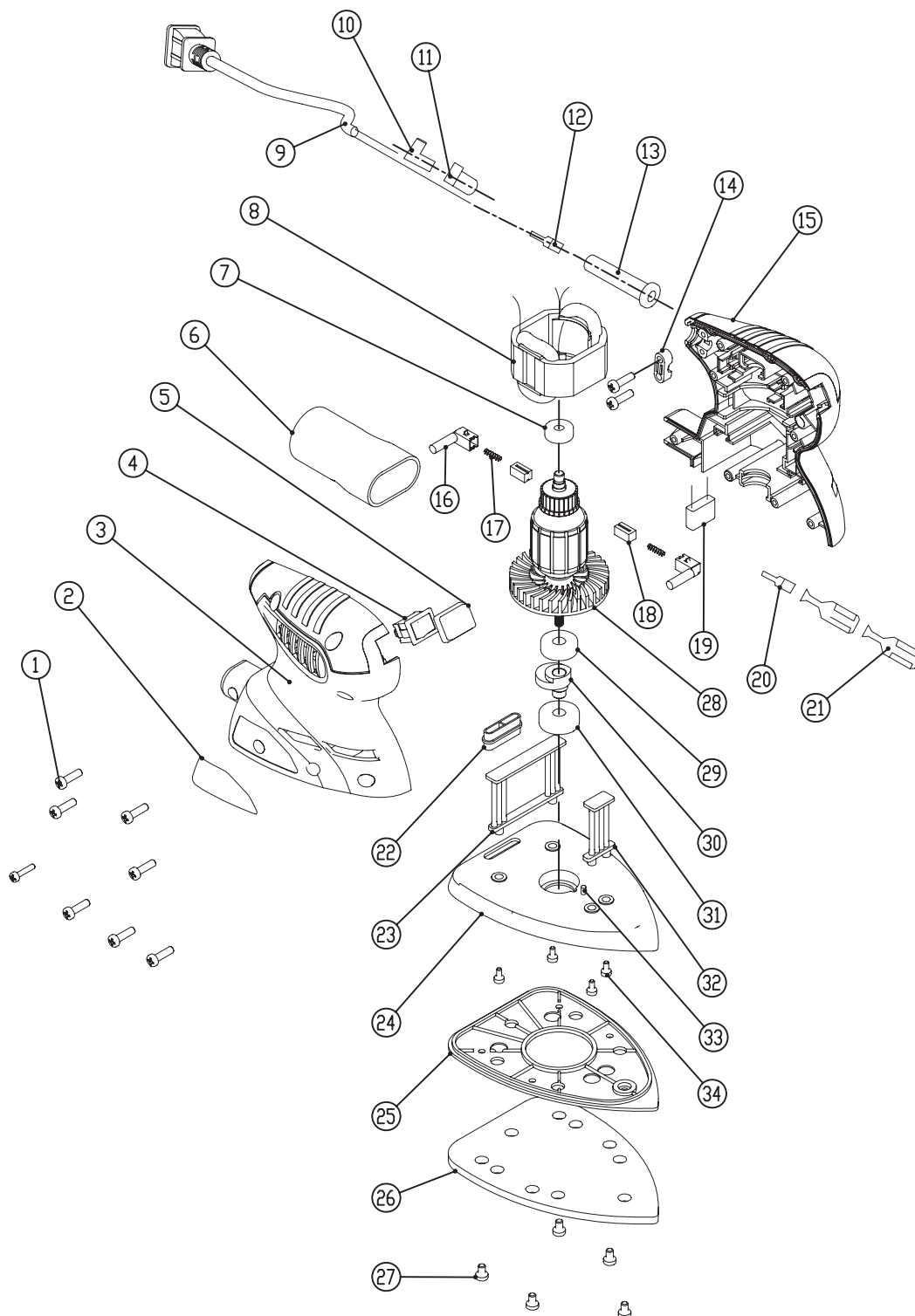
DRAPER[®]

230V
**TRI-BASE
SANDER**

GB

92627 – PT125SF SPARE PARTS DRAWING

**STORM
FORCE**





230V
**TRI-BASE
 SANDER**



92627 – PT125SF SPARE PARTS LISTING



KEY No.	PART No.	STOCK No.	DESCRIPTION
1			(NP)Screw
2			(NP)Label
3			(NP)Right housing
4			(NP)Switch
5			(NP)Switch cover
6			(NP)Dust port
7			(NP)Bearing
8			(NP)Stator
9			(NP)Power cord
10			(NP)4.8 insert spring cover
11			(NP)4.8 insert spring
12			(NP)4.8 insert board
13			(NP)Power cord guard
14			(NP)power cord pressure
15			(NP)Left housing
16			(NP)Brush supportor
17			(NP)Brush spring
18			(NP)Carbon brush
19			(NP)Capacitance
20			(NP)4.2 insert spring
21			(NP)4.8 insert spring
22			(NP)Inner dust pipe
23			(NP)Rear supportor
24			(NP)Upside base plate
25	Y-PT125SF-26A	03219	Base Plate assembly
26			
27			(NP)Screw
28			(NP)Rotator set
29			(NP)Bearing
30			(NP)Eccentric wheel
31			(NP)Bearing
32			(NP)Front supportor
33			(NP)Stop pin
34			(NP)Screw

KEY No.	PART No.	STOCK No.	DESCRIPTION

Helpline: +44 (0) 23 8049 4344 Sales Desk: +44 (0) 23 8049 4333 General Enquiries: +44 (0) 23 8026 6355 internet: drapertools.com email: sales@drapertools.com