

DRAPER

EN

Original Instructions
Version 1 - November 2025

2800W

SILENT SHREDDER

30293



**UK
CA** **CE**

1. Preface

These are the original product instructions. Read the instruction manual in full and retain for future reference.

Please visit drapertools.com/manuals for the latest version of this manual and the associated parts list, if applicable.

1.1 Product Reference

User Manual for: 2800W Silent Shredder

Stock No: 30293

Part No: DGAC04

1.2 Revisions

Version 1: November 2025

First release

As our manuals are continually updated, always ensure that the latest version is used.

Please visit drapertools.com/manuals for the latest version of this manual and the associated parts list, if applicable.

1.3 Understanding the Safety Content of This Manual



WARNING! – Situations or actions that may result in personal injury or death.



CAUTION! – Situations or actions that may result in damage to the product or surroundings.

Important: – Information or instructions of particular importance.

1.4 Copyright © Notice

Copyright © Draper Tools Limited.

Permission is granted to reproduce this manual for personal and educational use **ONLY**. Commercial copying, redistribution, hiring or lending is strictly prohibited.

No part of this manual may be stored in a retrieval system or transmitted in any other form or means without written permission from Draper Tools Limited.

In all cases, this copyright notice must remain intact.

1. Preface	2	8. Maintenance and Troubleshooting	13-14
1.1 Product Reference	2	8.1 General Maintenance	13
1.2 Revisions	2	8.2 Cutting Drum and Pressure Plate Care	13
1.3 Understanding the Safety Content of This Manual	2	8.3 Cleaning the Shredder for Storage	13
1.4 Copyright © Notice	2	8.4 End of Season Maintenance	13
2. Contents	3	8.5 Troubleshooting	14
3. Product Introduction	4	9. Spares, Returns and Disposal	14
3.1 Intended Use	4	10. Explanation of Symbols	15
3.2 Specification	4	11. Warranty	16
4. Health and Safety Information	5-6		
4.1 General Health and Safety Precautions	5		
4.2 Connection to the Power Supply	6		
4.3 Residual Risk	6		
5. Identification and Unpacking	7-8		
5.1 Product Overview	7		
5.2 What's in the Box?	8		
5.3 Packaging	8		
6. Assembling Instructions	9-10		
6.1 Fitting the Support Feet	9		
6.2 Assembling the Wheels	9		
6.3 Fitting the Shredder Assembly to the Base Frame	9		
6.4 Inserting the Collection box	10		
7. Operating Instructions	11-12		
7.1 Operation Controls Explained	11		
7.2 Adjusting the Shredder Pressure Plate	12		
7.3 Operating the Shredder	12		
7.4 Emptying the Collection Box	12		
7.5 Removing Blockages	12		

3.1 Intended Use

This electric garden shredder is designed only for shredding organic compostable garden waste such as leaves, branches, hedge trimmings and dead flowers etc.

Any other application beyond the conditions established for use will be considered misuse. Draper Tools accepts no responsibility for improper use of this product.

This product is intended for domestic use only.

Read this manual in full before attempting to assemble, operate or maintain the product, and retain it for later use.

3.2 Specification

Stock No.	30293
Part No.	DGAC04
Rated voltage:	230 - 240V/50Hz
Rated Input:	2,800W (P40**)
Speed (no load):	42rpm
Cutting Blades:	
Blade diameter:	88mm
Number of blades:	1
Max cutting diameter:	45mm
Collection box capacity:	60L
Protection class:	II
Noise emissions:	
Sound pressure level:	75.7dB (A)
Sound power level:	88.4dB (A)
Uncertainty (K):	3dB (A)
Guaranteed sound power level:	92dB (A)
Cord length (approx.):	3M
Net weight:	27.4kg

Important: The declared noise emissions values have been measured in accordance with a standard test method and may be used for comparing one tool with another. These values may also be used in a preliminary assessment of exposure.

**P40 – Duty cycle. Each cycle comprising a period of operation of 40seconds at rated power input and a period of 60seconds with the machine at no load.



WARNING! The noise emissions during actual use of the product can differ from the declared values depending on the type of work and the area upon which it is used. Before each use, estimate the likely exposure resulting from the actual conditions of use. Take into account all parts of the operation cycle in order to identify any safety measures required to protect the operator.

Important: Read all the Health and Safety instructions before attempting to operate, maintain or repair this product. Failure to follow these instructions may result in injury or damage to the user or the product.

4.1 General Health and Safety Precautions

- Read the instructions carefully.
 - Be familiar with the controls and the proper use of the equipment.
- **NEVER** allow children, persons with reduced physical, sensory or mental capabilities or lack of experience and knowledge or people unfamiliar with these instructions to use the shredder. Local regulations may restrict the age of the operator.
- **NEVER** operate the shredder while people, especially children, or pets are nearby.
- **DO NOT** use the shredder for soft materials such as kitchen waste, or for juicing fruit or vegetables, as these materials could clog and damage the shredder.
- **DO NOT** use this machine for shredding stone, glass, metal, bones, plastics or textiles.
- **DO NOT** leave the shredder unattended when in use.



WARNING! ALWAYS switch off the shredder and unplug from the power supply before making any adjustments, cleaning or carrying out any maintenance.

- Protect the shredder from the damp and **DO NOT** use in a wet environment. **NEVER** expose it to rain.
- **DO NOT** use in poor weather conditions especially if there is a risk of lightening.
- **ALWAYS** wear appropriate PPE (Personal Protective Equipment):
 - Including eye protection, hearing protection and protective gloves.
 - Wear long trousers and substantial footwear during operation.
- **DO NOT** use this product while you are tired, or under the influence of drugs, alcohol or medication.
- **Dress properly! DO NOT** wear loose clothing or jewellery, which can be caught in moving parts.
- **DO NOT** overreach and keep proper footing and balance.
- **ALWAYS** be sure of footing on slopes and walk, never run.



DANGER! Rotating sharp cutters. Keep your hands and feet away from the openings when the machine is running.

- Switch off and wait until all parts of the machine have come to a complete stop before touching any hazardous parts.
- **NEVER** put your hands near the loading funnel inlet.
- **ALWAYS** Switch off and unplug the shredder:
 - Whenever the machine is left by the user.
 - Before clearing a blockage.
 - Before checking, cleaning or carrying out any maintenance on the machine.
 - After the shredding blade strikes a foreign object.
 - If the machine starts to vibrate abnormally, stop and check immediately.
- When using the shredder, the collection box must be fitted securely and the safety switch in the **'ON'** position.
- Ensure that all safety features and operation controls function correctly before use.
- **DO NOT** move the shredder while in operation.
- **NEVER** stand on the machine or use as a climbing aid.
- **DO NOT** operate the machine with defective guards or without safety devices or if the cord is damaged or worn.
- Before every use, inspect the product for broken, cracked and loose parts. Ensure the safety features are present and functioning and that all visible nuts, bolts and screws remain tight. **DO NOT** use this product if it is damaged in any way. Contact Draper Tools to discuss repair and replacement options.
- Keep in mind that the operator or user is responsible for accidents or hazards occurring to people or their property.
- **DO NOT** modify or make any alterations to this machine. Only use for its intended use.
- **DO NOT** immerse the shredder, power cord or plug in water or other liquids.
- **NEVER** touch the plug with wet hands.
- Keep the machine and cord away from sharp edges, open flames and hot surfaces.
- Ensure that the power cord does not present a trip hazard.
- Have the machine serviced **ONLY** by authorised and suitably qualified personnel, using recommended replacement parts.
- Keep extension cords away from moving hazardous parts to avoid damages to the cords which can lead to contact with live parts.

4.2 Connection to the Power Supply

This product is supplied with an approved plug and cord for your safety.

If the power supply cord is damaged, it must be replaced by Draper Tools, an authorised service agent or similarly qualified personnel in order to avoid a hazard.

The damaged or incomplete plug, when cut from the cord, shall be disabled to prevent connection to a live electrical outlet.

This is a Class II* product and is designed for connection to a power supply matching that detailed on the rating label and compatible with the plug fitted. The value of the fuse fitted is marked on the pin face of the plug. Should the fuse need replacing, use a small plain-slot screwdriver to remove the fuse cover. Ensure the substitute is of the correct rating, approved to BS 1362 and ASTA or BS Kite marked.

This should only be performed by suitably qualified personnel.

If an extension lead is required, use an approved and compatible lead rated for this appliance.

Important: Always follow the extension lead instructions regarding maximum load while the cable is wound. If in doubt, unwind the entire cable. A coiled extension lead generates heat which could melt the lead and cause a fire.

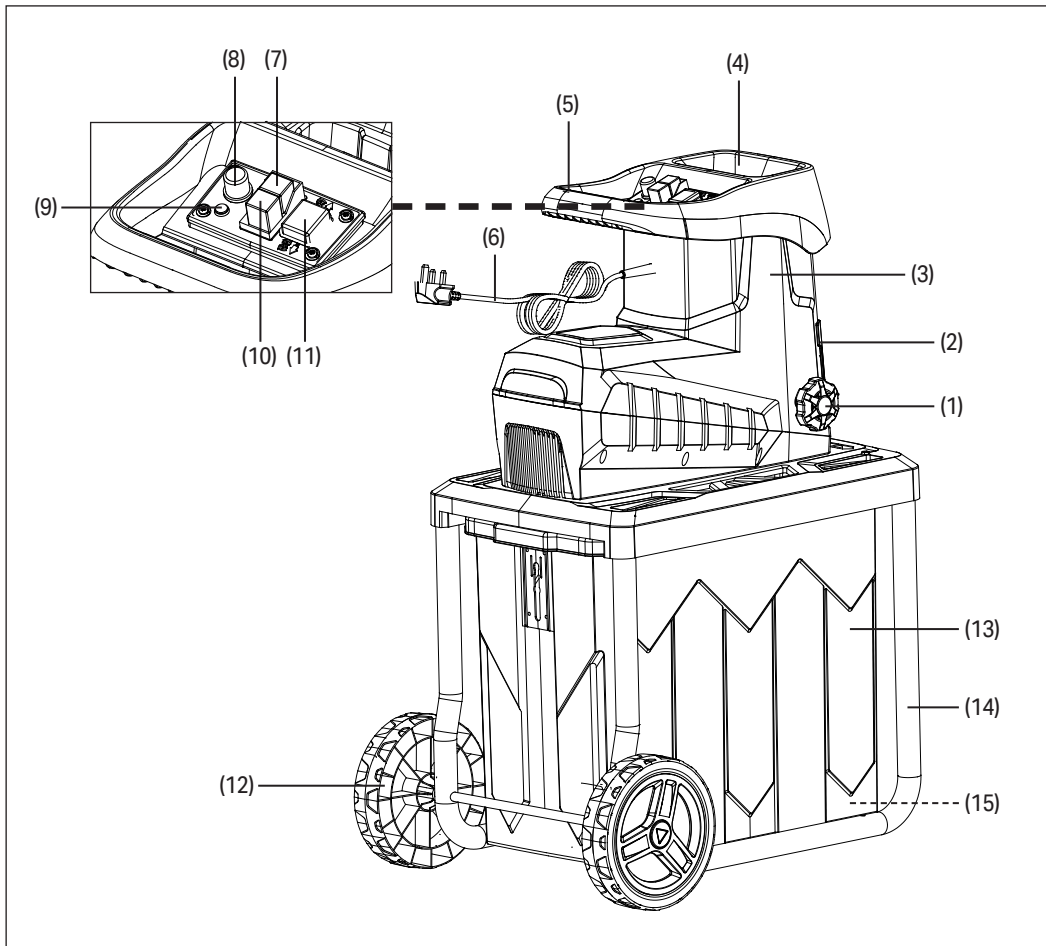
'Double insulated'  : This product is double insulated and does not require an earth connection to protect against electric shock from accessible conductive parts in the event of failure of the basic insulation.

The device must be supplied via a residual current protection device (RCD) with a rated residual current of no more than 30mA.

4.3 Residual Risk

The safety instructions in this manual cannot account for all possible conditions and situations that may occur. Exercise common sense and caution when using this product and protect against any additional conceivable risks.

5.1 Product Overview



- (1) Adjustment knob
- (2) Cutter cover
- (3) Shredder assembly
- (4) Hopper
- (5) Handle
- (6) Cord and plug
- (7) **'ON/I'** switch
- (8) Overload protection switch

- (9) Standby light
- (10) **'OFF/O'** switch
- (11) Function select switch
- (12) 2 X Wheel
- (13) Collection box
- (14) Frame
- (15) Feet

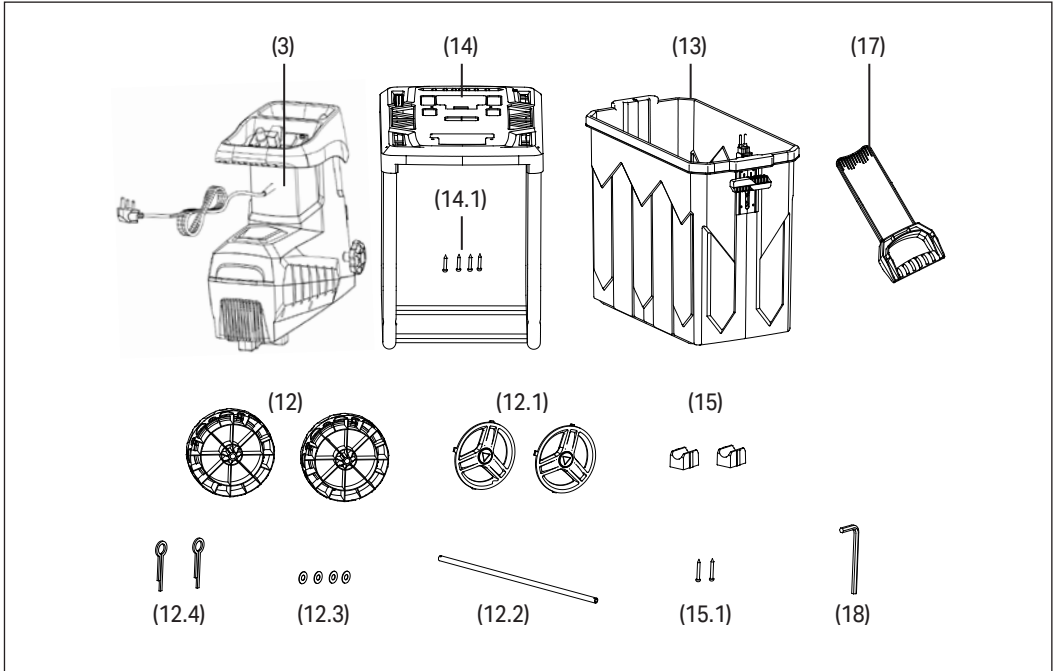
5. Identification and Unpacking

5.2 What's in the Box?

Carefully remove the product from the packaging and examine it for any signs of damage that may have occurred during shipment.

check them against the parts shown below. If any part is damaged or missing, do not attempt to use the product. Please contact the Draper Helpline; contact details can be found at the back of this manual.

Before assembling the product, lay the contents out and



(3) Shredder assembly

(12) 2 X Wheel

(12.1) 2 X Wheel cover

(12.2) 1 X Axle

(12.3) 4 X Washer

(12.4) 2 X Split pin

(14) Base frame

(14.1) 4 X (6 X 25mm) screw

(15) 2 X Feet

(15.1) 2 X (5 X 45mm) screw

(17) Pusher

(18) 5mm Hex.key

5.3 Packaging

Keep the product packaging for the duration of the warranty period in case the product needs to be returned for repair.

WARNING! Keep packaging materials out of reach of children. Dispose of packaging correctly and responsibly and in accordance with local regulations.

Please visit drapertools.com for our full range of accessories and consumables.

Important: Before assembling or adjusting this product, read and understand all the safety instructions listed in this manual.

6.1 Fitting the Support Feet (Fig.1)

- Fit the two support feet (15) to the base frame (14) using the two 5 X 45mm screws (15.1).

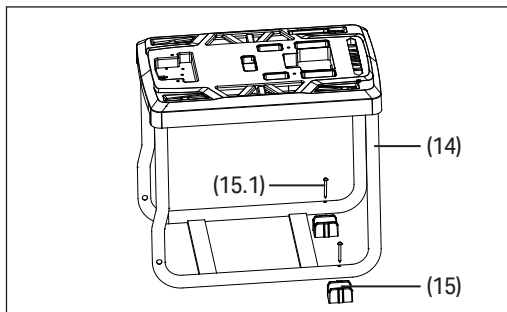


Fig.1

6.2 Assembling the Wheels (Fig.2 – Fig.3)

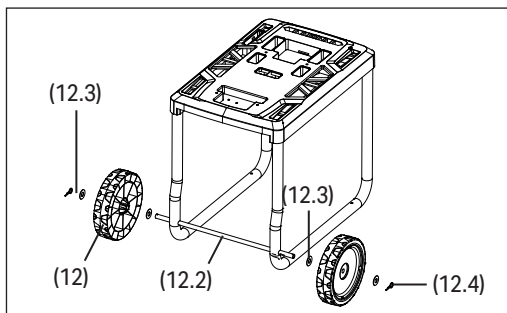


Fig.2

1. Insert the axle (12.2) through the holes in the base frame.
2. Slide a washer (12.3) onto each end of the axle and fit the wheels (12), then add another washer.
3. Insert a split pin (12.4) into the hole on both ends of the axle to secure the wheels.

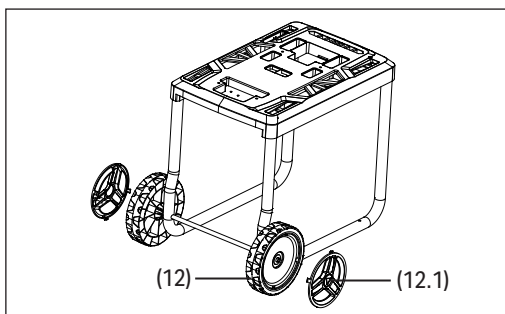


Fig.3

4. Clip on the wheel covers (12.1).

6.3 Fitting the Shredder Assembly to the Base Frame (Fig.4)

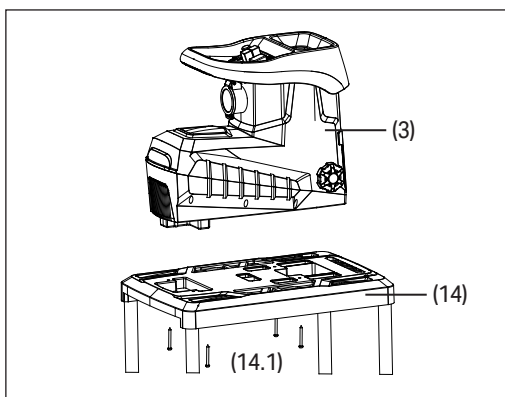


Fig.4

1. Position the shredder assembly (3) on top of the base frame (14).
 - Assemble correctly as shown in Fig.4.
2. Secure the shredder assembly to the base frame using the four 6 X 25mm screws (14.1).

6.4 Inserting the Collection box

(Fig.5 – Fig.6)

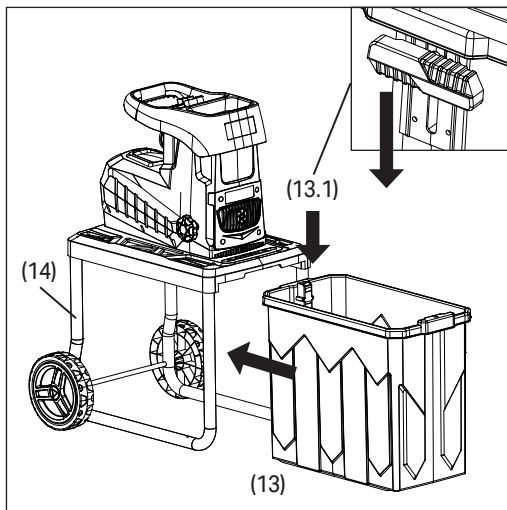


Fig.5

1. Push the safety switch (13.1) down on the collection box (13) to the 'OFF' position to unlock.
2. Then slide the collection box (13) into the base frame (14).

Note: The collection box can only be inserted from the frame end with the support feet.

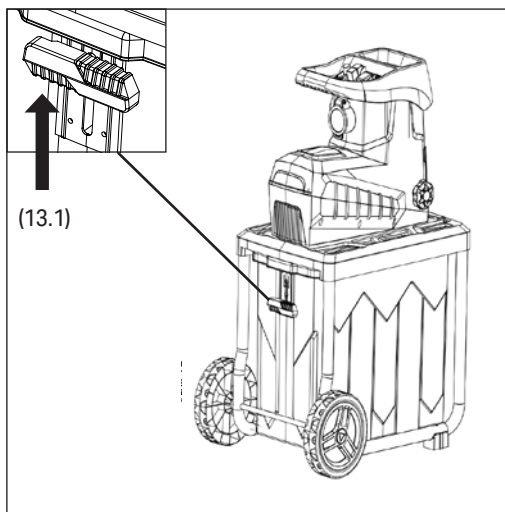


Fig.6

3. Lock the collection box by pushing the safety switch (13.1) up to the 'ON' position.

Note: The shredder will **NOT** operate unless the collection box is fitted and the safety switch is in the 'ON' position.

Important: Before operating this product, read and understand all the safety instructions listed in this manual. Ensure that the product is fully assembled and correctly prepared for use.

7.1 Operation Controls Explained

(Fig.7)

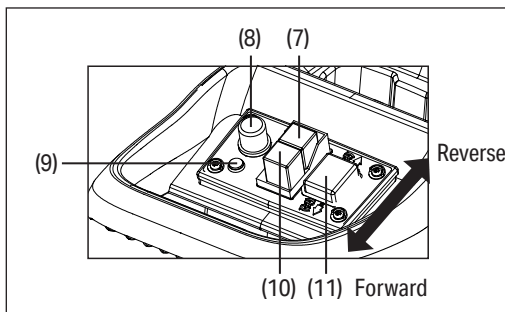


Fig.7

Item Number	Function	Operation
(8)	Overload protection switch	<ul style="list-style-type: none"> If the motor is overloaded (e.g. Material too thick or too hard) the overload protection will activate. The standby light (9) will go out, and the shredder will automatically switch off. <p>To reset the shredder:</p> <ul style="list-style-type: none"> Wait for at least two minutes. Then press the overload protection switch (8). The standby light will come on if ready for operation.
(9)	Standby light	<p>The red light will come on if:</p> <ul style="list-style-type: none"> Collection box fitted and locked correctly. Power supply is connected.
(7)	'ON/I' switch	<p>Press to switch the shredder on.</p> <ul style="list-style-type: none"> The switch will operate if the shredder is plugged in and the function select switch (11) is set to either forward or reverse.
(10)	'OFF/O' switch	Press to switch the shredder off.
(11)	Function select switch	<p>Use to switch between the two operating modes:</p> <p>Reverse – use to clear jammed material.</p> <ul style="list-style-type: none"> Operates only when switch pushed down. <p>No operation</p> <p>Forward – normal operation mode.</p> <ul style="list-style-type: none"> Material is pulled in and shredded. Operates continuously.



7.2 Adjusting the Shredder Pressure Plate

(Fig.8)

Important:

- The pressure plate is set for correct operation at the factory.
- During the first few hours of operation the pressure plate may require adjusting.

To adjust the pressure plate:

1. Assemble the shredder – see **Section 6**.
2. Switch the shredder to forward mode – see **Section 7.1**.

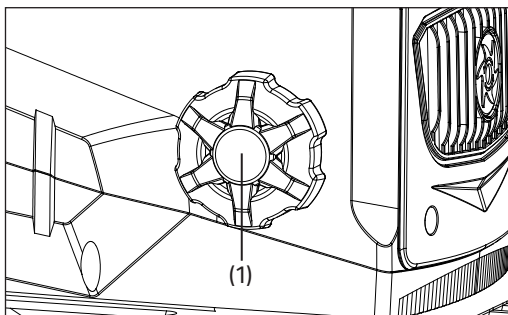


Fig.8

3. Slowly turn the adjustment knob (1) clockwise until a scraping noise is heard.
- Small amount of metal chips may be ejected.
4. Switch off the shredder – pressure plate is adjusted.

7.3 Operating the Shredder

1. Place the shredder on as firm level surface.
- Ensure there is no material in the hopper (4) and there is sufficient clearance around the shredder.
2. Insert the collection box (13) – see **section 6.4**.
3. Connect to a suitable power supply.
4. Switch 'ON' (7) – see **section 7.1**.
5. Use the pusher (17) supplied if the material to be shredded is not automatically pulled in.

Important! Wear heavy duty work gloves! Risk of injury from the cutters.

- Wear work gloves, goggles and ear protection.
- The material is drawn into the shredder automatically.
- **DO NOT** shred material with a diameter above 45mm.



CAUTION! keep a safe distance from the machine during operation. Long pieces of material projecting out of the funnel inlet may whiplash as they are drawn in.

- The collection box must **ALWAYS** be fitted with the safety switch locked during operation.
- **DO NOT** overfill the hopper inlet to avoid clogging.
- If you want to shred withered, damp material, alternate between putting in this material and dry branches. This will help to prevent the loading funnel becoming clogged.
- **DO NOT** shred soft waste (e.g. kitchen waste).
- Entangled branches and leaves should be thoroughly shredded before loading any more material.
- **DO NOT** allow the discharge opening to become clogged with shredded material.
- **DO NOT** cover the ventilation slots.
- **DO NOT** continuously feed heavy material or thick branches into the machine. This may cause the blade to jam. Reduce the feed rate and allow 3-5 seconds between pushes to allow correct shredding.
- Use the pusher (17) to remove any jammed materials from the hopper inlet.

7.4 Emptying the Collection Box

1. Switch off the shredder.
 2. Push the safety switch (13.1) on the collection box down to the 'OFF' position.
 3. Pull out the collection box and empty.
- Empty the collection box when approximately $\frac{3}{4}$ full.

7.5 Removing blockages

- Move the function switch to the 'Reverse' position to move jammed material back up the hopper see: **Section 7.1**.

Important: Always switch off and unplug the product before carrying out any adjustments, cleaning, maintenance or repairs.

If the power supply cord is damaged, it must be replaced by Draper Tools, an authorised service agent or similarly qualified personnel in order to avoid a hazard.

Maintenance and repairs should be carried out **ONLY** by authorised and suitably qualified personnel.

8.1 General Maintenance

- Clean the machine regularly to keep it in good working order.
- Remove shredded material from the machine after use.
- Keep the vent slots clean and clear of debris during operation.
- Use **ONLY** spare parts supplied and recommended by Draper Tools.
- Store the product in a dry and dust-free environment, out of reach of children.

8.2 Cutting Drum and Pressure Plate Care

(Fig.9)

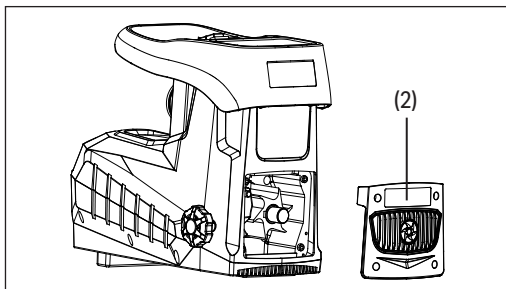


Fig.9

1. Remove the four screws from the cutter cover (2). Then lift off the cover.
2. Carefully remove any caked-on material from around the cutting drum and pressure plate.
3. Use a flat headed screwdriver to lever the cutting drum out.
4. Pull the pressure plate out to the front.
5. Remove any shredded material.
6. Insert the pressure plate and cutting drum back in – ensure seated correctly.
7. Refit and secure the cutter cover.
8. Check the pressure plate adjustment - see **Section 7.2**.

8.3 Cleaning the Shredder for Storage

1. Brush the inside and outside of the collection box. Remove wet or sticky residue by washing with warm soapy water. Allow to dry completely before refitting.
2. Brush off any debris from the shredder assembly and the base frame.
3. Brush off and dust or debris and clean the product exterior with a damp cloth **ONLY**. **NEVER** clean the shredder by spraying it with water.

Important: DO NOT use solvents or sharp objects to clean the shredder as this may damage the plastic parts.

8.4 End of Season Maintenance

1. Clean the shredder – see **Section 8.3**.
2. Remove and check the cutting drum and pressure plate – see **Section 8.2**.
- Check for excessive blade or pressure plate wear and get these parts replaced if excessive wear or damage noted.
3. Apply a thin layer of tool oil or grease to all metal parts.
4. Reassemble the shredder.

8.5 Troubleshooting

Problem	Possible Cause	Remedy
Shredder does not operate.	No power to the shredder.	Plug in and switch on. Check power supply cord and plug fuse for damage.
	Collection box safety switch is not activated.	Ensure the collection box is fitted and the safety switch is pushed up into the 'ON' position.
	Overload switch has activated.	Reset the overload protection – see 7.1.
Shredding performance poor.	Function select switch is set to 'reverse' .	Move switch to 'forward' for normal operation – see 7.1.
	Material being shredded is too soft.	Shred dry material. Not suitable for soft material.
	Cutting blade/hopper blocked.	Remove the blockage – see 7.5.
	Blades worn or damaged.	Switch off and unplug. Contact Draper Tools for advice.
Shredded material is discharged in long continuous pieces.	Pressure plate incorrectly adjusted.	Adjust the pressure plate – see 7.2.
Shredder vibration or making unusual noises	Loose components.	Check all components are a tight fit and check for signs of damage. Contact Draper Tools for advice.
	Obstruction in shredder.	Switch off and remove obstructions – see 7.5.

9. Spares, Returns and Disposal

For spare parts, servicing, and repair and replacement options, please contact the Draper Tools Product Helpline for details of your nearest authorised agent.

Draper Tools will endeavour to hold any spare parts, if applicable, for seven years from the date that it sells the final matching stock item.

Any servicing or repairs carried out by unauthorised personnel or installation of spare parts not supplied by

Draper Tools will invalidate your warranty.

At the end of its working life, dispose of the product responsibly and in line with local regulations. Recycle where possible.

- **DO NOT** dispose of this product with domestic waste; most local authorities provide appropriate.



10. Explanation of Symbols



Read the instruction manual.



Wear appropriate PPE (Personal protective equipment) including eye protection, ear defenders and gloves.



Hair protection must be worn/tie long hair back



DO NOT use in wet conditions



Keep out of the reach of children.



Warning!



Continuous A-weighted sound power level.



European conformity.



UK Conformity Assessed.



WEEE –
Waste Electrical & Electronic Equipment
Do not dispose of Waste Electrical & Electronic Equipment
in with domestic rubbish



Wait until all device components have stopped before touching the device.



Keep bystanders and animals away from the danger zone.



Danger! – rotating blades.
Keep hands and feet out of openings while the machine is operating.



Unplug from the power supply before working or carrying out any maintenance or if the power cord is damaged.



DO NOT touch rotating parts.



Warning! Risk of electric shock.

10. Warranty

This warranty covers parts and labour for 12 months from date of purchase – visit drapertools.com/warranty for more information. However, if the tools are hired out, the warranty period is 90 days from the date of purchase.

Should the tool develop a fault within the warranty period, return the complete tool to the place of purchase or contact Draper Tools directly. Proof of purchase must be provided.

This warranty does not apply to any consumable parts or normal wear and tear.

It also does not cover any damage caused by misuse, careless or unsafe handling, modifications, or repairs carried out by any personnel other than an authorised Draper Tools repair agent.

Please note that this guarantee is in addition to and does not affect your statutory rights.

Draper Tools

Contact Details

Draper Tools

Draper Tools Limited
Hursley Road
Chandler's Ford
Eastleigh
Hampshire
SO53 1YF
UK

Website: drapertools.com

Email: sales@drapertools.com

Product Helpline: +44 (0) 23 8049 4344

Telephone Sales Desk: +44 (0) 23 8049 4333

General Enquiries: +44 (0) 23 8026 6355

Draper Tools Europe B.V.

Oude Graaf 8
6002 NL
Weert
Netherlands

Please contact the Draper Tools Product Helpline for repair and servicing enquiries.