

**DRAPER**

**EN**

Original Instructions  
Version 1 - November 2025

2500W

# **IMPACT SHREDDER**

**30292**



**UK  
CA** **CE**

# 1. Preface

---

These are the original product instructions. Read the instruction manual in full and retain for future reference.

Please visit [drapertools.com/manuals](http://drapertools.com/manuals) for the latest version of this manual and the associated parts list, if applicable.

## 1.1 Product Reference

**User Manual for:** 2500W Impact Shredder

**Stock No:** 30292

**Part No:** DGAC01

## 1.2 Revisions

**Version 1:** November 2025

First release

As our manuals are continually updated, always ensure that the latest version is used.

Please visit [drapertools.com/manuals](http://drapertools.com/manuals) for the latest version of this manual and the associated parts list, if applicable.

## 1.3 Understanding the Safety Content of This Manual



**WARNING!** – Situations or actions that may result in personal injury or death.



**CAUTION!** – Situations or actions that may result in damage to the product or surroundings.

**Important:** – Information or instructions of particular importance.

## 1.4 Copyright © Notice

Copyright © Draper Tools Limited.

Permission is granted to reproduce this manual for personal and educational use **ONLY**. Commercial copying, redistribution, hiring or lending is strictly prohibited.

No part of this manual may be stored in a retrieval system or transmitted in any other form or means without written permission from Draper Tools Limited.

In all cases, this copyright notice must remain intact.

1. Preface	2	8. Maintenance and Troubleshooting	11-12
1.1 Product Reference	2	8.1 General Maintenance	11
1.2 Revisions	2	8.2 Replacing the Blades	12
1.3 Understanding the Safety Content of This Manual	2	8.3 Troubleshooting	12
1.4 Copyright © Notice	2	9. Spares, Returns and Disposal	13
2. Contents	3	10. Warranty	13
3. Product Introduction	4	11. Explanation of Symbols	14
3.1 Intended Use	4		
3.2 Specification	4		
4. Health and Safety Information	5-6		
4.1 General Health and Safety Precautions	5		
4.2 Connection to the Power Supply	6		
4.3 Residual Risk	6		
5. Identification and Unpacking	7-8		
5.1 Product Overview	7		
5.2 What's in the Box?	8		
5.3 Packaging	8		
6. Assembling Instructions	9		
6.1 Fitting the Support Feet	9		
6.2 Assembling the Wheels	9		
6.3 Fitting the Motor Housing	9		
6.4 Fitting the Collection Box	9		
7. Operating Instructions	10-11		
7.1 Switching the Shredder ON & OFF	10		
7.2 Using the Shredder	10		
7.3 Safety Switch Operation	10		
7.4 Removing Blockages	11		

## 3.1 Intended Use

This electric garden shredder is designed only for shredding organic compostable garden waste such as leaves, branches, hedge trimmings, dead flowers etc.

Any other application beyond the conditions established for use will be considered misuse. Draper Tools accepts no responsibility for improper use of this product.

## 3.2 Specification

Stock No.	30292
Part No.	DGAC01
Rated voltage:	230 - 240V/50Hz
Rated Input:	2,500W (P40**)
Speed (no load):	4,200rpm
<b>Cutting Blades:</b>	
Blade diameter:	170mm
Number of blades:	2
Max cutting diameter:	45mm
Collection box capacity:	60L
Protection class:	II
<b>Noise emissions:</b>	
Sound pressure level:	97.9dB (A)
Sound power level:	113.5dB (A)
Uncertainty (K):	3dB (A)
Guaranteed sound power level:	117dB (A)
Cord length (approx.):	3M
Net weight:	13.4kg

**Important:** The declared noise emissions values have been measured in accordance with a standard test method and may be used for comparing one tool with another. These values may also be used in a preliminary assessment of exposure.

\*\*P40 – Duty cycle. Each cycle comprising a period of operation of 40seconds at rated power input and a period of 60seconds with the machine at no load.

**This product is intended for domestic use only.**

Read this manual in full before attempting to assemble, operate or maintain the product, and retain it for later use.



**WARNING! The noise emissions during actual use of the product can differ from the declared values depending on the type of work and the area upon which it is used. Before each use, estimate the likely exposure resulting from the actual conditions of use. Take into account all parts of the operation cycle in order to identify any safety measures required to protect the operator.**

**Important:** Read all the Health and Safety instructions before attempting to operate, maintain or repair this product. Failure to follow these instructions may result in injury or damage to the user or the product.

### 4.1 General Health and Safety Precautions

- Read the instructions carefully.
  - Be familiar with the controls and the proper use of the equipment.
- **NEVER** allow children, persons with reduced physical, sensory or mental capabilities or lack of experience and knowledge or people unfamiliar with these instructions to use the shredder. Local regulations may restrict the age of the operator.
- **NEVER** operate the shredder while people, especially children, or pets are nearby.
- **DO NOT** use the shredder for soft materials such as kitchen waste, or for juicing fruit or vegetables, as these materials could clog and damage the shredder.
- **DO NOT** use this machine for shredding stone, glass, metal, bones, plastics or textiles.
- **DO NOT** leave the shredder unattended when in use.
- Position on a flat, even and solid surface.
- **DO NOT** operate the shredder on a paved or gravel surface where ejected material could cause injury.

 **WARNING! ALWAYS switch off the shredder and unplug from the power supply before making any adjustments, cleaning, transporting or carrying out any maintenance.**

- Protect the shredder from the damp and **DO NOT** use in a wet environment. **NEVER** expose it to rain.
- **DO NOT** use in poor weather conditions especially if there is a risk of lightening.
- **ALWAYS** wear appropriate PPE (Personal Protective Equipment):
  - Including eye protection, hearing protection and protective gloves.
  - Wear long trousers and substantial footwear during operation.
- **DO NOT** use this product while you are tired, or under the influence of drugs, alcohol or medication.
- **Dress properly! DO NOT** wear loose clothing or jewellery, which can be caught in moving parts.
- **DO NOT** overreach and keep proper footing and balance.

- **ALWAYS** be sure of footing on slopes and walk, never run.



**DANGER! Rotating sharp cutters. Keep your hands and feet away from the openings when the machine is running.**

- Switch off and wait until all parts of the machine have come to a complete stop before touching any hazardous parts.
- **NEVER** put your hands near the loading funnel inlet.
- **ALWAYS** Switch off and unplug the shredder:
  - Whenever the machine is left by the user.
  - Before clearing a blockage.
  - Before checking, cleaning or carrying out any maintenance on the machine.
  - After the shredding blade strikes a foreign object.
  - If the machine starts to vibrate abnormally, stop and check immediately.
- When using the shredder, the collection box must be fitted securely and the safety switch in the **'ON'** position.
- Ensure that all safety features and operation controls function correctly before use.
- **DO NOT** move the shredder while in operation.
- **NEVER** stand on the machine or use as a climbing aid.
- **DO NOT** operate the machine with defective guards or without safety devices or if the cord is damaged or worn.
- Before every use, inspect the product for broken, cracked and loose parts. Ensure the safety features are present and functioning and that all visible nuts, bolts and screws remain tight. **DO NOT** use this product if it is damaged in any way. Contact Draper Tools to discuss repair and replacement options.
- Keep in mind that the operator or user is responsible for accidents or hazards occurring to people or their property.
- **DO NOT** modify or make any alterations to this product. Only use for its intended use.
- **DO NOT** immerse the shredder, power cord or plug in water or other liquids.
- **NEVER** touch the plug with wet hands.
- Keep the machine and cord away from sharp edges, open flames and hot surfaces.
- Ensure that the power cord does not present a trip hazard.
- Have the machine serviced **ONLY** by authorised and suitably qualified personnel, using recommended replacement parts.

- Keep extension cords away from moving hazardous parts to avoid damages to the cords which can lead to contact with live parts.

## 4.2 Connection to the Power Supply

This product is supplied with an approved plug and cord for your safety.

If the power supply cord is damaged, it must be replaced by Draper Tools, an authorised service agent or similarly qualified personnel in order to avoid a hazard.


The damaged or incomplete plug, when cut from the cord, shall be disabled to prevent connection to a live electrical outlet.

This is a Class II<sup>†</sup> product and is designed for connection to a power supply matching that detailed on the rating label and compatible with the plug fitted. The value of the fuse fitted is marked on the pin face of the plug. Should the fuse need replacing, use a small plain-slot screwdriver to remove the fuse cover. Ensure the substitute is of the correct rating, approved to BS 1362 and ASTA or BS Kite marked.

This should only be performed by suitably qualified personnel.

If an extension lead is required, use an approved and compatible lead rated for this appliance.

**Important:** Always follow the extension lead instructions regarding maximum load while the cable is wound. If in doubt, unwind the entire cable. A coiled extension lead generates heat which could melt the lead and cause a fire.

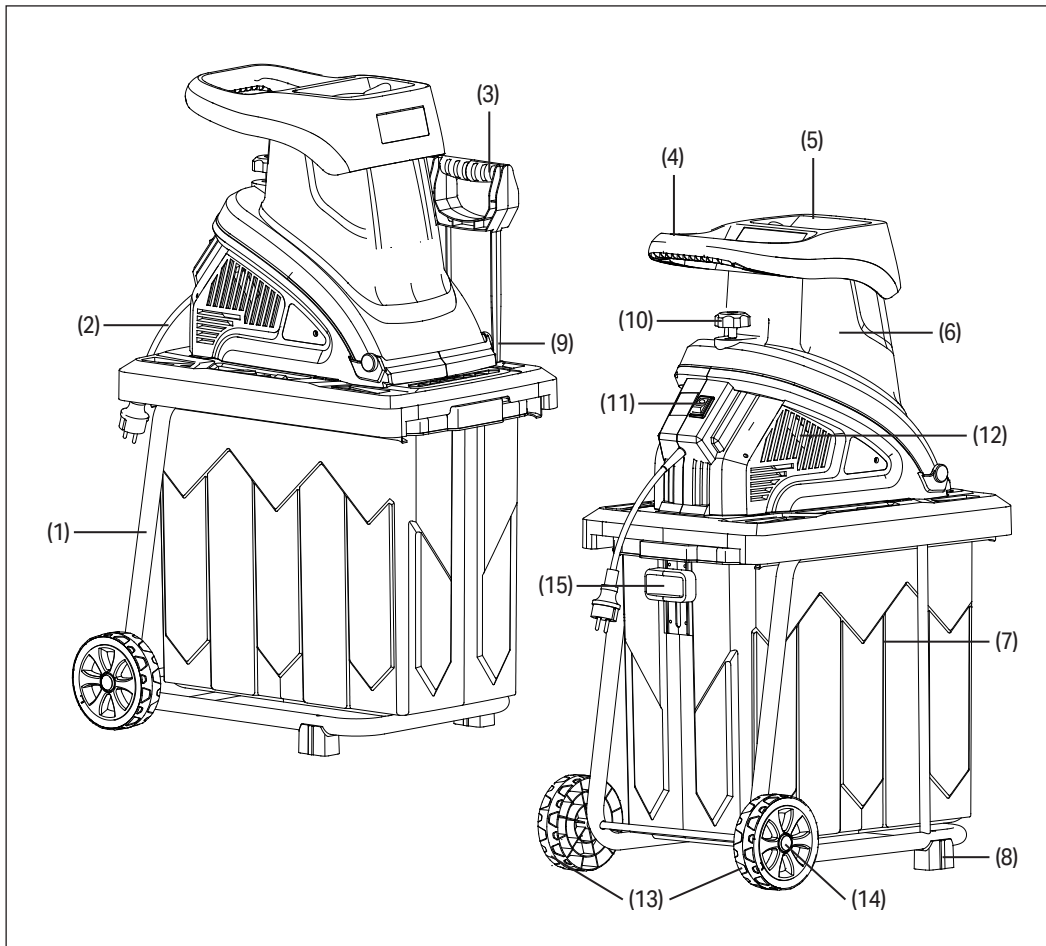
**†Double insulated** : This product is double insulated and does not require an earth connection to protect against electric shock from accessible conductive parts in the event of failure of the basic insulation.

The device must be supplied via a residual current protection device (RCD) with a rated residual current of no more than 30mA.

## 4.3 Residual Risk

The safety instructions in this manual cannot account for all possible conditions and situations that may occur. Exercise common sense and caution when using this product and protect against any additional conceivable risks.

## 5.1 Product Overview



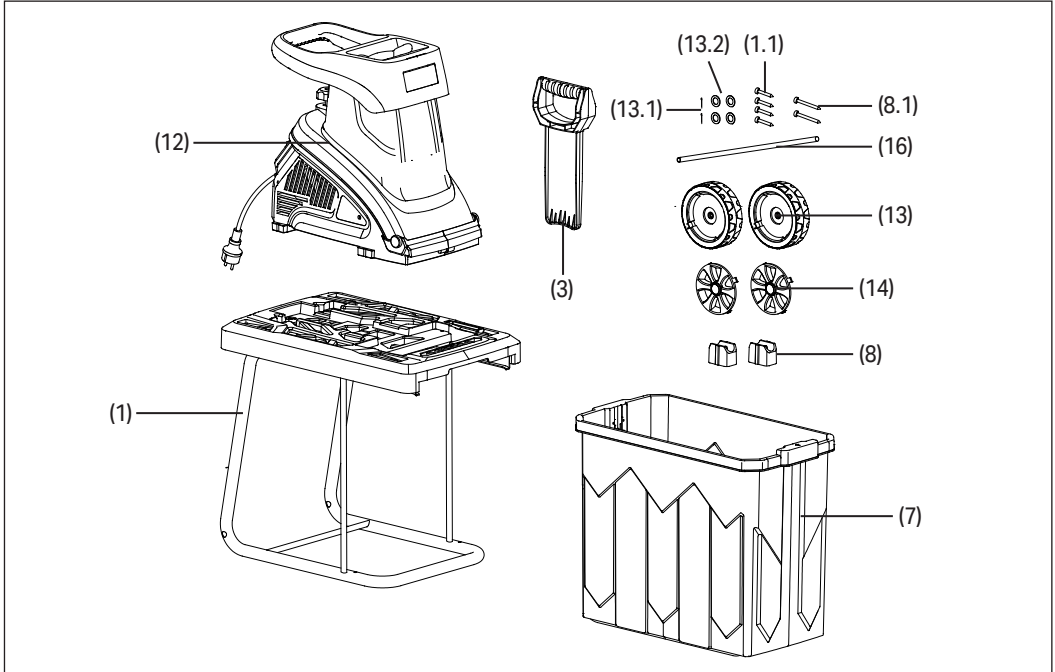
- (1) Frame
- (2) Cord and plug
- (3) Pusher
- (4) Transport handle
- (5) Loading funnel inlet
- (6) Loading funnel
- (7) Collection box
- (8) Feet
- (9) Pusher holder
- (10) Funnel safety/release screw
- (11) **ON/OFF** switch
- (12) Motor housing with cutter plate
- (13) 2 X Wheels
- (14) 2 X Wheel hubs
- (15) Collection box safety switch

# 5. Identification and Unpacking

## 5.2 What's in the Box?

Carefully remove the product from the packaging and examine it for any signs of damage that may have occurred during shipment. Before assembling the product, lay the contents out and check them against the parts shown

below. If any part is damaged or missing, do not attempt to use the product. Please contact the Draper Helpline; contact details can be found at the back of this manual.



- (1) Frame assembly
  - (1.1) 4 X Screws
- (3) Pusher
- (7) Collection box
- (8) 2 X Feet
  - (8.1) 2 X Screws
- (12) Motor housing with cutter plate
- (13) 2 X Wheels
  - (13.1) 2 X R-clips
  - (13.2) 4 X Washers
- (14) 2 X Wheel hubs
- (16) Wheel axle

## 5.3 Packaging

Keep the product packaging for the duration of the warranty period in case the product needs to be returned for repair.

**WARNING!** Keep packaging materials out of reach of children. Dispose of packaging correctly and responsibly and in accordance with local regulations.

Please visit [drapertools.com](http://drapertools.com) for our full range of accessories and consumables.

# 6. Assembling Instructions

**Important:** Before assembling or adjusting this product, read and understand all the safety instructions listed in this manual.

## 6.1 Fitting the Support Feet (Fig.1)

- Fit the support feet (8) to the frame (1) and secure with the two screws (8.1) supplied.

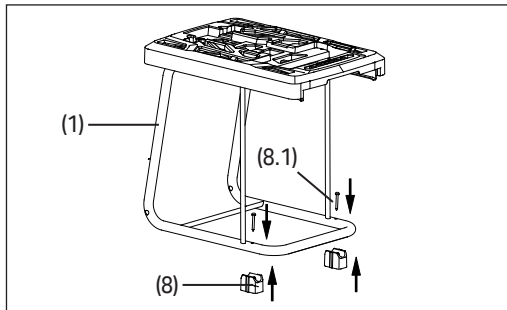


Fig.1

## 6.2 Assembling the Wheels (Fig.2)

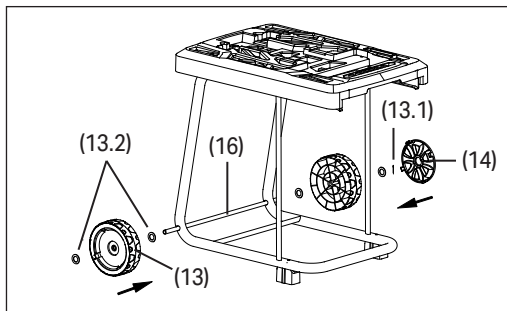


Fig.2

1. Fit the axle (16) to the frame (1).
  - Insert the axle (16) through the holes in both sides of the frame.
2. Attach the wheels (13) on both sides.
  - Fit a washer (13.2) to each end of the axle.
  - Then fit the wheels and another washer to the axle.
  - Secure the wheels to the axle using the R-clips (13.1).
3. Clip the wheel hub caps (14) on.

## 6.3 Fitting the Motor Housing (Fig.3 – Fig.4)

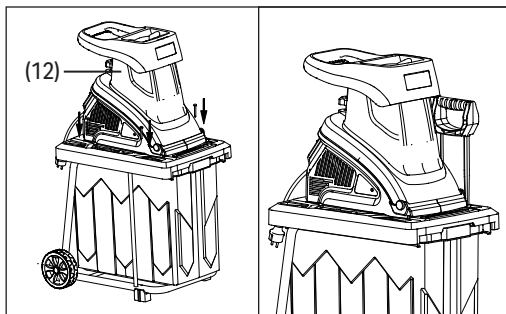


Fig.3

Fig.4

1. Place the motor housing (12) on the frame assembly (1).
2. Align the holes and secure with the 4 screws (1.1).
3. The pusher (3) can be stored in the holder (9) once the collection box (7) is fitted.

## 6.4 Fitting the Collection Box (Fig.5 – Fig.6)

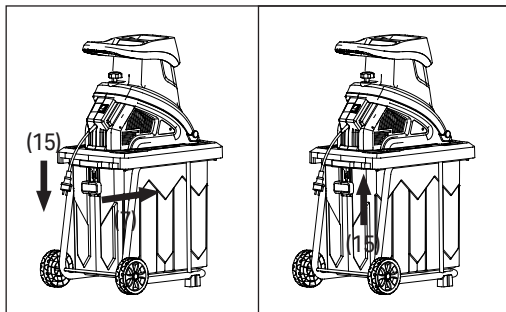


Fig.5

Fig.6

- Check that the safety switch (15) is pushed down into the 'OFF' position. Then slide the collection box (7) under the motor housing (12).
- Secure the box by pushing the safety switch upwards to the 'ON' position.

**Note:** The shredder will not operate unless the collection box is fitted and the safety switch is 'ON'.

**Important:** Before operating this product, read and understand all the safety instructions listed in this manual. Ensure that the product is fully assembled and correctly prepared for use.

## 7.1 Switching the Shredder ON & OFF

(Fig.7)

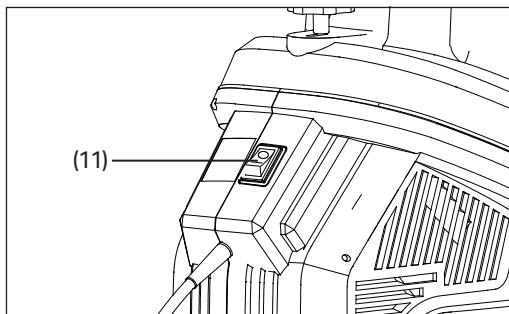


Fig.7

1. Plug the shredder into an appropriate power supply.
  2. Move the **ON/OFF** switch (11) to the '**ON/I**' position to start the shredder.
- To switch off - Move the **ON/OFF** switch (11) to the '**OFF/O**' position.

**Overload protection** - The motor is protected with an overload switch. The shredder will shut down automatically.

**Note:** If the power supply is interrupted during operation the shredder will switch off automatically, but the switch will remain in the '**ON/I**' position. The shredder cannot be restarted until the **ON/OFF** switch is moved to the '**OFF/O**' position and then turned back to the '**ON/I**' position.

## 7.2 Using the Shredder

**Important!** Wear heavy duty work gloves! Risk of injury from the cutters.

- Wear work gloves, goggles and ear protection.
- The material is drawn into the shredder automatically.
- **DO NOT** shred materials with a diameter above 45mm.



**CAUTION!** keep a safe distance from the machine during operation. Long pieces of material projecting out of the funnel inlet may whiplash as they are drawn in.

- The collection box must **ALWAYS** be fitted with the safety switch locked during operation.
- **DO NOT** overfill the funnel inlet to avoid clogging.
- If you want to shred withered, damp material, alternate between putting in this material and dry branches. This will help to prevent the loading funnel becoming clogged.
- **DO NOT** shred soft waste (e.g. kitchen waste).
- Entangled branches and leaves should be thoroughly shredded before loading any more material.
- **DO NOT** allow the discharge opening to become clogged with shredded material.
- **DO NOT** cover the ventilation slots.
- **DO NOT** continuously feed heavy material or thick branches into the machine. This may cause the blade to jam. Reduce the feed rate and allow 3-5seconds between pushes to allow correct shredding.
- Use the pusher (3) to remove any jammed materials from the funnel inlet (5).

## 7.3 Safety Switch Operation (Fig.8)



**CAUTION! NEVER** undo the release screw (10) without first switching off and unplugging the shredder from the power supply.

- The shredder safety switch screw (10.1) is situated between the motor housing and loading hopper (6). If the loading funnel is not correctly locked down the safety switch will prevent the motor from operating.

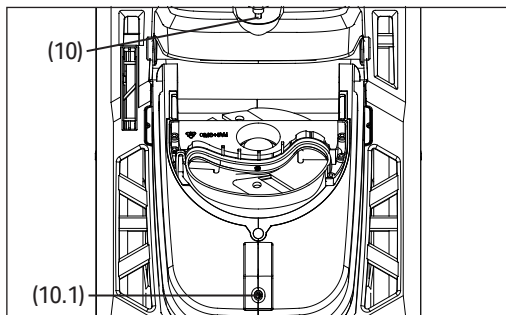


Fig.8

### 7.4 Removing Blockages (Fig.9)

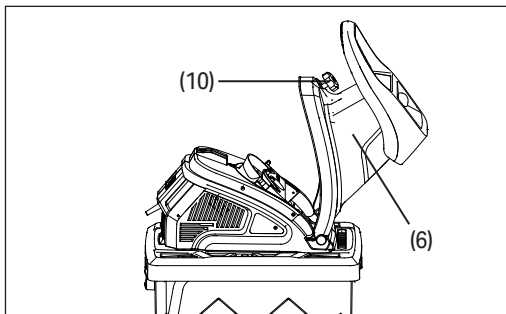


Fig.9

- To remove blockages, first switch off and unplug the shredder.
- Open the loading funnel (6) by turning the release screw (10) to the unlock (🔓) position, then lift up the funnel cover.
- Remove any blockages from the inside the shredder
  - Carefully clean the interior.
- Reclose the loading funnel and turn the safety release screw to the lock (🔒) position.

## 8. Maintenance and Troubleshooting

**Important:** **ALWAYS** switch off and unplug the product before carrying out any adjustments, cleaning, maintenance or repairs.

If the power supply cord is damaged, it must be replaced by Draper Tools, an authorised service agent or similarly qualified personnel in order to avoid a hazard.

Maintenance and repairs should be carried out **ONLY** by authorised and suitably qualified personnel.

### 8.1 General Maintenance

- Clean the machine regularly to keep it in good working order.
- Check the motor housing/frame securing screws regularly to ensure they remain tight.

- Keep the vent slots clean and clear of debris during operation.
- Brush off any dust or debris and clean the product exterior with a damp cloth **ONLY. NEVER** clean the shredder by spraying it with water.

**Important:** **DO NOT** use solvents as this may damage the plastic parts.

- Use **ONLY** spare parts supplied and recommended by Draper Tools.
- Store the product in a dry and dust-free environment, out of reach of children.

## 8.2 Replacing the Blades (Fig.10 – Fig.11)

- The blades on the blade plate are replaceable. **ALWAYS** replace the blades with the correct blades recommended by Draper Tools.

**Note:** For safety reasons all sharpening and blade replacement work should be carried out by an authorised service agent.

- ALWAYS** wear heavy duty working gloves when changing the blades.

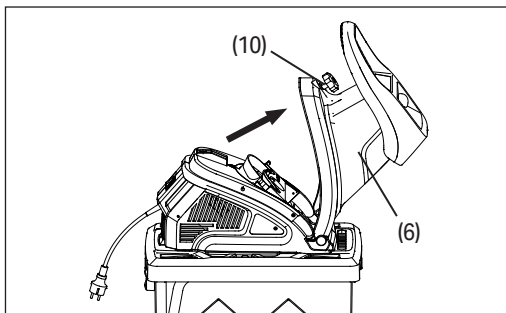


Fig.10

- Switch off and unplug the shredder before changing the blades.
- Open the loading funnel (6) by turning the release screw (10) to the unlock (🔓) position, then lift up the funnel cover.

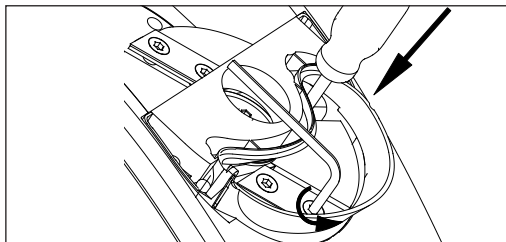


Fig.11

- Undo the six cross slot screws and remove the blade cover plate.
  - Use a screwdriver to stop the blade from rotating.
- Use a hex. key to undo the four blade hex head bolts and remove the blade.
  - Each of the blades can be turned once as they are ground sharp on both ends. Then they must be replaced by new blades.
- Reassemble the blade and cover in the reverse order.

## 8.3 Troubleshooting

Problem	Possible Cause	Remedy
Shredder does not operate.	No power to the shredder.	Plug in and switch on. Check power supply cord and plug for damage.
	Loading funnel safety release switch is not in the locked position.	Check safety release switch is in the locked position.
	Collection box safety switch is not activated.	Ensure the collection box is fitted and the safety switch is pushed up into the 'ON' position.
	Overload switch has activated.	Refer to <b>section 7.1</b> to reset the overload switch.
	Funnel or ejector chute clogged.	Switch off and unplug. Open the loading funnel – <b>see 7.4</b> . Clear funnel and discharge chute.
Shredding performance poor.	Blades worn or damaged.	Switch off and unplug. Open the loading funnel – <b>see 7.4</b> . Turn the blade once. Sharpen or replace the blade.

## 9. Spares, Returns and Disposal

EN

For spare parts, servicing, and repair and replacement options, please contact the Draper Tools Product Helpline for details of your nearest authorised agent.

Draper Tools will endeavour to hold any spare parts, if applicable, for seven years from the date that it sells the final matching stock item.

Any servicing or repairs carried out by unauthorised personnel or installation of spare parts not supplied by Draper Tools will invalidate your warranty.

At the end of its working life, dispose of the product responsibly and in line with local regulations. Recycle where possible.

- **DO NOT** dispose of this product with domestic waste; most local authorities provide appropriate.



## 10. Warranty

EN

This warranty covers parts and labour for 12 months from date of purchase – visit [drapertools.com/warranty](http://drapertools.com/warranty) for more information. However, if the tools are hired out, the warranty period is 90 days from the date of purchase.

Should the tool develop a fault within the warranty period, return the complete tool to the place of purchase or contact Draper Tools directly. Proof of purchase must be provided.

This warranty does not apply to any consumable parts or normal wear and tear.

It also does not cover any damage caused by misuse, careless or unsafe handling, modifications, or repairs carried out by any personnel other than an authorised Draper Tools repair agent.

Please note that this guarantee is in addition to and does not affect your statutory rights.

### Draper Tools

# 11. Explanation of Symbols



Read the instruction manual.



Wear appropriate PPE (Personal protective equipment) including eye protection, ear defenders and gloves.



Hair protection must be worn/tie long hair back



**DO NOT** use in wet conditions



Keep out of the reach of children.



**Warning!**



Continuous A-weighted sound power level.



European conformity.



UK Conformity Assessed.



WEEE –  
Waste Electrical & Electronic Equipment  
Do not dispose of Waste Electrical & Electronic Equipment  
in with domestic rubbish



Wait until all device components have stopped before touching the device.



Keep bystanders and animals away from the danger zone.



**Danger! – rotating blades.**  
Keep hands and feet out of openings while the machine is operating.



Unplug from the power supply before working or carrying out any maintenance or if the power cord is damaged.



**DO NOT** touch rotating parts.



**Warning!** Risk of electric shock.



## Contact Details

### **Draper Tools**

Draper Tools Limited  
Hursley Road  
Chandler's Ford  
Eastleigh  
Hampshire  
SO53 1YF  
UK

**Website:** [drapertools.com](http://drapertools.com)

**Email:** [sales@drapertools.com](mailto:sales@drapertools.com)

**Product Helpline:** +44 (0) 23 8049 4344

**Telephone Sales Desk:** +44 (0) 23 8049 4333

**General Enquiries:** +44 (0) 23 8026 6355

### **Draper Tools Europe B.V.**

Oude Graaf 8  
6002 NL  
Weert  
Netherlands

Please contact the Draper Tools Product Helpline for repair and servicing enquiries.