

EN

Original Instructions
Version 2

DRAPER[®]

75L MOBILE
**TIPPER
CART**

58553



These are the original product instructions. This document is part of the product; retain it for the life of the product, passing it on to subsequent holders. Read this manual in full before attempting to assemble, operate or maintain this product.

This Draper Tools manual describes the purpose of the product and contains all the necessary information to ensure its correct and safe use. Following all the instructions and guidance in this manual will ensure the safety of both the product and the operator and increase the lifespan of the product.

All photographs and drawings within this manual are supplied by Draper Tools to help illustrate correct operation of the product.

Every effort has been made to ensure the information contained in this manual is accurate. However, Draper Tools reserves the right to amend this document without prior warning. Always use the latest version of the product manual.

1.1 Product Reference

User Manual for: Mobile Tipper Cart, 75L

Stock No: 58553

Part No: GTC

1.2 Revisions

Version 1: August 2022

First release

Version 2: January 2024

Expansion and format updates

For the latest version of this manual and the associated parts list, if applicable, please visit **drapertools.com/manuals**.

1.3 Understanding the Safety Content of This Manual



WARNING! – Situations or actions that may result in personal injury or death.



CAUTION! – Situations or actions that may result in damage to the product or surroundings.

Important: – Information or instructions of particular importance.

1.4 Copyright © Notice

Copyright © Draper Tools Limited.

Permission is granted to reproduce this manual for personal and educational use **ONLY**. Commercial copying, redistribution, hiring or lending is strictly prohibited.

No part of this manual may be stored in a retrieval system or transmitted in any other form or means without written permission from Draper Tools Limited.

In all cases, this copyright notice must remain intact.

1. Preface	2
1.1 Product Reference	2
1.2 Revisions	2
1.3 Understanding the Safety Content of This Manual	2
1.4 Copyright © Notice	2
2. Contents	3
3. Product Introduction	4
3.1 Scope	4
3.2 Specification	4
4. Explanation of Symbols	4
5. Health and Safety Information	5
5.1 General Health and Safety Precautions	5
6. Identification and Unpacking	5-6
6.1 Required Tools	5
6.2 Packaging	5
6.3 What's in the Box?	6
7. Assembly Instructions	7-9
7.1 Assembly	7-9
8. Operation	10
8.1 Tipping the Hopper	10
8.2 The Cart Handle	10
9. Maintenance and Storage	11
10. Spares, Returns and Disposal	11
11. Warranty	11

3. Product Introduction

EN

3.1 Scope

This product is designed to transport and displace loads of up to the rated value and is particularly suited to garden materials. Any other application beyond the conditions established for use will be considered misuse. Draper Tools accepts no responsibility for improper use of this product.

WARNING! This product is not a toy and must be respected.

Read this manual in full before attempting to assemble, operate or maintain the product, and retain it for later use.

3.2 Specification

Stock No.	58553
Part No.	GTC
Max. load	
Capacity	75L
Transporting only	200kg
Tipping	200kg
Max. tyre pressure	2.1bar (30psi)
Dimensions:	
Hopper	L 930 x W 510 x H 210mm
Full (flat)	L 1,040 x W 510 x H 930mm
Net weight	14.8kg

4. Explanation of Symbols

EN



Read the instruction manual



Warning!

Important: Read all the Health and Safety instructions before attempting to operate, maintain or repair this product. Non-compliance with these instructions may result in injury or damage to the user or product.

5.1 General Health and Safety Precautions

- Observe all standard Health and Safety precautions when working with machines and tools in an outdoor environment.
- Before every use, inspect the cart for broken, cracked, loose or corroded parts.
- **Important: DO NOT** use this product if it is damaged in any way. Contact Draper Tools to discuss repair and replacement options.
- Wear protective footwear when using this product under heavy loads.
- **DO NOT** sit, stand or ride on this cart at any time.
- **DO NOT** use this product if you are tired or under the influence of alcohol, drugs or other medication.
- Ensure that the tyres are suitably inflated before use.
 - **DO NOT** exceed a tyre pressure of 2.1bar (30psi).
- Distribute the load evenly within the hopper.

- Ensure that the load is safely contained within the hopper and unlikely to fall.
 - **DO NOT** load items onto the top edges of the hopper.
- Inspect the intended route and clear any obstructions before moving the cart under load.
- Take care when moving the cart under load.
 - **ALWAYS** ensure that all parts are secured before moving the cart.
 - **DO NOT** use the cart on uneven surfaces that may cause it to tip over.
 - Take additional care when moving or tipping heavy loads; do not overexert yourself.
- The wheels of this product **DO NOT** lock.
 - Ensure that the cart will not roll once positioned for use.
- Take particular care when using the cart on sloped surfaces.
- Ensure that the handle is in an upright position when not in use to avoid a trip hazard.
- **ONLY** use spare parts supplied by Draper Tools.

6. Identification and Unpacking

Important: The instructions for this product have been rewritten to improve readability and understanding during assembly. Because of this, the step numbers identified on the hardware (bolts, washers, nuts, etc.)

packaging no longer apply. Please read the instructions carefully to ensure you select the correct hardware for each step of the instructions.

6.1 Required Tools

The following tools (or suitable alternatives) are required for assembly (not supplied):

- 1 x Large plain slot screwdriver
- 1 x Large PH-type screwdriver
- 2 x 13mm spanners
- 1 x 19mm spanner

6.2 Packaging

Keep the product packaging for the duration of the warranty period in case the product needs to be returned for repair.

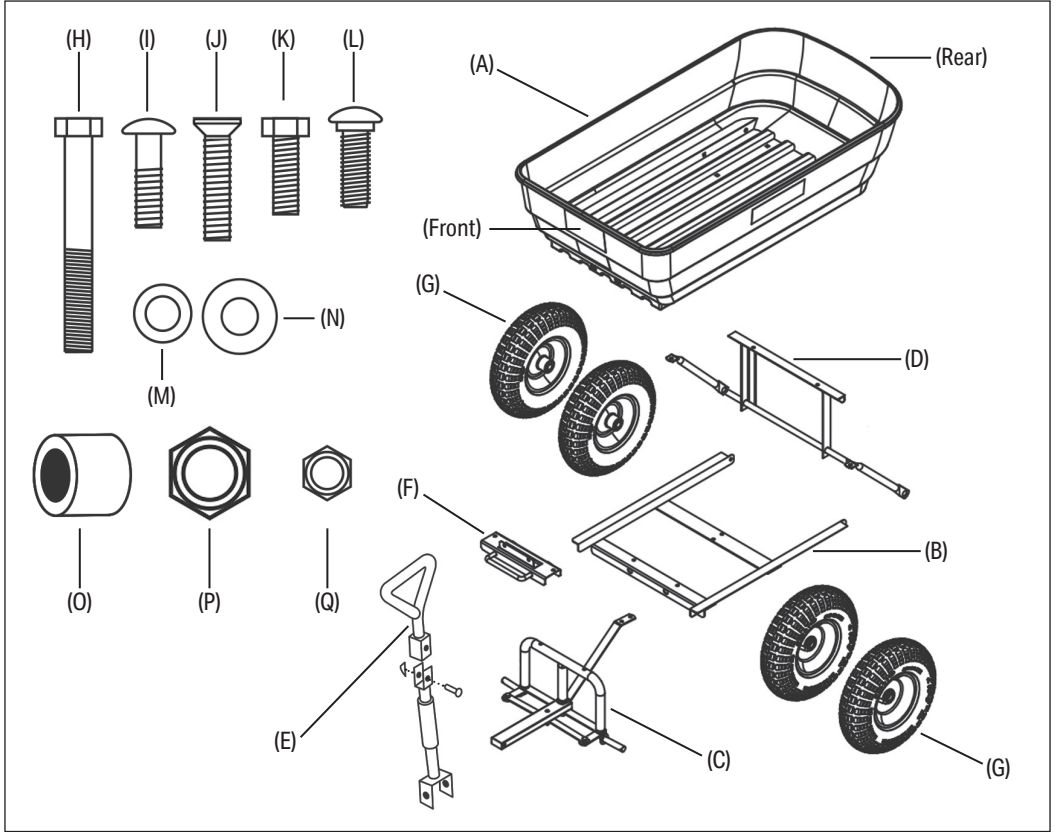
WARNING! Keep packaging materials out of reach of children. Dispose of packaging correctly and responsibly and in accordance with local regulations.

Please visit drapertools.com for our full range of accessories and consumables.

6.3 What's in the Box?

Carefully remove the product from the packaging and examine it for any signs of damage that may have occurred during shipment.

Before assembling the product, lay the contents out and check them against the parts shown below. If any part is damaged or missing, do not attempt to use the product. Please contact the Draper Helpline; contact details can be found at the end of this manual.



- | | | | |
|-----|---|-----|-----------------------------------|
| (A) | 1 x Hopper | (J) | 2 x M8 x 35mm countersunk bolts |
| (B) | 1 x Base frame | (K) | 2 x M8 x 20mm hex bolts |
| (C) | 1 x Front axle assembly | (L) | 10 x M8 x 20mm round-headed bolts |
| (D) | 1 x Rear axle assembly | (M) | 4 x M12 washers |
| (E) | 1 x Handle shaft | (N) | 17 x M8 washers |
| (F) | 1 x Lock assembly | (O) | 4 x M16 x 7mm spacers |
| (G) | 4 x Wheels | (P) | 4 x M12 nylon-insert lock nuts |
| (H) | 1 x M8 x 62mm partial-thread hex bolt | (Q) | 17 x M8 nylon-insert lock nuts |
| (I) | 2 x M8 x 45mm partial-thread round-headed bolts | | |

7. Assembly Instructions

Important: Read and understand all the safety information listed in this manual before assembling this product. Ensure that all fixings are finger-tight ONLY during assembly, then tighten all fixings securely once assembly is complete. **DO NOT** overtighten fixings.

Important: For your comfort and safety, Draper Tools recommends that this product is assembled by two people.

Important: The instructions for this product have been rewritten to improve readability and understanding during assembly. Because of this, the step numbers identified on the hardware (bolts, washers, nuts, etc.) packaging no longer apply. Please read the instructions carefully to ensure you select the correct hardware for each step of the instructions.

7.1 Assembly

1. Attach the rear axle assembly and struts to the hopper - Fig.1:

a. Position the rear axle assembly (D) beneath the rounded end of the hopper and align the holes.

Important: The two moveable struts should extend towards the straight end of the hopper and bend slightly inwards.

b. Pass two M8 x 45mm partial-thread round-headed bolts (I) down through the two holes at the rounded end of the hopper and through the arch of the axle assembly.

c. Secure each bolt in place with an M8 washer (N) and an M8 nylon-insert lock nut (Q).

d. Pass two M8 x 20mm round-headed bolts (L) down through the hopper, base bracket and struts, and secure each bolt in place with an M8 washer (N) and an M8 nylon-insert lock nut (Q).

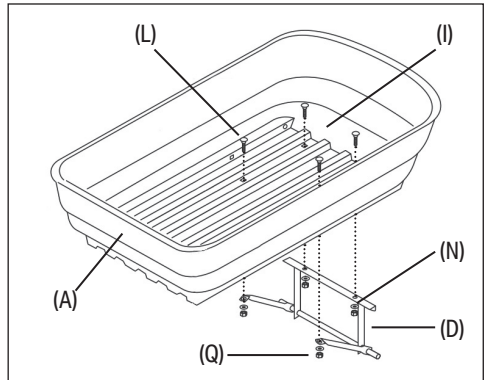


Fig. 1

2. Attach the lock assembly to the hopper - Fig. 2:

a. Position the lock assembly (F) against the rear straight end of the hopper so that the four holes on each align.

b. Pass four M8 x 20mm round-headed bolts (L) outward through the hopper and lock assembly and secure each bolt in place with an M8 washer (N) and an M8 nylon-insert lock nut (Q).

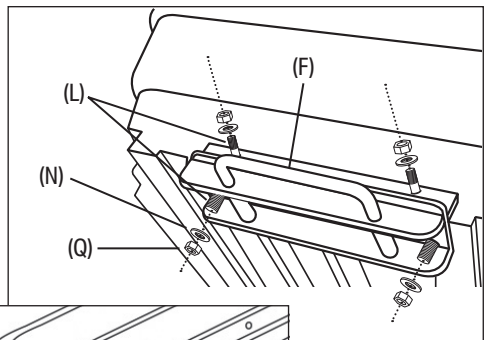
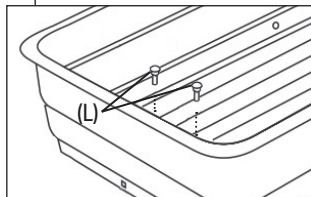


Fig. 2



3. Attach the base frame to the front axle assembly - Fig. 3:

- a. Place the base frame (B) on top of the front axle assembly (C) so that the flat crossbar aligns with the moving arm and the bracketed crossbar wraps around the arch.
- b. Pass two M8 x 35mm countersunk bolts (J) each down through the bracketed crossbar and arch, and secure them in place with an M8 washer (N) and an M8 nylon-insert lock nut (Q).
- c. Pass two M8 x 20mm hex bolts (K) each down through the flat crossbar and moving arm, and secure them in place with an M8 washer (N) and an M8 nylon-insert lock nut (Q).

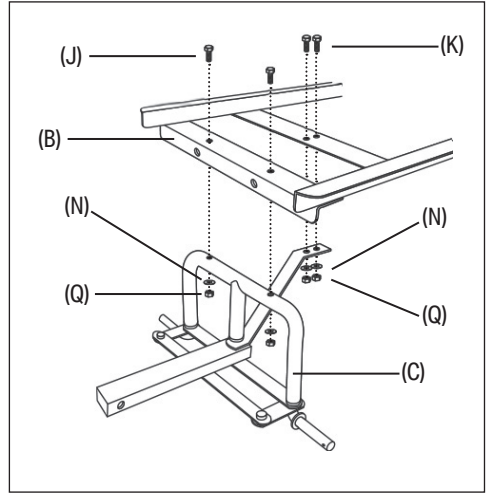


Fig. 3

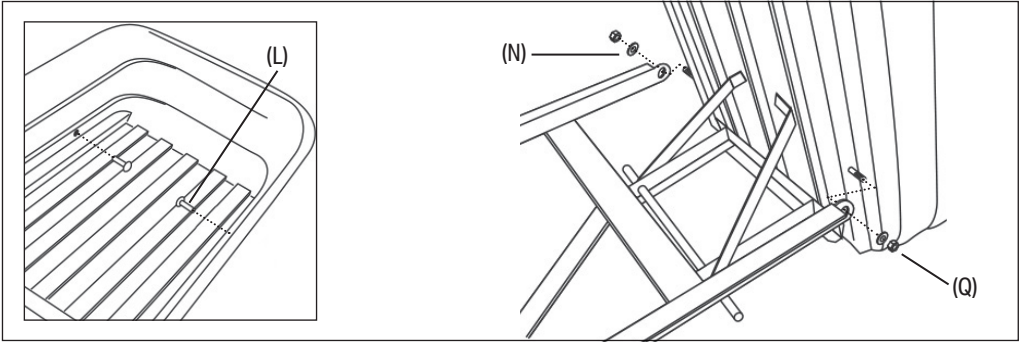


Fig. 4

4. Attach the base frame assembly to the hopper- Fig 4:

- a. Place the brackets of the base frame against the underside of the hopper so that the front axle assembly is beside the lock assembly and the base frame holes align with the base bracket.
- b. Pass two M8 x 20mm round-headed bolts (L) outwards through the sides of hopper, base bracket and base frame assembly and secure each bolt in place with an M8 washer (N) and an M8 nylon-insert lock nut (Q).

- c. If necessary, pull on the lock assembly handle (F) to allow the base frame to fall into place, then release the handle to lock it into position.

5. Attach the wheels - Fig. 5:

- a. Place an M16 x 7mm spacer (O) and then a wheel (G) onto each axle, ensuring that the wheels' axle sockets extend inwards.
- b. Place an M12 washer (M) onto each axle and secure the wheels in place using the four M12 nylon-insert lock nuts (P).

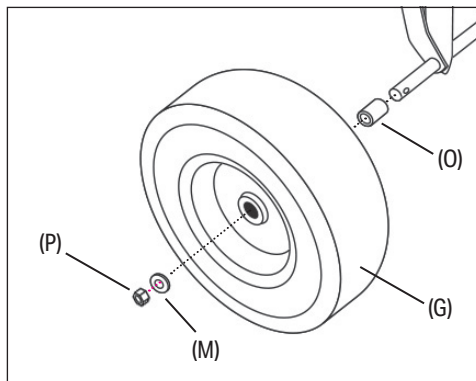


Fig. 5

6. Attach the handle to the cart - Fig. 6:

- a. Place the square bracket of the handle shaft (E) around the forward arm of the front axle assembly.
- b. Pass the M8 x 62mm partial-thread hex bolt (H) through the handle shaft and axle assembly, and secure it in place with an M8 washer (O) and an M8 nylon-insert lock nut (Q).

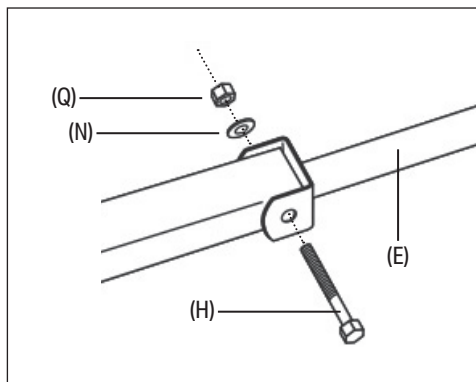


Fig. 6

7. Tighten all fixings securely.

Important: Before using the cart, read and understand all the safety instructions listed in this manual. Ensure that the cart is fully assembled and that all fixings are tightened before tipping the hopper.

8.1 Tipping the Hopper - Fig. 7

To tip the hopper, pull the lock assembly handle (F) and lift the front end of the hopper upwards. When returning the hopper to its original position, pull the lock assembly handle while lowering the hopper into place and release it to lock.

Important: The rear wheels of the cart move slightly during the tipping operation. Ensure that the wheels are not obstructed and that your feet are clear of their path.

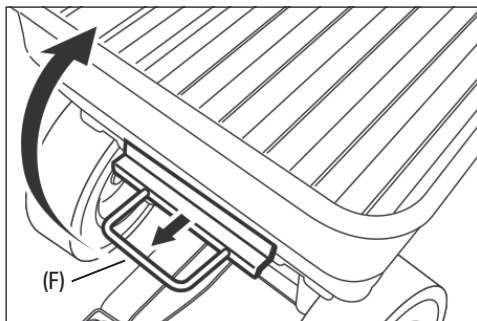


Fig. 7

8.2 The Cart Handle - Fig. 8

The trolley handle can be used to anchor the product by lowering it to the ground.

Important: Take care to avoid creating a trip hazard when the handle is lowered.

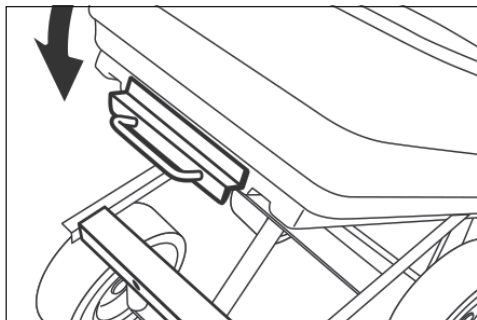


Fig. 8

9. Maintenance and Storage

EN

Important: Read and understand all the safety information listed in this manual before performing any maintenance on this product.

- Keep all moving parts well lubricated to avoid binding.
- Keep the tyres suitably inflated to prevent damage to the wheels, axles and frame of the cart.
 - **DO NOT** inflate the tyres beyond 2.1bar (30psi).

- Keep all fixings and attachments securely tightened to prevent damage during use.
- Draper Tools recommends cleaning and drying the product before storing it for extended periods in order to prevent corrosion of the product frame.
- Store the product in a dry environment, out of direct sunlight and out of reach of children.

10. Spares, Returns and Disposal

EN

For spare parts, servicing, and repair and replacement options, please contact the Draper Tools Product Helpline for details of your nearest authorised agent.

Draper Tools will endeavour to hold any spare parts, if applicable, for seven years from the date that it sells the final matching stock item.

Any servicing or repairs carried out by unauthorised personnel or installation of spare parts not supplied by Draper Tools will invalidate your warranty.

At the end of its working life, dispose of the product responsibly and in line with local regulations. Recycle where possible.

11. Warranty

EN

Draper Tools products are guaranteed for {12months} to be free from defective materials and workmanship. Full details of the warranty period can be found on the Draper Tools Website.

Should the tool develop a fault within the warranty period, return the complete tool to the place of purchase or contact Draper Tools directly. Proof of purchase must be provided.

This warranty does not apply to any consumable parts or normal wear and tear.

It also does not cover any damage caused by misuse, careless or unsafe handling, modifications, or repairs carried out by any personnel other than an authorised Draper Tools repair agent.

Please note that this guarantee is in addition to and does not affect your statutory rights.

Draper Tools Limited

Contact Details

Draper Tools

Draper Tools Limited
Hursley Road
Chandler's Ford
Eastleigh
Hampshire
SO53 1YF
UK

Website: drapertools.com

Email: sales@drapertools.com

Product Helpline: +44 (0) 23 8049 4344

Telephone Sales Desk: +44 (0) 23 8049 4333

General Enquiries: +44 (0) 23 8026 6355

General Fax: +44 (0) 23 8026 0784

Delta International

Delta International BV
Oude Graaf 8
6002 NL
Weert
Netherlands

Please contact the Draper Tools Product Helpline for repair and servicing enquiries.