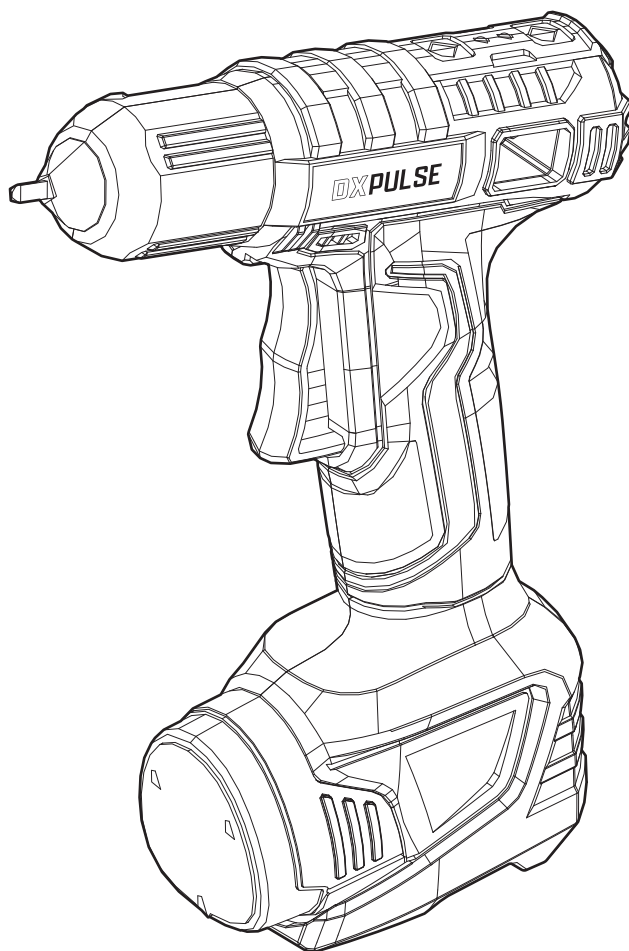


# DX PULSE

EN  
Original Instructions  
Version 1 – 12/2025

## 12V GLUE GUN

31795



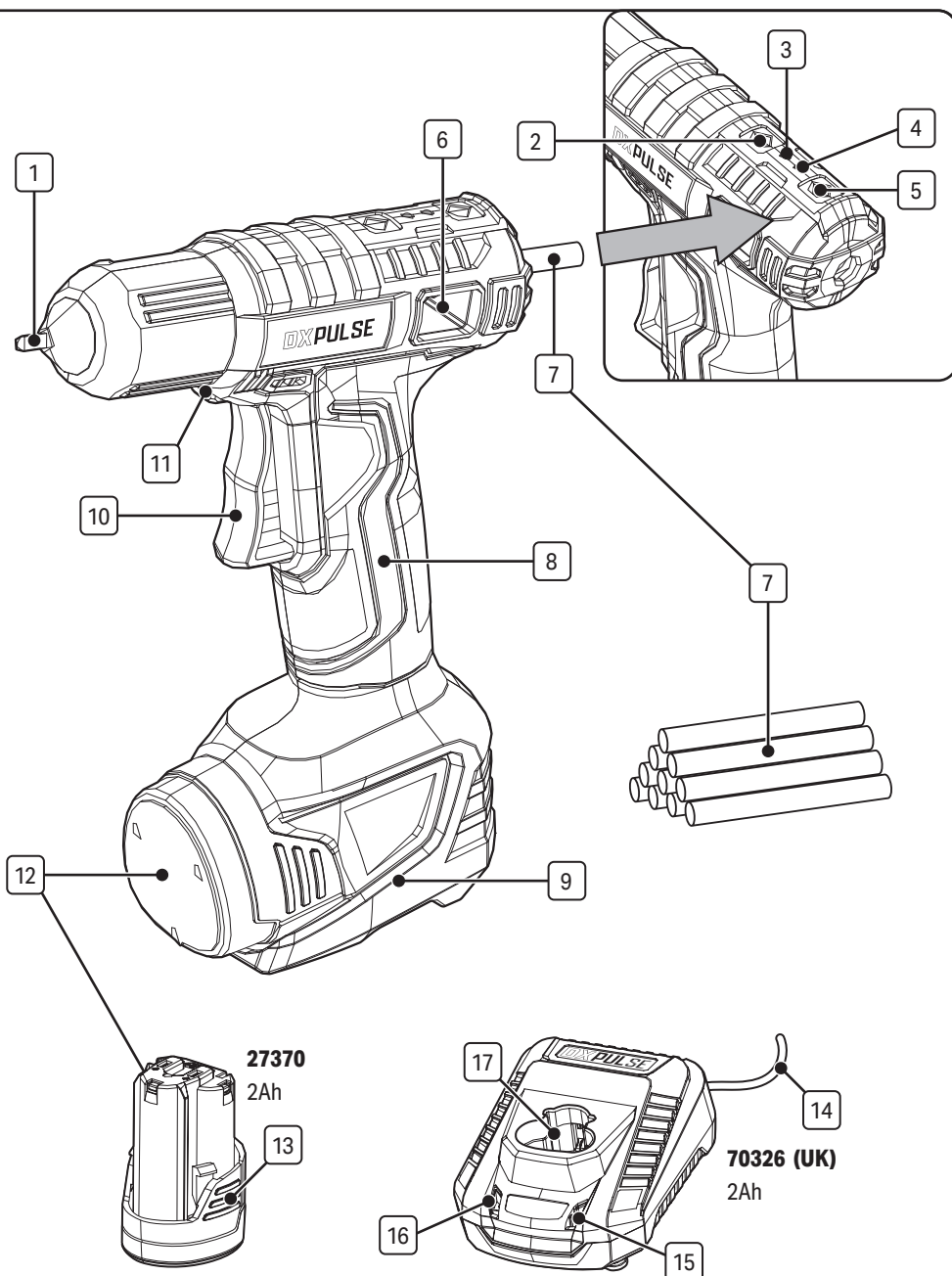
## EN Contents

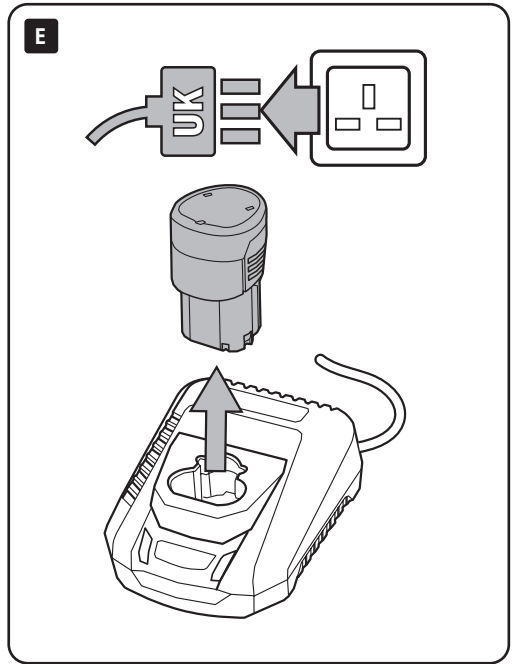
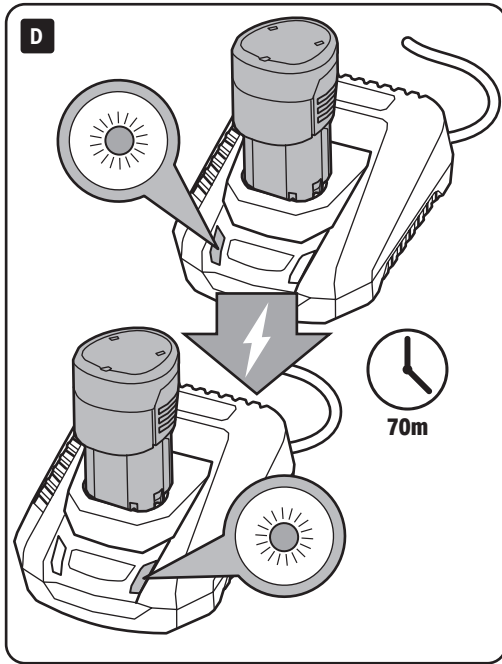
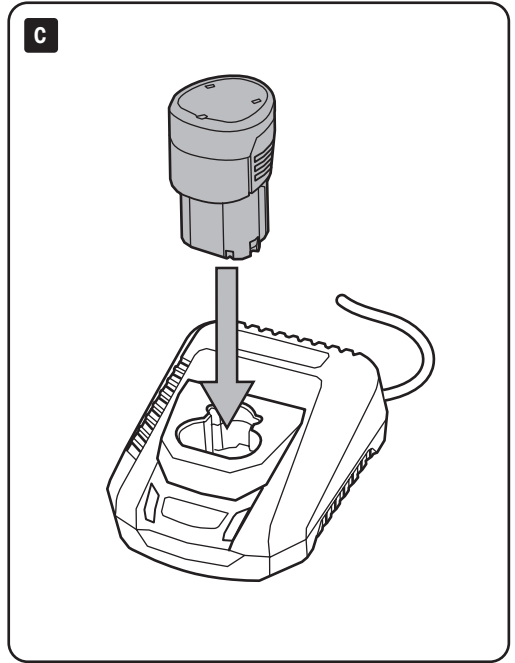
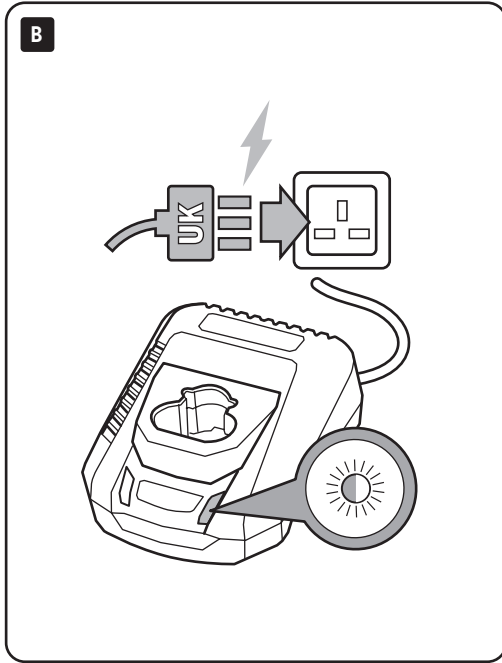
---

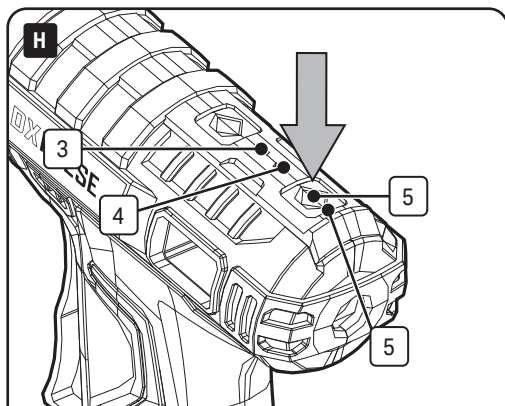
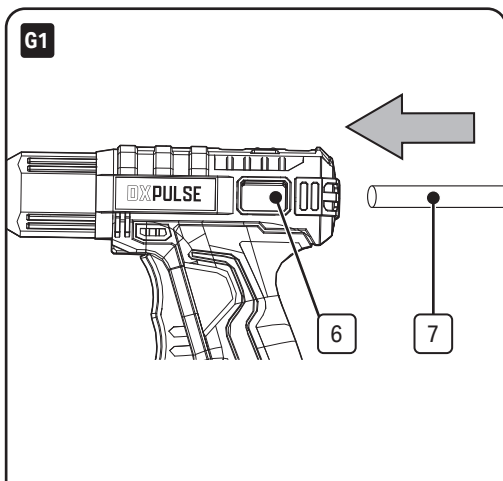
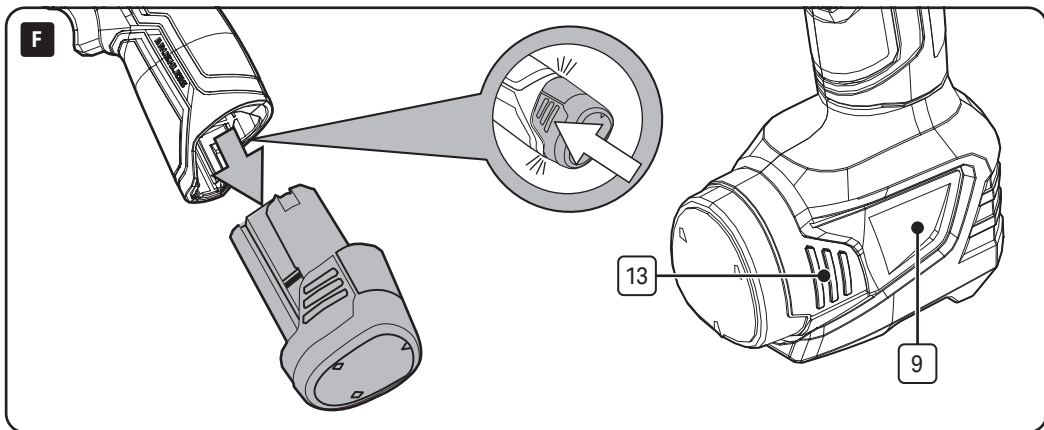
|           |   |            |
|-----------|---|------------|
| <b>EN</b> | <b>Identification and Unpacking</b>   | <b>3</b>   |
| <b>EN</b> | <b>Battery Charging and Usage</b>   | <b>4-6</b> |
| <b>EN</b> | <b>1. Intended Use</b>  | <b>7</b>   |
| <b>EN</b> | <b>2. Specification</b>   | <b>7</b>   |
|           | <b>2.1 Product Specification</b>  | <b>7</b>   |
| <b>EN</b> | <b>3. Health and Safety Information</b>   | <b>8</b>   |
|           | <b>3.1 General Health &amp; Safety Precautions</b>                                | <b>8</b>   |
|           | <b>3.2 Additional Safety Warnings for<br/>Glue Guns</b>                           | <b>8</b>   |
|           | <b>3.3 Safety instructions for Mains<br/>Powered Chargers &amp; Battery Packs</b> | <b>9</b>   |
|           | <b>3.4 Connection to the Power Supply<br/>(Charger)</b>                           | <b>10</b>  |
|           | <b>3.5 Residual Risk</b>  | <b>10</b>  |
| <b>EN</b> | <b>4. Product Overview</b>  | <b>11</b>  |
| <b>EN</b> | <b>5. Preparation</b>   | <b>11</b>  |
|           | <b>5.1 Charging the Battery</b>   | <b>11</b>  |
|           | <b>5.2 Fitting Battery to Glue Gun</b>  | <b>11</b>  |
|           | <b>5.3 Inserting a Glue Stick</b>   | <b>11</b>  |
| <b>EN</b> | <b>6. Operation</b>   | <b>11</b>  |
|           | <b>6.1 Switching ON and OFF</b>   | <b>11</b>  |
|           | <b>6.2 Using the Glue Gun</b>   | <b>11</b>  |
|           | <b>6.3 Worklight Operation</b>  | <b>11</b>  |
|           | <b>6.4 Removing Battery for Charging</b>  | <b>11</b>  |
| <b>EN</b> | <b>7. Maintenance, Storage and Disposal</b>                                       | <b>11</b>  |
| <b>EN</b> | <b>8. Warranty</b>  | <b>12</b>  |
| <b>EN</b> | <b>9. Symbols</b>   | <b>12</b>  |

# EN Identification and Unpacking

A

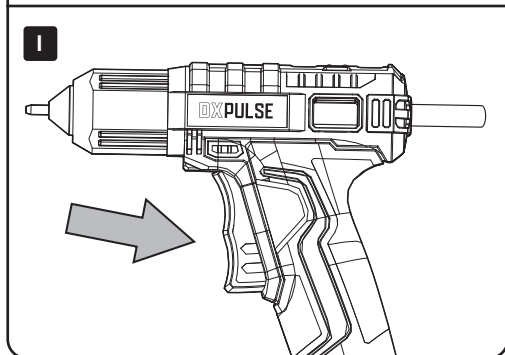
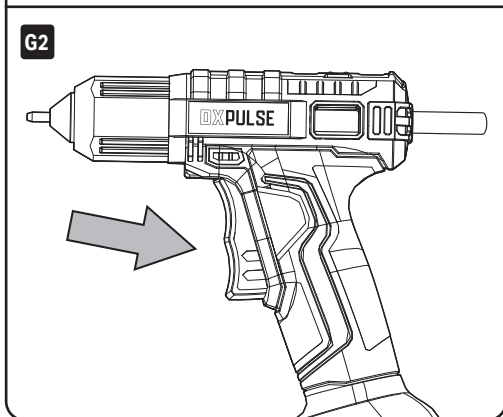


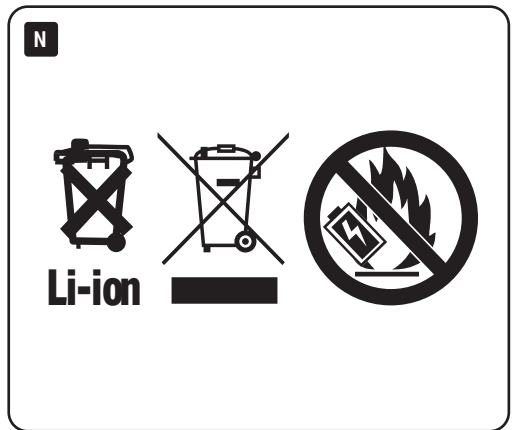
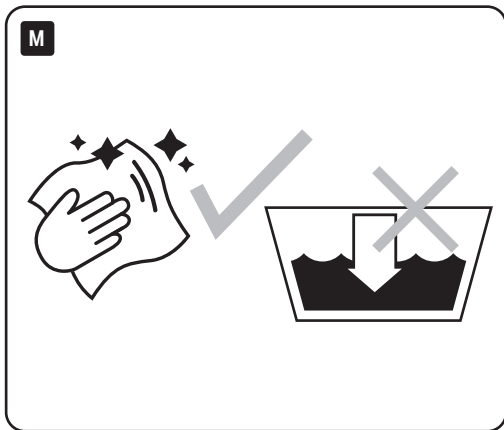
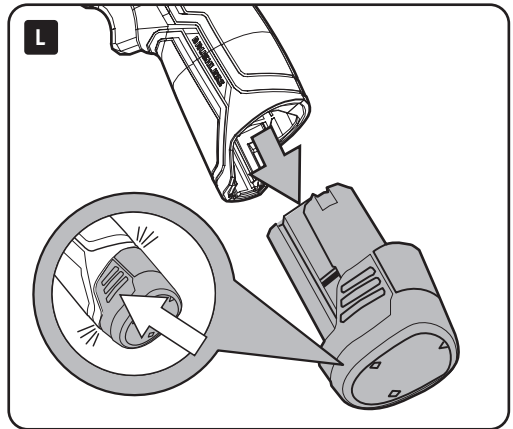
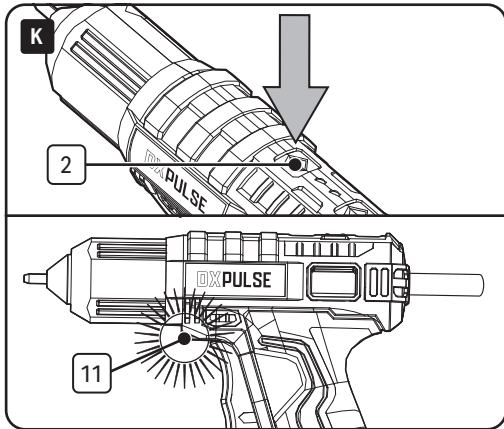
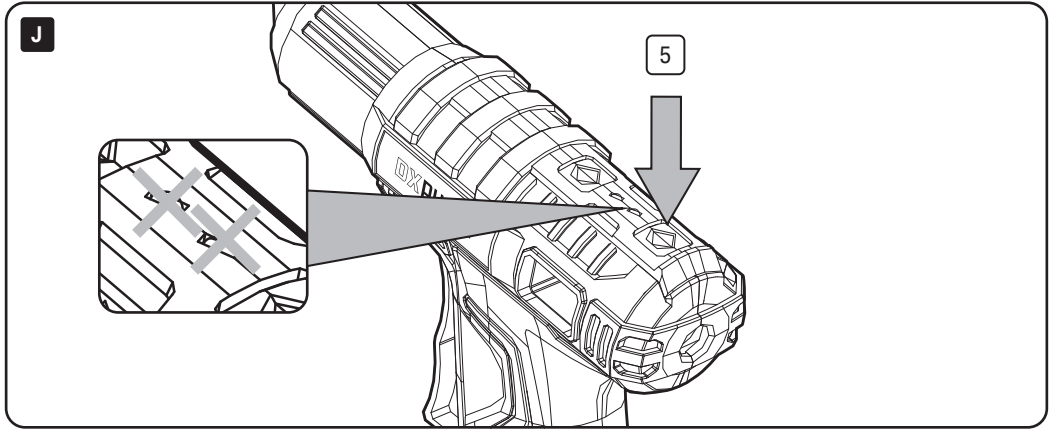




15 secs

= Lights 3 & 4 are blue.





## EN 1. Intended Use

This product is designed for gluing materials such as paper, cardboard, plastics, cork, wood, leather, textiles, ceramic, porcelain, metal glass and stone.

Any other application beyond the conditions established for use will be considered misuse. Draper Tools accepts no responsibility for improper use of this product.

Read this manual in full before using this product and retain it for future use. Always use the latest version of the manual.

Please visit [drapertools.com/manuals](http://drapertools.com/manuals) for the latest version.

## EN 2. Specification

### 2.1 Product Specification

|  |                |
|--|----------------|
| <b>Stock No.</b>                           | <b>31795</b>   |
| <b>Rated Voltage:</b>                      | 12V DC         |
| <b>Glue Sticks Size:</b>                   |                |
| Diameter:                                  | 7mm            |
| Length:                                    | 100mm          |
| <b>Heat Up Time:</b>                       | 15 -20 seconds |
| <b>Nozzle Diameter:</b>                    | 1.2mm          |
| <b>Maximum Temperature:</b>                | 160°C          |
| <b>Operating Time (approx.):</b>           | 42mins         |
| <b>Auto Switch Off:</b>                    | 5 ½ mins       |
| <b>Net Weight (tool &amp; battery):</b>    | 460g           |
| <b>Battery Pack (available separately)</b> |                |
| <b>Stock No.</b>                           | <b>27370</b>   |
| <b>Part No.</b>                            | <b>122AH</b>   |
| <b>Type:</b>                               | Li-ion         |
| <b>Rating</b>                              | 2Ah            |
| <b>Rated Voltage</b>                       | 12V            |
| <b>Charger (available separately)</b>      |                |
| <b>Stock No.</b>                           | <b>70326</b>   |
| <b>Part No.</b>                            | <b>C12VDLI</b> |
| <b>Rated Voltage</b>                       | 230V/50Hz      |
| <b>Rated DC Output</b>                     |                |
| Voltage                                    | 12V            |
| Current                                    | 2A             |
| <b>Protective Device Rated Current</b>     | 3.15A          |
| <b>Construction</b>                        | Class II       |
| <b>Charging Temperature</b>                | 0 - 45°C       |
| <b>Charging Time (approx.)</b>             |                |
| 2A Battery                                 | 70mins         |

## EN 3. Health and Safety Information



**WARNING!** Read all safety warnings, instructions, illustrations and specifications provided with this tool. Failure to follow all instructions listed below may result in electric shock, fire and/or serious injury.

Save all warnings and instructions for future reference.

### 3.1 General Health & Safety Precautions

- **ALWAYS** take care when using this tool.
- **Keep work area clean and well lit.**
  - Cluttered or dark areas invite accidents.
- **DO NOT expose the tool to rain or wet conditions.**
  - Water entering the tool will increase the risk of electric shock.
- **DO NOT immerse the tool in water.**
- **ONLY use the tool in daylight or good artificial light.**
- **DO NOT operate power tools in explosive atmospheres, such as in the presence of flammable liquids, gases or dust.**
  - Power tools create sparks which may ignite the dust or fumes.
- **DO NOT use as a toy.**
- **Keep children and bystanders away while operating the tool.**
  - Distractions can cause you to lose control.

### Power Tool Use and Care

- **DO NOT use the tool if the switch does not turn it on and off.**
  - Any tool that cannot be controlled with the switch is dangerous and must be repaired.
- **Disconnect the plug from the power source and/or remove the battery pack, if detachable, from the tool, before making any adjustments, changing accessories or storing the tool.**
  - Such preventive safety measures reduce the risk of starting the tool accidentally.
- **DO NOT use if any part of the tool is damaged or defective.**

### Service

- **DO NOT open the body casing as there are no serviceable parts.**
- **Have your tool serviced by a qualified repair person using only identical replacement parts.**
  - This will ensure that the safety of the power tool is maintained.
- **Have any damaged or defective parts repaired or replaced by an authorised repair agent.**

- **NEVER service damaged battery packs.**
  - Service of battery packs should only be performed by the manufacturer or authorised service providers.

### Battery Tool Use and Care

- **Recharge only with the charger specified by the manufacturer.**
  - A charger that is suitable for one type of battery pack may create a risk of fire when used with another battery pack.
- **Use tools only with specifically designated battery packs.**
  - Use of any other battery packs may create a risk of injury and fire.
- **When battery pack is not in use, keep it away from other metal objects, like paper clips, coins, keys, nails, screws or other small metal objects, that can make a connection from one terminal to another.**
  - Shorting the battery terminals together may cause burns or a fire.
- **ALWAYS switch off the tool and remove the battery before changing accessories or adjusting the tool.**
- **DO NOT use a battery pack or tool that is damaged or modified.**
  - Damaged or modified batteries may exhibit unpredictable behaviour resulting in fire, explosion or risk of injury.
- **DO NOT expose a battery pack or tool to fire or excessive temperature.**
  - Exposure to fire or temperature above 130 °C may cause explosion.
- **Follow all charging instructions and DO NOT charge the battery pack outside the temperature range specified in the instructions.**
  - Charging improperly or at temperatures outside the specified range may damage the battery and increase the risk of fire.
- **If the tool is operated continuously until the battery pack has discharged, allow the tool to rest for 15 minutes before continuing with a fresh battery.**



**CAUTION!** DO NOT look directly into the work light.

### 3.2 Additional Safety Warnings for Glue Guns

- Take care when using the glue gun in places where there are combustible materials.
- **DO NOT** apply glue to the same place for a long time.
- **DO NOT** use in presence of an explosive atmosphere.
- Be aware that heat may be conducted to combustible materials that are out of sight.
- Allow the glue gun to cool down before storage.

- **DO NOT** leave the glue gun unattended when it is switched on.
- **DO NOT** touch the heated nozzle. The operating temperature of this tool is approximately 160°C.
- Keep hands away from the heated nozzle and work piece.
- Use clamps or pliers to hold the work piece.
- The heating element will begin to heat up as soon as the gun is switched on.
- Protect the work surface and materials from heat damage. Heat may be conducted through the work piece. Use a heat-resistant material to protect the work surface.
- **DO NOT** ingest the glue sticks. If swallowed, seek medical attention. Keep out of the reach of children.
- Before cleaning, remove the battery from the tool and allow it to cool.
- **NEVER** attempt to force cool the gun after use by immersing any part of it in water or any other liquid. Allow the tool to air cool only.
- **Keep the tool away from all flammable material.** Be aware that this product may ignite material.
- **NEVER** leave the glue gun unattended. After use, remove the battery from the tool, allow it to cool and store it in a safe place out of the reach of children.
- **Fumes resulting from heating materials for craft activities may be hazardous. ALWAYS** work in a well-ventilated area. Seek advice on the materials being used.
- **NEVER** attempt to insert any material other than the recommended glue sticks in the glue gun. **For example: DO NOT** attempt to melt crayons or candles.
- **DO NOT** use hot melt glue to take the place of structural fasteners.
- The glue sticks used with this gun will begin to soften at approximately 60°C. **DO NOT** use the glue on objects or materials that are subjected to heat.
- **AVOID** accidental glue discharge.

 **CAUTION! The nozzle area and the melted glue will remain hot even after the tool is turned off and the battery is removed/ Allow the glue gun to cool for at least 30minutes before storing.**

- **DO NOT** force glue sticks into the chamber when unheated as this may damage the gun or cause hot glue to be unexpectedly expelled from nozzle when the operating temperature is achieved. Glue may discharge from a heated tool without the trigger being pressed.
- Keep out of the reach of children.

- This glue gun can be used by children aged from 8 years and above and persons with reduced physical, sensory or mental capabilities or lack of experience and knowledge if they have been given supervision or instruction concerning use of the tool in a safe way and understand the hazards involved. Children shall not play with the tool. Cleaning and user maintenance shall not be done by children without supervision.
- Children should be supervised to ensure that they do not play with the glue gun.

### 3.3 Safety instructions for Mains Powered Chargers & Battery Packs

- Before using the battery pack or charger, read all instructions and cautionary markings on the battery, charger and the product using the battery.

#### Chargers

- The charger is for indoor use only. **DO NOT** expose to rain.
- Prior to plugging the charger in to the supply, check that the plug, cord and charger casing are in good condition. If any are damaged, have the defective part(s) replaced immediately by a suitably qualified person.
- Only use a correctly rated mains outlet to provide power, **DO NOT** plug into site generators, attach to engine generators or D.C. sources. **DO NOT** use a mains socket outlet that is not switched.
- Use the correct Draper charger in conjunction with its corresponding battery pack (Visit [drapertools.com](http://drapertools.com) for more information).
- The charger must be disconnected from the power supply before removing the battery.
- **DO NOT** charge any other batteries with Draper chargers. Any other application is considered misuse.
- **DO NOT** attempt to charge non-rechargeable batteries
- **DO NOT** attempt to charge battery packs that are too hot (over 45°C) or too cold (under 5°C), if these conditions apply set the battery pack aside to "normalise" before proceeding with the charging operation.
- Set up the charger and cord in a safe place where they will not be knocked, tripped over, stepped on, etc. and where it is well ventilated. Make sure the ventilation slots in the charger case are not obstructed.

- Switch the charger on and check that the correct indicators illuminate, allow the battery pack to charge. Once charging is complete, switch the charger off, disconnect from power supply, remove the battery pack and store.

### Battery Packs

- Only use Draper recommended battery packs with this tool.
- Inspect the battery pack for damage, if it is undamaged, plug it into the charger, ensuring the correct orientation.
- **DO NOT** short the battery pack:
  - **DO NOT** touch the terminals with any conductive material.
  - **AVOID** storing battery pack in a container with other metal objects such as nails, coins, etc.
  - **DO NOT** expose battery pack to water or rain.
- The battery must be removed from the tool before it is recycled.
- The battery is to be disposed of in-line with local authority procedures.
- **DO NOT** crush, open or burn the battery. Exposure to potentially harmful materials may occur.
- In case of fire use CO<sup>2</sup> or dry chemical extinguisher.
- **DO NOT** expose to high temperatures >50°C. The battery may degrade at high temperatures.
- Charge battery in conditions between 5°C to 45°C with the designated charger for the battery.
- **DO NOT** use battery if it has been stored at 5°C or less. Allow it to "normalise" at room temperature before usage/charging.



#### **WARNING! – Leaking battery packs**

- The electrolyte in battery packs is corrosive. Avoid contact with the skin.
- If contact is made, flush the area with clean water, pat dry and seek medical attention at the earliest opportunity.
- If electrolyte comes into contact with the eyes, flush with plenty of water only. Seek immediate medical attention.

### 3.4 Connection to the Power Supply (Charger)

#### UK only



#### **CAUTION! Risk of electric shock. DO NOT open.**

This appliance is supplied with an approved plug and cord for your safety.

If the power supply cord is damaged, it must be replaced by Draper Tools, an authorised service agent or similarly qualified personnel in order to avoid a hazard.

The damaged or incomplete plug, when cut from the cord, shall be disabled to prevent connection to a live electrical outlet.


This appliance is Class II<sup>†</sup> and is designed for connection to a power supply matching that detailed on the rating label and compatible with the plug fitted.

The value of the fuse fitted is marked on the pin face of the plug. Should the fuse need replacing, use a small plain-slot screwdriver to remove the fuse cover. Ensure the substitute is of the correct rating, approved to BS1362 and ASTA or BS Kite marked. This should only be performed by suitably qualified personnel.

ASTA 

BSI 

**Important:** If an extension lead is required, use an approved and compatible lead rated for this appliance. Unwind the entire cable and follow all the instructions supplied with the extension lead.

<sup>†</sup>Double insulated : This product requires no earth connection as supplementary insulation is applied to the basic insulation to protect against electric shock in the event of failure of the basic insulation.

### 3.5 Residual Risk

The safety instructions in this manual cannot account for all possible conditions and situations that may occur. Exercise common sense and caution when using this product and protect against any additional conceivable risks.

## EN 4. Product Overview

**A**

- 1 Nozzle
- 2 Work light button
- 3 'Heat up' indicator light (Red)
- 4 'ON' indicator light (Blue)
- 5 ON/OFF button
- 6 Glue stick chamber
- 7 Glue stick (10 supplied)
- 8 Handle
- 9 Battery compartment
- 10 Trigger switch
- 11 Work light

### DX12 Battery

- 12 Battery
- 13 2 X Battery release tab

## DX12 Charger

- 14 Cord and plug
- 15 Green charging indicator light
- 16 Red charging indicator light
- 17 Battery charging port

Please visit [drapertools.com](http://drapertools.com) for our full range of DX12 batteries, chargers, accessories and consumables.

## EN 5. Preparation

### 5.1 Charging the Battery

**B - E**

- Fully charge before first use.
- Ensure the battery is fully insert correctly into the charger.
- **ALWAYS** unplug the charger after use.

| Status   | Lights   |          |
|--|----------|----------|
|  | Green    | Red      |
| Charger plugged in                                 | Flashing | OFF      |
| Battery charging                                   | OFF      | ON       |
| Battery fully charged                              | ON       | OFF      |
| Battery too hot/<br>Battery not inserted correctly | Flashing | Flashing |

### 5.2 Fitting Battery to Glue Gun

**F**

### 5.3 Inserting a Glue Stick

**G**

1. Insert the glue stick (7) into the chamber (6), then lightly squeeze the trigger (10) to secure in position. Only use the correct size glue sticks recommended by Draper Tools.
- **DO NOT** attempt to remove an unused portion of a glue stick from the tool.
  - On first use the glue stick must be completely inserted into the chamber.

## EN 6. Operation

### 6.1 Switching ON and OFF

**H - I**

1. Press the **ON/OFF** button (5) and both lights (3) and (4) will come on.
2. Wait for approximately 15seconds and the red light (3) will change to blue.
3. Then squeeze the trigger (10) to operate.

## To switch off

**J**

- Press and hold the **ON/OFF** button (5) for 5 seconds.

### 6.2 Using the Glue Gun

1. Turn on the glue gun and wait 15 seconds until both indicator lights (3) & (4) are blue.
2. Apply the glue by squeezing the trigger (10).
3. To glue objects together, apply the glue to one object, then press and hold the second object into the melted glue.
4. Hold together for 5 – 10 seconds. Heavy applications may require up to a minute for the glue to reach full strength.

### 6.3 Worklight Operation

**K**

### 6.4 Removing Battery for Charging

**I**

## EN 7. Maintenance, Storage and Disposal

**M - N**

**Important: ALWAYS** ensure the tool is turned off and the battery pack is removed from the tool and allow to cool down before carrying out any cleaning, servicing or maintenance.

- **DO NOT** use solvents or abrasives to clean the tool.
- Keep the ventilation slots clean free from debris.
- Store the tool in a safe dry area, out of the reach of children.
- At the end of its working life, dispose of the product responsibly and in line with local regulations. Recycle where possible.
- **DO NOT** dispose of this product with domestic waste; most local authorities provide appropriate recycling facilities.



- **DO NOT** incinerate.
- **DO NOT** burn or mutilate batteries; this may release toxic or corrosive substances.



- **DO NOT** short circuit cells, may cause burns.
- The battery pack must be removed from the tool before it is scrapped and disposed of safely.
- **DO NOT** dispose of batteries in a charged condition.
- Expired batteries must be recycled/disposed of in accordance with the appropriate regulation or legislation. They should be returned to your local warranty agent/stockist.

## EN 8. Warranty

---

12 months from date of purchase –  
Visit [drapertools.com/warranty](http://drapertools.com/warranty) for more information.

## EN 9. Symbols

---



**Warning!**



Read the instruction manual



Do not incinerate or throw onto fire



For indoor use only. Do not expose to rain



Class II construction (double insulated)



WEEE – Waste Electrical & Electronic Equipment

Do not dispose of Waste Electrical & Electronic Equipment  
in with domestic rubbish



Li-ion Battery



UK Conformity Assessed



European Conformity







## Contact Details

**DX PULSE**

Draper Tools  
Hursley Road  
Chandler's Ford  
Eastleigh  
Hampshire  
SO53 1YF  
UK

Draper Tools Europe B.V  
Oude Graaf 8  
6002 NL  
Weert  
Netherlands

**Website:** [drapertools.com](http://drapertools.com)

**Email:** [sales@drapertools.com](mailto:sales@drapertools.com)

**Product Helpline:** +44 (0) 23 8049 4344

**Telephone Sales Desk:** +44 (0) 23 8049 4333

**General Enquiries:** +44 (0) 23 8026 6355

Please contact the Helpline for repair and servicing enquiries.

© DX PULSE Published by Draper Tools Limited