

**DRAPER**

**EN**

Original Instructions  
Version 1  
January 2026

POLE

# HEDGE TRIMMER

**30290**



**UK  
CA** **CE**

# 1. Preface

---

**These are the original product instructions. Read the instruction manual in full and retain for future reference.**

Please visit [drapertools.com/manuals](http://drapertools.com/manuals) for the latest version of this manual and the associated parts list, if applicable.

## 1.1 Product Reference

**User Manual for:** Pole Hedge Trimmer

**Stock No:** 30290

**Part No:** GDAC05

## 1.2 Revisions

**Version 1:** January 2026

## 1.3 Understanding the Safety Content of This Manual



**WARNING!** – Situations or actions that may result in personal injury or death.



**CAUTION!** – Situations or actions that may result in damage to the product or surroundings.

**Important:** – Information or instructions of particular importance.

## 1.4 Copyright © Notice

Copyright © Draper Tools Limited.

Permission is granted to reproduce this manual for personal and educational use **ONLY**. Commercial copying, redistribution, hiring or lending is strictly prohibited.

No part of this manual may be stored in a retrieval system or transmitted in any other form or means without written permission from Draper Tools Limited.

In all cases, this copyright notice must remain intact.

<b>1. Preface</b>	<b>2</b>	<b>8. Maintenance and Troubleshooting</b>	<b>12</b>
1.1 Product Reference	2	8.1 General Maintenance	12
1.2 Revisions	2	8.2 Troubleshooting	12
1.3 Understanding the Safety Content of This Manual	2	<b>9. Spares, Returns and Disposal</b>	<b>13</b>
1.4 Copyright © Notice	2	<b>10. Warranty</b>	<b>13</b>
<b>2. Contents</b>	<b>3</b>	<b>11. Explanation of Symbols</b>	<b>14</b>
<b>3. Product Introduction</b>	<b>4</b>	<b>Notes</b>	<b>15</b>
3.1 Intended Use	4		
3.2 Specification	4		
<b>4. Health and Safety Information</b>	<b>5</b>		
4.1 General Health and Safety Precautions	5		
4.2 Specific Health and Safety Warnings for Hedge Trimmers	6		
4.3 Specific Health and Safety Warnings for Pole Hedge Trimmers	7		
4.4 Additional Safety Instructions for Hedge Trimmers	7		
4.5 Connection to the Power Supply	8		
4.6 Residual Risk	8		
<b>5. Identification and Unpacking</b>	<b>9</b>		
5.1 Product Overview	9		
5.2 Packaging	9		
<b>6. Assembling Instructions</b>	<b>10</b>		
6.1 Fitting the Telescopic Pole (Fig.1 – Fig.2)	10		
6.2 Adjusting the Telescopic Pole Length (Fig.3)	10		
6.3 Fitting the Shoulder Strap (Fig.4)	10		
<b>7. Operating Instructions</b>	<b>11</b>		
7.1 Connecting the Trimmer Cord to the Extension Cord	11		
7.2 Holding the Hedge Trimmer	11		
7.3 ON/OFF Switch (Fig.5)	11		
7.4 Adjusting the Cutting Head Angle (Fig.6)	11		

# 3. Product Introduction

## 3.1 Intended Use

This product is designed to cut and trim hedges, bushes and ornamental shrubs.

Any other application beyond the conditions established for use will be considered misuse. Draper Tools accepts no responsibility for improper use of this product.

This product is intended for domestic and infrequent light-duty trade use.

Read this manual in full before using this product and retain it for future use. Always use the latest version of the manual. Please visit [drapertools.com/manuals](http://drapertools.com/manuals) for the latest version.

## 3.2 Specification

<b>Stock No.:</b>	<b>30290</b>
<b>Part No.:</b>	<b>GDAC05</b>
<b>Rated voltage:</b>	230 – 240V/50Hz
<b>Rated input:</b>	500W
<b>Speed (no load):</b>	1,500rpm
<b>Hedge Trimmer Attachment:</b>	
Cutting length:	410mm
Cutting width:	18mm
Pole extension (max.):	2.6M
<b>Noise emissions:</b>	
Sound pressure level:	83DB(A)
Uncertainty:	3dB (A)
Sound power level:	95.4 dB (A)
Uncertainty (K):	2.2dB (A)
Guaranteed sound power:	98dB (A)
<b>Vibration levels:</b>	
Front handle:	4.69m/s <sup>2</sup>
Rear handle:	4.11m/s <sup>2</sup>
Uncertainty (K):	1.5m/s <sup>2</sup>
<b>Protection class:</b>	II
<b>Product Cords:</b>	
Tool cord:	0.35M
Extension cord Length (approx.):	7M
<b>Net weight:</b>	3.3kg
<b>Product length (approx.):</b>	2.7M

**Important:** The declared noise emissions values have been measured in accordance with a standard test method and may be used for comparing one tool with another. These values may also be used in a preliminary assessment of exposure.



**WARNING!** The noise emissions during actual use of the product can differ from the declared values depending on the type of work and the area upon which it is used. Before each use, estimate the likely exposure resulting from the actual conditions of use. Take into account all parts of the operation cycle in order to identify any safety measures required to protect the operator.

## 4.1 General Health and Safety Precautions



**WARNING!** Read all safety warnings, instructions, illustrations and specifications provided with this garden power tool. Failure to follow all instructions listed below may result in electric shock, fire and/or serious injury.

Save all warnings and instructions for future reference.

The term 'power tool' in the warnings refers to your mains-operated (corded) power tool or battery-operated (cordless) power tool.

### Work Area Safety

- **Keep work area clean and well lit.**
  - Cluttered or dark areas invite accidents.
- **DO NOT operate the power tool in explosive atmospheres, such as in the presence of flammable liquids, gases or dust.**
  - Power tools create sparks which may ignite the dust or fumes.
- **Keep children and bystanders away while operating a power tool.**
  - Distractions can cause you to lose control.

### Electrical Safety

- **Power tool plugs must match the outlet. NEVER modify the plug in any way. DO NOT use any adapter plugs with earthed (grounded) power tools.**
  - Unmodified plugs and matching outlets will reduce risk of electric shock.
- Avoid body contact with earthed or grounded surfaces, such as pipes, radiators, ranges and refrigerators.
  - There is an increased risk of electric shock if your body is earthed or grounded.
- **DO NOT** expose power tools to rain or wet conditions.
  - Water entering a power tool will increase the risk of electric shock.
- **DO NOT** abuse the cord. **NEVER** use the cord for carrying, pulling or unplugging the power tool. Keep cord away from heat, oil, sharp edges or moving parts.
  - Damaged or entangled cords increase the risk of electric shock.
- **When operating a power tool, outdoors, use an extension cord suitable for outdoor use.**

- Use of a cord suitable for outdoor use reduces the risk of electric shock.
- **If operating a power tool in a damp location is unavoidable, use a residual current device (RCD) protected supply.**
  - Use of an RCD reduces the risk of electric shock.

### Personal Safety

- **Stay alert, watch what you are doing and use common sense when operating a power tool. DO NOT use a power tool while you are tired or under the influence of drugs, alcohol or medication.**
  - A moment of inattention while operating power tools may result in serious personal injury.
- Use personal protective equipment. Always wear eye protection.
  - Protective equipment such as a dust mask, non-skid safety shoes, hard hat or hearing protection used for appropriate conditions will reduce personal injuries.
- Prevent unintentional starting. Ensure the switch is in the 'OFF' position before connecting to power source, picking up or carrying the tool.
  - Carrying power tools with your finger on the switch or energising power tools that have the switch on invites accidents.
- **Remove any adjusting key or wrench before turning the power tool on.**
  - A wrench or a key left attached to a rotating part of the power tool may result in personal injury.
- **DO NOT overreach. Keep proper footing and balance at all times.**
  - This enables better control of the power tool in unexpected situations.
- **Dress properly. DO NOT wear loose clothing or jewellery. Keep your hair, clothing and gloves away from moving parts.**
  - Loose clothes, jewellery or long hair can be caught in moving parts.
- **If devices are provided for the connection of dust extraction and collection facilities, ensure these are connected and properly used.**
  - Use of dust collection can reduce dust-related hazards.

## 4. Health and Safety Information

---

- **DO NOT** let familiarity gained from frequent use of tools allow you to become complacent and ignore tool safety principles.
  - A careless action can cause severe injury within a fraction of a second.

### Power Tool Use and Care

- **DO NOT** force the power tool. Use the correct power tool for your application.
  - The correct power tool will do the job better and safer at the rate for which it was designed.
- **DO NOT** use the power tool if the switch does not turn it on and off.
  - Any power tool that cannot be controlled with the switch is dangerous and must be repaired.
- **Disconnect the plug from the power source and/or remove the battery pack, if detachable, from the power tool, before making any adjustments, changing accessories or storing power tools.**
  - Such preventive safety measures reduce the risk of starting the power tool accidentally.
- **Store idle power tools out of the reach of children and DO NOT allow persons unfamiliar with the power tool or these instructions to operate the power tool.**
  - Power tools are dangerous in the hands of untrained users.
- **Maintain power tools and accessories. Check for misalignment or binding of moving parts, breakage of parts and any other condition that may affect the power tool's operation. If damaged, have the power tool repaired before use.**
  - Many accidents are caused by poorly maintained power tools.
- **Keep cutting tools sharp and clean.**
  - Properly maintained cutting tools with sharp cutting edges are less likely to bind and are easier to control.
  - Use the power tool, accessories and tool bits etc. in accordance with these instructions, taking into account the working conditions and the work to be performed.
  - **Use of the power tool for operations different from those intended could result in a hazardous situation.**

- **Keep handles and grasping surfaces dry, clean and free from oil and grease.**
  - Slippery handles and grasping surfaces do not allow for safe handling and control of the tool in unexpected situations.

### Service

- **Have your power tool serviced by a qualified repair person using only identical replacement parts.**
  - This will ensure that the safety of the power tool is maintained.

## 4.2 Specific Health and Safety Warnings for Hedge Trimmers

- **Keep all parts of the body away from the blade. DO NOT remove cut material or hold material to be cut when blades are moving.**
  - Blades continue to move after the switch is turned off. A moment of inattention while operating the hedge trimmer may result in serious personal injury.
- **Carry the hedge trimmer by the handle with the blade stopped and taking care not to operate any power switch.**
  - Proper carrying of the hedge trimmer will decrease the risk of inadvertent starting and resultant personal injury from the blades.
- **When transporting or storing the hedge trimmer, always use the blade cover.**
  - Proper handling of the hedge trimmer will decrease the risk of personal injury from the blades.
- **When clearing jammed material or servicing the hedge trimmer, make sure all power switches are off and the power cord is disconnected.**
  - Unexpected actuation of the hedge trimmer while clearing jammed material or servicing may result in serious personal injury.
- **Hold the hedge trimmer by insulated gripping surfaces only, because the blade may contact hidden wiring or its own cord.**
  - Blades contacting a 'live' wire may make exposed metal parts of the hedge trimmer 'live' and could give the operator an electric shock.
- **Keep all power cord and cables away from the cutting area.**
  - Power cords or cables may be hidden in hedges or bushes and can be accidentally cut by the blade.

- **DO NOT use the hedge trimmer in bad weather conditions, especially when there is a risk of lightning.**

- This decreases the risk of being struck by lightning.

### 4.3 Specific Health and Safety Warnings for Pole Hedge Trimmers

- **Beware of overhead power lines.**
- **To reduce the risk of electrocution, never use the extended-reach hedge trimmer near any electrical power lines.**
  - Contact with or use near power lines may cause serious injury or electric shock resulting in death.
- **ALWAYS use two hands when operating the extended-reach hedge trimmer.**
  - Hold the extended-reach hedge trimmer with both hands to avoid loss of control.
- **ALWAYS use head protection when operating the extended-reach hedge trimmer overhead.**
  - Falling debris can result in serious personal injury.

### 4.4 Additional Safety Instructions for Hedge Trimmers

- **ALWAYS** wear appropriate personal protective equipment (PPE) for your own safety:
  - Use eye protection, hearing protection and protective gloves.
- Wear suitable work clothing, such as solid shoes with non-slip soles as well as long, robust trousers.
- **NEVER** allow children to use the hedge trimmer.
- **DO NOT** wear long clothing or jewellery, as they can become jammed in the moving parts.
- **NEVER** use the trimmer barefooted or wearing open sandals.
- Before operating the hedge trimmer check the hedges/bushes for foreign objects e.g wire fences and hidden wiring.
- **This tool is intended for trimming hedges. DO NOT cut branches, hard wood or anything else with this tool.**
- The hedge trimmer intended to be used by the operator at ground level and not on ladders or any unstable support.
- **ALWAYS hold the trimmer firmly with both hands and away from your body during operation.** This will help you to have better control of the device in unexpected situations.

- **NEVER hold or pick up the trimmer by the cutting blade.** Contact with the cutting blade can lead to injuries.
- **DO NOT use the tool near flammable liquids or gases.** In the event of a short circuit there is a risk of fire and explosion.
- **ALWAYS** ensure that the trimmer is in one of the specified working positions before starting.
- **The blades must be checked regularly for wear and sharpens.** Blunt blades overload the trimmer. Any damage that results is not covered by the warranty.
- Switch off and unplug from the power outlet and ensure that all moving parts have come to a complete stop:
  - when leaving the trimmer
  - before removing obstructions or loosening blockages
  - before checking, cleaning or performing any maintenance
  - before adjusting the working position of the cutting blade
  - If the cutting blade touches a foreign object or the device starts to vibrate abnormally, an immediate inspection is required: examine for loose parts and damage, tighten or replace damaged parts with equivalent ones or have the trimmer repaired.
- **DO NOT try to repair the device by yourself unless you have professional training.** All work not mentioned in this instruction manual may only be performed by Draper tools or an approved service centre.

## 4. Health and Safety Information

---

### 4.5 Connection to the Power Supply

This appliance is supplied with an approved plug and cord for your safety.

If the power supply cord is damaged, it must be replaced by Draper Tools, an authorised service agent or similarly qualified personnel in order to avoid a hazard.

The damaged or incomplete plug, when cut from the extension cord, shall be disabled to prevent connection to a live electrical outlet.

This appliance is a Class II\* and is designed for connection to a power supply matching that detailed on the rating label and compatible with the plug fitted. The value of the fuse fitted is marked on the pin face of the plug. Should the fuse need replacing, use a small plain-slot screwdriver to remove the fuse cover.

Ensure the substitute is of the correct rating, approved to BS 1362 and ASTA or BS Kite marked. This should only be performed by suitably qualified personnel.


ASTA 

BSI 

**Important:** Use the extension cord supplied with this product only as it is approved and compatible rated for this product.

Unwind the entire cable and follow all the instructions supplied.

It is recommended to connect the trimmer only to a supply circuit protected by a residual current device (RCD) with a tripping current of not more than 30 mA.

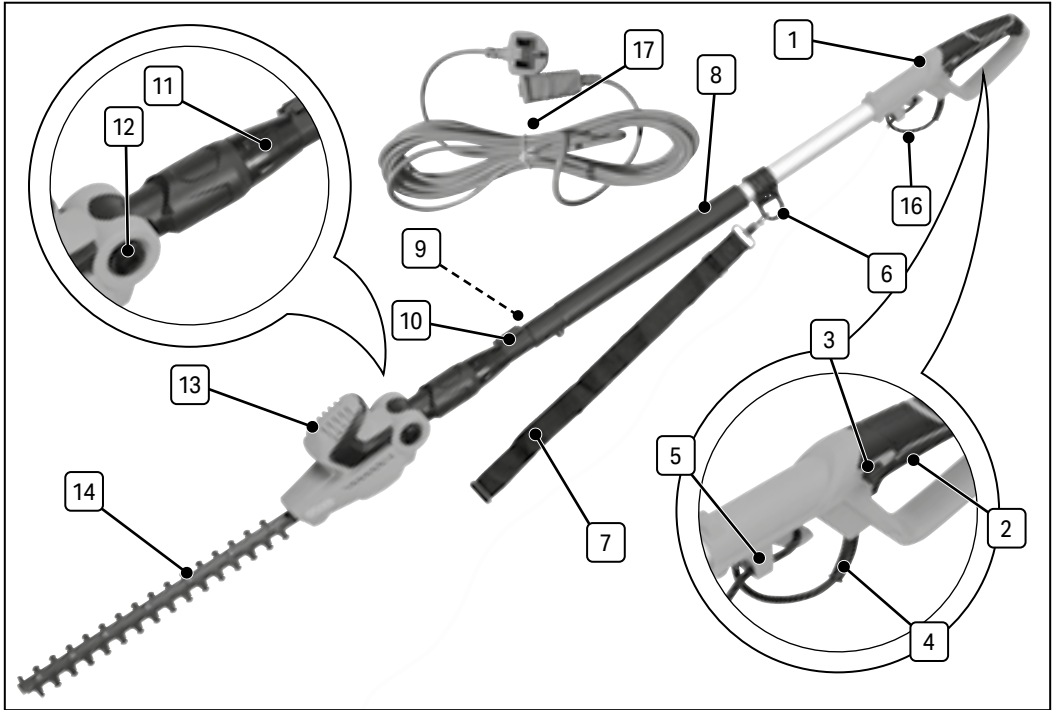
†**Double insulated** : This product is double insulated and does not require an earth connection to protect against electric shock from accessible conductive parts in the event of failure of the basic insulation.

### 4.6 Residual Risk

The safety instructions in this manual cannot account for all possible conditions and situations that may occur. Exercise common sense and caution when using this product and protect against any additional conceivable risks

## 5.1 Product Overview

Carefully remove the product from the packaging and examine it for any signs of damage that may have occurred during shipment. If any part is damaged or missing, **DO NOT** attempt to use the product. Please contact the Draper Helpline; contact details can be found at the back of this manual.



- |   |                       |    |  |    |                         |
|---|-----------------------|----|--|----|-------------------------|
| 1 | Rear handle           | 7  | Shoulder/carry strap                   | 12 | Angle adjustment button |
| 2 | ON/OFF trigger        | 8  | Front/auxiliary handle                 | 13 | Motor housing           |
| 3 | Trigger safety button | 9  | Telescopic pole                        | 14 | Cutter/blade            |
| 4 | Power cord            | 10 | Telescopic pole length adjustment lock | 15 | Blade guard (not shown) |
| 5 | Cord retainer         | 11 | Locking sleeve                         | 16 | Trimmer cord            |
| 6 | Strap hook            |    |  | 17 | Extension cord          |

## 5.2 Packaging

Keep the product packaging for the duration of the warranty period for reference should the product need to be returned for repair.

**WARNING!** Keep packaging materials out of reach of children. Dispose of packaging correctly and responsibly and in accordance with local regulations.

Please visit [drapertools.com](http://drapertools.com) for our full range of accessories and consumables.

## 6. Assembling Instructions

**Important:** Before preparing or adjusting this product, read and understand all the safety instructions listed in this manual and ensure the trimmer is switch off and unplugged before assembling.

### 6.1 Fitting the Telescopic Pole (Fig.1 – Fig.2)

- Align the tab (9.1) on the telescopic pole (9) section with the groove in the motor housing connector (13.1).

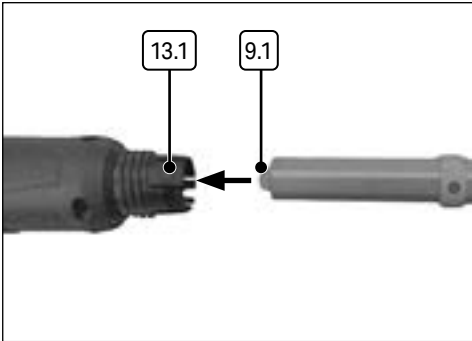


Fig. 1

- Secure together by turning the locking sleeve (11) to the lock symbol.

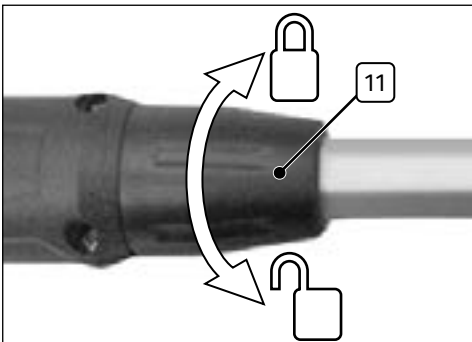


Fig. 2

### 6.2 Adjusting the Telescopic Pole Length (Fig.3)

- Unlatch the length adjustment lock (10).
- Then slide the telescopic pole (9) to the required length.
- Lock in place by closing the adjustment lock.

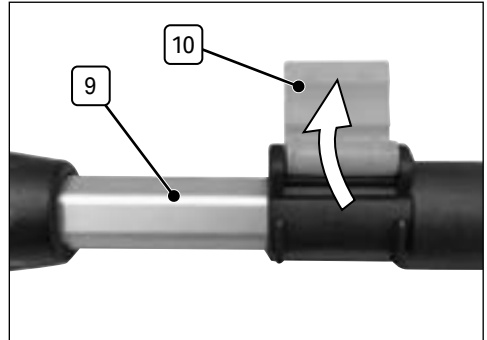


Fig. 3

### 6.3 Fitting the Shoulder Strap (Fig.4)

- Attach the quick release latch (7.1) to the hook (6).
- Adjust the shoulder strap to a comfortable balanced working position.
- Position the shoulder strap over the right shoulder and carry the tool on the right side of the body.

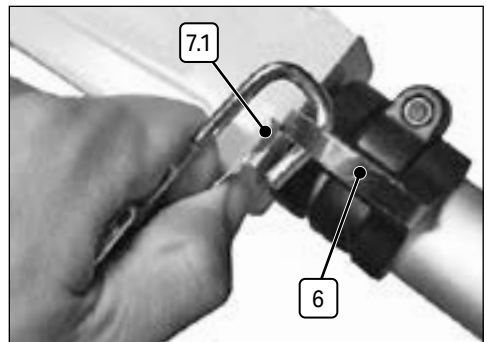


Fig. 4

**⚠ Attention! NEVER attach the strap diagonally over the shoulder and chest, as this will prevent quick removal of the tool from the body in case of danger.**

**Important:** Before operating this product, read and understand all the safety instructions listed in this manual. Ensure that the product is fully assembled and correctly prepared for use.

**WARNING!** Use of this product can pose a danger to wildlife. Before using this trimmer, check the area: if necessary relocate.

**Important:**

- Beware of hidden objects before cutting. Check for hidden wire fences, power cables or other objects within the hedge that could be damaged during operation or cause injury if cut by the blades.
- Only operating the hedge trimmer at ground level and never on ladders or other unstable support.
- Check with your local authority that no seasonal bans on hedge cutting are in place.
- Remove the blade guard before starting the trimmer.
- Before using the hedge trimmer, remove any large branches with a pair of loppers.
- To prolong the life of the blade, avoid contact with larger branches, roots, stones, walls, fences and other hard surfaces.

## 7.1 Connecting the Trimmer Cord to the Extension Cord

- Attach the extension cord (17) supplied to the trimmer short cord (16) before plugging in.
- Keep the extension cord away from the cutting edge of the trimmer.
- Inspect the cords for wear and damage before each use. **DO NOT** use the trimmer if the cords are worn or damaged.

## 7.2 Holding the Hedge Trimmer

1. Fit the shoulder strap over your right shoulder and check that it is in a comfortable and balanced position.
2. Then place your left-hand hold on the soft grip front handle (8) and hold the rear handle (1) with your right hand.
3. Only operating the hedge trimmer at ground level and never on ladders or other unstable support.
  - Keep a firm grip with both hands during operation.

## 7.3 ON/OFF Switch (Fig.5)

1. Remove the cover from the blade before starting the trimmer.
2. Press the trigger safety lock button (3) first.
3. Then squeeze the on/off trigger (2) and release the safety lock button once the trimmer has started.

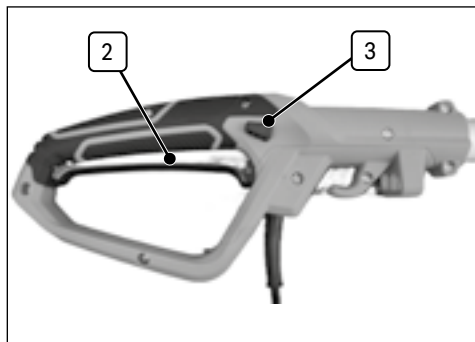


Fig. 5

### To stop the trimmer

- Release the on/off trigger.

## 7.4 Adjusting the Cutting Head Angle (Fig.6)

1. Press the head adjustment button (12) in.
2. Then adjust to the required angle.
3. Release the button to lock the head in place.



Fig. 6

- **ONLY** adjust the head when the trimmer is switched off.

## 8. Maintenance and Troubleshooting

---

**Important: ALWAYS** switch off and unplug from the power supply before carrying out any cleaning, servicing or maintenance.

### 8.1 General Maintenance

- Regularly inspect and clean the trimmer to keep the tool in good working condition.
- After use clean the cutting blade thoroughly and remove any debris, sap and moisture. Use a brush to remove any debris from the blades.
- Clean the blade with an oily cloth and spray with a moisture dispersant lubricating oil.
- Wipe the product exterior with a damp cloth **ONLY**. **NEVER** spray with water.
- **Important: DO NOT** use solvents as this may damage the plastic parts.
- Keep the ventilation slots clear of debris.
- Use **ONLY** spare parts supplied and recommended by Draper Tools.
- Store the product in a dry and dust-free environment, out of reach of children.

### 8.2 Troubleshooting

Problem	Possible cause	Remedy
<b>Trimmer not operating</b>	Extension cord not connected to trimmer.	Connect extension cord to trimmer.
	Extension cord or plug worn or damaged.	Check cord and plug and get it replaced if necessary.
	<b>ON/OFF</b> switch defective.	Contact Draper Tools for advice.
<b>Poor cutting performance</b>	Blade blunt or damaged.	Replace blade.
	Too much friction.	Lubricate the blade.

---

## 9. Spares, Returns and Disposal

For spare parts, servicing, and repair and replacement options, please contact the Draper Tools Product Helpline for details of your nearest authorised agent.

Draper Tools will endeavour to hold any spare parts, if applicable, for seven years from the date that it sells the final matching stock item.

Any servicing or repairs carried out by unauthorised personnel or installation of spare parts not supplied by Draper Tools will invalidate your warranty.

At the end of its working life, dispose of the product responsibly and in line with local regulations. Recycle where possible.

**DO NOT** dispose of this product with domestic waste; most local authorities provide appropriate recycling facilities.



## 10. Warranty

This warranty covers parts and labour for 12 months from date of purchase – visit [drapertools.com/warranty](http://drapertools.com/warranty) for more information. However, if the tools are hired out, the warranty period is 90 days from the date of purchase.

Should the tool develop a fault within the warranty period, return the complete tool to the place of purchase or contact Draper Tools directly. Proof of purchase must be provided.

This warranty does not apply to any consumable parts or normal wear and tear.

It also does not cover any damage caused by misuse, careless or unsafe handling, modifications, or repairs carried out by any personnel other than an authorised Draper Tools repair agent.

Please note that this guarantee is in addition to and does not affect your statutory rights.

### Draper Tools

# 11. Explanation of Symbols



Read the instruction manual



Wear ear defenders and head protection.



Wear protective gloves.



Wear protective safety wear.



Wear protective footwear.



Wear protective face wear



Keep long hair tied back.



Keep product out of wet or damp conditions



Switch off and remove plug from mains before adjusting, cleaning or if the cord is entangled or damaged



Keep bystanders away



**DO NOT** use in wet conditions



**Warning!**



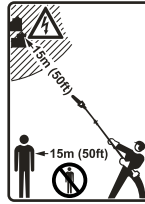
**Warning! Sharp blades**



**Warning! Wait until all machine components have completely stopped before touching them**



**Warning! The electrical product poses a risk of being charged**



**Warning! Danger to life from electrical shock!**

Stay at least 15m away from overhead power lines.



Voltage



Wattage



Strokes per minute (no-load speed)



Blade length



Maximum extendable length



Maximum cutting diameter



Product weight



Class II construction (Double insulated)



WEEE – Waste Electrical & Electronic Equipment  
Do not dispose of Waste Electrical & Electronic Equipment in with domestic rubbish



European conformity



UK Conformity Assessed



## Contact Details

### **Draper Tools Limited**

Hursley Road  
Chandler's Ford  
Eastleigh  
Hampshire  
SO53 1YF  
UK

**Website:** [drapertools.com](http://drapertools.com)

**Email:** [sales@drapertools.com](mailto:sales@drapertools.com)

**Product Helpline:** +44 (0) 23 8049 4344

**Telephone Sales Desk:** +44 (0) 23 8049 4333

**General Enquiries:** +44 (0) 23 8026 6355

### **Draper Tools Europe B.V.**

Oude Graaf 8  
6002 NL  
Weert  
Netherlands

Please contact the Draper Tools Product Helpline for repair and servicing enquiries.