

DRAPER

EN

Original Instructions
Version 1 – January 2026

DRUM
FANS

31850, 31851, 31852, 31853



**UK
CA** **CE**

Stock Nos: 31850, 31851, 31852, 31853

Part Nos: DF24-120W, IDF24-330W, DF30-300W, DF36-450W

Version 1: January 2026

First release

1. Intended Use

This product is designed as a high efficiency drum fan for air circulation in office and workshop environments.

Wheels are provided for increased mobility.

Any other application beyond the conditions established for use will be considered misuse. Draper Tools accepts no responsibility for improper use of this product.

Read this manual in full before using this product and retain it for future use. Always use the latest version of the manual. Please visit drapertools.com/manuals for the latest version.

2. Specification

Stock No.	31850	31851	31852	31853
Part No.	DF24-120W	IDF24-330W	DF30-300W	DF36-450W
Rated Voltage	230V/50Hz	230V/50Hz	230V/50Hz	230V/50Hz
Rated Input	120W	330W	300W	450W
Fan Diameter	590mm (24")	590mm (24")	762mm (30")	914mm (36")
Guard Diameter	640mm (25")	640mm (25")	800mm (31.5")	940mm (37")
Speed Settings	3	3	3	2
Speed 1 (Low)	1000rpm	727rpm	1081rpm	980rpm
Speed 2 (Medium)	1140rpm	877rpm	1228rpm	-
Speed 3 (High)	1265rpm	1045rpm	1320rpm	1085rpm
Air Flow (High)	156m ³ /min	185m ³ /min	212m ³ /min	305.36m ³ /min
Noise Level	67dB (A)	70dB (A)	78dB (A)	78dB (A)
Approx. Dimensions (W x D x H)	735 X 310 X 760mm	735 X 310 X 760mm	890 X 475 X 1000mm	1060 X 470 X 1160mm
Net Weight	11.04kg	12.0kg	20.4kg	26.8kg
Cord length (approx.)	1.85M	1.85M	2.45M	2.45M

3. Health and Safety Information

Important: Read all the Health and Safety instructions before attempting to operate, maintain or repair this product. Failure to follow these instructions may result in injury or damage to the user or the product.

3.1 Health and Safety for Fans

- This appliance is not intended for use by persons (including children) with reduced physical, sensory or mental capabilities or lack of experience and knowledge, unless they have been given supervision or instruction concerning use of the appliance by a person responsible for their safety.
- Children should be supervised to ensure they do not play with the appliance.
- Ensure that the fan is situated and used in an area free from loose furnishings, clothing, curtains etc; that could get sucked into the fan air inlet or block the blades.
- **DO NOT** leave the fan running unattended.
- Ensure the fan is situated in an area free from dust and air that could be sucked up, causing air pollution or damage the motor.
- For indoors use only. **DO NOT** use outdoors.

- Disconnect the fan from the power supply and wait for the blades to stop rotating before moving, adjusting, servicing or carrying out any maintenance.
- Complete the assembly procedure prior to connecting to the power supply or switching on after cleaning.
- **NEVER** insert fingers, pencils or any other objects through the protective grille while the fan is running.
- Before removing the grille, ensure the fan is switched off, disconnected from the power supply and the blades have stopped rotating.
- **ALWAYS** operate the fan on a secure, firm and level surface.
- **DO NOT** operate the fan with the blade guards/grille or any safety devices removed.
- **DO NOT** use the fan near an open window, as rain can create an electrical hazard.
- If the power supply cord becomes damaged it should be replaced immediately.
- **DO NOT** use this fan with an independent externally connected speed control device.
- **DO NOT** cover the fan when in use.
- **DO NOT** run the power cord under carpeting or cover with throw rugs or runners. Arrange the cord away from high traffic areas where it will not be tripped over.
- **DO NOT** use in close proximity to a bath, shower or swimming pool.

3.2 Connection to the Power Supply



CAUTION!

Risk of electric shock. **DO NOT** open.

This appliance is supplied with an approved plug and cord for your safety.

This appliance is Class I and is designed for connection to a power supply matching that detailed on the rating label and compatible with the plug fitted.

If the power supply cord is damaged, it must be replaced by Draper Tools, an authorised service agent or similarly qualified personnel in order to avoid a hazard.

The damaged or incomplete plug, when cut from the cord, shall be disabled to prevent connection to a live electrical outlet.

The value of the fuse fitted is marked on the pin face of the plug. Should the fuse need replacing, use a small plain-slot screwdriver to remove the fuse cover. Ensure the substitute is of the correct rating, approved to BS 1362 and ASTA or BS Kite marked. This should only be performed by suitably qualified personnel.


ASTA 

BSI 

Avoid the use of extension cords due to the risk of fire.

Important: If an extension lead is required, use an approved and compatible lead rated for this appliance.

Unwind the entire cable and follow all the instructions supplied with the extension lead.

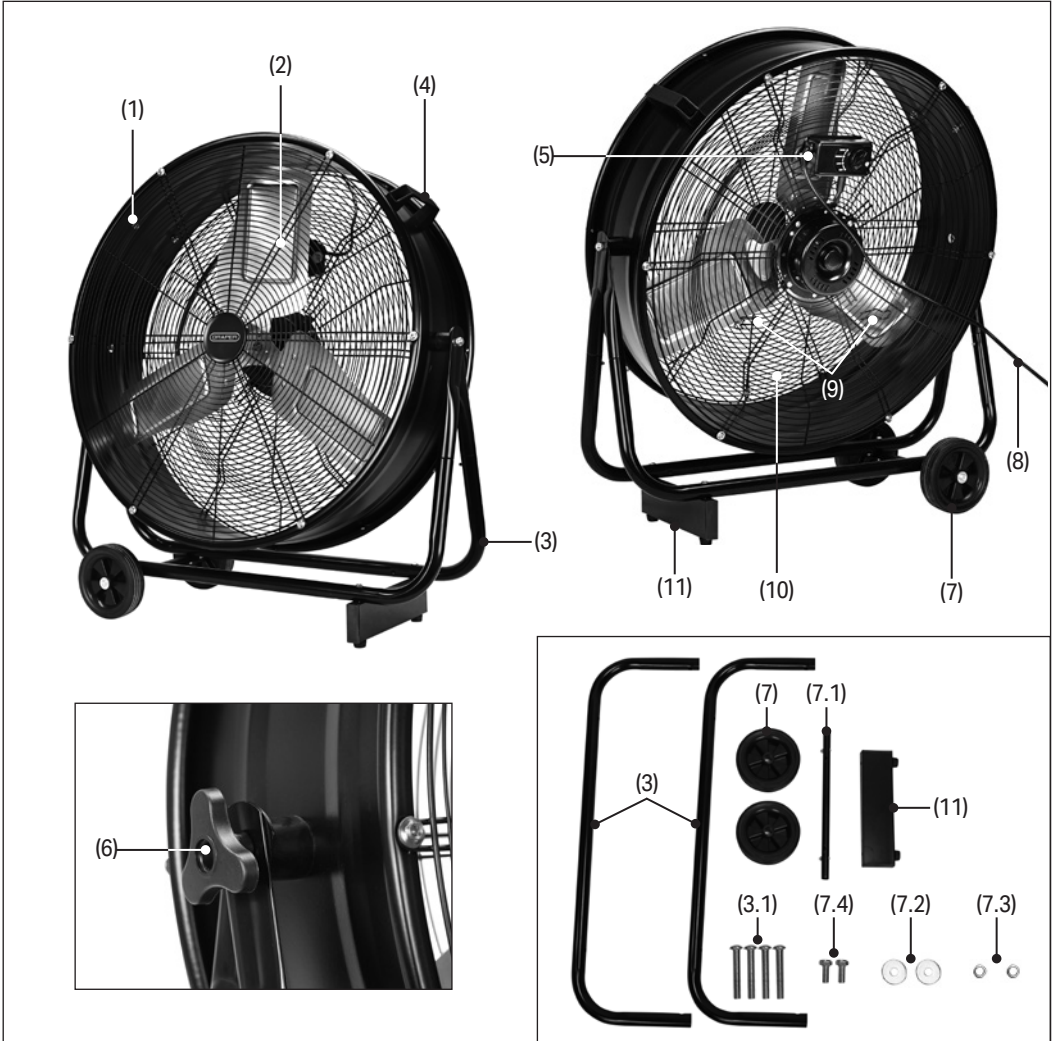
[†]Earthed:  This product requires an earth connection to protect against electric shock from accessible conductive parts in the event of a failure of the basic insulation.

3.3 Residual Risk

The safety instructions in this manual cannot account for all possible conditions and situations that may occur. Exercise common sense and caution when using this product and protect against any additional conceivable risks.

4. Identification

Carefully remove the product from the packaging and examine it for any signs of damage that may have occurred during shipment. If any part is damaged or missing, **DO NOT** attempt to use the product. Please contact the Draper Helpline; contact details can be found at the back of this manual.



- | | | | |
|---|--|-------------------|---------------------------|
| (1) Front guard | (3.1) 4 X Screws | (7) 2 X Wheel | (8) Cord and plug |
| (2) Fan blade | (4) Transport handle/s | (7.1) 1 X Axle | (9) Cord storage brackets |
| (3) Support frame*
31850/31851 requires
assembling. | (5) Speed control | (7.2) 2 x Washers | (10) Rear guard |
| | (6) 2 X Angle adjustment
knob (31850/31851) | (7.3) 2 X Gasket | (11) Support foot |
| | | (7.4) 2 X Screws | |

Please visit drapertools.com for our full range of accessories and consumables.

5. Assembly Instructions

Important: Before assembling this product, read and understand all the safety instructions listed in this manual.

5.1 Fitting the Support Frame (31850 & 31851)

1. Insert the brackets on each side of the fan into the opening of the support frame (3).
2. To allow insertion into the frame section, press the spring loaded buttons in. Insert until the spring loaded buttons protrude through the holes in the frame.

Note: these parts may need to be flexed to align correctly.

5.2 Fitting the Wheels & Support Foot (Fig.1)

3. Loosen the screws (7.4), gaskets (7.3), washers (7.2) from each end of the wheel axle (7.1).
4. Then fit the wheels (7) to the end of the axle and secure using the washers, gaskets and screws.
5. Fit the support foot (11) and wheels to the support frame (3) using the four screws (3.1) supplied.

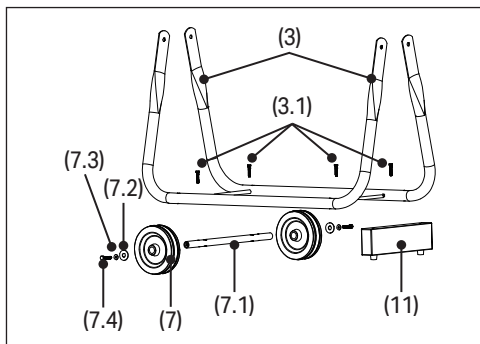


Fig.1

6. Operation

Important: Before operating this product, read and understand all the safety instructions listed in this manual. Ensure that the product is fully assembled and correctly prepared for use.

6.1 Fan Speed Control (Fig.2 - Fig.3)

Speed control for 31850 31851 31852 (Fig.2)



Fig.2

Speed control for 31853 (Fig.3)



Fig.3

- Turn the rotary control (5) to select the required fan speed.

6.2 Tilting the Fan (Fig.4)



Fig.4

- **31850/31851** - To adjust the angle upwards or downwards, loosen the adjustment knob (6) to the required angle and retighten.

- **31852/31853** - Manually tilt the fan by gently pushing or pulling on the top of the fan housing.
- **DO NOT** exert excess pressure or damage to the fan may occur.

7. Maintenance and Disposal

Important: ALWAYS switch off and unplug the fan and allow the blades to stop rotating before cleaning or carrying out any maintenance.

- Clean all the plastic components with a damp cloth. **DO NOT** spray with water/cleaning agents or immerse the fan unit in water.



WARNING! DO NOT allow any water or cleaning detergent to enter the motor housing or switch mechanism.

- Ensure the fan is clean, dry and correctly assembled after cleaning and before each use.

At the end of its working life, dispose of the product responsibly and in line with local regulations. Recycle where possible.

DO NOT dispose of this product with domestic waste; most local authorities provide appropriate recycling facilities.



8. Warranty

12 months from date of purchase -
Visit [drapertools.com/warranty](https://www.drapertools.com/warranty) for full details.

9. Explanation of Symbols



Read the instruction manual



Warning!



Class 1 appliance (must be Earthed)



Rated input



Rated voltage



Speed settings



Air flow (high)



Net weight



WEEE –
Waste Electrical & Electronic Equipment

Do not dispose of Waste Electrical & Electronic Equipment
in with domestic rubbish



European conformity



UK Conformity Assessed

Contact Details

Draper Tools

Draper Tools Limited
Hursley Road
Chandler's Ford
Eastleigh
Hampshire
SO53 1YF
UK

Website: drapertools.com

Email: sales@drapertools.com

Product Helpline: +44 (0) 23 8049 4344

Telephone Sales Desk: +44 (0) 23 8049 4333

General Enquiries: +44 (0) 23 8026 6355

Draper Tools Europe B.V.

Oude Graaf 8
6002 NL
Weert
Netherlands

Please contact the Draper Tools Product Helpline for repair and servicing enquiries.