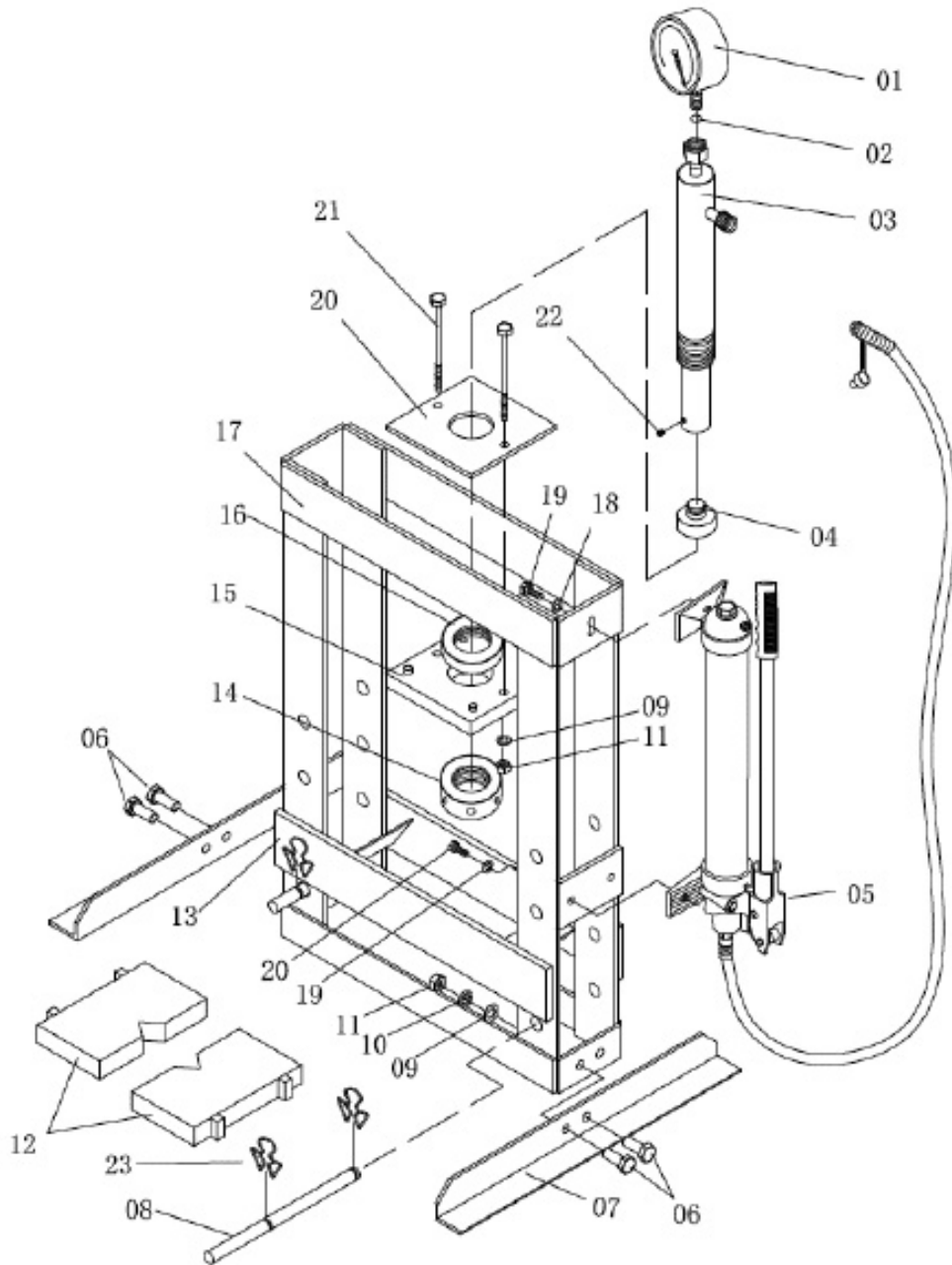


10 TONNE BENCH PRESS

70538 – HBP/10D SPARE PARTS LISTING



KEY No.	PART No.	STOCK No.	DESCRIPTION
1 & 2	YHBP/10D-1	70283	Pressure gauge assembly
3 - 4 & 22	YHBP/10D-2	70284	Hydraulic ram assembly
5	YHBP/10D-3	70289	Hydraulic pump
6 & 9 - 11	YHBP/10D-4	70291	Base fixings kit
7	YHBP/10D-5	70296	Base
8 & 20	YHBP/10D-6	70305	Pin assembly kit

KEY No.	PART No.	STOCK No.	DESCRIPTION
12	YHBP/10D-7	70310	V-block set
13	YHBP/10D-8	70317	Table
9 11 14 - 16 20 - 21	YHBP/10D-9	70318	Ram fixings kit
18 & 19	YHBP/10D-10	70320	Pump fixings kit