

**DRAPER**

**EN**

Original Instructions  
Version 3 - February 2026

230V 250MM

# SLIDING TABLE SAW

99258



**UK  
CA** **CE**

# 1. Preface

---

These are the original product instructions. Read the instruction manual in full and retain for future reference.

Please visit [drapertools.com/manuals](http://drapertools.com/manuals) for the latest version of this manual and the associated parts list, if applicable.

## 1.1 Product Reference

**User Manual for:** 250mm Sliding Table Saw

**Stock No:** 99258

**Part No:** BTS256A

## 1.2 Revisions

**Version 1:** November 2019

First release

**Version 2:** June 2021

**Version 3:** February 2026

As our manuals are continually updated, always ensure that the latest version is used.

Please visit [drapertools.com/manuals](http://drapertools.com/manuals) for the latest version of this manual and the associated parts list, if applicable.

## 1.3 Understanding the Safety Content of This Manual



**WARNING!** – Situations or actions that may result in personal injury or death.



**CAUTION!** – Situations or actions that may result in damage to the product or surroundings.

**Important:** – Information or instructions of particular importance.

## 1.4 Copyright © Notice

Copyright © Draper Tools Limited.

Permission is granted to reproduce this manual for personal and educational use **ONLY**. Commercial copying, redistribution, hiring or lending is strictly prohibited.

No part of this manual may be stored in a retrieval system or transmitted in any other form or means without written permission from Draper Tools Limited.

In all cases, this copyright notice must remain intact.

1. Preface	2	8. Basic Table Saw Operation	17
1.1 Product Reference	2	8.1 Ripping	17
1.2 Revisions	2	8.2 Bevel Ripping	17
1.3 Understanding the Safety Content of This Manual	2	8.3 Cross Cutting	17
1.4 Copyright © Notice	2	8.4 Bevel Cross Cutting	17
2. Contents	3	8.5 Mitre Cutting	18
3. Product Introduction	4	8.6 Compound Mitre Cutting	18
3.1 Intended Use	4	8.7 Ripping Small/Flat Wood Pieces	18
3.2 Specification	4	8.8 Workpiece Support	18
4. Health and Safety Information	5-9	9. Maintenance and Troubleshooting	19-20
4.1 General Power Tool Safety Warnings	5	9.1 General Maintenance	19
4.2 Additional Safety Instructions for Table Saws	6	9.2 Replacing the Blades	19
4.3 Kickback causes and relating Warnings	8	9.3 Replacing the Motor Brushes	19
4.4 Connection to the Power Supply	8	9.4 Troubleshooting	20
4.5 Residual Risk	9	10. Spares, Returns and Disposal	21
5. Identification and Unpacking	10-11	11. Warranty	21
5.1 Product Overview	10	12. Explanation of Symbols	22
5.2 What's in the Box?	11		
5.3 Packaging	11		
6. Assembly Instructions	12-15		
6.1 Attaching the Support Feet	12		
6.2 Attaching the Table Extensions	12		
6.3 Riving Knife Adjustment	12		
6.4 Fitting the Blade Guard	13		
6.5 Fitting the Rip Fence	13		
6.6 Dust Extraction	14		
6.7 Mounting the Table Saw	14		
6.8 Floor Stand	14		
7. Setting Up the Table Saw	16		
7.1 Changing the Blade Height	16		
7.2 Changing the Blade Angle (Bevel Cutting)	16		
7.3 Mitre Gauge Adjustment	16		

## 3.1 Intended Use

This table saw is designed for ripping, straight, mitre and compound angle cutting of wood and wood derived materials (such as hardwood, softwood, MDF, chipboard and plywood).

Any other application beyond the conditions established for use will be considered misuse. Draper Tools accepts no responsibility for improper use of this product.

Read this manual in full before attempting to assemble, operate or maintain the product, and retain it for later use.

## 3.2 Specification

Stock No.	99258
Part No.	BTS256A
Rated voltage:	230V/50Hz
Rated input:	1,800W
Speed (no load):	4,700rpm
<b>Maximum cut depth:</b>	
At 90°	74mm
At 45°	63mm
<b>Blade Information:</b>	
Diameter:	250mm
Thickness:	2.8mm
Bore size:	30mm
Suitable cutting material type:	Wood
<b>Table Size:</b>	
Fully extended:	800 X 590mm
Extension table:	141 X 590mm
Front/back sliding wing:	150 X 590mm
<b>Noise Emissions:</b>	
Sound pressure level:	94.8dB (A)
Single value noise level:	95dB (A)
Sound power level:	107.8dB (A)
Uncertainty:	3dB (A)
Net weight:	18.5kg

**Important:** The declared noise emissions values have been measured in accordance with a standard test method and may be used for comparing one tool with another. These values may also be used in a preliminary assessment of exposure.



**WARNING!** The noise emissions during actual use of the product can differ from the declared values depending on the type of work and the area upon which it is used. Before each use, estimate the likely exposure resulting from the actual conditions of use. Take into account all parts of the operation cycle in order to identify any safety measures required to protect the operator.

## 4.1 General Power Tool Safety Warnings



**WARNING!** Read all safety warnings, instructions, illustrations and specifications provided with this power tool. Failure to follow all instructions listed below may result in electric shock, fire and/or serious injury.

Save all warnings and instructions for future reference.

The term "power tool" in the warnings refers to your mains-operated (corded) power tool or battery-operated (cordless) power tool.

### Work Area Safety

- **Keep work area clean and well lit.**
  - Cluttered or dark areas invite accidents.
- **DO NOT operate power tools in explosive atmospheres, such as in the presence of flammable liquids, gases or dust.**
  - Power tools create sparks which may ignite the dust or fumes.
- **Keep children and bystanders away while operating a power tool.**
  - Distractions can cause you to lose control.

### Electrical Safety

- **Power tool plugs must match the outlet. NEVER modify the plug in any way. DO NOT use any adapter plugs with earthed (grounded) power tools.**
  - Unmodified plugs and matching outlets will reduce risk of electric shock.
- **Avoid body contact with earthed or grounded surfaces, such as pipes, radiators, ranges and refrigerators.**
  - There is an increased risk of electric shock if your body is earthed or grounded.
- **DO NOT expose power tools to rain or wet conditions.**
  - Water entering a power tool will increase the risk of electric shock.
- **DO NOT abuse the cord. NEVER use the cord for carrying, pulling or unplugging the power tool. Keep cord away from heat, oil, sharp edges or moving parts.**
  - Damaged or entangled cords increase the risk of electric shock.
- **When operating a power tool outdoors, use an extension cord suitable for outdoor use.**
  - Use of a cord suitable for outdoor use reduces the risk of electric shock.

- **If operating a power tool in a damp location is unavoidable, use a residual current device (RCD) protected supply.**
  - Use of an RCD reduces the risk of electric shock.

### Personal Safety

- **Stay alert, watch what you are doing and use common sense when operating a power tool. DO NOT use a power tool while you are tired or under the influence of drugs, alcohol or medication.**
  - A moment of inattention while operating power tools may result in serious personal injury.
- **Use personal protective equipment. ALWAYS wear eye protection.**
  - Protective equipment such as a dust mask, non-skid safety shoes, hard hat or hearing protection used for appropriate conditions will reduce personal injuries.
- **Prevent unintentional starting. Ensure the switch is in the 'OFF' position before connecting to power source, picking up or carrying the tool.**
  - Carrying power tools with your finger on the switch or energising power tools that have the switch on invites accidents.
- **Remove any adjusting key or wrench before turning the power tool on.**
  - A wrench or a key left attached to a rotating part of the power tool may result in personal injury.
- **DO NOT overreach. Keep proper footing and balance at all times.**
  - This enables better control of the power tool in unexpected situations.
- **Dress properly. DO NOT wear loose clothing or jewellery. Keep your hair, clothing and gloves away from moving parts.**
  - Loose clothes, jewellery or long hair can be caught in moving parts.
- **If devices are provided for the connection of dust extraction and collection facilities, ensure these are connected and properly used.**
  - Use of dust collection can reduce dust-related hazards.
- **DO NOT let familiarity gained from frequent use of tools to allow you to become complacent and ignore tool safety principles.**
  - A careless action can cause severe injury within a fraction of a second.


## Power Tool Use and Care

- **DO NOT force the power tool. Use the correct power tool for your application.**
  - The correct power tool will do the job better and safer at the rate for which it was designed.
- **DO NOT use the power tool if the switch does not turn it on and off.**
  - Any power tool that cannot be controlled with the switch is dangerous and must be repaired.
- **Disconnect the plug from the power source and/or remove the battery pack, if detachable, from the power tool, before making any adjustments, changing accessories or storing power tools.**
  - Such preventive safety measures reduce the risk of starting the power tool accidentally.
- **Store idle power tools out of the reach of children and DO NOT allow persons unfamiliar with the power tool or these instructions to operate the power tool.**
  - Power tools are dangerous in the hands of untrained users.
- **Maintain power tools and accessories. Check for misalignment or binding of moving parts, breakage of parts and any other condition that may affect the power tool's operation. If damaged, have the power tool repaired before use.**
  - Many accidents are caused by poorly maintained power tools.
- **Keep cutting tools sharp and clean.**
  - Properly maintained cutting tools with sharp cutting edges are less likely to bind and are easier to control.
- **Use the power tool, accessories and tool bits etc. in accordance with these instructions, taking into account the working conditions and the work to be performed.**
  - Use of the power tool for operations different from those intended could result in a hazardous situation.
- **Keep handles and grasping surfaces dry, clean and free from oil and grease.**
  - Slippery handles and grasping surfaces **DO NOT** allow for safe handling and control of the tool in unexpected situations.

## Service

- Have your power tool serviced by a qualified repair person using only identical replacement parts.
  - This will ensure that the safety of the power tool is maintained.

## 4.2 Additional Safety Instructions for Table Saws

- **Keep guards in place. Guards must be in working order and be properly mounted.**
    - A guard that is loose, damaged, or is not functioning correctly must be repaired or replaced.
  - **ALWAYS use saw blade guard, riving knife for every through-cutting operation.**
    - For through-cutting operations where the saw blade cuts completely through the thickness of the workpiece, the guard and other safety devices help reduce the risk of injury.
  - **DO NOT use the saw for rebating, grooving or slotting.**
  - **Ensure the saw blade is not contacting the guard, riving knife or the workpiece before the switch is turned on.**
    - Inadvertent contact of these items with the saw blade could cause a hazardous condition.
  - **Adjust the riving knife as described in this instruction manual.**
    - Incorrect spacing, positioning and alignment can make the riving knife ineffective in reducing the likelihood of kickback.
  - **For the riving knife to work it must be engaged in the workpiece.**
    - The riving knife is ineffective when cutting workpieces that are too short to be engaged with the riving knife. Under these conditions a kickback cannot be prevented by the riving knife.
  - **Use the appropriate saw blade for the riving knife.**
    - For the riving knife to function properly, the saw blade diameter must match the appropriate riving knife, and the body of the saw blade must be thinner than the thickness of the riving knife and the cutting width of the saw blade must be wider than the thickness of the riving knife.
-  **DANGER! Never place your fingers or hands in the vicinity or in line with the saw blade.**
- A moment of inattention or a slip could direct your hand towards the saw blade and result in serious personal injury.
- **Feed the workpiece into the saw blade only against the direction of rotation.**
    - Feeding the workpiece in the same direction that the saw blade is rotating above the table may result in the workpiece, and your hand, being pulled into the saw blade.

- **NEVER use the mitre gauge to feed the workpiece when ripping and DO NOT use the rip fence as a length stop when cross cutting with the mitre gauge.**
  - Guiding the workpiece with the rip fence and the mitre gauge at the same time increases the likelihood of saw blade binding and kickback.
- **When ripping, ALWAYS apply the workpiece feeding force between the fence and the saw blade. Use a push stick when the distance between the fence and the saw blade is less than 150 mm, and use a push block when this distance is less than 50 mm.**
  - Work helping' devices will keep your hand at a safe distance from the saw blade.
- **Use only the push stick provided by Draper Tools or constructed in accordance with the instructions.**
  - This push stick provides sufficient distance of the hand from the saw blade.
- **NEVER use a damaged or cut push stick.**
  - A damaged push stick may break causing your hand to slip into the saw blade.
- **DO NOT perform any operation 'freehand'. ALWAYS use either the rip fence or the mitre gauge to position and guide the workpiece.**
  - 'Freehand' means using your hands to support or guide the workpiece, in lieu of a rip fence or mitre gauge. Freehand sawing leads to misalignment, binding and kickback.
- **NEVER reach around or over a rotating saw blade.**
  - Reaching for a workpiece may lead to accidental contact with the moving saw blade.
- **Provide auxiliary workpiece support to the rear and/or sides of the saw table for long and/or wide workpieces to keep them level.**
  - A long and/or wide workpiece has a tendency to pivot on the table's edge, causing loss of control, saw blade binding and kickback.
- **Feed workpiece at an even pace. DO NOT bend or twist the workpiece. If jamming occurs, turn the tool off immediately, unplug the tool then clear the jam.**
  - Jamming the saw blade by the workpiece can cause kickback or stall the motor.
- **DO NOT remove pieces of cut-off material while the saw is running.**
  - The material may become trapped between the fence or inside the saw blade guard or the saw blade, pulling your fingers into the saw blade. Turn the saw off and wait until the saw blade stops before removing material.
- **Use an auxiliary fence in contact with the tabletop when ripping workpieces less than 2 mm thick.**
  - A thin workpiece may wedge under the rip fence and create a kickback.
- **Turn off the table saw and disconnect the power cord when removing the table insert, changing the saw blade or making adjustments to the riving knife, or saw blade guard, and when the machine is left unattended.**
  - Precautionary measures will avoid accidents.
- **NEVER leave the table saw running unattended. Turn it off and DO NOT leave the tool until it comes to a complete stop.**
  - An unattended running saw is an uncontrolled hazard.
- **Locate the table saw in a well-lit and level area where you can maintain good footing and balance. It should be installed in an area that provides enough room to easily handle the size of your workpiece.**
  - Cramped, dark areas, and uneven, slippery floors invite accidents.
- **Frequently clean and remove sawdust from under the saw table and/or the dust collection device.**
  - Accumulated sawdust is combustible and may self-ignite.
- **The table saw must be secured.**
  - A table saw that is not properly secured may move or tip over.
- **Remove tools, wood scraps, etc. from the table before the table saw is turned on.**
  - Distraction or a potential jam can be dangerous.
- **ALWAYS use saw blades with correct size and shape (diamond versus round) of arbour holes.**
  - Saw blades that do not match the mounting hardware of the saw will run off-centre, causing loss of control.
- **NEVER use damaged or incorrect saw blade mounting means such as flanges, saw blade washers, bolts or nuts.**
  - These mounting means were specially designed for your saw, for safe operation and optimum performance.
- **NEVER stand on the table saw, DO NOT use it as a stepping stool.**
  - Serious injury could occur if the tool is tipped or if the cutting tool is accidentally contacted.

- **Ensure that the saw blade is installed to rotate in the proper direction. DO NOT use grinding wheels, wire brushes, or abrasive wheels on a table saw.**
  - Improper saw blade installation or use of accessories not recommended may cause serious injury.

### 4.3 Kickback causes and relating Warnings

Kickback is a sudden reaction of the workpiece due to a pinched, jammed saw blade or misaligned line of cut in the workpiece with respect to the saw blade or when a part of the workpiece binds between the saw blade and the rip fence or other fixed object.

Most frequently during kickback, the workpiece is lifted from the table by the rear portion of the saw blade and is propelled towards the operator.

Kickback is the result of saw misuse and/or incorrect operating procedures or conditions and can be avoided by taking proper precautions as given below:

- **NEVER stand directly in line with the saw blade. ALWAYS position your body on the same side of the saw blade as the fence.**
  - Kickback may propel the workpiece at high velocity towards anyone standing in front and in line with the saw blade.
- **NEVER reach over or to the back of the saw blade to pull or to support the workpiece.**
  - Accidental contact with the saw blade may occur or kickback may drag your fingers into the saw blade.
- **NEVER hold and press the workpiece that is being cut off against the rotating saw blade.**
  - Pressing the workpiece being cut off against the saw blade will create a binding condition and kickback.
- **Align the fence to be parallel with the saw blade.**
  - A misaligned fence will pinch the workpiece against the saw blade and create kickback.
- Use a feather board to guide the workpiece against the table and fence when making non-through cuts such as rebating or resawing cuts. A feather board helps to control the workpiece in the event of a kickback.
- **Support large panels to minimise the risk of saw blade pinching and kickback.**
  - Large panels tend to sag under their own weight. Support(s) must be placed under all portions of the panel overhanging the tabletop.

- **Use extra caution when cutting a workpiece that is twisted, knotted, warped or does not have a straight edge to guide it with a mitre gauge or along the fence.**
  - A warped, knotted, or twisted workpiece is unstable and causes misalignment of the kerf with the saw blade, binding and kickback.
- **NEVER cut more than one workpiece, stacked vertically or horizontally.**
  - The saw blade could pick up one or more pieces and cause kickback.
- **When restarting the saw with the saw blade in the workpiece, centre the saw blade in the kerf so that the saw teeth are not engaged in the material.**
  - If the saw blade binds, it may lift up the workpiece and cause kickback when the saw is restarted.
- **Keep saw blades clean, sharp, and with sufficient set. Never use warped saw blades or saw blades with cracked or broken teeth.**
  - Sharp and properly set saw blades minimise binding, stalling and kickback.

### 4.4 Connection to the Power Supply



**CAUTION! Risk of electric shock. DO NOT open.**

This appliance is supplied with an approved plug and cord for your safety.

If the power supply cord is damaged, it must be replaced by Draper Tools, an authorised service agent or similarly qualified personnel in order to avoid a hazard.

The damaged or incomplete plug, when cut from the cord, shall be disabled to prevent connection to a live electrical outlet.


This appliance is Class II' and is designed for connection to a power supply matching that detailed on the rating label and compatible with the plug fitted. The value of the fuse fitted is marked on the pin face of the plug. Should the fuse need replacing, use a small plain-slot screwdriver to remove the fuse cover. Ensure the substitute is of the correct rating, approved to BS 1362 and ASTA or BS Kite marked. This should only be performed by suitably qualified personnel.

ASTA

BSI

**Important:** If an extension lead is required, use an approved and compatible lead rated for this appliance.

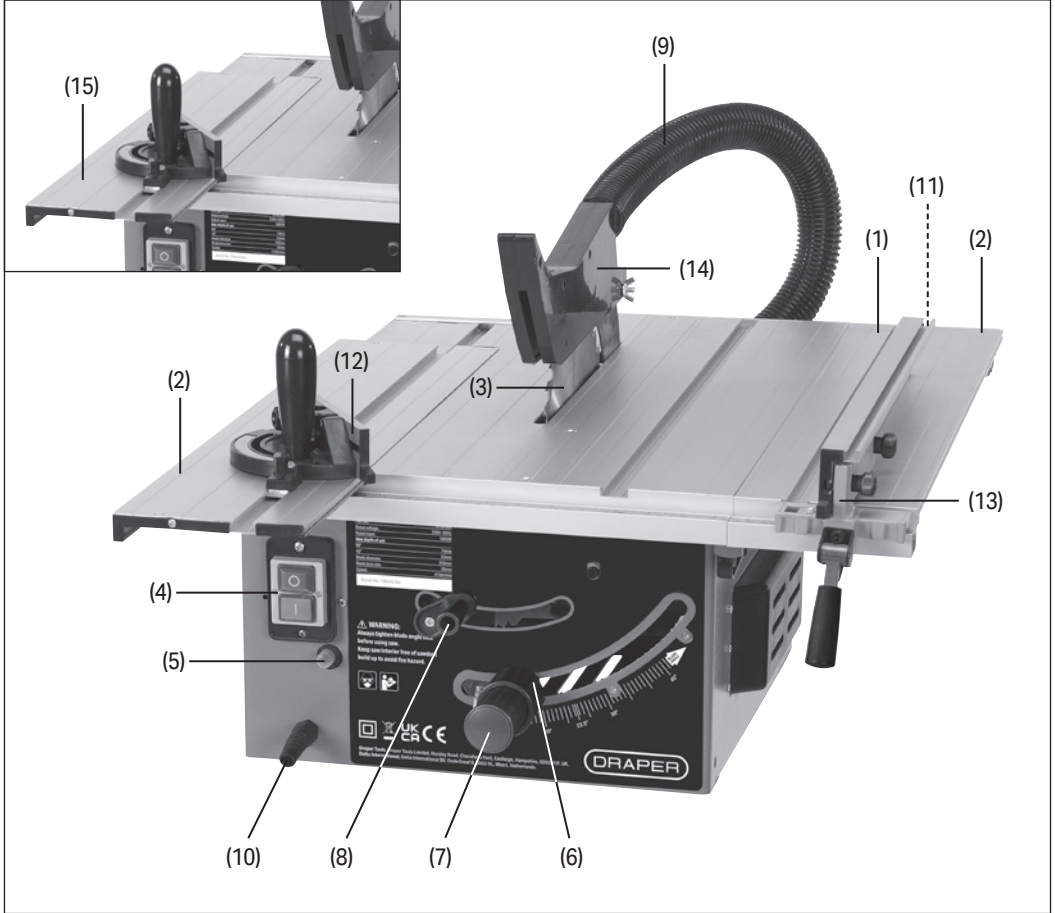
Unwind the entire cable and follow all the instructions supplied with the extension lead.

†Double insulated : This product requires no earth connection as supplementary insulation is applied to the basic insulation to protect against electric shock in the event of failure of the basic insulation.

### 4.5 Residual Risk

The safety instructions in this manual cannot account for all possible conditions and situations that may occur. Exercise common sense and caution when using this product and protect against any additional conceivable risks.

## 5.1 Product Overview



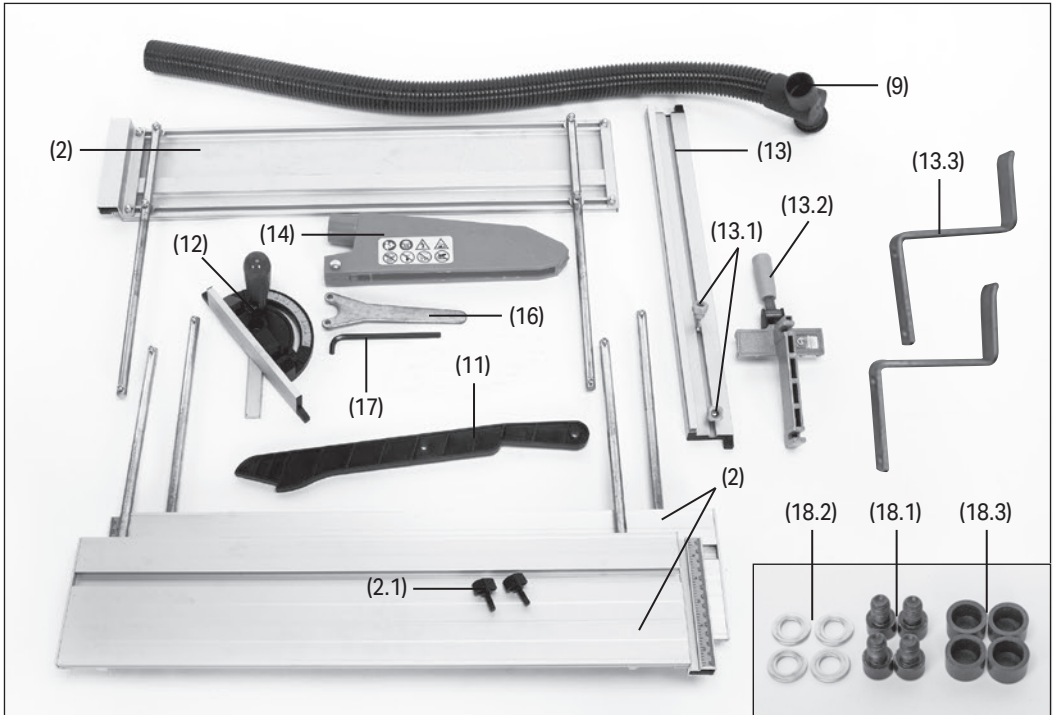
- |   |                                    |
|---|------------------------------------|
| (1) Worktable                                 | (9) Dust extraction hose           |
| (2) Table extensions                          | (10) Cord and plug                 |
| (3) TCT wood saw blade                        | (11) Push stick and storage holder |
| (4) <b>ON/OFF</b> switch                      | (12) Mitre gauge                   |
| (5) Overload protection reset switch          | (13) Rip fence assembly            |
| (6) Saw blade angle adjustment locking collar | (14) Blade guard                   |
| (7) Saw blade angle adjustment dial           | (15) Sliding wing                  |
| (8) Saw blade height adjustment handle        |                                    |

Please visit [drapertools.com](http://drapertools.com) for our full range of accessories and consumables.

## 5.2 What's in the Box?

Carefully remove the product from the packaging and examine it for any signs of damage that may have occurred during shipment. Before assembling the product, lay the contents out and check them against the parts shown

below. If any part is damaged or missing, do not attempt to use the product. Please contact the Draper Helpline; contact details can be found at the back of this manual.



(2) 2X Table extension  
(2.1) Thumbscrews

(9) Dust extraction hose

(11) Push stick

(12) Mitre gauge

(13) Rip fence

(13.1) 2 X rip fence bolts

(13.2) Handle assembly

(13.3) 2 X brackets

(14) Blade guard

(16) Pin spanner

(17) Hex key

(18) Feet mounting bracket fixings

(18.1) 4 X hex bolts (M8 X 12mm)

(18.2) 4 X M8 Flat washers

(18.3) 4 X black runner caps

## 5.3 Packaging

Keep the product packaging for the duration of the warranty period in case the product needs to be returned for repair.



**WARNING! Keep packaging materials out of reach of children. Dispose of packaging correctly and responsibly and in accordance with local regulations.**

# 6. Assembly Instructions

**Important:** Before preparing or adjusting this product, read and understand all the safety instructions listed in this manual. Ensure the saw is disconnected from the power supply before assembling.

## 6.1 Attaching the Support Feet (Fig.1)

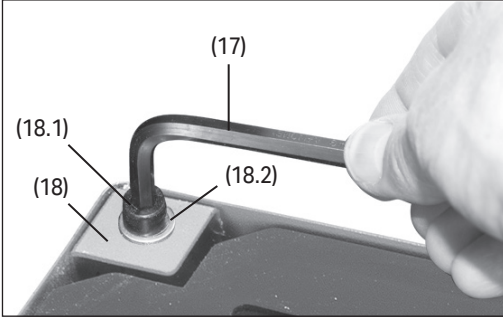


Fig.1

1. Screw the hex bolts (18.1) with the washers (18.2) into the mounting brackets (18) and secure using the hex key (17) supplied.
2. Then fit the black rubber caps (18.3) over each bolt.

## 6.2 Attaching the Table Extensions (Fig.2 – Fig.4)

(Fig.2 – Fig.4)

**Note:** Ensure that the blade does not show above the worktable to avoid damage to the bench surface.

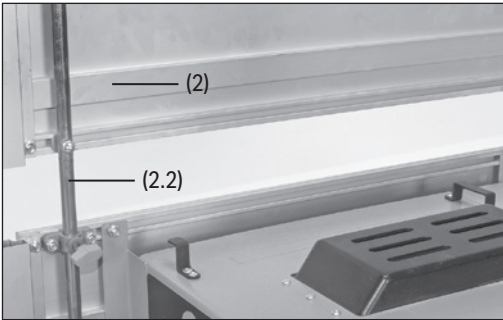


Fig.2

1. Remove the pan head screws from the end of the extension arms (2.2).
2. Line up the extension arms with the guide slots on the table extensions (2) and push into secure.



Fig.3

3. Replace the pan head screws (2.3) and tighten to secure.

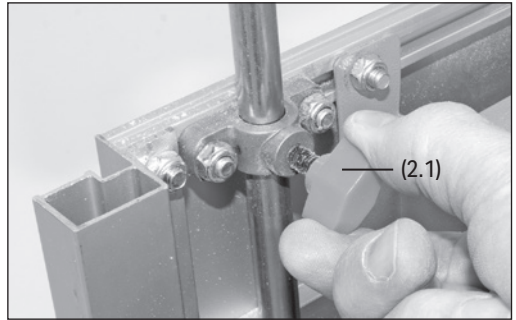


Fig.4

4. Use the thumbscrews (2.1) to lock the extension arms in the required position.

## 6.3 Riving Knife Adjustment (Fig.5 – Fig.6)

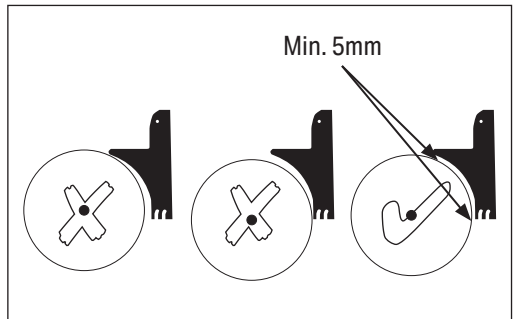


Fig.5

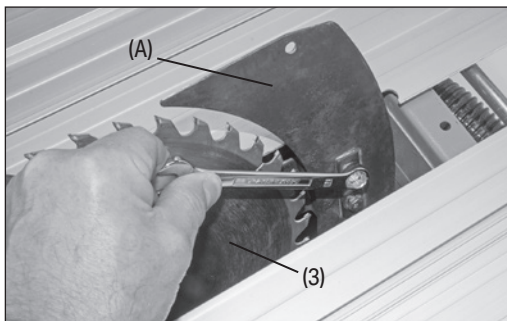


Fig.6

**Note:**

- The blade (3) and riving knife (A) are factory fitted.
- Before using the table ensure that the riving knife is set as shown in Fig.5.
- If adjustment is required, access the blade and knife by removing the three screws that hold the blade panel on the tabletop as shown in Fig.6.
- **ALWAYS** ensure the riving knife is directly in line with the blade.

### 6.4 Fitting the Blade Guard (Fig.7)

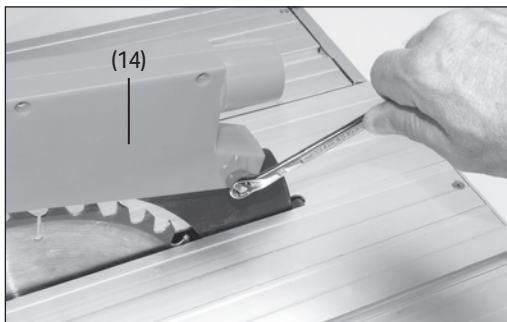


Fig.7

- Pass the bolt through from the left side, locating the square shoulder section into the blade guard (14) aperture. Then fit and tighten the locking nut.
- The blade guard must move freely to function correctly and to allow the guard to fall as the blade height increases.
- The shoulder of the guard blade is designed to prevent the guard being raised more than necessary and preventing exposure to the blade.

### 6.5 Fitting the Rip Fence (Fig.8 – Fig.11)

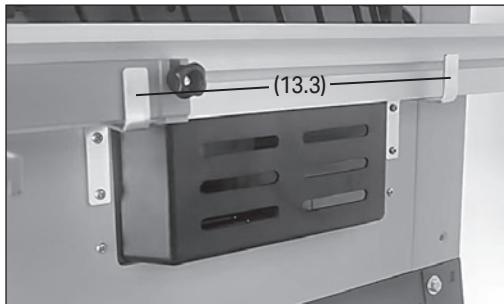


Fig.8

1. Fit the rip fence support brackets (13.3) to the side of the table.

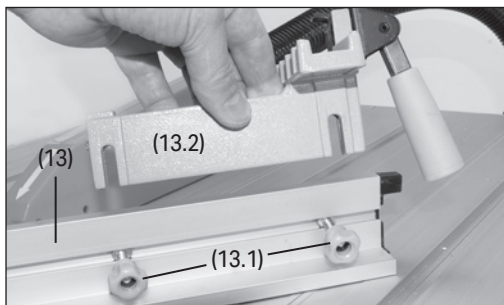


Fig.9

2. Slide the two bolts (13.1) into the fence.
3. Place the handle assembly (13.2) onto the fence – ensuring the two bolts locate into the slots provided.
4. Tighten the bolts to attach the fence to the handle assembly.

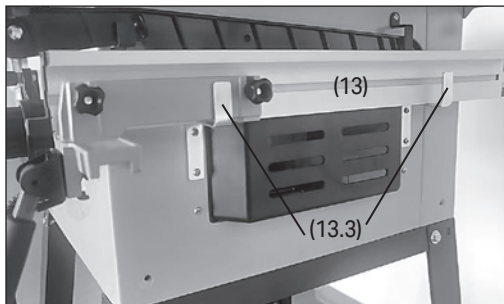


Fig.10

5. Fit the fence (13) into the two brackets (13.3).

## To use the Fence (Fig.11)

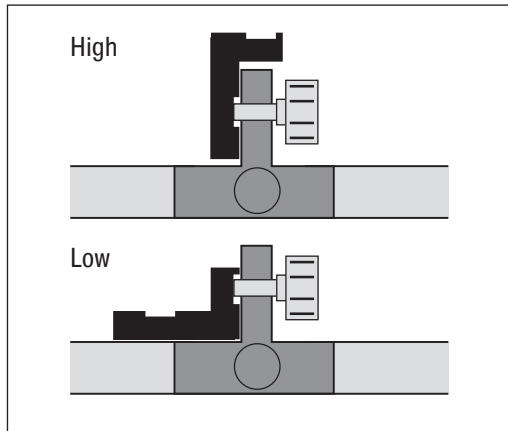


Fig.11

- Lift the handle up and drop the fence assembly into the front slot, then push the handle down to lock the fence in position.
- The rip fence has two location slots to allow the fence to be attached in a 'High' or 'Low' position.
  - For standard ripping the fence should be mounted in the high position.
  - For operations involving thinner/flatter material the fence should be mounted in the low position.

**CAUTION!** The rip fence must be parallel to the blade to minimise the danger of kickback.

## 6.6 Dust Extraction (Fig.12 – Fig.13)

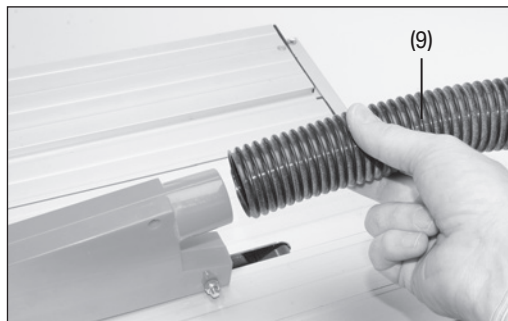


Fig.12

- Fit the dust extraction hose (9) onto the blade guard.

- The dust outlet (9.1) must be connected to a dust extraction device. Due to the outlet diameter an adaptor may be required.

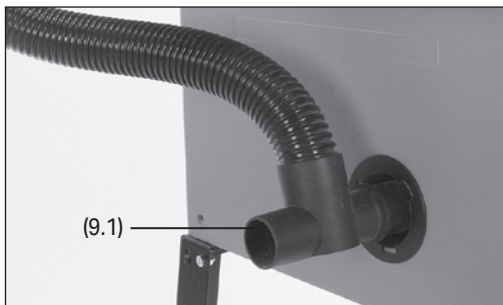


Fig.13

- Inhalation of dust particles may be detrimental to health. For work involving exposure to fine wood dust a FFP2 mask must **ALWAYS** be worn.

## 6.7 Mounting the Table Saw

**Important:** If the saw is to be a permanent fixture it should be situated in an area with adequate lighting and a suitable power supply is close by.

- **DO NOT** place it where you will be working in your own shadow or where an extension is required – these are hazardous in a workshop environment.

## 6.8 Floor Stand (Fig.14 – Fig.16)

- A dedicated floor stand is available for the table saw – Stock No: 82572. Visit [drapertool.com](http://drapertool.com) for more details.
- The assembled stand legs are attached to the table saw using the same fixings supplied for the table support feet. The mounting brackets (18) are located at each corner on the underside of the table.

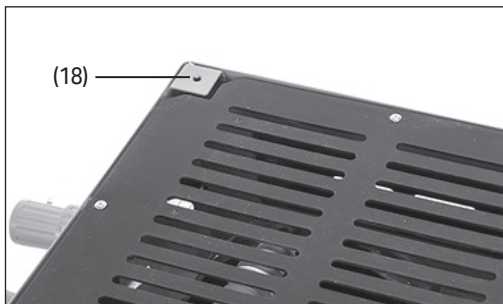


Fig.14

## 6. Assembly Instructions

EN

1. Place the assembled floor stand in position on the underside of the table saw – ensuring the holes in the top of the stand align with the holes in the mounting brackets (18).
2. Screw the hex bolts (18.1) and washers (18.2) into the mounting brackets (18) and secure using the hex key supplied.
3. Fit the black rubber caps (18.3) over each bolt.

Draper Saw Stand: Stock No. 82572, available separately.



Fig.15

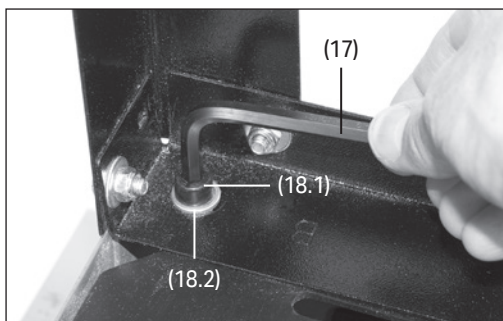


Fig.16

# 7. Setting Up the Table Saw

## 7.1 Changing the Blade Height (Fig.17 – Fig.18)

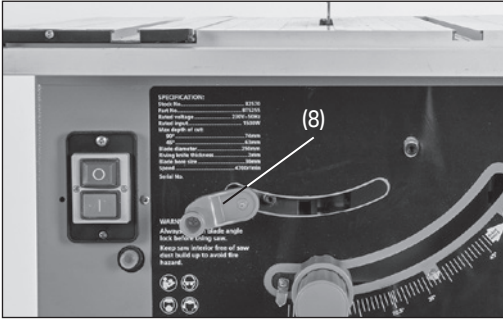


Fig.17

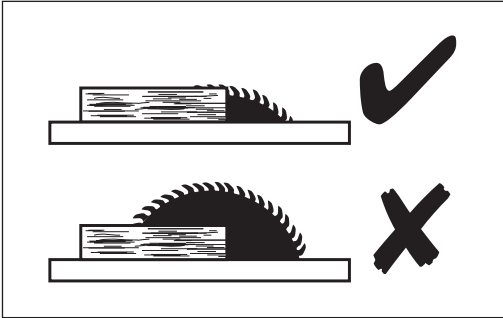


Fig.18

- Turn the blade height handle (8) to adjust the blade to the required height.
- The saw blade must be set approximately 5mm above the top of the workpiece. Any more exposure of the blade will increase the risk of kickback.

## 7.2 Changing the Blade Angle (Bevel Cutting) (Fig.19)

- Turn the blade adjustment dial (7) to adjust the blade angle from 0 - 45°.
  - Loosen the blade angle locking collar (6).
  - Rotate the adjusting dial (7) along the scaled ruler to the required angle.
  - When the correct angle is reached, tighten the collar to lock in place.

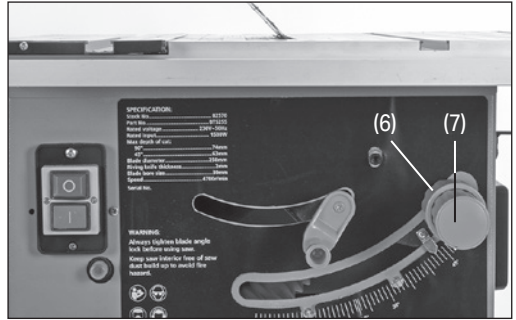


Fig.19

## 7.3 Mitre Gauge Adjustment (Fig.20)

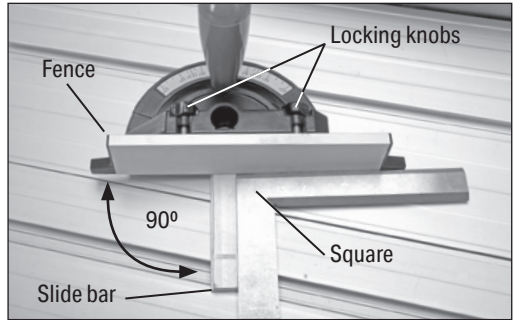


Fig.20

- The mitre gauge can be used for most application but for greater accuracy use a protractor or other measuring device when setting the cutting angle.
- Test the accuracy of the angle on a piece of scrap material before cutting the workpiece.
- When using the left groove – hold the workpiece firmly against the mitre gauge with your left hand and push with your right hand.
- When using the right groove – hold the workpiece firmly against the mitre gauge with your right hand and push with your left hand.

**⚠ WARNING! The rip fence must be removed from the table when using the mitre gauge.**

## 8.1 Ripping (Fig.21)



Fig.21

1. Secure the rip fence to the table.
2. Remove the mitre gauge.
3. Raise the blade to 5mm higher than the top of the workpiece.
4. Hold the workpiece flat on the table against the fence. Keep the workpiece about 25mm back from the blade.

**CAUTION!** The workpiece must have a straight edge against the fence and must not be warped, twisted or bowed.

5. Keep both hands away from the blade and the path of the blade.
  6. Turn the **ON/OFF** switch (4) to the **ON/I** position and allow the blade to reach full speed.
  7. Keep the workpiece against the table and fence, slowly feed the workpiece towards the saw blade.
  8. Stand at the front of the table with your body to one side of the blade when feeding the wood. This will reduce the risk of kickback and injury.
  9. Use the push stick (11) to continue to push the workpiece until clear of the guard and falls off the rear of the table.
- **DO NOT** overload the motor.
  - **NEVER** try to pull a workpiece back while the blade is turning. **ALWAYS** switch off and allow the blade to stop before sliding the workpiece out.

## 8.2 Bevel Ripping

- Operate the same way as ripping (see 8.1).
- Set the blade angle as required – greater than 0°.

**WARNING!** Only operate with the workpiece and rip fence on the right side of the blade to reduce the risk of kickbacks.

## 8.3 Cross Cutting (Fig.22)



Fig.22

1. Remove the rip fence and fit the mitre gauge in the table slot.
2. Set the blade height 5mm above the workpiece top.
3. Hold the workpiece firmly against the mitre gauge with both hands.
4. Start the saw and allow the blade to reach full speed.
5. Grip the workpiece firmly against the guide and push flat against the table. Slowly slide the wood through the blade.

## 8.4 Bevel Cross Cutting (Fig.23)



Fig.23

- Operate the same way as cross cutting (see 8.3).
- Set the blade angle as required – greater than 0°.

**WARNING!** Only operate with the workpiece and mitre guide on the right side of the blade.

### 8.5 Mitre Cutting (Fig.24)

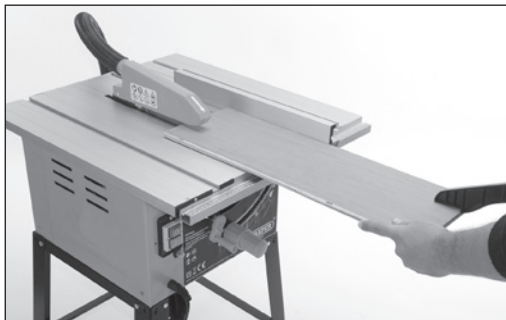


Fig.24

- Operate the same way as cross cutting (see 8.3).
- Set the mitre guide at any angle other than 90°.

### 8.6 Compound Mitre Cutting (Fig.25)



Fig.25

- This is a combination of bevel cross cutting and mitre cutting. Follow the instructions for both mitre and bevel crossing cutting.

### 8.7 Ripping Small/Flat Wood Pieces

- Ripping small pieces of wood is not recommended. **DO NOT** have your hands close to the blade.
- If a small piece requires ripping, use the push stick provided to hold the workpiece in place, keep your hands away from the blade and set the rip fence up into the lowest position.

### 8.8 Workpiece Support (Fig.26)



Fig.26

- Longer pieces need extra support for example use a roller stand (visit [drapertools.com](http://drapertools.com) for details regarding buying options).
- The supports should be placed to the side for wider material to prevent the workpiece from sagging or kicking up.
- The support should allow the workpiece to lay flat on the table during cutting operation.

**Important:** ALWAYS switch off and unplug before changing parts/accessories, making any adjustments, cleaning or carrying out any maintenance.

## 9.1 General Maintenance

- Regular inspection and cleaning will reduce the necessity for maintenance operations and will keep your saw table in good working condition.
- Check the saw blade and guard, adjustments and table fixings before each use.

## 9.2 Replacing the Blades (Fig.27)

- Replace the blades with recommended compatible 250mm TCT wood blades (Stock No: 21678, 21680 or 21681 – visit [Drapertools.com](http://Drapertools.com) for buying options).

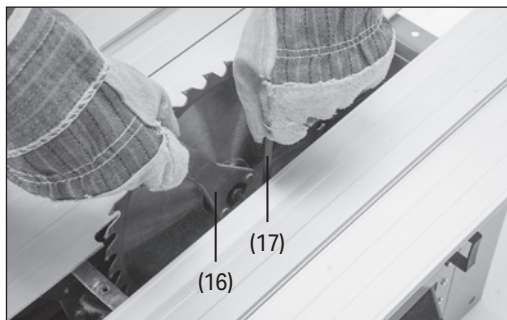


Fig.27

1. Raise the blade to full height and remove the blade guard.
  2. Remove the table insert to access the motor spindle on which the saw blade is fixed.
  3. Use the pin spanner (16) and hex key (17) to hold the blade outer flange in position and loosen the blade locking nut in an anticlockwise direction.
- **DO NOT** use saw blades which are damaged or distorted.
  - Only use saw blades that are recommended.
  - Ensure that the selected saw blade is suitable for the material to be cut.



**WARNING!** When changing the saw blade ensure that the width of the blade groove cut is not less than and the thickness of the saw body is not greater than the thickness of the riving knife.

## 9.3 Replacing the Motor Brushes

(Fig.28 – Fig.29)



**WARNING!** ALWAYS disconnect the saw from the power supply before attempting to replace the brushes.

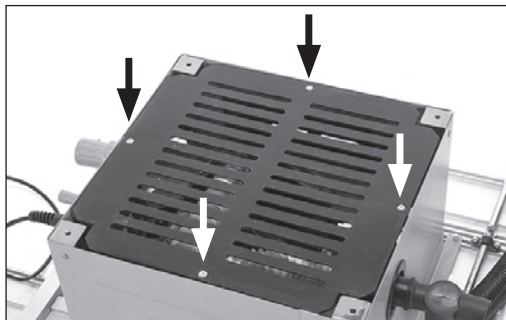


Fig.28

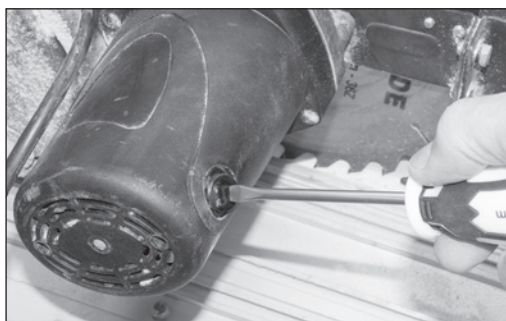


Fig.29

1. Lower the blade to the minimum height and remove the blade guard.
  2. Turn the table over and remove the four screws and lift off the grille base.
  3. Unscrew and remove the brush caps (one on either side of the motor housing). Then remove the brush with the spring attached.
  4. Carefully insert the replacement brushes and replace the caps. Then refit the base and secure with the screws.
- **ALWAYS** replace both brushes at the same time.

## 9.4 Troubleshooting

Problem	Possible Cause	Remedy
Saw will not operate.	Saw not plugged in.	Plug in and switch on.
	Fuse blown in plug.	Check and replace fuse if required.
	Cord or plug damaged.	If the power supply cord or plug is damaged, it must be replaced by Draper Tools, an authorised service agent or similarly qualified personnel in order to avoid a hazard.
45° or 90° rip cuts not accurate.	Angle pointer not accurately set.	Check blade with protractor and adjust pointer to zero.
Material pinches blade when ripping.	Rip fence not aligned with blade.	Check and adjust rip fence.
	Warped wood and edge not straight against fence.	Selected another piece of wood.
Material binding on riving knife.	Riving knife not aligned correctly with blade.	Check and align riving blade.
Poor cutting performance.	Blade blunt.	Replace saw blade.
	Blade mounted backwards.	Reorientate blade.
	Gum or pitch on blade.	Remove blade and clean with white spirit and coarse steel wool.
	Incorrect blade for workpiece.	Select correct blade.
Material kicked back from blade.	Rip fence not aligned.	Align rip fence with blade.
	Riving knife not fitted or aligned with blade.	Fit riving knife (with guard) and align with blade.
	Feeding workpiece without rip fence.	Install and use rip fence.
	Dull blade.	Replace blade.
	Material released before going passed the blade.	Ensure material is pushed all the way past the blade before releasing the workpiece.
	Blade angle locking knob not tightened.	Tighten the knob.
Blade does not tilt or raise freely.	Sawdust and dirt in raising and tilting mechanism.	Vacuum out loose dust and debris.
Excessive vibrations.	Saw not mounted securely to stand or workbench.	Check and tighten all fixings.
	Located on uneven floor.	Reposition on a flat level surface. Fasten to floor if necessary.
	Saw blade damaged.	Replace blade.
45° and 90° cross cuts not accurate.	Mitre gauge not adjusted correctly.	Adjust mitre gauge.

## 10. Spares, Returns and Disposal

EN

For spare parts, servicing, and repair and replacement options, please contact the Draper Tools Product Helpline for details of your nearest authorised agent.

Draper Tools will endeavour to hold any spare parts, if applicable, for seven years from the date that it sells the final matching stock item.

Any servicing or repairs carried out by unauthorised personnel or installation of spare parts not supplied by Draper Tools will invalidate your warranty.

At the end of its working life, dispose of the product responsibly and in line with local regulations. Recycle where possible.

- **DO NOT** dispose of this product with domestic waste; most local authorities provide appropriate recycling facilities.



## 11. Warranty

EN

This warranty covers parts and labour for 12 months from date of purchase – visit [drapertools.com/warranty](http://drapertools.com/warranty) for more information.. However, if the tools are hired out, the warranty period is 90 days from the date of purchase.

Should the tool develop a fault within the warranty period, return the complete tool to the place of purchase or contact Draper Tools directly. Proof of purchase must be provided.

This warranty does not apply to any consumable parts or normal wear and tear.

It also does not cover any damage caused by misuse, careless or unsafe handling, modifications, or repairs carried out by any personnel other than an authorised Draper Tools repair agent.

Please note that this guarantee is in addition to and does not affect your statutory rights.

### Draper Tools

# 12. Explanation of Symbols



Read the instruction manual



Wear face mask and safety glasses



Wear ear defenders



Keep out of the reach of children



**Warning!**



**DANGER** of electrocution



**DO NOT** use without blade guard fitted



**DO NOT** use in damp conditions



**DO NOT** wear loose clothing that could catch in moving parts



Ensure table saw is regularly maintained



Keep hands away from the saw blade



WEEE –

Waste Electrical & Electronic Equipment

Do not dispose of Waste Electrical & Electronic Equipment in with domestic rubbish



European conformity



UK Conformity Assessed



## Contact Details

### **Draper Tools**

Draper Tools Limited  
Hursley Road  
Chandler's Ford  
Eastleigh  
Hampshire  
SO53 1YF  
UK

**Website:** [drapertools.com](http://drapertools.com)

**Email:** [sales@drapertools.com](mailto:sales@drapertools.com)

**Product Helpline:** +44 (0) 23 8049 4344

**Telephone Sales Desk:** +44 (0) 23 8049 4333

**General Enquiries:** +44 (0) 23 8026 6355

### **Draper Tools Europe B.V.**

Oude Graaf 8  
6002 NL  
Weert  
Netherlands

Please contact the Draper Tools Product Helpline for repair and servicing enquiries.